

lenovo

ThinkServer RD440
User Guide and Hardware Maintenance
Manual



ThinkThink**ThinkServer**Think

Machine Types: 70AE, 70AF, 70AG, 70AH, 70AJ, 70AK, 70B2, and
70B3

Note: Before using the information and the product it supports, be sure to read and understand the following:

- The *Read Me First* that comes with your product
- “Safety information” on page iii
- Appendix A “Notices” on page 209

First Edition (December 2013)

© Copyright Lenovo 2013.

LIMITED AND RESTRICTED RIGHTS NOTICE: If data or software is delivered pursuant a General Services Administration “GSA” contract, use, reproduction, or disclosure is subject to restrictions set forth in Contract No. GS-35F-05925.

Contents

Safety information	iii	Setup Utility program interface	64
Chapter 1. General information	1	Setting the system date and time	66
Introduction	1	Using passwords	67
Server documentation	2	Selecting a startup device	68
Chapter 2. Server setup road map	5	Configuring the TPM function	68
Chapter 3. Product overview	7	Setting the mode of the Ethernet connectors	69
Server package	7	Exiting the Setup Utility program	69
Features	8	Updating or recovering the BIOS	69
Specifications	12	Using the ThinkServer EasyStartup program	71
Software	12	Features of the ThinkServer EasyStartup program	72
ThinkServer EasyStartup	12	Starting the ThinkServer EasyStartup program	72
ThinkServer EasyUpdate Firmware Updater	13	Using the ThinkServer EasyStartup program on a Windows operating system	74
Lenovo ThinkServer EasyManage	13	Configuring RAID	74
BIOS and TMM update utilities	13	About RAID	75
RAID configuration utilities	13	Configuring RAID using the ThinkServer EasyStartup program	76
Remote management software	13	Configuring the ThinkServer RAID 300	76
ThinkServer Smart Grid Technology	13	Configuring the advanced SATA/SAS hardware RAID	82
Diagnostic programs	14	Configuring the Ethernet controllers	82
Locations	14	Updating the firmware	83
Machine type, model, and serial number label	14	Using the Firmware Updater program	83
Front view of the server	16	Using the Lenovo ThinkServer EasyManage program	83
Front panel	22	Chapter 6. Installing, removing, or replacing hardware	85
Diagnostic module	24	Guidelines	85
Rear view of the server	29	Precautions	85
Server components	34	Handling static-sensitive devices	86
Hot-swap hard-disk-drive status LEDs	39	System reliability guidelines	87
RAID card	40	Working inside the server with the power on	87
Expander card	42	Removing the server cover	87
Hot-swap hard-disk-drive backplane	43	Removing and reinstalling the front bezel	89
Connecting the cables	47	Installing, removing, or replacing hardware	90
System board components	52	Removing and reinstalling the rack handles	91
System board jumpers and switches	55	Removing and reinstalling the cooling shroud	95
System board LEDs	59	Removing and reinstalling the left cage	97
Chapter 4. Turning on and turning off the server	61	Installing or removing a memory module	99
Turning on the server	61	Installing or removing the RAID card	105
Turning off the server	61	Installing or removing the ThinkServer RAID 500 Upgrade Key for Advanced RAID	108
Chapter 5. Configuring the server	63	Installing or removing the ThinkServer RAID 700 Battery	111
Using the Setup Utility program	63		
Starting the Setup Utility program	63		
Viewing information in the Setup Utility program	63		

Installing or removing the expander card	114
Installing or removing an Ethernet card	118
Installing or removing the ThinkServer RAID 300 Upgrade Key for Advanced RAID	123
Installing or removing the ThinkServer Management Module Premium	127
Installing or removing the ThinkServer Trusted Platform Module	130
Installing or replacing a hot-swap redundant power supply	133
Installing or replacing a heat sink	137
Installing or replacing the microprocessor	139
Installing or replacing a 2.5-inch solid-state drive	147
Installing or replacing the optical drive	154
Replacing the ThinkServer RAID Super Capacitor Module.	159
Installing or replacing a hot-swap hard disk drive	162
Replacing the hot-swap hard-disk-drive backplane.	166
Replacing the riser card assembly 1	172
Replacing the riser card assembly 2	174
Replacing the front panel board	176
Replacing the diagnostic module	180
Replacing a system fan	183
Replacing the coin-cell battery	185
Replacing the system board	187
Completing the parts replacement	195
Reinstalling the server cover and reconnecting cables	195
Updating the server configuration	198
Chapter 7. Troubleshooting and diagnostics	199
Troubleshooting procedure	199
Viewing the status and diagnostic LEDs.	199
Using a diagnostic program	200
Viewing the system event log	200
Basic troubleshooting tables	200
ThinkServer EasyStartup program problems	200

Optical drive problems.	201
Hard-disk-drive problems	202
Memory module problems	203
Keyboard, mouse, and USB device problems	204

Chapter 8. Getting information, help, and service 205

Information resources	205
Using the documentation.	205
ThinkServer Web site	205
Lenovo Support Web site.	205
Help and service	206
Before you call	206
Calling for service.	206
Using other services	207
Purchasing additional services	207

Appendix A. Notices 209

Trademarks	210
Important notes	210
Polyvinyl Chloride (PVC) cable and cord notice	210
Recycling information	210
Battery return program.	211
Requirement for batteries containing perchlorate	211
Particulate contamination	212
Important WEEE information	212
European Union RoHS	213
German Ordinance for Work gloss statement.	213
Export classification notice	213
Electronic emission notices.	213
Federal Communications Commission (FCC) Statement.	213
Eurasian compliance mark	215
ENERGY STAR model information	215

Index. 217

Safety information

Note: Before using the product, be sure to read and understand the multilingual safety instructions on the documentation DVD that comes with the product.

قبل استخدام المنتج، تأكد من قراءة إرشادات الأمان متعددة اللغات وفهمها، وتوجد هذه الإرشادات في قرص DVD الوثائقي الذي يأتي مع المنتج.

Antes de usar o produto, leia e entenda as instruções de segurança multilíngues no DVD de documentação que o acompanha.

Преди да използвате този продукт, задължително прочетете и вникнете в многоезичните инструкции за безопасност в DVD диска с документация, който се предоставя с продукта.

Prije upotrebe ovog proizvoda obavezno pročitajte višejezične sigurnosne upute koje se nalaze na DVD-u s dokumentacijom koji dobivate uz proizvod.

Před použitím produktu je třeba si přečíst a porozumět bezpečnostním pokynům uvedeným na disku DVD s dokumentací, který je dodáván s produktem.

Før du bruger produktet, skal du sørge for at læse og forstå de sikkerhedsforskrifter, der findes på flere sprog, på den dokumentations-dvd, der følger med produktet.

Lue tuotteen mukana toimitetulla DVD-tietolevyllä olevat monikieliset turvaohjeet ennen tämän tuotteen käyttöä.

Avant d'utiliser le produit, veuillez à bien lire et comprendre les instructions de sécurité multilingues figurant sur le DVD de documentation fourni avec le produit.

Πριν χρησιμοποιήσετε το προϊόν, βεβαιωθείτε ότι έχετε διαβάσει και κατανοήσει τις οδηγίες ασφάλειας, οι οποίες είναι διαθέσιμες σε διάφορες γλώσσες στο DVD τεκμηρίωσης που συνοδεύει το προϊόν.

Vor Verwendung des Produkts sollten Sie unbedingt die mehrsprachigen Sicherheitsanweisungen auf der Dokumentations-DVD lesen, die im Lieferumfang des Produkts enthalten ist.

לפני השימוש במוצר, הקפידו לקרוא ולהבין את הוראות הבטיחות, המופיעות בשפות שונות ב-DVD התיעוד המצורף למוצר.

A termék használata előtt mindenképpen olvassa el és értelmezze a termékhez kapott dokumentációs DVD lemezen található, több nyelven elolvasható biztonsági előírásokat.

Prima di utilizzare il prodotto, accertarsi di leggere e comprendere le informazioni sulla sicurezza multilingue disponibili sul DVD di documentazione fornito con il prodotto.

製品をご使用になる前に、製品に付属の Documentation DVD に収録されているマルチリンガルの「安全に正しくご使用いただくために」を読んで理解してください。

제품을 사용하기 전에 제품과 함께 제공되는 문서 DVD의 다국어 안전 지침을 주의 깊게 읽어보십시오.

Voordat u het product gebruikt, moet u ervoor zorgen dat u de meertalige veiligheidsinstructies op de documentatie-dvd van het product hebt gelezen en begrijpt.

Przed skorzystaniem z produktu należy zapoznać się z wielojęzycznymi instrukcjami bezpieczeństwa znajdującymi się na płycie DVD z dokumentacją dostarczoną wraz z produktem.

Antes de utilizar o produto, leia atentamente as instruções de segurança multilíngues que constam no DVD de documentação fornecido com o produto.

Înainte de a utiliza produsul, asigurați-vă că ați citit și înțeles instrucțiunile de siguranță în mai multe limbi de pe DVD-ul cu documentație care însoțește produsul.

Før du bruker produktet, må du lese og forstå den flerspråklige sikkerhetsinformasjonen på DVDen med dokumentasjon som følger med produktet.

Прежде чем использовать этот продукт, внимательно ознакомьтесь с инструкциями по технике безопасности на разных языках, которые можно найти на DVD-диске с документацией в комплекте с продуктом.

在使用本产品之前，请务必先阅读和了解产品附带的文档 DVD 中的多语言安全说明。

Pre nego to upotrebite proizvod obavezno paljivo pročitajte i prouite viejziko uputstvo za bezbednost na dokumentacionom DVD-u koji ste dobili uz proizvod.

Pred pouvanm produktu si pretajte viacjazyn bezpenostn pokyny na disku DVD s dokumentciou dodanom s produktom.

Preden začnete uporabljati izdelek, je pomembno, da preberete in razumete večjezična varnostna navodila na DVD-ju z dokumentacijo, ki ste ga prejeli skupaj z izdelkom.

Antes de utilizar el producto, asegúrese de leer y comprender las instrucciones de seguridad multilingües del DVD de documentación que se proporciona con el producto.

Var noga med att läsa säkerhetsinstruktionerna på dokumentations-DVD-skivan som följer med produkten innan du börjar använda produkten.

使用本產品之前，請務必閱讀並瞭解產品隨附的文件 DVD 上的多國語言版本安全資訊。

Bu ürünü kullanmadan önce, ürünle birlikte gönderilen belge DVD'si üzerindeki çok dil içeren güvenlik yönergelerini okuyup anladığınızdan emin olun.

Перед використанням цього продукту уважно ознайомтеся з інструкціями з техніки безпеки на різних мовах, що можна знайти на DVD-диску з документацією в комплекті з продуктом.

Important: For translated versions of the caution or danger statement, refer to the *Safety, Warranty, and Support Information* document.

Ensure that you read and understand all caution and danger statements in this document before you perform the procedures. Read and understand any additional safety information that is included with the server or optional device before you install, remove, or replace the device.

Statement 1



DANGER

Electrical current from power, telephone, and communication cables is hazardous.

To avoid a shock hazard:

- Do not connect or disconnect any cables or perform installation, maintenance, or reconfiguration of this product during an electrical storm.
- Connect all power cords to a properly wired and grounded electrical outlet.
- Ensure that all power cord connectors are securely and completely plugged into receptacles.
- Connect to properly wired outlets any equipment that will be attached to this product.
- When possible, use one hand only to connect or disconnect signal cables.
- Never turn on any equipment when there is evidence of fire, water, or structural damage.
- Disconnect the attached power cords, telecommunications systems, networks, and modems before you open the device covers, unless instructed otherwise in the installation and configuration procedures.
- Connect and disconnect cables as described in the following table when installing, moving, or opening covers on this product or attached devices.

To connect:

1. Turn everything OFF.
2. First, attach all cables to devices.
3. Attach signal cables to connectors.
4. Attach power cords to outlet.
5. Turn devices ON.

To disconnect:

1. Turn everything OFF.
2. First, remove power cords from outlet.
3. Remove signal cables from connectors.
4. Remove all cables from devices.

Statement 2



DANGER

Danger of explosion if battery is incorrectly replaced.

When replacing the lithium coin cell battery, use only the same or an equivalent type that is recommended by the manufacturer. The battery contains lithium and can explode if not properly used, handled, or disposed of.

Do not:

- Throw or immerse into water
- Heat to more than 100°C (212°F)
- Repair or disassemble

Dispose of the battery as required by local ordinances or regulations.

Statement 3



CAUTION:

When laser products (such as CD-ROMs, DVD drives, fiber optic devices, or transmitters) are installed, note the following:

- Do not remove the covers. Removing the covers of the laser product could result in exposure to hazardous laser radiation. There are no serviceable parts inside the device.
- Use of controls or adjustments or performance of procedures other than those specified herein might result in hazardous radiation exposure.

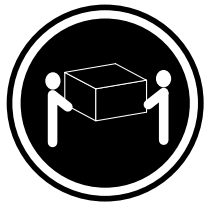


DANGER

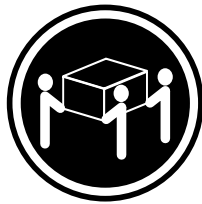
Some laser products contain an embedded Class 3A or Class 3B laser diode. Note the following:

Laser radiation when open. Do not stare into the beam, do not view directly with optical instruments, and avoid direct exposure to the beam.

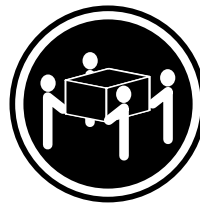
Statement 4



≥ 18 kg (39.7 lb)
< 32 kg (70.5 lb)



≥ 32 kg (70.5 lb)
< 55 kg (121.2 lb)



≥ 55 kg (121.2 lb)
< 100 kg (220.5 lb)

CAUTION:

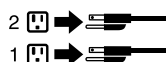
Use safe practices when lifting.

Statement 5



CAUTION:

The power control button on the device and the power switch on the power supply do not turn off the electrical current supplied to the device. The device also might have more than one power cord. To remove all electrical current from the device, ensure that all power cords are disconnected from the power source.



Statement 6



CAUTION:

If you install a strain-relief bracket option over the end of the power cord that is connected to the device, you must connect the other end of the power cord to a power source that is easily accessible in case it needs to be disconnected.

Statement 7



CAUTION:

If the device has doors, ensure that you remove or secure the doors before moving or lifting the device to protect against personal injury. The doors will not support the weight of the device.

Statement 8



CAUTION:

Never remove the cover on a power supply or any part that has the following label attached.



Hazardous voltage, current, and energy levels are present inside any component that has this label attached. There are no serviceable parts inside these components. If you suspect a problem with one of these parts, contact a service technician.

Statement 9



CAUTION:

Disconnect the hot-swap fan cables before removing the fan from the device to protect against personal injury.

Statement 10



CAUTION:

The following label indicates a sharp-edge hazard.



Statement 11



CAUTION:

The following label indicates a potential heat hazard.



Statement 12



DANGER

Overloading a branch circuit is a potential fire hazard and a shock hazard under certain conditions. To avoid these hazards, ensure that your system electrical requirements do not exceed branch current ratings at the installation site.

Statement 13



CAUTION:

Ensure that the rack is secured properly to avoid tipping when the server unit is extended on the rails.

Statement 14



CAUTION:

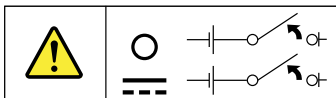
Some accessory or option board outputs exceed Class 2 or limited power source limits. You must install the appropriate interconnecting cabling in accordance with your local electrical code requirements.

Statement 15



CAUTION:

The power-control button on the device may put the device in standby mode instead of turning off the device. In addition, the device might have multiple connections to dc power. To remove all electrical current from the device, ensure that all connections to dc power are disconnected at the dc power input terminals.



Statement 16



CAUTION:

To reduce the risk of electric shock or energy hazards:

- This equipment must be installed by trained service personnel in a restricted-access location, as defined by your local electrical code and the latest edition of IEC 60950.
- Connect the equipment to a reliably earthed safety extra low voltage (SELV) source. An SELV source is a secondary circuit that is designed so that normal and single fault conditions do not cause the voltages to exceed a safe level (60 V direct current).
- The branch circuit overcurrent protection must be rated in accordance with local electrical code requirements.
- Use 1.3 mm² or 16 American Wire Gauge (AWG) copper conductor only, not exceeding 3 meters in length.
- Torque the wiring-terminal screws to 1.4 newton-meters or 12 inch-pounds.
- Provide a readily available, approved and rated disconnect device in the field wiring.

Statement 17



CAUTION:

This product contains a Class 1M laser. Do not view directly with optical instruments.

Statement 18



CAUTION:

Do not place any object on top of rack-mounted products.

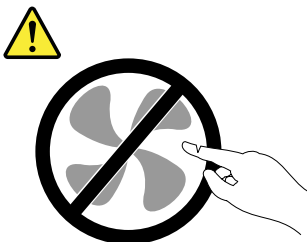


Statement 19



CAUTION:

Hazardous moving parts. Keep fingers and other body parts away.



Statement 20



CAUTION:

A lithium ion battery is provided. To avoid possible explosion, do not burn the battery. Replace the battery only with the Lenovo-approved part. Recycle or discard the battery as instructed by local regulations.

Chapter 1. General information

This chapter provides some general information about your product.

This chapter contains the following items:

- “Introduction” on page 1
- “Server documentation” on page 2

Introduction

This documentation for your Lenovo® ThinkServer® product contains information about the server features, specifications, component locations, configuration instructions, hardware replacement procedures, and basic troubleshooting and diagnostics.

Your server comes with a documentation DVD that contains various server documents to help you use and maintain the server. Meanwhile, your server comes with a *ThinkServer EasyStartup* DVD that provides a convenient solution for configuring the server and installing an operating system.

The Lenovo Limited Warranty (LLW) contains the warranty terms that apply to the product you purchased from Lenovo. Read the LLW on the documentation DVD that comes with your server. A printable generic version of the latest LLW also is available in more than 30 languages at http://www.lenovo.com/warranty/llw_02. If you cannot obtain the LLW through the documentation DVD or Lenovo Web site, contact your local Lenovo office or reseller to obtain a printed version of the LLW, free of charge.

For warranty service, consult the worldwide Lenovo Support telephone list. Telephone numbers are subject to change without notice. The most up-to-date telephone list for Lenovo Support is always available on the Web site at <http://www.lenovo.com/support/phone>. If the telephone number for your country or region is not listed, contact your Lenovo reseller or Lenovo marketing representative.

To obtain the most up-to-date information about the server, go to:
<http://www.lenovo.com/thinkserver>

Lenovo maintains pages on the World Wide Web, where you can get the latest technical information and download documentation or device drivers and updates. To access the Lenovo Support Web site, go to:
<http://www.lenovo.com/support>

Record information about your server in the following table. You will need the information if you ever need to have your server serviced.

For where to find the product information label on the chassis, see “Machine type, model, and serial number label” on page 14.

Product name	_____
Machine type and model (MT-M)	_____
Serial number (S/N)	_____
Date of purchase	_____

You can register your server with Lenovo by following the instructions at:
<http://www.lenovo.com/register>

When you register your server, information is entered into a database, which enables Lenovo to contact you in case of a recall or other severe problem. After you register your server with Lenovo, you will receive quicker service when you call Lenovo for help. In addition, some locations offer extended privileges and services to registered users.

Server documentation

This topic provides general descriptions of the various documentation for your server and instructions on how to obtain all the documentation.

Printed documents

The following documents are printed out and contained in your server package.

- *Read Me First*

This is a multilingual document you should read first. This document guides you to read the complete warranty, support, and safety information on the documentation DVD that comes with your server before using the product. This document also provides information about how to find the most up-to-date information on the Lenovo Support Web site.

- *Rack Installation Instructions*

This document provides instructions on how to install your server into a standard rack cabinet by using the rail kit shipped with the server.

Note: A printed English version of this document is included in your server package. PDF versions of other languages are provided on the documentation DVD that comes with the server.

Documentation DVD

The documentation DVD, which comes with your server, contains various documents for your server in Portable Document Format (PDF) and HyperText Markup Language (HTML). The documentation DVD is not bootable. To view the documents on the DVD, you will need a computer with a Web browser and the Adobe Reader program, which is available for download at:
<http://www.adobe.com>

To start the documentation DVD, insert the DVD into the optical drive. The DVD is AutoPlay enabled and starts automatically in most Microsoft® Windows® environments. If the DVD fails to start or if you are using a Linux® operating system, open the launch.htm file located in the root directory of the DVD.

Note: Lenovo maintains pages on the World Wide Web, where you can get the latest technical information and download documentation or device drivers and updates. Some information in the documents on the documentation DVD might change without notice after the first release of the DVD. You can always obtain all the most up-to-date documentation for your server from the Lenovo Web site at:
<http://www.lenovo.com/UserManuals>

The following documents are on the documentation DVD that comes with your server:

- *Safety, Warranty, and Support Information*

This is a multilingual document that includes all the safety statements for your product in more than 30 languages. Be sure to read and understand all the safety statements before using the product. This document also includes the Lenovo warranty statement, Customer Replaceable Units (CRUs) information, and information about how to contact the Lenovo Customer Support Center.

- *Lenovo License Agreement*

This document includes the terms and conditions of the Lenovo License Agreement.

- *User Guide and Hardware Maintenance Manual*

This document provides detailed information to help you get familiar with your server and help you use, configure, and maintain your server. Some information in this document, if specified, is intended for service technicians only.

- *Rack Installation Instructions*

This document provides instructions on how to install your server into a standard rack cabinet by using the rail kit shipped with the server.

- *ThinkServer Management Module User Guide*

This document provides information about server remote management. This document is in English only. You might find this document on the documentation DVD that comes with your server. If not, download it from the Lenovo Web site at:
<http://www.lenovo.com/UserManuals>

Note: To obtain advanced remote management functions, install a ThinkServer Management Module Premium (TMM Premium) on the TMM Premium connector on the system board. See “Installing or removing the ThinkServer Management Module Premium” on page 127.

- *MegaRAID SAS Software User Guide*

This document provides information about Redundant Array of Independent Disks (RAID) and how to use the utility programs to configure, monitor, and maintain your server RAID and related devices. This document is in English only.

Note: Refer to this document for hardware RAID information if you have a required RAID card installed in the server. See “Installing or removing the RAID card” on page 105. For information about the ThinkServer RAID 300 (also known as the onboard SAS software RAID), see “Configuring the ThinkServer RAID 300” on page 76.

Supplementary documents

Depending on your server, your documentation DVD might contain supplementary documents provided by Lenovo, including documents for Ethernet cards, host bus adapters (HBAs), or other optional parts.

Chapter 2. Server setup road map

This chapter provides a general road map to guide you through setting up your server.

The server setup procedure varies depending on the configuration of the server when it was delivered. In some cases, the server is fully configured and you need to connect the server to the network and an ac power source, and then you can turn on the server. In other cases, the server needs to have hardware devices installed, requires hardware and firmware configuration, and requires an operating system to be installed.

The general procedure for setting up your server is:

1. Unpack the server package. See “Server package” on page 7.
2. Install any required hardware or server options. See the related topics in Chapter 6 “Installing, removing, or replacing hardware” on page 85.
3. Install the server into a standard rack cabinet by using the rail kit shipped with the server. See the *Rack Installation Instructions* that comes with the server.
4. Connect the Ethernet cables and power cords to the server. See “Rear view of the server” on page 29 to locate the connectors.
5. Turn on the server to verify operation. See “Turning on the server” on page 61.
6. Review the Unified Extensible Firmware Interface (UEFI) Basic Input Output System (BIOS) settings and customize as needed. See “Using the Setup Utility program” on page 63.
7. Configure RAID and install the operating system and device drivers. See “Using the ThinkServer EasyStartup program” on page 71 and “Configuring RAID” on page 74.
8. Install any additional drivers required for added features. Refer to the instructions that come with the hardware option.
9. Configure Ethernet settings in the operating system by referring to the operating system help. This step is not required if the operating system was installed using the ThinkServer EasyStartup program.
10. Check for firmware updates. See “Updating the firmware” on page 83.
11. Install management applications and any other applications. Refer to the documentation that comes with the applications that you want to install.

Chapter 3. Product overview

This chapter provides information about the server package, features, specifications, software programs, and component locations.

This chapter contains the following items:

- “Server package” on page 7
- “Features” on page 8
- “Specifications” on page 12
- “Software” on page 12
- “Locations” on page 14

Server package

The server package includes the server, power cords, a rail kit, printed documentation, a documentation DVD, and software media.

Note: Depending on the model, your server might look slightly different from the following illustration.

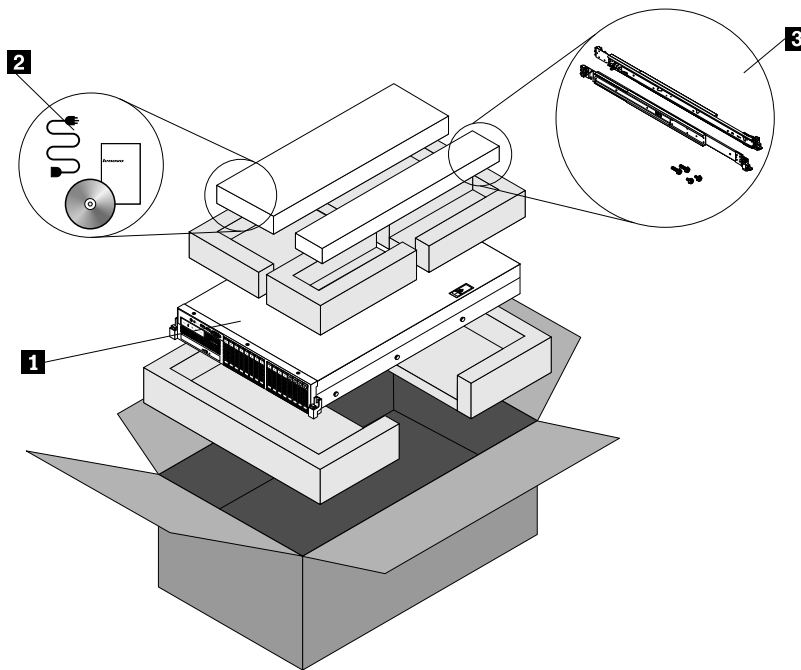


Figure 1. Server package

- 1** Server
- 2** Material box (including power cords, printed documentation, a documentation DVD, and software media)
- 3** Rail kit

Features

This topic provides general information about the server features for various models. Depending on your specific model, some features might vary or be unavailable. For information about your specific model, use the Setup Utility program. See “Viewing information in the Setup Utility program” on page 63. You also can refer to the *Personal Systems Reference* document for ThinkServer products at:

<http://www.lenovo.com/psref/>

Microprocessor

One or two Intel® Xeon® microprocessors (internal cache size varies by model)

For a list of ThinkServer microprocessor options, go to:

<http://www.lenovo.com/thinkserver>

Memory

Your server has 12 memory slots. For more information, see “Memory module installation rules” on page 99.

Power supply

One or two 800-watt hot-swap redundant power supplies (Universal input and compliant with 80 PLUS Gold)

System fan

A system fan cage with five hot-swap system fans and one dummy system fan

Internal drive

Internal drives are devices that your server uses to read and store data. The internal drives supported by your server vary by model.

- Hard disk drive
 - Up to eight 3.5-inch hot-swap Serial Advanced Technology Attachment (SATA) or Serial Attached SCSI (SAS) hard disk drives (SCSI is the acronym for Small Computer System Interface) or SATA solid-state drives
 - Up to twelve 3.5-inch hot-swap SATA or SAS hard disk drives or SATA solid-state drives (up to two solid-state drives are supported if you want to install both hard disk drives and solid-state drives into the server)
 - Up to eight 2.5-inch hot-swap SATA or SAS hard disk drives or SATA solid-state drives
 - Up to sixteen 2.5-inch hot-swap SATA or SAS hard disk drives or SATA solid-state drives (up to two solid-state drives are supported if you want to install both hard disk drives and solid-state drives into the server)

Note: The term “2.5-inch hot-swap hard disk drives” or “2.5-inch hard disk drives” hereinafter refers to all the supported types of 2.5-inch hard disk drives, including solid-state drives.

- Optical drive
 - One slim SATA optical drive in some models

Expansion slot

- Two riser card assembly slots on the system board
- Two Peripheral Component Interconnect (PCI) Express card slots on the riser card assembly 1
- Three PCI Express card slots on the riser card assembly 2

For detailed information, see “Rear view of the server” on page 29.

Input/Output (I/O) features

- One serial connector on the rear panel
- One Video Graphics Array (VGA) connector on the front panel in some models and one VGA connector on the rear panel
- Six USB 2.0 connectors (two on the front panel and four on the rear panel)
- Three RJ-45 Ethernet connectors on the rear panel (Ethernet connector 0 is for system management)

For the location information about the connectors, refer to the related topics in “Locations” on page 14.

Video subsystem

An integrated graphics controller in the ThinkServer Management Module (TMM), which also is known as the Baseboard Management Controller (BMC) chip, on the system board to support VGA connectors for connecting video devices

Ethernet connectivity

There are three RJ-45 Ethernet connectors on the rear panel with 10 megabits per second (Mbps), 100 Mbps, or 1000 Mbps network connectivity. The Ethernet connector 0 is for system management by default. However, you also can set the Ethernet connector 1 or 2 for system management use in the Setup Utility program. See “Setting the mode of the Ethernet connectors” on page 69.

For more information, see “Rear view of the server” on page 29.

Reliability, availability, and serviceability

Reliability, availability, and serviceability (hereinafter referred to as RAS) are three important server design features. The RAS features help you to ensure the integrity of the data stored on the server, the availability of the server when you need it, and the ease with which you can diagnose and correct problems.

Your server has the following RAS features:

- **Security features**

- Administrator password and user password to help you protect unauthorized access to the server (see “Using passwords” on page 67)
- Hot-swap redundant power supplies to protect against significant interruption to the operation of the system when a power supply fails (for server models that come with one power supply, you can purchase a hot-swap redundant power supply option from Lenovo and install it into your server as the second power supply for redundancy)
- Redundant Array of Independent Disks (RAID) configuration for improving data storage reliability and fault tolerance (see “Configuring RAID” on page 74)
- Remote monitoring or control by an administrator to provide protection or help
- ThinkServer Trusted Platform Module (TPM), which is a security chip, to help enhance server security

Note: The TPM is only available in some models.

- **Basic system management features**

- Ability to store the power-on self-test (POST) hardware test results
- BIOS Setup Utility program

The BIOS Setup Utility program helps you view the server information and configure the server in the pre-operating system environment. See “Using the Setup Utility program” on page 63.

- TMM (also known as BMC) and Intelligent Platform Management Interface (IPMI) 2.0

The system board platform management subsystem is based on the integrated TMM features. The TMM is a management chip that is integrated on the system board of your server. With the TMM, no matter what condition the server operating system is in and no matter if the server is on or off, as long as the server is connected to network and an ac power source, the interaction with the TMM-controlled servers can be achieved through system network. The user can obtain the server hardware health information and system event log (SEL), and is able to conduct the operations including turning on or off the server, restarting the server, and so on. This part of server management is independent of the operating system and is called out-of-band management.

The system board platform management subsystem consists of the integrated TMM, communication buses, sensors, the BIOS, and server management firmware. It is responsible for error reporting, system power control, thermal monitoring, system fan control, and other management features. The TMM provides system management and monitoring features based on the IPMI 2.0 specification. IPMI helps lower the overall costs of server management. You can find more information about IPMI 2.0 from the Web site of Intel. The TMM also supports some non-IPMI features, such as the Dynamic Host Configuration Protocol (DHCP) and the Platform Environment Control Interface (PECI), to provide more system management functions.

For more information, refer to the *ThinkServer Management Module User Guide*, which is available for download at:

<http://www.lenovo.com/UserManuals>

- Hot-swap feature

Your server supports hot-swap hard disk drives, hot-swap system fans, and hot-swap redundant power supplies. With the hot-swap feature, you can install, remove, or replace a hot-swap device without turning off the server.

- Preboot Execution Environment (PXE)

The Intel PXE technology enables you to start your computers, load an operating system, or deploy executable images from a remote server by using a network interface. The operation can be done independently of local data storage devices (such as hard disk drives) or operating systems.

- RAID

Your server supports onboard SATA software RAID. If a required RAID card is installed, your server also supports advanced SATA/SAS hardware RAID configurations. For detailed information, see “Configuring RAID” on page 74.

- Status light-emitting diodes (LEDs) and diagnostic LEDs

For more information about the LEDs for your server, refer to the related topics in “Locations” on page 14.

- Software programs

For more information about the software programs, see “Software” on page 12.

- Wake on LAN

When the Wake on LAN feature is enabled on a computer that is connected to a LAN, a network administrator can remotely turn on or wake up the computer from a management console using remote network management software. Besides, many other functions, such as data transfer and software updates, can be performed remotely without remote attendance and can be done after normal working hours and on weekends to save time and increase productivity.

- **Advanced system management features**

The advanced system management features are only available when the TMM detects the presence of a ThinkServer Management Module Premium (TMM Premium), which also is known as integrated keyboard, video, and mouse (iKVM) key. The TMM Premium is a remote management module. You can purchase a TMM Premium from Lenovo and install it on the TMM Premium connector (also known as iKVM connector) on the system board of your server to enable the iKVM function and activate the advanced system management features.

For more information about advanced system management, refer to the *ThinkServer Management Module User Guide*, which is available for download at:

<http://www.lenovo.com/UserManuals>

Specifications

This topic lists the physical specifications for your server.

Dimensions

- Width without rack handles: 442 mm (17.4 inches)
- Width with rack handles: 482.4 mm (19 inches)
- Depth without rack handles: 720.6 mm (28.37 inches)
- Depth with rack handles: 734 mm (28.9 inches)
- Height: 87.6 mm (3.45 inches)

Weight

The product weight varies depending on different system configurations.

- Range of product weight without package: 16 kg (35.27 lb) to 28 kg (61.73 lb)
- Range of product weight with package: 19 kg (41.89 lb) to 35 kg (77.16 lb)

Environment

- Air temperature:
 - Operating: 10°C to 35°C (50°F to 95°F)
 - Storage: -40°C to 70°C (-40°F to 158°F) in original shipping package
- Altitude: 0 to 3048 m (0 to 10 000 ft) in an unpressurized environment
- Humidity:
 - Operating: 8% to 80% (non-condensing)
 - Storage without package: 8% to 80% (non-condensing)
 - Storage with package: 8% to 90% (non-condensing)

Electrical input

- Universal input:
 - Low range:
 - Minimum: 100 V ac
 - Maximum: 127 V ac
 - Input frequency range: 50 to 60 Hz
 - High range:
 - Minimum: 200 V ac
 - Maximum: 240 V ac
 - Input frequency range: 50 to 60 Hz

Software

This topic provides information about the software programs that you can use to help you set up, use, and maintain the server.

ThinkServer EasyStartup

The ThinkServer EasyStartup program simplifies the process of configuring RAID and installing supported Microsoft Windows and Linux operating systems and device drivers on your server. This program is provided with your server on a self-starting (bootable) *ThinkServer EasyStartup* DVD. The user guide for the program

also is on the DVD and can be accessed directly from the program interface. For detailed information, see “Using the ThinkServer EasyStartup program” on page 71.

ThinkServer EasyUpdate Firmware Updater

The ThinkServer EasyUpdate Firmware Updater program (hereinafter referred to as the Firmware Updater program) enables you to maintain your server firmware up-to-date and helps you avoid unnecessary server outages. The Firmware Updater program is provided on the Lenovo Support Web site. For more information about downloading and using the Firmware Updater program, see “Updating the firmware” on page 83.

Lenovo ThinkServer EasyManage

The Lenovo ThinkServer EasyManage program enables enterprise users to control and monitor multiple Lenovo servers within a LAN remotely.

For detailed information, see “Using the Lenovo ThinkServer EasyManage program” on page 83.

BIOS and TMM update utilities

The BIOS and TMM (also known as BMC) firmware keeps updating after the shipment of the server. Lenovo maintains pages on the Support Web site and provides the BIOS and TMM update utilities with instructions for download to help you update the BIOS and TMM firmware if needed. For more information, see “Updating or recovering the BIOS” on page 69 and “Updating the firmware” on page 83.

RAID configuration utilities

Your server supports onboard SATA software RAID. If a required RAID card is installed, your server also supports advanced SATA/SAS hardware RAID configurations. For detailed information, see “Configuring RAID” on page 74.

Remote management software

The integrated TMM provides basic remote management features for the server. The add-on TMM Premium option provides advanced remote management features for the server.

For detailed information about the remote management software and server remote management, refer to the *ThinkServer Management Module User Guide*, which is available for download at: <http://www.lenovo.com/UserManuals>

ThinkServer Smart Grid Technology

The ThinkServer Smart Grid Technology program helps administrators to monitor and manage server performance, especially the power consumption for groups of servers equipped with the Intel Intelligent Power Node Manager technology.

Lenovo provides a trial version of the ThinkServer Smart Grid Technology program with a free 90-day subscription. After 90 days, you must renew the license to continue using the program. You can purchase the license from Lenovo to activate the ThinkServer Smart Grid Technology program and expand the management capability of the program when the free trial ends.

To download the ThinkServer Smart Grid Technology program, go to <http://www.lenovo.com/drivers> and follow the instructions on the Web page.

For detailed information about using the ThinkServer Smart Grid Technology program, refer to the help system for the program.

Diagnostic programs

The following diagnostic programs are available for you to diagnose server problems:

- ThinkServer Diagnostic Tool
- ThinkServer System Profile Collection Tool

For more information, see “Using a diagnostic program” on page 200.

Locations

This topic provides information to help you locate your server components.

Machine type, model, and serial number label

This topic helps you to locate the label that contains the machine type, model, and serial number information for your server.

When you contact Lenovo for help, the machine type, model, and serial number information helps support technicians to identify your server and provide faster service.

The illustrations in this topic show the machine type, model, and serial number labels on server models with different hard-disk-drive configurations. Depending on the model, your server might look slightly different from the illustrations in this topic.

The machine type, model, and serial number label is attached on the pull-out information card in the following server models:

- Server models with eight 3.5-inch hard-disk-drive bays
- Server models with 2.5-inch hard-disk-drive bays

The pull-out information card is a small plastic tab and can be slid out of the front of the chassis.

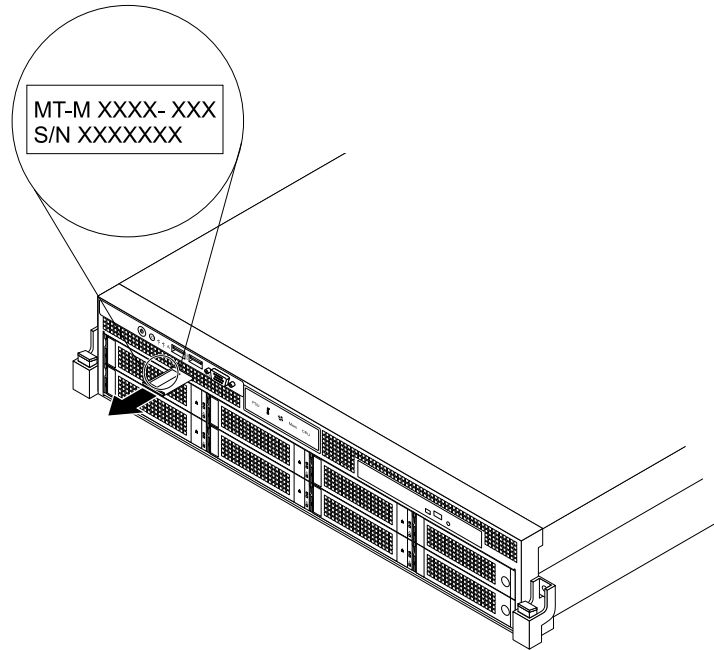


Figure 2. Label on server models with eight 3.5-inch hard-disk-drive bays

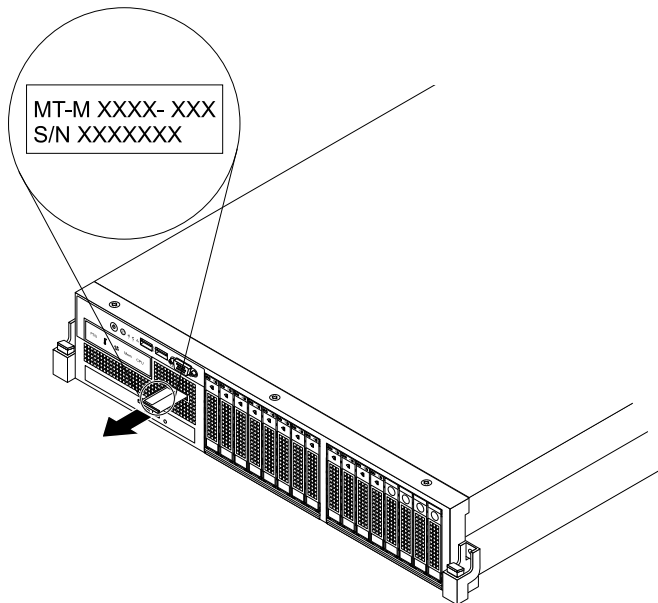


Figure 3. Label on server models with 2.5-inch hard-disk-drive bays

For server models with twelve 3.5-inch hard-disk-drive bays, the machine type, model, and serial number label is attached on the left side of the server.

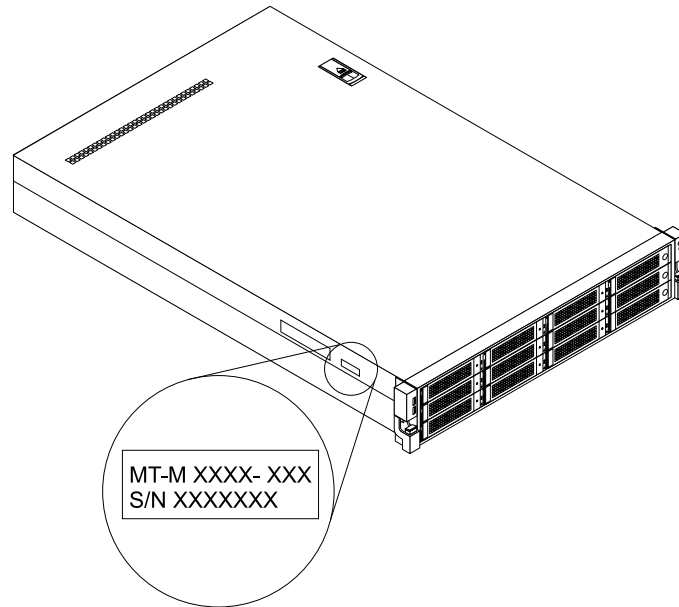


Figure 4. Label on server models with twelve 3.5-inch hard-disk-drive bays

Front view of the server

This topic provides information to help you locate the parts on the front of the server.

The front view of the server varies by model. The illustrations in this topic show the server front views based on the supported hard disk drives:

- “Front view of server models with eight 3.5-inch hard-disk-drive bays” on page 17
- “Front view of server models with twelve 3.5-inch hard-disk-drive bays” on page 18
- “Front view of server models with 2.5-inch hard-disk-drive bays” on page 21

Note: Depending on the model, your server might look slightly different from the illustrations in this topic.

Front view of server models with eight 3.5-inch hard-disk-drive bays

The following illustration shows the front view of server models with eight 3.5-inch hard-disk-drive bays.

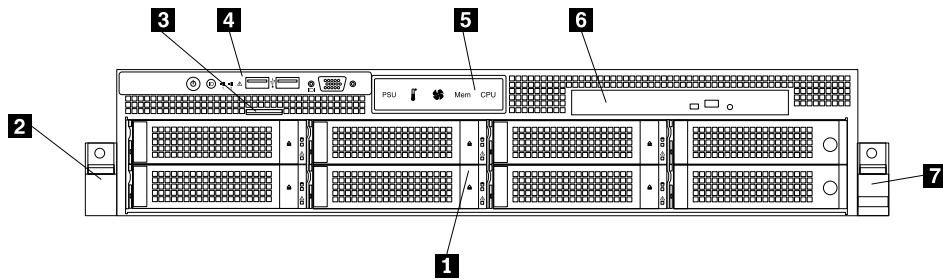


Figure 5. Front view of server models with eight 3.5-inch hard-disk-drive bays

1 3.5-inch hard-disk-drive area	5 Diagnostic panel (varies by model)
2 Rack handle (left)	6 Slim optical drive (available in some models)
3 Pull-out information card	7 Rack handle (right)
4 Front panel	

1 3.5-inch hard-disk-drive area

The Electromagnetic Interference (EMI) integrity and cooling of the server are protected by having all drive bays covered or occupied. The number of the installed hard disk drives in your server varies by model. The vacant hard-disk-drive bays are occupied by dummy hard-disk-drive trays.

For server models with eight 3.5-inch hard-disk-drive bays, the hard-disk-drive bay numbers are marked on the top edge of the front bezel.

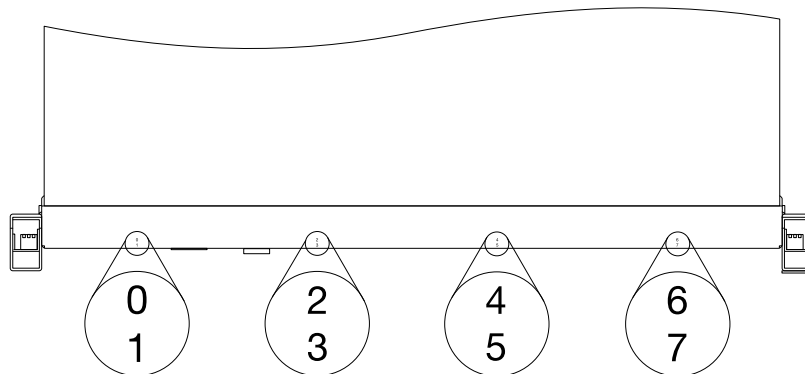


Figure 6. 3.5-inch hard-disk-drive bay numbers (top view of the server)

2 Rack handle (left)

7 Rack handle (right)

If your server is installed in a rack cabinet, you can use the rack handles to help you slide the server out of the rack cabinet; or use the rack handles and screws to secure the server in the rack cabinet so that the server cannot slide out, especially in vibration-prone areas. For more information, refer to the *Rack Installation Instructions* that comes with your server.

3 Pull-out information card

The machine type, model, and serial number label of the server is attached on the pull-out information card. See “Machine type, model, and serial number label” on page 14.

4 Front panel

For detailed information about the controls, connectors, and status LEDs on the front panel, see “Front panel” on page 22.

5 Diagnostic panel

The diagnostic panel varies by model. For detailed information, see “Diagnostic module” on page 24.

6 Slim optical drive

Some server models come with a slim SATA optical drive.

Front view of server models with twelve 3.5-inch hard-disk-drive bays

The following illustration shows the front view of server models with twelve 3.5-inch hard-disk-drive bays.

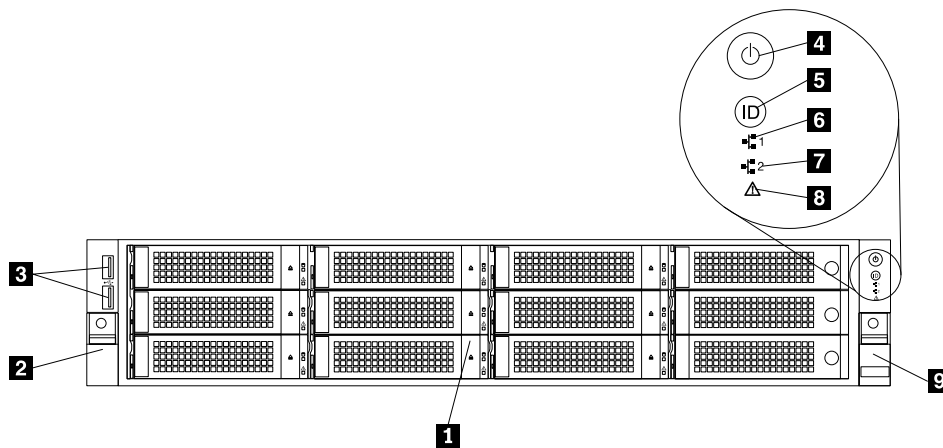


Figure 7. Front view of server models with twelve 3.5-inch hard-disk-drive bays

1 3.5-inch hard-disk-drive area	6 Network Interface Controller (NIC) 1 status LED
2 Rack handle (left)	7 NIC 2 status LED
3 Front USB connectors (2)	8 System error LED
4 Power button with power status LED	9 Rack handle (right)
5 System identification button (ID button) with ID LED	

1 3.5-inch hard-disk-drive area

The EMI integrity and cooling of the server are protected by having all drive bays covered or occupied. The number of the installed hard disk drives in your server varies by model. The vacant hard-disk-drive bays are occupied by dummy hard-disk-drive trays.

For server models with twelve 3.5-inch hard-disk-drive bays, the hard-disk-drive bay numbers are marked on the top edge of the front bezel.

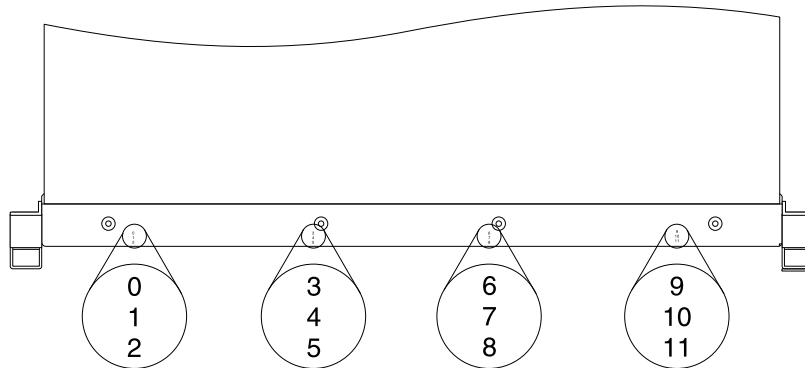


Figure 8. 3.5-inch hard-disk-drive bay numbers (top view of the server)

2 Rack handle (left)

9 Rack handle (right)

If your server is installed in a rack cabinet, you can use the rack handles to help you slide the server out of the rack cabinet; or use the rack handles and screws to secure the server in the rack cabinet so that the server cannot slide out, especially in vibration-prone areas. For more information, refer to the *Rack Installation Instructions* that comes with your server.

For server models with twelve 3.5-inch hard-disk-drive bays, the front USB connectors are integrated into the left rack handle; and the front controls and LEDs are integrated into the right rack handle.

3 Front USB connectors

Used to attach a USB-compatible device, such as a USB keyboard, mouse, scanner, or printer. If you have more than six USB devices, you can purchase a USB hub, which you can use to connect additional USB devices.

4 Power button with power status LED

You can press the power button to turn on the server when you finish setting up the server. You also can hold the power button for several seconds to turn off the server if you cannot turn off the server from the operating system. See Chapter 4 “Turning on and turning off the server” on page 61. The power status LED helps you to determine the current power status.

Power status LED	Color	Description
On	Green	The server is on.
Off	None	The server is off.
Blinking	Green	The server is in ACPI S1 mode, which also is known as Power On Suspend (POS) mode. In this mode, the microprocessors are not working while other hardware devices are still working.

5 ID button with ID LED

When you press the ID button, the ID LEDs on both the front and rear of the server are lit to help you locate the server among other servers. You also can turn on the ID LEDs using a remote management program for server presence detection.

ID LED	Color	Description
On	Blue	The server is identified.
Off	None	The ID LED is not in use or the server is not identified.

6 NIC 1 status LED

7 NIC 2 status LED

The NIC 1 status LED indicates the LAN status for the Ethernet connector 1 on the rear of the server.

The NIC 2 status LED indicates the LAN status for the Ethernet connector 2 on the rear of the server.

NIC status LED	Color	Description
On	Green	The server is connected to a LAN.
Off	None	The server is disconnected from a LAN.
Blinking	Green	The LAN is connected and active.

8 System error LED

The system error LED helps you to determine if there are any system errors.

System error LED	Color	Description
On	Amber	One or more system errors have occurred and the system is likely to fail.
Off	None	The server is off or the server is on and is working correctly.

Front view of server models with 2.5-inch hard-disk-drive bays

The following illustration shows the front view of server models with 2.5-inch hard-disk-drive bays.

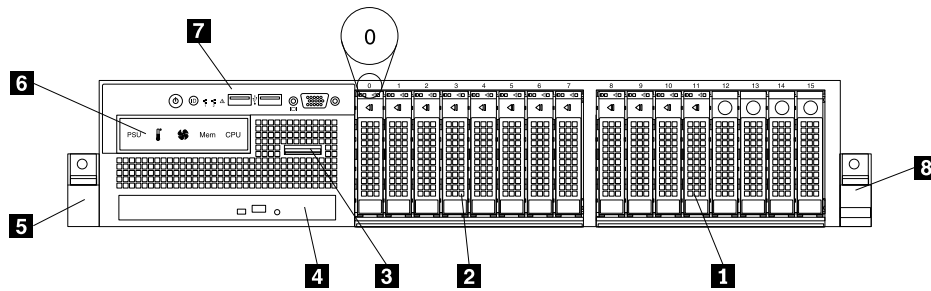


Figure 9. Front view of server models with 2.5-inch hard-disk-drive bays

1 2.5-inch hard-disk-drive area (right cage)	5 Rack handle (left)
2 2.5-inch hard-disk-drive area (middle cage)	6 Diagnostic panel (varies by model)
3 Pull-out information card	7 Front panel
4 Slim optical drive (available in some models)	8 Rack handle (right)

1 2.5-inch hard-disk-drive area (right cage)

2 2.5-inch hard-disk-drive area (middle cage)

The front of server models with 2.5-inch hard-disk-drive bays consists of three cages:

- The left cage consists of the front panel board, the front VGA DB-15 connector, the diagnostic module, the pull-out information card, and the slim optical drive bay.
- The middle cage consists of the number 0 to number 7 hard-disk-drive bays. There is either a 2.5-inch hot-swap hard disk drive or a 2.5-inch dummy hard-disk-drive tray installed in each bay.
- The right cage consists of the number 8 to number 15 hard-disk-drive bays. There is either a 2.5-inch hot-swap hard disk drive or a 2.5-inch dummy hard-disk-drive tray installed in each bay. If the server supports up to eight hard disk drives, there will be an EMI-protective panel that covers the right cage as a whole.

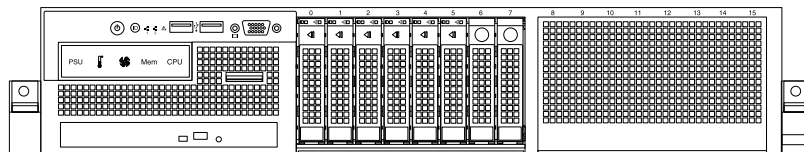


Figure 10. Right cage with an EMI-protective panel

Note: The hard-disk-drive bay number (0-15) is marked above each 2.5-inch hard-disk-drive bay on the front bezel.

3 Pull-out information card

The machine type, model, and serial number label of the server is attached on the pull-out information card. See “Machine type, model, and serial number label” on page 14.

4 Slim optical drive

Some server models come with a slim SATA optical drive.

5 Rack handle (left)

8 Rack handle (right)

If your server is installed in a rack cabinet, you can use the rack handles to help you slide the server out of the rack cabinet; or use the rack handles and screws to secure the server in the rack cabinet so that the server cannot slide out, especially in vibration-prone areas. For more information, refer to the *Rack Installation Instructions* that comes with your server.

6 Diagnostic panel

The diagnostic panel varies by model. For detailed information, see “Diagnostic module” on page 24.

7 Front panel

For detailed information about the controls, connectors, and status LEDs on the front panel, see “Front panel” on page 22.

Front panel

This topic applies only to the following server models:

- Server models with eight 3.5-inch hard-disk-drive bays
- Server models with 2.5-inch hard-disk-drive bays

For server models with twelve 3.5-inch hard-disk-drive bays, the front USB connectors are integrated into the left rack handle; and the front controls and LEDs are integrated into the right rack handle. See “Front view of server models with twelve 3.5-inch hard-disk-drive bays” on page 18 for detailed information.

The following illustration shows the controls, connectors, and LEDs on the front panel of the server. To locate the front panel, see “Front view of server models with eight 3.5-inch hard-disk-drive bays” on page 17 and “Front view of server models with 2.5-inch hard-disk-drive bays” on page 21.

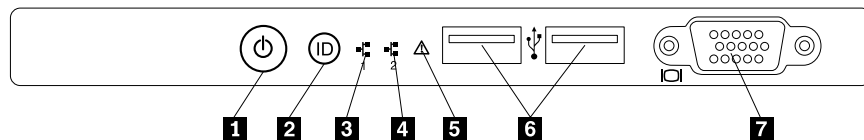


Figure 11. Front panel

1 Power button with power status LED	5 System error LED
2 ID button with ID LED	6 Front USB connectors (2)
3 NIC 1 status LED	7 VGA DB-15 connector
4 NIC 2 status LED	

1 Power button with power status LED

You can press the power button to turn on the server when you finish setting up the server. You also can hold the power button for several seconds to turn off the server if you cannot turn off the server from the operating system. See Chapter 4 “Turning on and turning off the server” on page 61. The power status LED helps you to determine the current power status.

Power status LED	Color	Description
On	Green	The server is on.
Off	None	The server is off.
Blinking	Green	The server is in ACPI S1 mode, which also is known as Power On Suspend (POS) mode. In this mode, the microprocessors are not working while other hardware devices are still working.

2 ID button with ID LED

When you press the ID button on the front panel, the ID LEDs on both the front and rear of the server are lit to help you locate the server among other servers. You also can turn on the ID LEDs using a remote management program for server presence detection.

ID LED	Color	Description
On	Blue	The server is identified.
Off	None	The ID LED is not in use or the server is not identified.

3 NIC 1 status LED

4 NIC 2 status LED

The NIC 1 status LED indicates the LAN status for the Ethernet connector 1 on the rear of the server.

The NIC 2 status LED indicates the LAN status for the Ethernet connector 2 on the rear of the server.

NIC status LED	Color	Description
On	Green	The server is connected to a LAN.
Off	None	The server is disconnected from a LAN.
Blinking	Green	The LAN is connected and active.

5 System error LED

The system error LED helps you to determine if there are any system errors.

- **Off:** The server is off or the server is on and working correctly.
- **Amber:** The server has potential system errors. Check the information in the following table for potential system errors and corresponding solutions.

Potential system error (system error LED: amber)	Solution
The temperature of the server reached the non-critical temperature threshold.	Check the BMC for errors and check the system fans.
The voltage of the server reached the non-critical voltage threshold.	Replace the system board. Note: This action must be performed only by Lenovo service personnel. See Chapter 8 “Getting information, help, and service” on page 205.
A fan is running at low speed.	Check the system fans.
A hot-swap fan has been removed.	<ol style="list-style-type: none">1. Ensure that the system fans are connected securely to the system board.2. Reinstall the removed fan or install a new fan to replace the removed fan.
The power supply has a critical error.	Check the BMC for detailed information.
A power cord has been disconnected or a redundant power supply has been removed.	<ol style="list-style-type: none">1. Ensure that the power supplies are installed securely.2. Ensure that the power cords are connected securely to the power supplies.3. Install a new power supply to replace the removed one.
The system is overheated.	Check the BMC for errors and then check the system fans.

6 Front USB connectors

Used to attach a USB-compatible device, such as a USB keyboard, mouse, scanner, or printer. If you have more than six USB devices, you can purchase a USB hub, which you can use to connect additional USB devices.

7 VGA DB-15 connector

Used to attach a VGA-compatible video device, such as a VGA monitor.

Diagnostic module

This topic applies only to the following server models:

- Server models with eight 3.5-inch hard-disk-drive bays
- Server models with 2.5-inch hard-disk-drive bays

This topic provides information about the diagnostic module and the diagnostic LEDs on the panel of the module. To locate the diagnostic panel, see “Front view of the server” on page 16.

Some server models come with one of the following diagnostic modules:

- Intelligent Diagnostics Module (IDM)

- Intelligent Diagnostics Module Premium (IDM Premium)

Many errors are first indicated by a lit error LED on the diagnostic panel of the server. If an LED is lit, one or more LEDs elsewhere in the server might also be lit to direct you to the source of the error. See “System board LEDs” on page 59.

Intelligent Diagnostics Module

The Intelligent Diagnostics Module (IDM) is available in some models to provide basic diagnostic functions. The following illustration shows the diagnostic LEDs on the IDM panel.

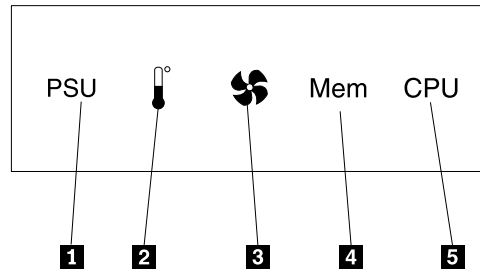


Figure 12. IDM panel

- When the power supply error LED or system fan error LED is off, it indicates that the power supply or system fan is working correctly. When the ambient temperature limit LED, memory module status LED, or microprocessor status LED is off, it indicates that the server, memory module, or microprocessor is operating at a normal temperature.
- When one error LED is lit in amber, it indicates potential errors. Check the information in the following table for potential errors and corresponding solutions.

Table 1. Potential errors and corresponding solutions

LED	Status	Potential error	Solution
1 Power supply error LED	Solid on (amber)	The power supply is likely to fail or has failed.	Check the BMC for errors and run the diagnostic programs. See “Using a diagnostic program” on page 200. Note: To identify the failing power supply, check the status LED near the power cord connector on the redundant power supply.
2 Ambient temperature limit LED	Solid on (amber)	The ambient temperature is below 7°C (44.6°F) or over 40°C (104°F).	Check the BMC for errors and run the diagnostic programs. See “Using a diagnostic program” on page 200.
3 System fan error LED	Solid on (amber)	One or more system fans are running at low speed or have been removed.	Check the BMC for errors and run the diagnostic programs. See “Using a diagnostic program” on page 200. Note: To identify the failing system fans, check the status LEDs on the system board. See “System board LEDs” on page 59.

Table 1. Potential errors and corresponding solutions (continued)

LED	Status	Potential error	Solution
4 Memory module status LED	Solid on (amber)	One or more memory modules are overheated.	Check the BMC for errors and run the diagnostic programs. See “Using a diagnostic program” on page 200.
5 Microprocessor status LED (also known as CPU error LED)	Solid on (amber)	The microprocessors are overheated.	Check the BMC for errors and run the diagnostic programs. See “Using a diagnostic program” on page 200.

Intelligent Diagnostics Module Premium

The Intelligent Diagnostics Module Premium (IDM Premium) is available in some models to provide advanced diagnostic functions. The following illustration shows the diagnostic LEDs on the IDM Premium panel.

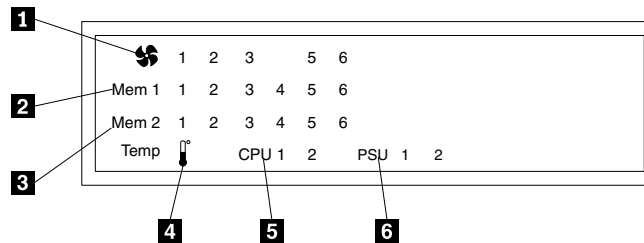


Figure 13. IDM Premium panel

1 System fan error LEDs	4 Ambient temperature limit LED
2 CPU1 DIMM status LEDs	5 Microprocessor status LEDs
3 CPU2 DIMM status LEDs	6 Power supply error LEDs

1 System fan error LEDs

The system fan error LEDs help you to determine if there are any system fan errors.

Status	Description	Action
Solid off	The system fans are operating correctly.	
Solid on (amber)	One or more system fans are running at low speed or have been removed.	Check the BMC for errors and run the diagnostic programs. See “Using a diagnostic program” on page 200. Note: To identify the failing system fans, check the status LEDs on the system board. See “System board LEDs” on page 59.

The following illustration shows the system fans and their numbers.

Notes:

- Depending on the model, your server might look slightly different from the illustration.
- Your server has five system fans. The callout **4** indicates a dummy system fan.

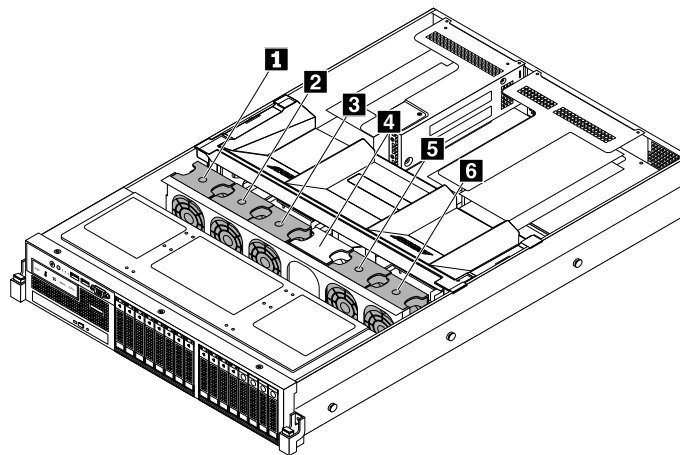


Figure 14. System fans

2 CPU1 DIMM status LEDs

3 CPU2 DIMM status LEDs

The DIMM status LEDs help you to determine if there are any memory module errors.

Status	Description	Action
Solid off	The memory modules are operating at a normal temperature.	
Solid on (amber)	When a DIMM status LED is lit in amber, it indicates that the corresponding memory module is overheated.	Check the BMC for errors and run the diagnostic programs. See “Using a diagnostic program” on page 200.

The following illustration shows the memory modules and their numbers.

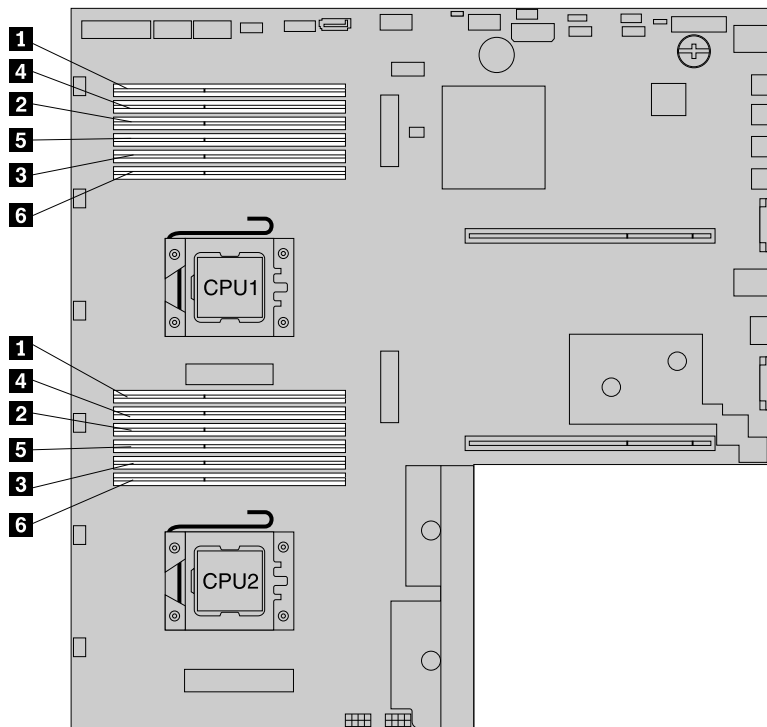


Figure 15. DIMM status LEDs and DIMMs

4 Ambient temperature limit LED

The ambient temperature limit LED helps you to determine if the server is running at a normal temperature.

Status	Description	Action
Solid off	The server is running at a normal temperature.	
Solid on (amber)	The ambient temperature is below 7°C (44.6°F) or over 40°C (104°F).	Check the BMC for errors and run the diagnostic programs. See “Using a diagnostic program” on page 200.

5 Microprocessor status LEDs (also known as CPU status LEDs)

The microprocessor status LED helps you to determine if the microprocessor is running at a normal temperature.

Status	Description	Action
Solid off	The microprocessors are operating at a normal temperature.	
Solid on (amber)	The microprocessors are overheated.	Check the BMC for errors and run the diagnostic programs. See “Using a diagnostic program” on page 200.

6 Power supply error LEDs

The power supply error LED helps you to determine if the power supply is working correctly.

Status	Description	Action
Solid off	The power supply is working correctly.	
Solid on (amber)	The power supply is likely to fail or has failed.	Check the BMC for errors and run the diagnostic programs. See “Using a diagnostic program” on page 200. Note: To identify the failing power supply, check the power supply error LEDs on the IDM Premium panel.

Rear view of the server

This topic provides information to help you locate the connectors and components on the rear of your server.

The following illustration shows the rear view of the server.

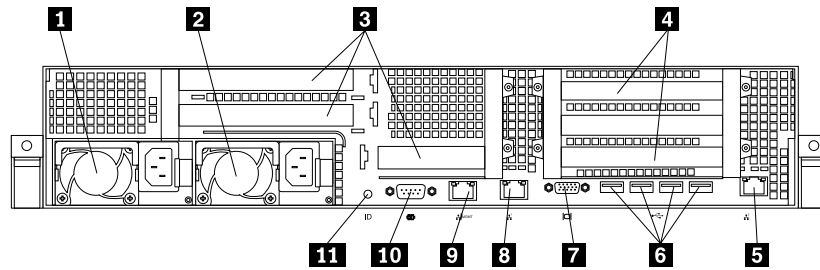


Figure 16. Rear view of the server

1 Hot-swap redundant power supply 2 (available in some models)	7 VGA DB-15 connector
2 Hot-swap redundant power supply 1	8 Ethernet connector 1 (RJ-45)
3 PCI Express card area for cards on the riser card assembly 2	9 Ethernet connector 0 for system management (RJ-45)
4 PCI Express card area for cards on the riser card assembly 1	10 Serial connector
5 Ethernet connector 2 (RJ-45)	11 ID LED
6 Four USB connectors	

1 Hot-swap redundant power supply 2 (available in some models)

2 Hot-swap redundant power supply 1

The hot-swap redundant power supplies help you avoid significant interruption to the operation of the system when a power supply fails. You can purchase a hot-swap redundant power supply option from Lenovo and install the power supply to provide power redundancy without turning off the server.

On each hot-swap redundant power supply, there is a status LED near the power cord connector. When the LED is lit in green, it indicates that the hot-swap redundant power supply is working correctly. When the LED is lit in amber, it indicates that the hot-swap redundant power supply is likely to fail or has failed.

3 PCI Express card area for cards on the riser card assembly 2

There are three PCI Express card slots on the riser card assembly 2 for installing Ethernet cards or other supported PCI Express cards.

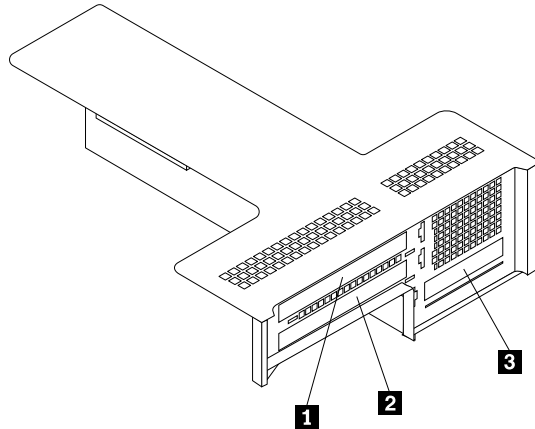


Figure 17. Riser card assembly 2

Note: The slot **1** and slot **2** are supported only in server models with two microprocessors. For server models with one microprocessor, the slot **1** and slot **2** are covered. If you install the second microprocessor in the server, you need to remove the covers that protect the slot **1** and slot **2** before installing any supported cards into the slots.

PCI Express card slot	Physical link width	Negotiable link width	Supported card length and height
1	x16	x8, x4, x2, x1	Half-length, full-height card
2	x8	x8, x4, x2, x1	Half-length, full-height card
3	x8	x4, x2, x1	Low-profile card

4 PCI Express card area for cards on the riser card assembly 1

There are three PCI Express card slots on the riser card assembly 1.

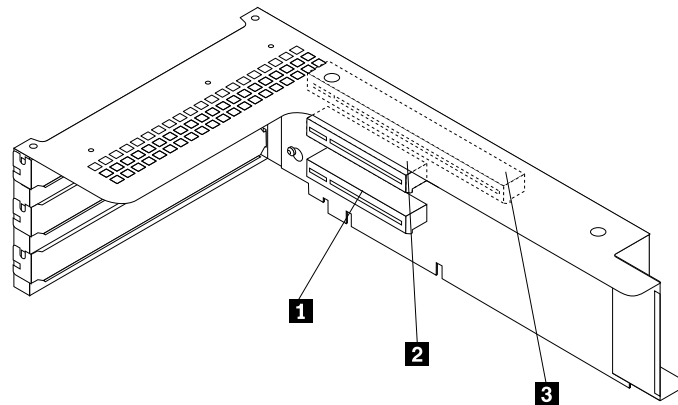


Figure 18. Riser card assembly 1

Notes:

- For a RAID card, it must be installed into the slot **3** on the riser card assembly 1. For an expander card, it must be installed into the slot **1** on the riser card assembly 1.
- If a ThinkServer HBA is available, refer to its user guide for detailed information. The user guide is available for download at:
<http://www.lenovo.com/UserManuals>

PCI Express card slot	Physical link width	Negotiable link width	Supported card length and height
1	x8	x4, x2, x1	Half-length, full-height card
2	x8	x8, x4, x2, x1	Half-length, full-height card
3	x16	x8, x4, x2, x1	Half-length, full-height card

5 8 9 Ethernet connectors (RJ-45)

Used to attach an Ethernet cable for a LAN. Each Ethernet connector has two status LEDs to help you identify the Ethernet connectivity, activity, and connection speed.

Note: The Ethernet connector 0 (callout 9) marked with “MGMT” is for system management by default. However, you also can set the Ethernet connector 1 or 2 for system management use in the Setup Utility program. See “Setting the mode of the Ethernet connectors” on page 69.

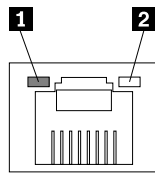


Figure 19. Ethernet status LEDs

Ethernet status LED	Color	Status	Description
1 Left	Amber	On	The connection speed is 1000 Mbps.
	Green	On	The connection speed is 100 Mbps.
	None	Off	The connection speed is 10 Mbps.
2 Right	Green	On	The server is connected to a LAN.
	None	Off	The server is disconnected from a LAN.
	Green	Blinking	The LAN is connected and active.

6 USB connectors

Used to attach a USB-compatible device, such as a USB keyboard, mouse, scanner, or printer. If you have more than six USB devices, you can purchase a USB hub, which you can use to connect additional USB devices.

7 VGA DB-15 connector

Used to attach a VGA-compatible video device, such as a VGA monitor.

10 Serial connector

Used to attach a device that uses a 9-pin serial connector.

11 ID LED

When you press the ID button on the front of the server, the ID LEDs on both the front and rear of the server are lit to help you locate the server among other servers. You also can turn on the ID LEDs using a remote management program for server presence detection.

ID LED	Color	Description
On	Blue	The server is identified.
Off	None	The ID LED is not in use or the server is not identified.

Server components

This topic provides information to help you locate the components of your server. For more information about major components, see the related topics in “Locations” on page 14.

To remove the server cover and gain access to the inside of the server, see “Removing the server cover” on page 87.

The chassis configuration varies by model. The following illustrations show the three main chassis configurations based on the supported hard disk drives.

- “Components of server models with eight 3.5-inch hard-disk-drive bays” on page 35
- “Components of server models with twelve 3.5-inch hard-disk-drive bays” on page 36
- “Components of server models with 2.5-inch hard-disk-drive bays” on page 37

Note: Depending on the model, your server might look slightly different from the illustrations in this topic.

Components of server models with eight 3.5-inch hard-disk-drive bays

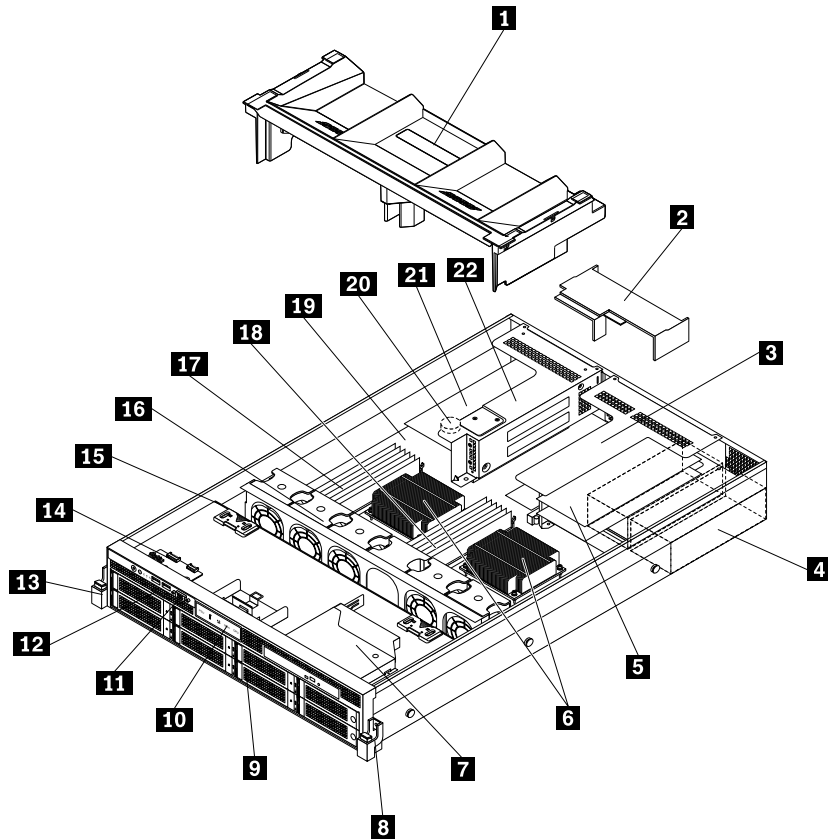


Figure 20. Components of server models with eight 3.5-inch hard-disk-drive bays

1 Cooling shroud	12 Pull-out information card
2 Power supply cooling shroud	13 Rack handle (left)
3 Riser card assembly 2	14 Front panel board
4 One or two hot-swap redundant power supplies	15 Hot-swap hard-disk-drive backplane
5 PCI Express cards (available in some models)	16 System fans (5)
6 Heat sinks with microprocessors underneath	17 CPU1 DIMMs (vary by model)
7 Slim optical drive (available in some models)	18 CPU2 DIMMs (vary by model)
8 Rack handle (right)	19 System board
9 3.5-inch hard-disk-drive area	20 Coin-cell battery
10 Diagnostic module (varies by model)	21 PCI Express cards (available in some models)
11 VGA DB-15 connector	22 Riser card assembly 1

Components of server models with twelve 3.5-inch hard-disk-drive bays

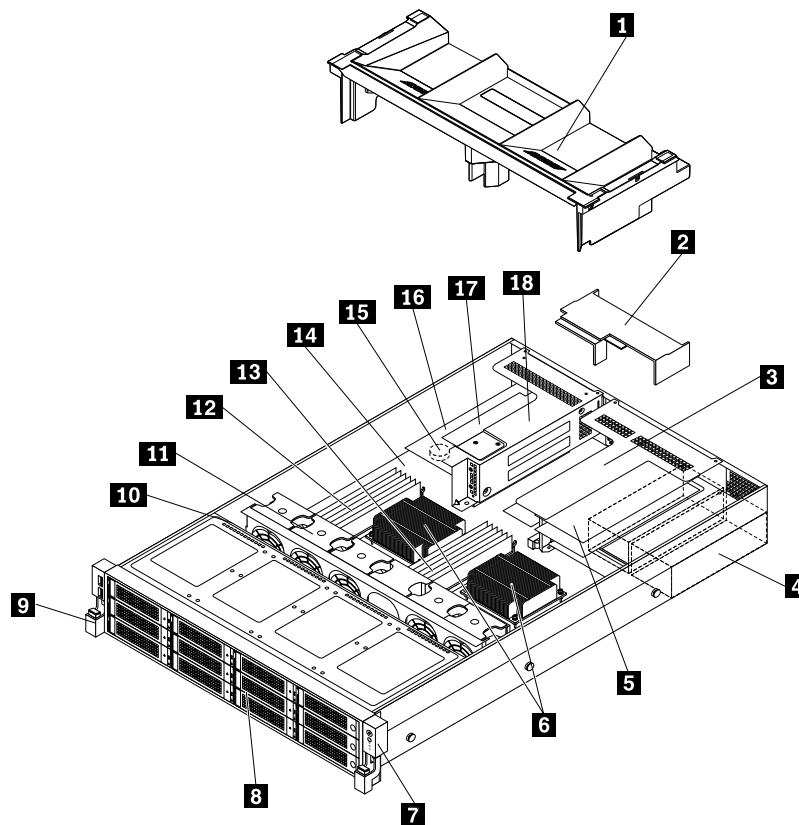


Figure 21. Components of server models with twelve 3.5-inch hard-disk-drive bays

1 Cooling shroud	10 Hot-swap hard-disk-drive backplane
2 Power supply cooling shroud	11 System fans (5)
3 Riser card assembly 2	12 CPU1 DIMMs (vary by model)
4 One or two hot-swap redundant power supplies	13 CPU2 DIMMs (vary by model)
5 PCI Express cards (available in some models)	14 System board
6 Heat sinks with microprocessors underneath	15 Coin-cell battery
7 Rack handle (right) with front controls and LEDs	16 Expander card
8 3.5-inch hard-disk-drive area	17 RAID card
9 Rack handle (left) with front USB connectors	18 Riser card assembly 1

Components of server models with 2.5-inch hard-disk-drive bays

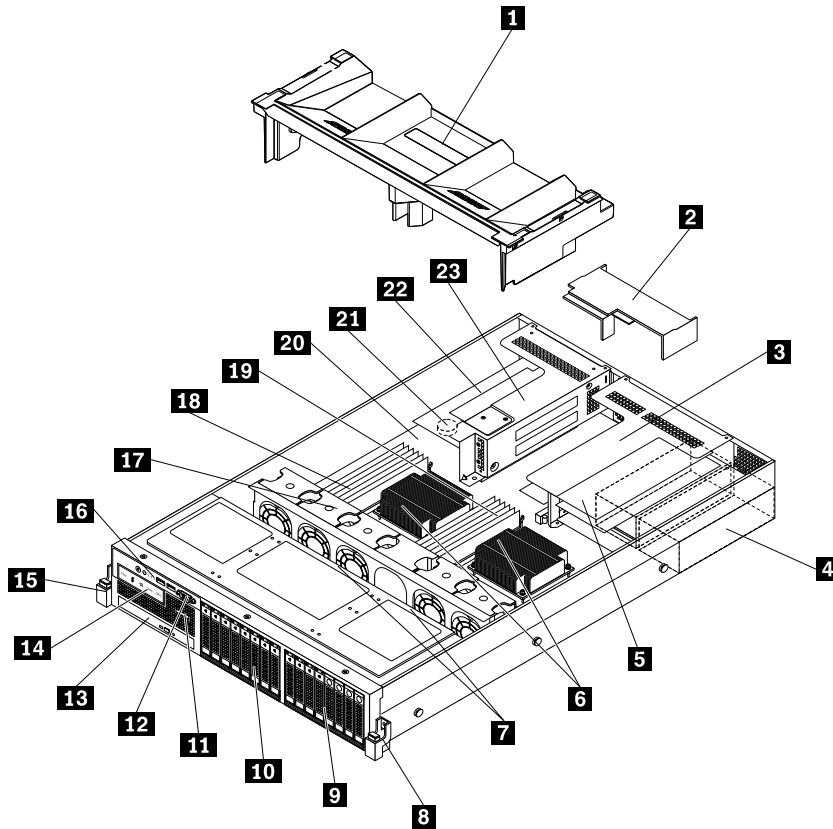


Figure 22. Components of server models with 2.5-inch hard-disk-drive bays

1 Cooling shroud	13 Slim optical drive (available in some models)
2 Power supply cooling shroud	14 Diagnostic module (varies by model)
3 Riser card assembly 2	15 Rack handle (left)
4 One or two hot-swap redundant power supplies	16 Front panel board
5 PCI Express cards (available in some models)	17 System fans (5)
6 Heat sinks with microprocessors underneath	18 CPU1 DIMMs (vary by model)
7 Hot-swap hard-disk-drive backplanes	19 CPU2 DIMMs (vary by model)
8 Rack handle (right)	20 System board
9 2.5-inch hard-disk-drive area (right cage)	21 Coin-cell battery
10 2.5-inch hard-disk-drive area (middle cage)	22 PCI Express cards (available in some models)
11 Pull-out information card	23 Riser card assembly 1
12 VGA DB-15 connector	

CRU identification

CRUs are parts that can be upgraded or replaced by the customer. If a CRU is determined to be defective during the warranty period, a replacement CRU will be provided to the customer. Customers are responsible for installing the self-service CRUs for this product. Customers also can install optional-service CRUs, which

might require some technical skills or tools, or request that a technician install the optional-service CRU under the terms of the applicable warranty service type for your country or region.

Non-CRUs must be replaced only by trained service technicians.

The following table lists the major FRUs in your server and the CRU identification information. For a complete listing of FRU information, such as FRU part numbers and supported server models, go to:

<http://www.lenovo.com/serviceparts-lookup>

Notes:

- Before servicing a Lenovo product, ensure that you read and understand “Safety information” on page iii.
- Use only parts provided by Lenovo.

FRU description	Self-service CRU	Optional-service CRU
Cooling shroud	Yes	No
Diagnostic module	No	Yes
Front panel board	No	Yes
Heat sink	Yes	No
Hot-swap hard disk drive	Yes	No
Hot-swap hard-disk-drive backplane	No	Yes
Hot-swap redundant power supply	Yes	No
Memory module	Yes	No
Microprocessor	No	Yes
Optical drive (available in some models)	Yes	No
PCI card (available in some models)	Yes	No
Rack handles	Yes	No
Riser card assembly	Yes	No
System board	No	No
Coin-cell battery	Yes	No
System fan	Yes	No
ThinkServer Management Module Premium (available as an option)	Yes	No
ThinkServer RAID 300 Upgrade Key for Advanced RAID (available as an option)	Yes	No
ThinkServer RAID 500 Upgrade Key for Advanced RAID (available as an option)	No	Yes
ThinkServer RAID 700 Battery (available as an option)	No	Yes
ThinkServer RAID Super Capacitor Module (available as an option)	No	Yes
ThinkServer Trusted Platform Module (available as an option)	Yes	No

Hot-swap hard-disk-drive status LEDs

Each hot-swap hard disk drive has two status LEDs on the front.

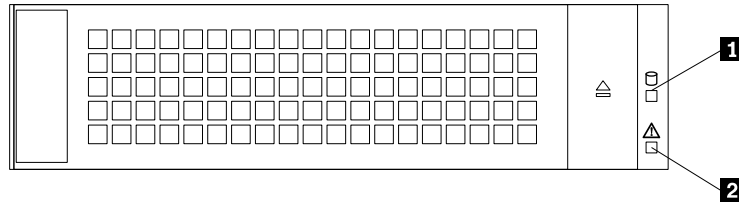


Figure 23. 3.5-inch hot-swap hard-disk-drive status LEDs

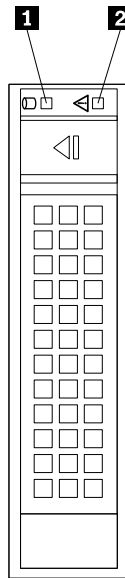


Figure 24. 2.5-inch hot-swap hard-disk-drive status LEDs

1 Hard-disk-drive activity LED	2 Hard-disk-drive RAID status LED	Description
Off	Off	The hard disk drive has failed or is not present.
On, green	Off	The hard disk drive is present but not in use.
Blinking, green	Off	The hard disk drive is active and data is being transferred.
On, green	Blinking rapidly (about four flashes per second), amber	The RAID controller is identifying the hard disk drive.
On, green	On, amber	The RAID array has failed and cannot be recovered. You need to recreate an array.
Blinking, green	Blinking slowly (about one flash per second), amber	The hard disk drive is being rebuilt.

RAID card

This topic provides information to help you locate the connectors on the RAID card if a RAID card installed is in the longer slot of the riser card assembly 1.

Some server models come with a RAID card to provide advanced SATA/SAS hardware RAID functions. You also can purchase a supported RAID card from Lenovo and install it into the server. See “Installing or removing the RAID card” on page 105.

Notes:

- The option kit for a RAID card is designed for different types of servers and might contain additional cables that are not required for your server.
- The server must have a RAID card and an expander card installed to support more than eight hard disk drives.

Your server supports the following RAID cards:

- ThinkServer RAID 500 Adapter (also known as ThinkServer 9240-8i RAID 0/1 Adapter)
- ThinkServer RAID 700 Adapter (also known as ThinkServer 9260-8i SAS RAID Adapter)
- ThinkServer RAID 710 Adapter (also known as 9270CV-8i RAID adapter)

ThinkServer RAID 500 Adapter (also known as ThinkServer 9240-8i RAID 0/1 Adapter)

The following illustration shows the connectors on the ThinkServer RAID 500 Adapter.

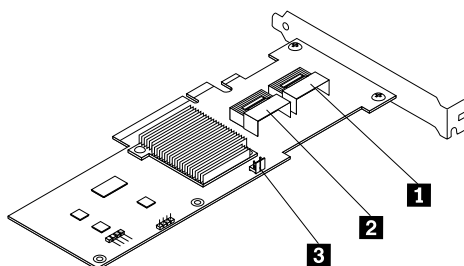


Figure 25. ThinkServer RAID 500 Adapter

1 Port 0	3 TR 500 key connector
2 Port 1	

1 Port 0

Used to connect a mini-SAS signal cable. See “Connecting the cables” on page 47.

2 Port 1

Used to connect a mini-SAS signal cable. See “Connecting the cables” on page 47.

3 TR 500 key connector

Used to connect a ThinkServer RAID 500 Upgrade Key for Advanced RAID. See “Installing or removing the ThinkServer RAID 500 Upgrade Key for Advanced RAID” on page 108.

ThinkServer RAID 700 Adapter (also known as ThinkServer 9260-8i SAS RAID Adapter)

The following illustration shows the connectors on the ThinkServer RAID 700 Adapter.

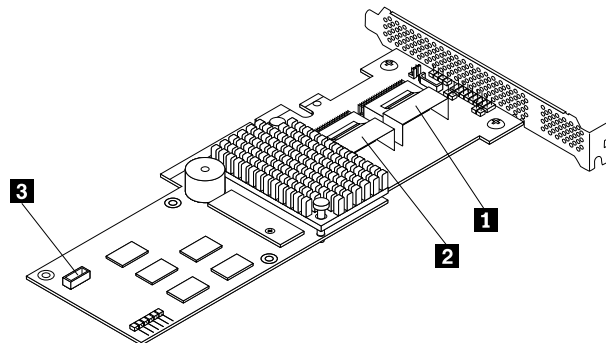


Figure 26. ThinkServer RAID 700 Adapter

1 Ports 7-4	3 ThinkServer RAID 700 Battery connector
2 Ports 3-0	

1 Ports 7-4

Used to connect a mini-SAS signal cable. See “Connecting the cables” on page 47.

2 Ports 3-0

Used to connect a mini-SAS signal cable. See “Connecting the cables” on page 47.

3 ThinkServer RAID 700 Battery connector

Used to connect a ThinkServer RAID 700 Battery. See “Installing or removing the ThinkServer RAID 700 Battery” on page 111.

ThinkServer RAID 710 Adapter (also known as 9270CV-8i RAID adapter)

The following illustration shows the connectors on the ThinkServer RAID 710 Adapter.

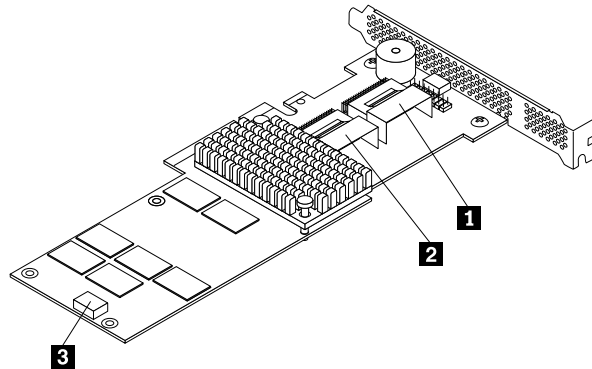


Figure 27. ThinkServer RAID 710 Adapter

1 Port 1	3 ThinkServer RAID Super Capacitor Module connector
2 Port 2	

1 Port 1

Used to connect a mini-SAS signal cable. See “Connecting the cables” on page 47.

2 Port 2

Used to connect a mini-SAS signal cable. See “Connecting the cables” on page 47.

3 ThinkServer RAID Super Capacitor Module connector

Used to connect the cable of a ThinkServer RAID Super Capacitor Module. See “Replacing the ThinkServer RAID Super Capacitor Module” on page 159.

Expander card

This topic provides information to help you locate the connectors on the expander card if your server has one installed in the shorter slot of the riser card assembly 1.

The expander card works together with the RAID card by expanding the ports on the RAID card so that the server can support up to 16 hard disk drives.

Note: The server must have a RAID card and an expander card installed to support more than eight hard disk drives.

The following illustration shows the connectors on the expander card. Each connector on the expander card is used to connect a mini-SAS to mini-SAS signal cable. For detailed information, see “Connecting the cables” on page 47.

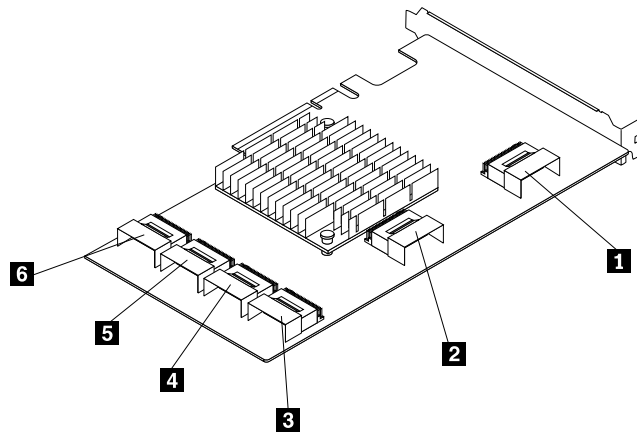


Figure 28. Expander card

1 Connector 1	4 Connector 4
2 Connector 2	5 Connector 5
3 Connector 3	6 Connector 6

Hot-swap hard-disk-drive backplane

Your server might come with one of the following hot-swap hard-disk-drive bay and backplane configurations:

- Eight 3.5-inch hard-disk-drive bays and one backplane
- Twelve 3.5-inch hard-disk-drive bays and one backplane
- Eight 2.5-inch hard-disk-drive bays and one backplane
- Sixteen 2.5-inch hard-disk-drive bays and two backplanes

To locate the backplanes, see “Server components” on page 34.

Backplane for server models with eight 3.5-inch hard-disk-drive bays

This topic provides information to help you locate the connectors on the backplane for server models with eight 3.5-inch hard-disk-drive bays.

The following illustrations show the connectors on the backplane for server models with eight 3.5-inch hard-disk-drive bays.

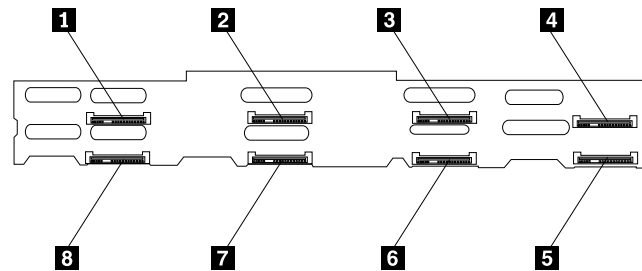


Figure 29. Front view of the backplane for server models with eight 3.5-inch hard-disk-drive bays

1 Slot 0 for a 3.5-inch hard disk drive	5 Slot 7 for a 3.5-inch hard disk drive
2 Slot 2 for a 3.5-inch hard disk drive	6 Slot 5 for a 3.5-inch hard disk drive
3 Slot 4 for a 3.5-inch hard disk drive	7 Slot 3 for a 3.5-inch hard disk drive
4 Slot 6 for a 3.5-inch hard disk drive	8 Slot 1 for a 3.5-inch hard disk drive

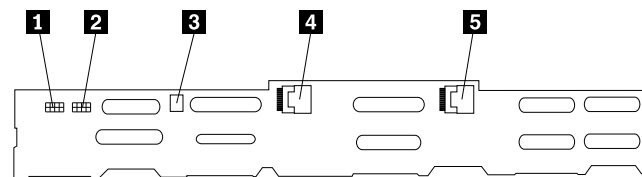


Figure 30. Rear view of the backplane for server models with eight 3.5-inch hard-disk-drive bays

1 8-pin power connector	4 Mini-SAS ports 4-7
2 8-pin power connector	5 Mini-SAS ports 0-3
3 Optical drive power connector	

1 2 8-pin power connector

Used to connect a power cable to provide power to the backplane.

3 Optical drive power connector

Used to connect the power cable for the slim optical drive if the server has one installed.

4 Mini-SAS ports 4-7

Used to connect the mini-SAS connector on one end of a mini-SAS to mini-SAS signal cable to support the hard disk drive 4 to hard disk drive 7.

5 Mini-SAS ports 0-3

Used to connect the mini-SAS connector on one end of a mini-SAS to mini-SAS signal cable to support the hard disk drive 0 to hard disk drive 3.

Backplane for server models with twelve 3.5-inch hard-disk-drive bays

This topic provides information to help you locate the connectors on the backplane for server models with twelve 3.5-inch hard-disk-drive bays.

The following illustrations show the connectors on the backplane for server models with twelve 3.5-inch hard-disk-drive bays.

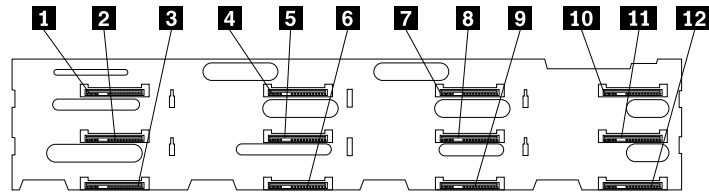


Figure 31. Front view of the backplane for server models with twelve 3.5-inch hard-disk-drive bays

1 Slot 0 for a 3.5-inch hard disk drive	7 Slot 6 for a 3.5-inch hard disk drive
2 Slot 1 for a 3.5-inch hard disk drive	8 Slot 7 for a 3.5-inch hard disk drive
3 Slot 2 for a 3.5-inch hard disk drive	9 Slot 8 for a 3.5-inch hard disk drive
4 Slot 3 for a 3.5-inch hard disk drive	10 Slot 9 for a 3.5-inch hard disk drive
5 Slot 4 for a 3.5-inch hard disk drive	11 Slot 10 for a 3.5-inch hard disk drive
6 Slot 5 for a 3.5-inch hard disk drive	12 Slot 11 for a 3.5-inch hard disk drive

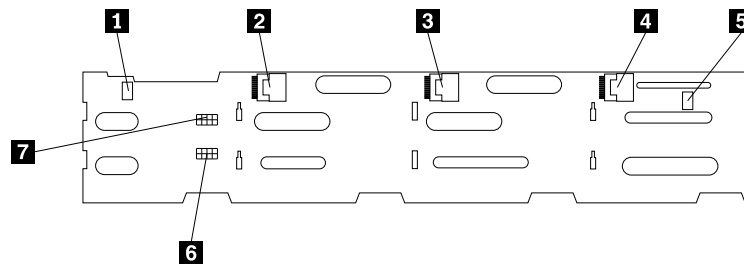


Figure 32. Rear view of the backplane for server models with twelve 3.5-inch hard-disk-drive bays

1 Signal cable connector	5 Signal cable connector
2 Mini-SAS ports 8-11	6 8-pin power connector
3 Mini-SAS ports 4-7	7 8-pin power connector
4 Mini-SAS ports 0-3	

1 Signal cable connector

Used to connect the signal cable for the front controls and LEDs on the right rack handle.

2 Mini-SAS ports 8-11

Used to connect the mini-SAS connector on one end of a mini-SAS to mini-SAS signal cable to support the hard disk drive 8 to hard disk drive 11.

3 Mini-SAS ports 4-7

Used to connect the mini-SAS connector on one end of a mini-SAS to mini-SAS signal cable to support the hard disk drive 4 to hard disk drive 7.

4 Mini-SAS ports 0-3

Used to connect the mini-SAS connector on one end of a mini-SAS to mini-SAS signal cable to support the hard disk drive 0 to hard disk drive 3.

5 Signal cable connector

Used to connect the signal cable for the front USB connectors on the left rack handle.

6 7 8-pin power connector

Used to connect a power cable to provide power to the backplane.

Backplane for server models with 2.5-inch hard-disk-drive bays

This topic provides information to help you locate the connectors on the backplane for server models with 2.5-inch hard-disk-drive bays.

The following illustrations show the connectors on the backplane for server models with 2.5-inch hard-disk-drive bays.

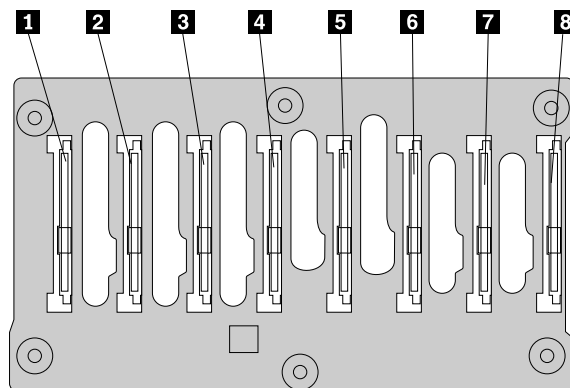


Figure 33. Front view of the backplane for server models with 2.5-inch hard-disk-drive bays

1 Slot 0 for a 2.5-inch hard disk drive or solid-state drive	5 Slot 4 for a 2.5-inch hard disk drive or solid-state drive
2 Slot 1 for a 2.5-inch hard disk drive or solid-state drive	6 Slot 5 for a 2.5-inch hard disk drive or solid-state drive
3 Slot 2 for a 2.5-inch hard disk drive or solid-state drive	7 Slot 6 for a 2.5-inch hard disk drive or solid-state drive
4 Slot 3 for a 2.5-inch hard disk drive or solid-state drive	8 Slot 7 for a 2.5-inch hard disk drive or solid-state drive

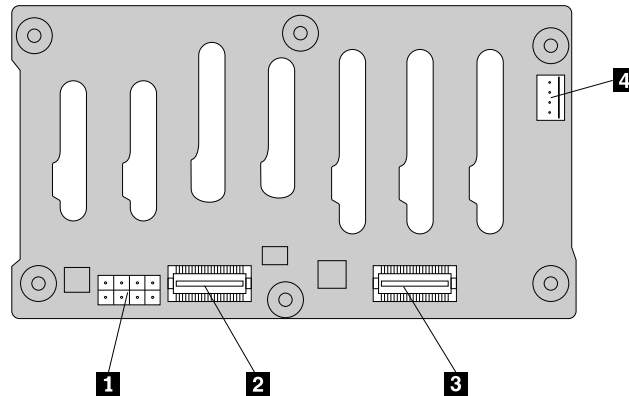


Figure 34. Rear view of the backplane for server models with 2.5-inch hard-disk-drive bays

1 8-pin power connector	3 Mini-SAS ports 0-3
2 Mini-SAS ports 4-7	4 Optical drive power connector

1 8-pin power connector

Used to connect a power cable to provide power to the backplane.

2 Mini-SAS ports 4-7

Used to connect the mini-SAS connector on one end of a mini-SAS to mini-SAS signal cable to support the hard disk drive 4 to hard disk drive 7; or to support the hard disk drive 12 to hard disk drive 15 if the backplane is for hard disk drives in the right cage of the server.

3 Mini-SAS ports 0-3

Used to connect the mini-SAS connector on one end of a mini-SAS to mini-SAS signal cable to support the hard disk drive 0 to hard disk drive 3; or to support the hard disk drive 8 to hard disk drive 11 if the backplane is for hard disk drives in the right cage of the server.

4 Optical drive power connector

Used to connect the power cable for the slim optical drive if the server has one installed.

Connecting the cables

This topic provides instructions on how to connect the mini-SAS to mini-SAS signal cables. This topic contains the following items:

- “Connecting cables from the RAID card to the backplane” on page 47
- “Connecting cables from the RAID card to the expander card, and then from the expander card to the backplanes” on page 48
- “Connecting cables from the system board to the backplane” on page 51

Connecting cables from the RAID card to the backplane

If your server has a supported RAID card installed, you can connect cables from the RAID card to the backplane to support up to eight hard disk drives and advanced hardware RAID functions.

Note: The option kit for a RAID card is designed for different types of servers and might contain additional cables that are not required for your server.

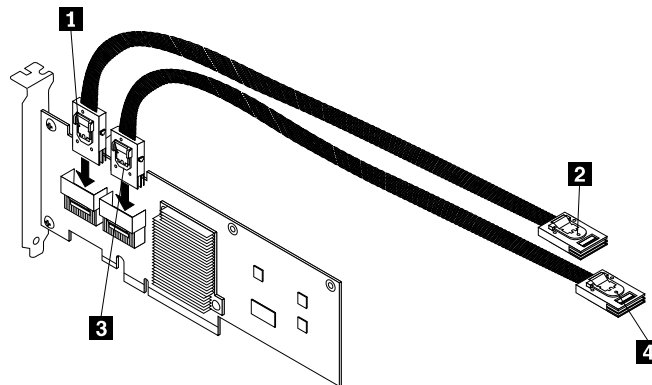


Figure 35. Connecting cables from the RAID card to the backplane

To connect cables from the RAID card to the backplane, do one of the following depending on the type of your RAID card:

- If you are using a ThinkServer RAID 500 Adapter, do the following:
 1. Use the mini-SAS to mini-SAS signal cable. Connect the mini-SAS connector **1** to the port 0 on the RAID card. Then, connect the mini-SAS connector **2** to the mini-SAS ports 0-3 on the backplane.
 2. If your server has more than four hard disk drives installed, use the other mini-SAS to mini-SAS signal cable. Connect the mini-SAS connector **3** to the port 1 on the RAID card. Then, connect the mini-SAS connector **4** to the mini-SAS ports 4-7 on the backplane.
- If you are using a ThinkServer RAID 700 Adapter, do the following:
 1. Use one mini-SAS to mini-SAS signal cable. Connect the mini-SAS connector **3** to the ports 3-0 on the RAID card. Then, connect the mini-SAS connector **4** to the mini-SAS ports 0-3 on the backplane.
 2. If your server has more than four hard disk drives installed, use the other mini-SAS to mini-SAS signal cable. Connect the mini-SAS connector **1** to the ports 7-4 on the RAID card. Then, connect the mini-SAS connector **2** to the mini-SAS ports 4-7 on the backplane.
- If you are using a ThinkServer RAID 710 Adapter, do the following:
 1. Use the mini-SAS to mini-SAS signal cable. Connect the mini-SAS connector **1** to the port 1 on the RAID card. Then, connect the mini-SAS connector **2** to the mini-SAS ports 0-3 on the backplane.
 2. If your server has more than four hard disk drives installed, use the other mini-SAS to mini-SAS signal cable. Connect the mini-SAS connector **3** to the port 2 on the RAID card. Then, connect the mini-SAS connector **4** to the mini-SAS ports 4-7 on the backplane.

Refer to the following topics for information about the connector locations and the power cable connections:

- “Hot-swap hard-disk-drive backplane” on page 43
- “RAID card” on page 40
- “System board components” on page 52

Connecting cables from the RAID card to the expander card, and then from the expander card to the backplanes

To support more than eight and up to twelve 3.5-inch hard disk drives or up to sixteen 2.5-inch hard disk drives, your server must have a supported RAID card and an expander card installed. You need to connect cables from the RAID card to the expander card, and then from the expander card to the backplanes.

Use the following instructions to connect cables from the RAID card to the expander card first:

- If you are using a ThinkServer RAID 500 Adapter, do the following:
 1. Use a mini-SAS to mini-SAS signal cable and connect the mini-SAS connector on one end of the cable to the port 0 on the ThinkServer RAID 500 Adapter. Then, connect the mini-SAS connector on the other end of the cable to the connector 1 on the expander card.
 2. Use another mini-SAS to mini-SAS signal cable and connect the mini-SAS connector on one end of the cable to the port 1 on the ThinkServer RAID 500 Adapter. Then, connect the mini-SAS connector on the other end of the cable to the connector 2 on the expander card.
- If you are using a ThinkServer RAID 700 Adapter, do the following:
 1. Use a mini-SAS to mini-SAS signal cable and connect the mini-SAS connector on one end of the cable to the ports 3-0 on the ThinkServer RAID 700 Adapter. Then, connect the mini-SAS connector on the other end of the cable to the connector 1 on the expander card.
 2. Use another mini-SAS to mini-SAS signal cable and connect the mini-SAS connector on one end of the cable to the ports 7-4 on the ThinkServer RAID 700 Adapter. Then, connect the mini-SAS connector on the other end of the cable to the connector 2 on the expander card.
- If you are using a ThinkServer RAID 710 Adapter, do the following:
 1. Use a mini-SAS to mini-SAS signal cable and connect the mini-SAS connector on one end of the cable to the ports 1 on the ThinkServer RAID 710 Adapter. Then, connect the mini-SAS connector on the other end of the cable to the connector 1 on the expander card.
 2. Use another mini-SAS to mini-SAS signal cable and connect the mini-SAS connector on one end of the cable to the ports 2 on the ThinkServer RAID 710 Adapter. Then, connect the mini-SAS connector on the other end of the cable to the connector 2 on the expander card.

Refer to the following topics for information about the connector locations on the RAID card and expander card:

- “RAID card” on page 40
- “Expander card” on page 42

Use the following instructions to connect cables from the expander card to the backplanes for 2.5-inch hard disk drives:

1. For hard disk drive 0 to hard disk drive 3, use a mini-SAS to mini-SAS signal cable and connect the mini-SAS connector **1** on one end of the cable to the connector 3 on the expander card. Then, connect the mini-SAS connector on the other end of the cable to the mini-SAS ports 0-3 on the backplane for 2.5-inch hard disk drives in the middle cage.
2. For hard disk drive 4 to hard disk drive 7, use a mini-SAS to mini-SAS signal cable and connect the mini-SAS connector **2** on one end of the cable to the connector 4 on the expander card. Then, connect the mini-SAS connector on the other end of the cable to the mini-SAS ports 4-7 on the backplane for 2.5-inch hard disk drives in the middle cage.
3. For hard disk drive 8 to hard disk drive 11, use a mini-SAS to mini-SAS signal cable and connect the mini-SAS connector **3** on one end of the cable to the connector 5 on the expander card. Then, connect the mini-SAS connector on the other end of the cable to the mini-SAS ports 0-3 on the backplane for 2.5-inch hard disk drives in the right cage.
4. If your server has more than 12 hard disk drives installed, for hard disk drive 12 to hard disk drive 15, use a mini-SAS to mini-SAS signal cable and connect the mini-SAS connector **4** on one end of the cable to the connector 6 on the expander card. Then, connect the mini-SAS connector on the other end of the cable to the mini-SAS ports 4-7 on the backplane for 2.5-inch hard disk drives in the right cage.

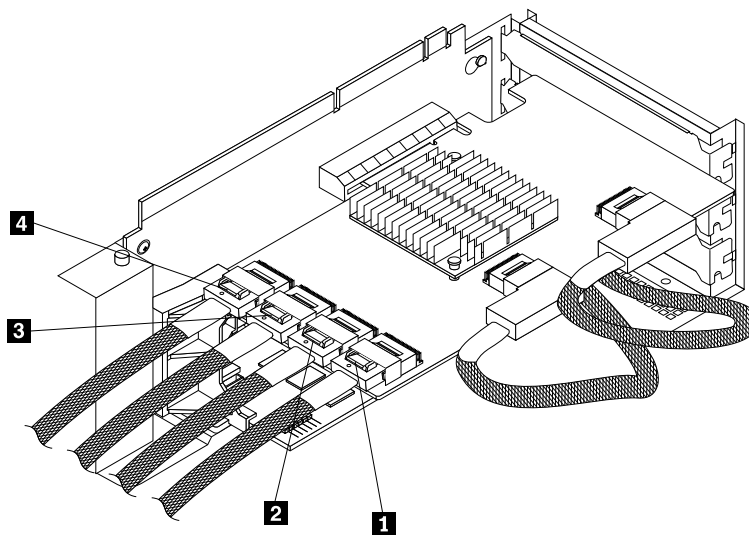


Figure 36. Connecting cables from the expander card to the backplanes for 2.5-inch hard disk drives

Refer to the following topics for information about the connector locations and the power cable connections:

- “Hot-swap hard-disk-drive backplane” on page 43
- “Expander card” on page 42
- “System board components” on page 52

Use the following instructions to connect cables from the expander card to the backplane for twelve 3.5-inch hard disk drives:

1. For hard disk drive 0 to hard disk drive 3, use a mini-SAS to mini-SAS signal cable and connect the mini-SAS connector **1** on one end of the cable to the connector 3 on the expander card. Then, connect the mini-SAS connector on the other end of the cable to the mini-SAS ports 0-3 on the backplane for twelve 3.5-inch hard disk drives.
2. For hard disk drive 4 to hard disk drive 7, use a mini-SAS to mini-SAS signal cable and connect the mini-SAS connector **2** on one end of the cable to the connector 4 on the expander card. Then, connect the mini-SAS connector on the other end of the cable to the mini-SAS ports 4-7 on the backplane for twelve 3.5-inch hard disk drives.
3. For hard disk drive 8 to hard disk drive 11, use a mini-SAS to mini-SAS signal cable and connect the mini-SAS connector **3** on one end of the cable to the connector 5 on the expander card. Then, connect the mini-SAS connector on the other end of the cable to the mini-SAS ports 8-11 on the backplane for twelve 3.5-inch hard disk drives.

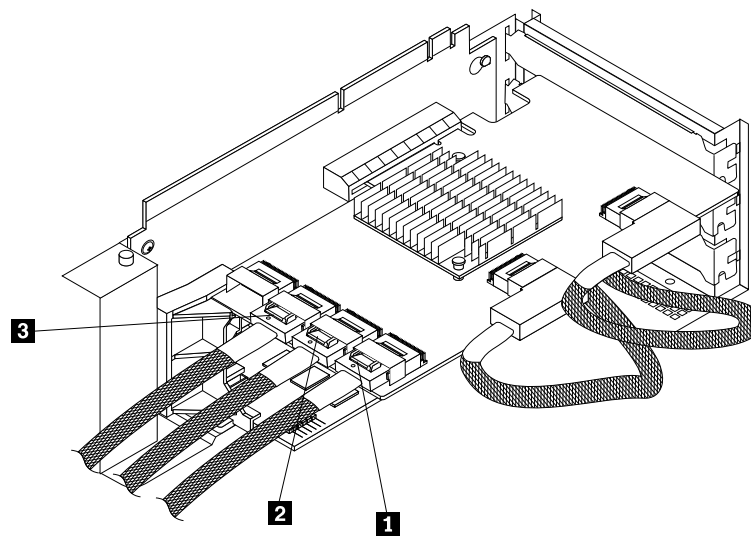


Figure 37. Connecting cables from the expander card to the backplane for twelve 3.5-inch hard disk drives

Refer to the following topics for information about the connector locations and the power cable connections:

- “Hot-swap hard-disk-drive backplane” on page 43
- “Expander card” on page 42
- “System board components” on page 52

Connecting cables from the system board to the backplane

Your server has two SAS connectors on the system board to support up to eight hard disk drives.

If you connect the mini-SAS to mini-SAS signal cables from the system board to the backplane, you can configure RAID for the hard disk drives using the functions of the ThinkServer RAID 300 (also known as the onboard SAS software RAID).

Use the following instructions to connect cables from the system board to the backplane:

1. For hard disk drive 0 to hard disk drive 3, use a mini-SAS to mini-SAS signal cable and connect the mini-SAS connector on one end of the cable to the SAS connector 0-3 on the system board. Then,

connect the mini-SAS connector on the other end of the cable to the mini-SAS ports 0-3 on the backplane.

2. If your server has more than four hard disk drives installed, for hard disk drive 4 to hard disk drive 7, use another mini-SAS to mini-SAS signal cable and connect the mini-SAS connector on one end of the cable to the SAS connector 4-7 on the system board. Then, connect the mini-SAS connector on the other end of the cable to the mini-SAS ports 4-7 on the backplane.

Refer to the following topics for information about the connector locations and the power cable connections:

- “Hot-swap hard-disk-drive backplane” on page 43
- “System board components” on page 52

System board components

The following illustration shows the component locations on the system board.

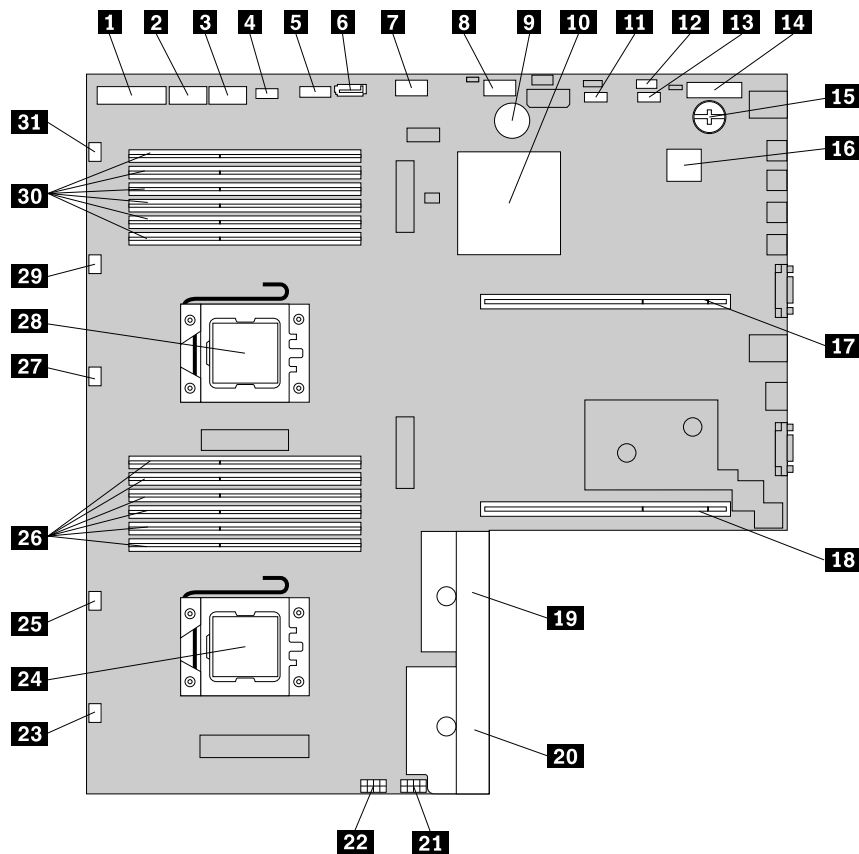


Figure 38. System board components

1 Front panel connector	17 Riser card assembly 1 slot
2 Internal USB connector 1	18 Riser card assembly 2 slot
3 Internal USB connector 2	19 Redundant power supply connector 1
4 Diagnostic module connector	20 Redundant power supply connector 2
5 Front VGA connector	21 Backplane power connector 1
6 SATA connector 0	22 Backplane power connector 2

7 SAS connector 4-7	23 System fan 6 connector
8 SAS connector 0-3	24 Microprocessor socket 2
9 Coin-cell battery	25 System fan 5 connector
10 Platform Controller Hub (PCH)	26 Memory slots (6)
11 Internal USB Type A connector 2	27 System fan 3 connector
12 TMM Premium connector	28 Microprocessor socket 1
13 Internal USB Type A connector 1	29 System fan 2 connector
14 TPM connector	30 Memory slots (6)
15 iButton socket	31 System fan 1 connector
16 ThinkServer Management Module	

1 Front panel connector

Used to connect the front panel cable if your server has a front panel board installed.

2 Internal USB connector 1

Used to connect the front panel USB cable if your server has a front panel board installed.

3 Internal USB connector 2

Reserved for the manufacturer.

4 Diagnostic module connector

Used to connect the cable of the diagnostic module if your server has a diagnostic module installed.

5 Front VGA connector

Used to connect the cable of the VGA DB-15 connector on the front panel of some server models.

6 SATA connector 0

Used to connect the signal cable of the slim optical drive if your server has a slim optical drive installed.

7 SAS connector 4-7

Used to connect the mini-SAS connector on one end of a mini-SAS to mini-SAS signal cable to support the hard disk drive 4 to hard disk drive 7.

8 SAS connector 0-3

Used to connect the mini-SAS connector on one end of a mini-SAS to mini-SAS signal cable to support the hard disk drive 0 to hard disk drive 3.

9 Coin-cell battery

Your server has a special type of memory that maintains the date, time, and configuration information for built-in features. The coin-cell battery keeps the information active when you turn off the server.

10 Platform Controller Hub (PCH)

This chip supports and provides many features. It serves as a PCH, which provides the data buffering and interface arbitration required to ensure that system interfaces operate efficiently and provides the bandwidth necessary for the system to achieve peak performance.

11 Internal USB Type A connector 2

13 Internal USB Type A connector 1

Used to connect a device that uses a USB Type A connector. For example, in some situations, you might want to connect a USB key directly to the system board. In this case, you can connect it to an internal USB Type A connector.

12 TMM Premium connector

Used to connect a server option named as ThinkServer Management Module Premium (TMM Premium) to enable advanced remote management functions on your server. See “Installing or removing the ThinkServer Management Module Premium” on page 127.

14 TPM connector

Used to connect a TPM, which is a security chip, to enhance server security. See “Installing or removing the ThinkServer Trusted Platform Module” on page 130.

15 iButton socket

Your server supports ThinkServer RAID 300, which includes onboard SAS software RAID levels 0, 1, and 10. You also can activate onboard SAS software RAID 5 by installing a ThinkServer RAID 300 Upgrade Key for Advanced RAID in the iButton socket. For more information, see “Installing or removing the ThinkServer RAID 300 Upgrade Key for Advanced RAID” on page 123.

16 ThinkServer Management Module

With the integrated ThinkServer Management Module (also known as the BMC chip), no matter what condition the server operating system is in and no matter if the server is on or off, as long as the server is connected to network and an ac power source, the interaction with the TMM controlled servers can be achieved through system network. The user can obtain the server hardware health information and SEL, and is able to conduct the operations including turning on or off the server, restarting the server, and so on. This part of the server management is independent of the operating system and is called out-of-band management.

17 Riser card assembly 1 slot

Used to install the riser card assembly 1.

18 Riser card assembly 2 slot

Used to install the riser card assembly 2.

19 Redundant power supply connector 1

20 Redundant power supply connector 2

Used to connect a hot-swap redundant power supply.

21 Backplane power connector 1

22 Backplane power connector 2

Used to connect the power cables from the backplane.

23 25 27 29 31 System fan connectors

There are five hot-swap system fans and one dummy system fan installed in the system fan cage in your server. Each system fan connector is used to connect a corresponding hot-swap system fan.

24 Microprocessor socket 2

28 Microprocessor socket 1

If the server has two microprocessors, each of the microprocessor is secured in the microprocessor socket on the system board. A heat sink is installed above the microprocessor to provide cooling. If the server has only one microprocessor, the microprocessor socket 2 is protected by a microprocessor socket cover.

26 30 Memory slots

There are 12 memory slots on the system board. For detailed information, see “Memory module installation rules” on page 99.

System board jumpers and switches

This topic provides information about the jumpers and switches on the system board.

Note: Depending on the model, your server might look slightly different from the illustrations in this topic.

A jumper is a short length of conductor used to set up or adjust a printed circuit board, such as the system board of a computer. A jumper usually is encased in a non-conductive block of plastic for convenient use and to avoid any possible damage to a live circuit. Jumper pins arranged in groups on the system board are called jumper blocks. When two or more jumper pins are capped with a jumper, an electrical connection is made between them and the equipment is thus instructed to activate certain settings accordingly.

The following illustration shows a jumper in the default setting position (pin 1 and pin 2). This is the correct position for normal operation.

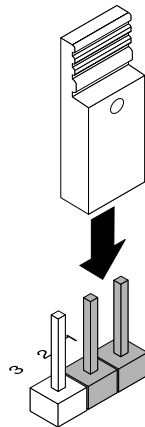


Figure 39. Default jumper setting

The following illustration shows the status of the jumpers and switches on the system board of your server. You can configure, recover, enable, or disable some specific features of the system board by setting the jumpers and switches.

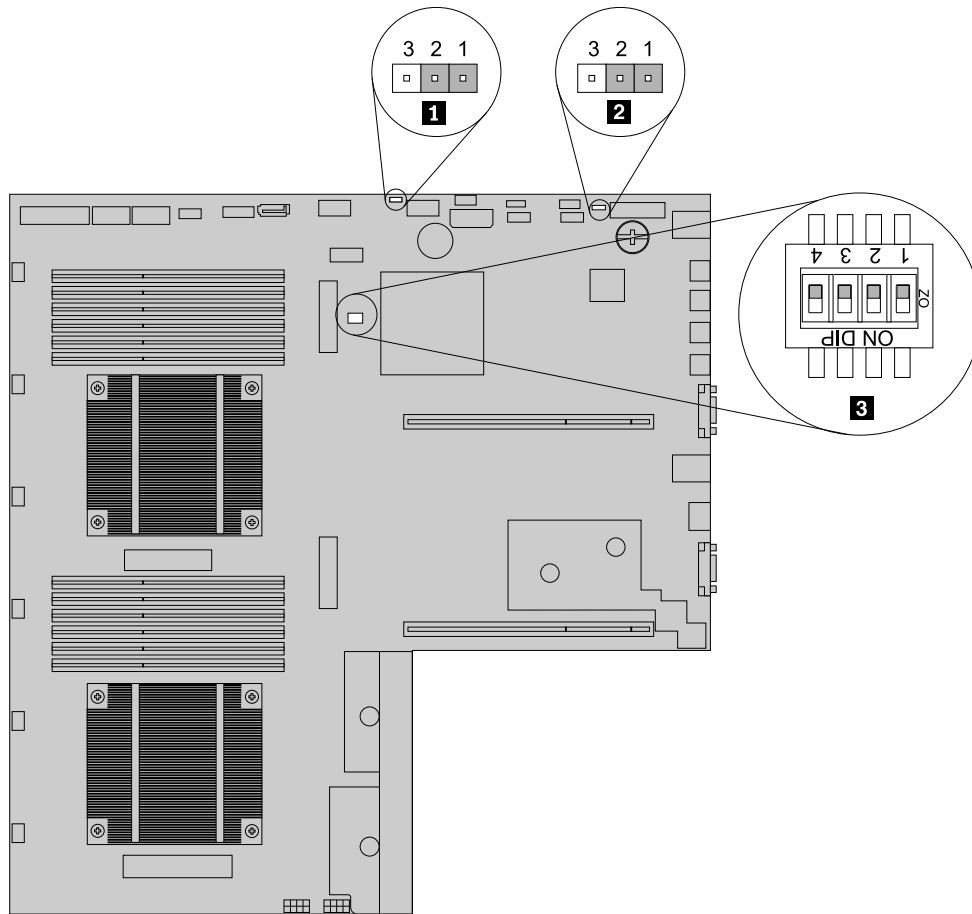


Figure 40. System board jumpers and switches

1 Clear CMOS (Complementary Metal Oxide Semiconductor) jumper
2 TMM Enable/Disable jumper (also known as BMC Enable/Disable jumper)
3 System board switches

Attention: To set the jumpers or switches, you need to remove the server cover and gain access to the system board. Do not open your server or attempt any repair before reading and understanding “Safety information” on page iii and “Guidelines” on page 85.

1 Clear CMOS jumper

Used to clear CMOS and turn the BIOS settings into the factory default settings.

Note: Clearing CMOS does not erase your BIOS passwords.

To clear CMOS, do the following:

1. Remove all media from the drives and turn off all attached devices and the server. Then, disconnect all power cords from electrical outlets and disconnect all cables that are connected to the server.

2. If the server is installed in a rack cabinet, remove the server from the rack cabinet and place it on a flat, clean, and static-protective surface. See the *Rack Installation Instructions* that comes with the server.
3. Remove the server cover. See “Removing the server cover” on page 87.
4. If necessary, remove the cooling shroud. See “Removing and reinstalling the cooling shroud” on page 95.
5. Locate the Clear CMOS jumper on the system board. Then, remove any parts and disconnect any cables that might impede your access to the jumper.
6. Move the Clear CMOS jumper from the default normal position (pin 1 and pin 2) to the short-circuited position (pin 2 and pin 3).
7. Wait more than 10 seconds and then move the Clear CMOS jumper back to the normal position (pin 1 and pin 2).
8. Reinstall any parts and reconnect any cables. Then, reinstall the server cover. See “Completing the parts replacement” on page 195.
9. Connect the server to an ac power source and wait about 30 seconds. Then, turn on the server. The BIOS settings turn to the factory default settings.

2 TMM Enable/Disable jumper (also known as BMC Enable/Disable jumper)

When the TMM Enable/Disable jumper is in the default normal position (pin 1 and pin 2), the server needs about 30 seconds for the TMM to initialize whenever you connect the server to an ac power source. If you press the power button on the front of the chassis during this period, the server will not start immediately; it will start after the TMM initialization finishes.

If you move the TMM Enable/Disable jumper to pin 2 and pin 3, the TMM function is not available and the server will be directly turned on when you press the power button without waiting for the TMM to be ready.

3 System board switches

There are four switches on the system board of your server.

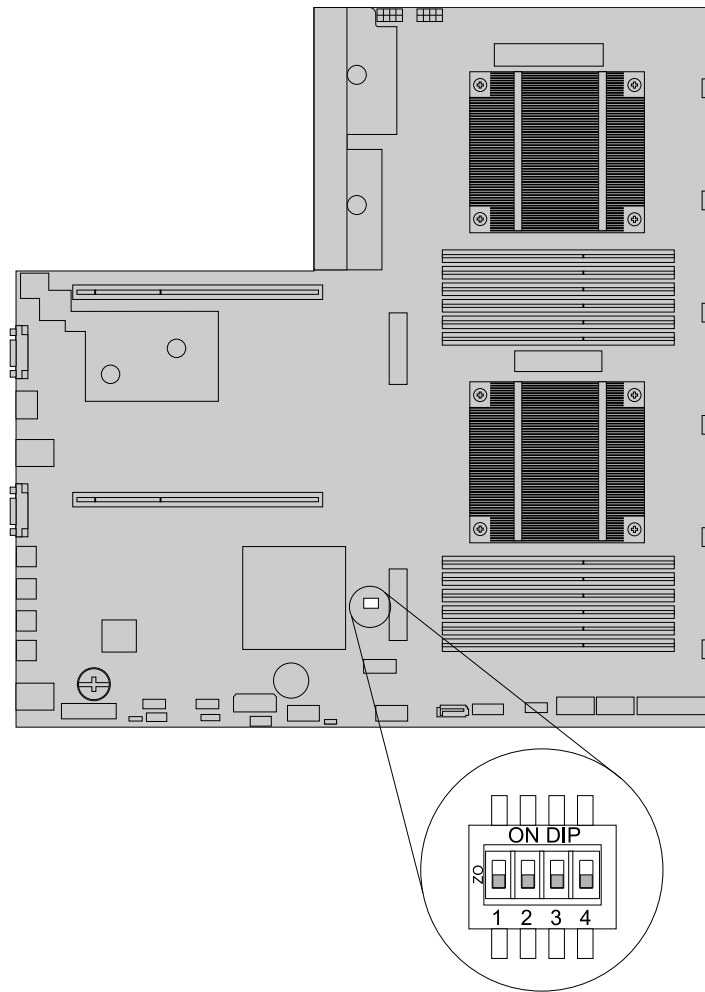


Figure 41. System board switches

1 BIOS recovery switch	3 Management Engine (ME) in force update switch
2 Clear password switch	4 Reserved for the manufacturer

1 BIOS recovery switch

Used to recover the BIOS if the power to your server is interrupted while the BIOS is being updated and your server cannot start correctly.

To recover the BIOS, see “Recovering from a BIOS update failure” on page 71.

2 Clear password switch

Used to erase forgotten passwords, such as the BIOS passwords.

To clear passwords, do the following:

1. Remove all media from the drives and turn off all attached devices and the server. Then, disconnect all power cords from electrical outlets and disconnect all cables that are connected to the server.
2. If the server is installed in a rack cabinet, remove the server from the rack cabinet and place it on a flat, clean, and static-protective surface. See the *Rack Installation Instructions* that comes with the server.
3. Remove the server cover. See “Removing the server cover” on page 87.
4. Locate the Clear password switch on the system board. Then, remove any parts and disconnect any cables that might impede your access to the switch.
5. Move the Clear password switch from the default off position to the on position.
6. Wait more than five seconds and then move the Clear password switch back to the off position.
7. Reinstall any parts and reconnect any cables. Then, reinstall the server cover. See “Completing the parts replacement” on page 195.
8. Connect the server to an ac power source and wait about 30 seconds. Then, turn on the server. The BIOS passwords are erased, including the administrator password and user password.
9. To set new passwords, see “Using passwords” on page 67.

3 ME in force update switch

Used to update (flash) the ME.

The ME updating process usually is contained in the BIOS updating (flashing) process.

Note: Only some BIOS versions contain the parameters for updating the ME. If you want to update the ME, ensure that your BIOS version contains the required parameters.

To update the ME, do the following:

1. Remove all media from the drives and turn off all attached devices and the server. Then, disconnect all power cords from electrical outlets and disconnect all cables that are connected to the server.
2. If the server is installed in a rack cabinet, remove the server from the rack cabinet and place it on a flat, clean, and static-protective surface. See the *Rack Installation Instructions* that comes with the server.
3. Remove the server cover. See “Removing the server cover” on page 87.
4. Locate the ME in force update switch on the system board. Then, remove any parts and disconnect any cables that might impede your access to the switch.
5. Move the ME in force update switch from the default off position to the on position.
6. Reinstall any parts and reconnect any cables. Then, reinstall the server cover. See “Completing the parts replacement” on page 195.
7. Connect the server to an ac power source. Then, update the BIOS. See “Updating (flashing) the BIOS” on page 70.
8. Repeat step 1 through step 4.
9. Move the ME in force update switch back to the off position.
10. Reinstall any parts and reconnect any cables. Then, reinstall the server cover. See “Completing the parts replacement” on page 195.
11. Connect the server to an ac power source and turn on the server. The BIOS and ME have been updated. You need to check and configure the BIOS settings for your specific needs. See “Using the Setup Utility program” on page 63.

System board LEDs

This topic helps you to locate the LEDs on the system board.

Note: Depending on the model, your server might look slightly different from the illustrations in this topic.

The server is designed so that LEDs remain lit when the server is connected to an ac power source but is not turned on, if the power supply is operating correctly. This helps you to isolate problems when the server is not turned on. Many errors are first indicated by a lit error LED on the diagnostic panel of some server models. If an LED is lit, one or more LEDs elsewhere in the server might also be lit to direct you to the source of the error.

The following illustration shows the TMM status LED and system fan error LEDs on the system board.

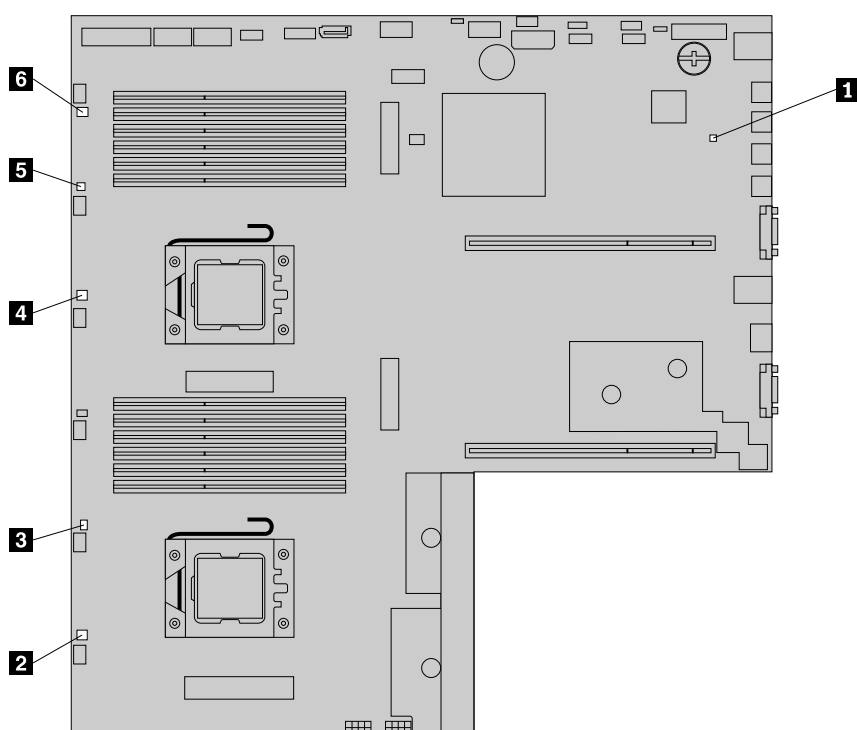


Figure 42. System board LEDs

1 TMM status LED (also known as BMC status LED)

This LED indicates the status of the onboard ThinkServer Management Module (TMM, also known as BMC).

TMM status LED	Color	Description
On	Green	The TMM is not ready.
Off	None	The TMM has no power or has failed.
Blinking	Green	The TMM is working.

2 - 6 System fan error LEDs

When a system fan error LED on the system board is lit, it indicates that the corresponding system fan is operating slowly or has failed. To solve the problem, you might need to reinstall or replace the system fan. See “Replacing a system fan” on page 183. If it is a system board problem, contact the Lenovo Customer Support Center.

Chapter 4. Turning on and turning off the server

This chapter provides information about turning on and turning off the server.

Turning on the server

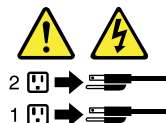
The server can be turned on in one of the following ways:

- After you finish unpacking and setting up the server, connect it to an ac power source. Press the power button on the front of the chassis to turn on the server. The server needs about 30 seconds for the ThinkServer Management Module (TMM, also known as BMC) to initialize whenever you connect the server to an ac power source. If you press the power button during this period, the server will not start immediately; it will start after the TMM initialization finishes.
 - When the Wake on LAN feature is enabled on the server that is connected to an ac power source and a LAN, a network administrator can remotely turn on or wake up the server from a management console using remote network management software.
 - You also can use the related TMM feature to turn on the server through the management LAN remotely. For more information about the TMM, refer to the *ThinkServer Management Module User Guide*, which is available for download at:
<http://www.lenovo.com/UserManuals>
-

Turning off the server

CAUTION:

The power control button on the device and the power switch on the power supply do not turn off the electrical current supplied to the device. The device also might have more than one power cord. To remove all electrical current from the device, ensure that all power cords are disconnected from the power source.



The server can be turned off in one of the following ways:

- Turn off the server from the operating system if your operating system supports this feature. After an orderly shutdown of the operating system, the server will turn off automatically. For instructions on how to shut down your specific operating system, refer to the related documentation or help system for the operating system.
- Press the power button on the front of the chassis to start an orderly shutdown of the operating system and turn off the server, if your operating system supports this feature.
- If your server stops responding and you cannot turn it off, press and hold the power button on the front of the chassis for four seconds or more. If you still cannot turn off the server, disconnect all power cords from the server.
- If the server is connected to a LAN, a network administrator can remotely turn off the server from a management console using remote network management software.
- You also can use the related TMM feature to turn off the server through the management LAN remotely. For more information about the TMM, refer to the *ThinkServer Management Module User Guide*, which is available for download at:
<http://www.lenovo.com/UserManuals>

- The server might be turned off as an automatic response to a critical system failure.

Notes:

- When you turn off the server and leave it connected to an ac power source, the server also can respond to a remote request to turn on the server. To remove all power from the server, you must disconnect the server from the ac power source.
- For information about your specific operating system, refer to the related documentation or help system for the operating system.

Chapter 5. Configuring the server

This chapter provides the following information to help you configure the server:

- “Using the Setup Utility program” on page 63
- “Using the ThinkServer EasyStartup program” on page 71
- “Configuring RAID” on page 74
- “Configuring the Ethernet controllers” on page 82
- “Updating the firmware” on page 83
- “Using the Lenovo ThinkServer EasyManage program” on page 83

Using the Setup Utility program

This topic provides information about using the Setup Utility program.

The Setup Utility program is part of the server firmware. You can use the Setup Utility program to view and change the configuration settings of your server, regardless of which operating system you are using. However, the operating system settings might override any similar settings in the Setup Utility program.

Starting the Setup Utility program

This topic provides instructions on how to start the Setup Utility program.

To start the Setup Utility program, do the following:

1. Connect the server to an ac power source and press the power button on the front panel to turn on the server. See “Turning on the server” on page 61.
2. Press the F1 key as soon as you see the logo screen. Then, wait for several seconds, and the Setup Utility program opens. If you have set a password, you need to type the correct password to enter the Setup Utility program. For password information, see “Using passwords” on page 67.

Viewing information in the Setup Utility program

The Setup Utility program menu lists various items about the system configuration. Select a desired item to view information or change settings.

When working with the Setup Utility program, you must use the keyboard. The keys used to perform various tasks are displayed on the right bottom pane of each screen. You also can press the F1 key for general help about the keys. For most items, the corresponding help message is displayed on the right top pane of the screen when the item is selected. If the item has submenus, you can display the submenus by pressing Enter.

You can view the following information about your specific server model in the Setup Utility program:

- The **Main** menu lists information about the BIOS, microprocessor type, microprocessor speed and core numbers, total memory size, and system date and time.
- On the **Advanced** menu:
 - Select **Processor Configuration** and follow the instructions on the screen to view information about the installed microprocessor and its supported technologies.
 - Select **Memory Configuration** and follow the instructions on the screen to view information about the installed memory modules.

- Select **SATA/SAS Configuration** and follow the instructions on the screen to view information about the installed SATA or SAS devices, such as a hard disk drive or an optical drive.
- On the **Server Management** menu, select **System Information** to view information about your system.

Setup Utility program interface

This topic provides general information about the menus and items in the Setup Utility program.

Depending on the BIOS version of your server, some menu or item information might differ slightly from the information in this topic.

Notes:

- The default settings already are optimized for you. Use the default value for any item you are not familiar with. Do not change the value of unfamiliar items to avoid unexpected problems. If you consider changing the server configuration, proceed with extreme caution. Setting the configuration incorrectly might cause unexpected results. If you cannot turn on the server because of incorrect BIOS settings, use the Clear CMOS jumper to restore the BIOS settings to the factory default settings. See “System board jumpers and switches” on page 55.
- If you have changed any hardware in the server, you might need to reflash the BIOS, the TMM firmware, and the FRU/Sensor Data Records (SDR).

The Setup Utility program main interface consists of the following menus:

- “Main menu” on page 64
- “Advanced menu” on page 64
- “Security menu” on page 65
- “Server Management menu” on page 65
- “Boot Options menu” on page 66
- “Boot Manager menu” on page 66
- “Save & Exit menu” on page 66

Lenovo provides the BIOS update utility on the Lenovo Support Web site. You can download the BIOS update utility to update the BIOS if the newer BIOS version specifically solves a problem you have. See “Updating or recovering the BIOS” on page 69.

If the power to your server is interrupted while the BIOS is being updated and your server cannot start correctly, use the BIOS recovery switch to recover from a BIOS update failure. See “System board jumpers and switches” on page 55.

Main menu

After entering the Setup Utility program, you can see the **Main** menu, which lists basic information about the BIOS, microprocessor type, microprocessor speed and core numbers, total memory size, and system date and time.

To set the system date and time on the **Main** menu, see “Setting the system date and time” on page 66.

Advanced menu

You can view or change various server component settings on the **Advanced** menu in the Setup Utility program. The **Advanced** menu contains various configuration submenus and items. On each submenu, press Enter to show selectable options and select a desired option by using the up and down arrow keys or type desired values from the keyboard. Some items are displayed on the menu only if the server supports the corresponding features.

Notes:

- **Enabled** means that the function is configured.
- **Disabled** means that the function is not configured.

The **Advanced** menu contains the following submenus. For more information, enter the corresponding submenu and refer to the instructions on the screen.

- **PCI/PCIE Configuration:** View and set PCI configuration parameters.
- **ACPI Configuration:** View and set ACPI configuration parameters.
- **Processor Configuration:** View information about the installed microprocessors and set microprocessor configuration parameters.
- **Memory Configuration:** View information about the installed memory modules and set memory configuration parameters.
- **Chipset Configuration:** View and set chipset configuration parameters.
- **SATA/SAS Configuration:** View information about the installed SATA or SAS devices and set SATA or SAS configuration parameters.
- **USB Configuration:** View and set USB configuration parameters, such as enabling or disabling USB devices.
- **Serial Configuration:** View and set serial connector configuration parameters.
- **UEFI Network Setup:** View and set UEFI Ipv4 PXE and UEFI Ipv6 PXE configuration parameters.
- **iSCSI Configuration:** View and configure the iSCSI parameter.

Security menu

You can set passwords and configure the TPM function on the **Security** menu in the Setup Utility program. For each menu item, press Enter to show selectable options and select a desired option by using the up and down arrow keys or type desired values from the keyboard. Some items are displayed on the menu only if the server supports the corresponding features.

Notes:

- **Enabled** means that the function is configured.
- **Disabled** means that the function is not configured.

The **Security** menu contains the following items:

- **Administrator Password:** Set an administrator password to protect against unauthorized access to your server. See “Using passwords” on page 67.
- **User Password:** Set a user password to protect against unauthorized access to your server. See “Using passwords” on page 67.
- **TPM/TCM:** Configure the TPM function if your server has a TPM installed in the TPM connector on the system board. See “Configuring the TPM function” on page 68.

Server Management menu

You can view system information and view or change event log and BMC settings on the **Server Management** menu in the Setup Utility program. On each submenu, press Enter to view the information or show selectable options and select a desired option by using the up and down arrow keys. Some items are displayed on the menu only if the server supports the corresponding features.

The **Server Management** menu contains the following submenus. For more information, enter the corresponding submenu and refer to the instructions on the screen.

- **Erase SEL:** Erase system event log (SEL).
- **System Information:** View basic information about your server.
- **BMC Network Configuration:** Set BMC configuration parameters.

Boot Options menu

The **Boot Options** menu in the Setup Utility program provides an interface to help you view or change the server startup options, including the startup sequence and boot priority for various devices. Changes in the startup options take effect when the server starts.

The startup sequence specifies the order in which the server checks devices to find a boot record. The server starts from the first boot record that it finds. For example, you can define a startup sequence that checks a disc in the optical drive, then checks the hard disk drive, and then checks a network device. For information about setting the startup sequence or selecting a startup device, see “Selecting a startup device” on page 68.

Boot Manager menu

The **Boot Manager** menu in the Setup Utility program lists all the bootable devices installed in your server and the listed items vary depending on your server configuration. If you select a desired device listed on this menu, the server will start from the device you select.

You can press F12 when turning on the server and select a temporary startup device from the boot device selection window. See “Selecting a startup device” on page 68.

Save & Exit menu

After you finish viewing or changing settings in the Setup Utility program, you can choose a desired action from the **Save & Exit** menu to save changes, discard changes, or load default values, and exit the program. Press Enter to select the item on the **Save & Exit** menu and then select **Yes** when prompted to confirm the action. For information about exiting the Setup Utility program, see “Exiting the Setup Utility program” on page 69.

The **Save & Exit** menu contains the following items:

- **Save Changes and Exit:** Save changes and exit the Setup Utility program.
- **Save Changes and Reset:** Save changes and then continue with the configuration in the Setup Utility program.
- **Discard Changes and Exit:** Discard changes, load previous values, and then exit the Setup Utility program.
- **Discard Changes:** Discard changes and load previous values.
- **Restore Defaults:** Return to the optimized default settings.
- **Save as User Defaults:** Save the current settings as user default values.
- **Restore User Defaults:** Restore the user default values for all the items.

Setting the system date and time

This topic provides instructions on how to set the system date and time in the Setup Utility program.

To set the system date and time in the Setup Utility program, do the following:

1. Start the Setup Utility program. See “Starting the Setup Utility program” on page 63.
2. On the **Main** menu, select **System Date** or **System Time**.
3. Use the Tab key to switch between data elements and type the numbers from the keyboard to set the system date and time.

4. Press F10 to save settings and exit the Setup Utility program.

Using passwords

By using the Setup Utility program, you can set a password to prevent unauthorized access to your server.

You do not have to set a password to use your server. However, using a password improves computing security. If you decide to set a password, read the following topics.

Setup Utility program password types

The following types of passwords are available in the Setup Utility program:

- **Administrator password**

Setting an administrator password deters unauthorized users from changing configuration settings. If you are responsible for maintaining the configuration settings of several computers, you might want to set an administrator password. When an administrator password is set, you are prompted to type a valid password each time you try to access the Setup Utility program. The Setup Utility program cannot be accessed until a valid password is typed in.

- **User password**

When a user password is set, the server cannot be used until a valid password is typed in.

Note: If both the administrator password and user password are set, you can type either password to use the server. However, you must use your administrator password to change any configuration settings.

Password considerations

For security reasons, it is recommended to use a strong password that cannot be easily compromised.

Notes:

- The Setup Utility program passwords are not case-sensitive.
- The server supports Setup Utility program passwords that consist of three to 20 characters.

To set a strong password, use the following guidelines:

- Have at least eight characters in length
- Contain at least one alphabetic character and one numeric character
- Not be your name or your user name
- Not be a common word or a common name
- Be different from your previous passwords

Besides the alphabetic characters (a-z) and numeric characters (0-9), the server also supports characters typed using special keys on the keyboard for a password. Refer to the help message on the screen when setting a password to determine the valid special characters.

Setting, changing, or deleting a password

This topic provides instructions on how to set, change, or delete a password in the Setup Utility program.

To set, change, or delete a password in the Setup Utility program, do the following:

1. Start the Setup Utility program. See “Starting the Setup Utility program” on page 63.
2. On the **Security** menu, select **Administrator Password** to set an administrator password or select **User Password** to set a user password.

3. See “Password considerations” on page 67. Then, follow the instructions on the screen to set or change a password.
4. If you want to delete a password, type your current password. Press Enter when you are prompted to type a new password. Then, press Enter to confirm the new password. The previous password will be cleared.

Note: For security reasons, it is recommended that you always set a password for your server.

5. Press F10 to save settings and exit the Setup Utility program.

If you have forgotten the password, you can use the Clear password switch on the system board to erase the password. See “System board jumpers and switches” on page 55. Then, set a new password for the server.

Selecting a startup device

If your server does not start up from a desired device such as the disc or hard disk drive as expected, do one of the following to select the startup device you want.

Note: Not all discs, hard disk drives, or other removable devices are bootable.

- To select a temporary startup device, do the following:

Note: Selecting a startup device using the following method does not permanently change the startup sequence.

1. Turn on or restart your server.
 2. When you see the logo screen, press F10 if your server is connected to a network and you want to start up the server from the network. Otherwise, press F12 to display the boot menu. The boot device selection window opens.
 3. In the boot device selection window, use the up and down arrow keys on the keyboard to switch between the selections. Press Enter to select the device of your choice. Then, the server will start up from the selected device.
- To view or permanently change the configured startup device sequence, do the following:
 1. Start the Setup Utility program. See “Starting the Setup Utility program” on page 63.
 2. On the **Boot Options** menu, follow the instructions on the screen to set the startup device for **Boot Option #1** to **Boot Option #5** depending on your needs. You also can set the boot priority for various devices. See “Boot Options menu” on page 66.
 3. Press F10 to save settings and exit the Setup Utility program. The server will follow the startup device sequence you have set each time you turn on the server.

Configuring the TPM function

The TPM works as a hardware security solution to help you to encrypt data and protect the server. The TPM function is only available when there is a TPM installed in your server. See “Installing the TPM” on page 130. You can purchase a TPM from Lenovo.

After installing a TPM, you need to check if the TPM function is enabled in the Setup Utility program.

To enable the TPM function in the Setup Utility program, do the following:

1. Start the Setup Utility program. See “Starting the Setup Utility program” on page 63.
2. On the **Security** menu, select **TPM/TCM → TPM Support**. Ensure that **TPM Support** is set to **Enabled**.
3. When **TPM Support** is set to **Enabled**, the **TPM State** item is displayed. Set **TPM State** to **Enabled**.
4. Press F10 to save settings and exit the Setup Utility program. The server will restart to enable the TPM function.

Setting the mode of the Ethernet connectors

There are three RJ-45 Ethernet connectors on the rear of the server. The Ethernet connector 0 is for system management by default. However, you also can set the Ethernet connector 1 or 2 for system management use. You also can install an operating system through the system-management connector. To locate the three Ethernet connectors, see “Rear view of the server” on page 29.

If you set one of the Ethernet connectors for system management, the other two Ethernet connectors can be teamed. If two Ethernet connectors are teamed, the teamed connection speed will be the same with the lower connection speed of the two Ethernet connectors.

Ethernet connector for system management	Ethernet connectors for teaming
Ethernet connector 0	Ethernet connector 1 and Ethernet connector 2
Ethernet connector 1	Ethernet connector 0 and Ethernet connector 2
Ethernet connector 2	Ethernet connector 0 and Ethernet connector 1

To set the mode of the Ethernet connectors in the Setup Utility program, do the following:

1. Start the Setup Utility program. See “Starting the Setup Utility program” on page 63.
2. On the **Server Management** menu, select **BMC Network Configuration → BMC LAN Share Setting**.
3. Do one of the following:
 - To use the Ethernet connector 0 as an Ethernet connector and also a system-management connector, select **Management NIC Shared**.
 - To use the Ethernet connector 0 as a dedicated system-management connector, select **Management NIC Dedicated**.
 - To use the Ethernet connector 1 as an Ethernet connector and also a system-management connector, select **Onboard LAN port1 Shared**.
 - To use the Ethernet connector 2 as an Ethernet connector and also a system-management connector, select **Onboard LAN port2 Shared**.

Note: If you set one Ethernet connector as the system management connector, the other two Ethernet connectors will be ordinary Ethernet connectors by default.

4. Press F10 to save settings and exit the Setup Utility program.

Exiting the Setup Utility program

After you finish viewing or changing settings, press Esc to return to the Setup Utility program main interface. If you are on a nested submenu, press Esc repeatedly until you reach the main interface. Then, you can do one of the following to exit the Setup Utility program:

- If you want to save the new settings and exit the Setup Utility program, press F10 or select **Save & Exit → Save Changes and Exit**. Otherwise, your changes will not be saved.
- If you do not want to save the new settings, select **Save & Exit → Discard Changes and Exit**.
- If you want to return to the default settings, press F9 or select **Save & Exit → Restore Defaults**.

For more information about the **Save & Exit** menu in the Setup Utility program, see “Save & Exit menu” on page 66.

Updating or recovering the BIOS

This topic provides instructions on how to update the BIOS and how to recover from a POST and BIOS update failure.

System programs are the basic layer of software built into your server. System programs include the POST, the UEFI BIOS, the Setup Utility program, and the TMM firmware. The POST is a set of tests and procedures that are performed each time you turn on your server. The UEFI BIOS is a layer of software that translates instructions from other layers of software into electrical signals that the server hardware can execute. You can use the Setup Utility program to view or change the configuration settings of your server. See “Using the Setup Utility program” on page 63. The TMM firmware provides remote management features.

Lenovo might make changes and enhancements to the BIOS and TMM firmware. When updates are released, they are available for download on the Lenovo Web site at <http://www.lenovo.com/drivers>. You can update the server firmware by downloading an update package and following the instructions on the Web page.

You also can use the Firmware Updater program to help you keep the server firmware up-to-date. See “Updating the firmware” on page 83.

Updating (flashing) the BIOS

This topic provides instructions on how to update (flash) the BIOS.

Notes:

- Update the BIOS on your server only if the newer BIOS version specifically solves a problem you have. We do not recommend BIOS updates for servers that do not need them. You can view the updated information for the new BIOS version in the installation instructions for the BIOS update utility program.
- Downgrading the BIOS to an earlier version is not recommended and might not be supported. An earlier BIOS version might not support the latest system configurations.
- If the power to your server is interrupted while the POST and BIOS are being updated, your server might not restart correctly. Ensure that you perform the BIOS update procedure in an environment with a steady power supply. Besides, ensure that your server can restart successfully without encountering hardware problems.
- If you have updated the BIOS firmware, all the BIOS settings become the default settings of the updated BIOS version. You need to check and reconfigure the BIOS settings for your specific needs. You can select **Save as User Defaults** on the **Save & Exit** menu in the Setup Utility program to save your current BIOS settings as user default values before updating the BIOS. Then, you can select **Restore User Defaults** on the **Save & Exit** menu in the Setup Utility program to restore the user default values after updating the BIOS. In this case, you can keep your previous BIOS settings and do not need to reconfigure the settings after updating the BIOS. You also can record your specific BIOS settings before updating the BIOS for an easier reconfiguration in the new BIOS version.

To update (flash) the BIOS, do the following:

1. Go to <http://www.lenovo.com/drivers> and follow the instructions on the Web page to locate the BIOS update package.
2. Download the BIOS update package and the installation instructions in a TXT file.
3. Print the TXT file that contains the installation instructions and follow the instructions to update (flash) the BIOS.
4. Do one of the following after the BIOS update process is completed:
 - If you have saved your BIOS settings as user default values before updating the BIOS, select **Restore User Defaults** on the **Save & Exit** menu in the Setup Utility program to restore the user default values. Then, check if the user default values meet your current requirements.
 - Check and reconfigure the BIOS settings for your specific needs based on your note or refer to “Using the Setup Utility program” on page 63.

Recovering from a BIOS update failure

If the power to your server is interrupted while the BIOS is being updated, your server might not restart correctly. If this happens, perform the following procedure to recover from the BIOS update failure.

Note: If the operating system of your server is installed under EFI mode, you need to reinstall the operating system after recovering the BIOS.

To recover from a BIOS update failure, do the following:

1. Go to <http://www.lenovo.com/drivers> and follow the instructions on the Web page to download a BIOS update package. Then, put the `amiboot.rom` file contained in the package into the root directory of a bootable USB key.
2. Remove all media from the drives and turn off all attached devices and the server. Then, disconnect all power cords from electrical outlets and disconnect all cables that are connected to the server.
3. If the server is installed in a rack cabinet, remove the server from the rack cabinet and place it on a flat, clean, and static-protective surface. See the *Rack Installation Instructions* that comes with the server.
4. Remove the server cover. See “Removing the server cover” on page 87.
5. Locate the BIOS recovery switch on the system board. See “System board jumpers and switches” on page 55. Then, remove any parts and disconnect any cables that might impede your access to the switch.
6. Move the BIOS recovery switch from the default off position to the on position.
7. Reinstall any parts and reconnect any cables. Then, reinstall the server cover. See “Completing the parts replacement” on page 195.
8. Connect the server to an ac power source and then start the server from the bootable USB key that contains the `amiboot.rom` file. The recovery process starts. After the recovery process is completed, your server will automatically turn off.
9. Repeat step 2 through step 5.
10. Move the BIOS recovery switch back to the off position.
11. Reinstall any parts and reconnect any cables. Then, reinstall the server cover. See “Completing the parts replacement” on page 195.
12. Connect the server to an ac power source and turn on the server. The BIOS settings recover to the factory default settings. You need to check and configure the BIOS settings for your specific needs. See “Using the Setup Utility program” on page 63.

Note: If you cannot recover the BIOS after using the instructions in this topic, the BIOS read-only memory (ROM) might be damaged and you need to replace the system board. Contact the Lenovo Customer Support Center.

Using the ThinkServer EasyStartup program

This topic guides you to use the ThinkServer EasyStartup program to set up and configure your server.

The ThinkServer EasyStartup program simplifies the process of configuring RAID and installing supported Windows and Linux operating systems and device drivers on your server. The program works with your Windows or Linux operating system installation disc to automate the process of installing the operating system and associated device drivers. This program is provided with your server on a self-starting (bootable) *ThinkServer EasyStartup* DVD. The user guide for the program also is on the DVD and can be accessed directly from the program interface.

If you do not have a *ThinkServer EasyStartup* DVD, you also can download an ISO image from the Lenovo Support Web site and make a disc by yourself.

To download the ThinkServer EasyStartup program image and burn it into a disc, do the following:

1. Go to <http://www.lenovo.com/drivers> and follow the instructions on the Web page to locate the ThinkServer EasyStartup program.
2. Download the ISO image for the ThinkServer EasyStartup program and the readme file. The readme file contains important information about the ThinkServer EasyStartup program.
3. Print the readme file and read it carefully.
4. Use an optical drive and any DVD burning software to create a bootable disc with the ISO image.

Features of the ThinkServer EasyStartup program

This topic lists the features of the ThinkServer EasyStartup program.

The ThinkServer EasyStartup program has the following features:

- Contained in a self-starting (bootable) DVD
- Easy-to-use, language-selectable interface
- Integrated help system and user guide
- Automatic hardware detection
- Contains the RAID configuration utility
- Provides device drivers based on the server model and detected devices
- Downloads device drivers from the *ThinkServer EasyStartup* DVD according to the operating system or add-on device
- Selectable partition size and file system type
- Support for multiple operating systems
- Ability to install the operating system and device drivers in an unattended mode to save time
- Ability to create a reuseable response file that can be used with similarly configured Lenovo servers to make future installations even faster

Starting the ThinkServer EasyStartup program

This topic provides instructions on how to start the ThinkServer EasyStartup program. After you start the program and enter the main interface, click **User Guide** for detailed information about how to use this program to help you configure the server and install an operating system.

To start the ThinkServer EasyStartup program, do the following:

1. Insert the *ThinkServer EasyStartup* DVD into an optical drive, set the optical drive as the first startup device, and start your server from the DVD in the optical drive. See “Selecting a startup device” on page 68.
2. Wait for the program to load. Then, you will be prompted for the following selections:
 - The language in which you want to view the program
 - The language of the keyboard layout you will be using with the program

Note: The supported languages and keyboard layouts for the ThinkServer EasyStartup program are Dutch, English, French, German, Italian, Japanese, Russian, Spanish, and Turkish. Your *ThinkServer EasyStartup* DVD might be English only. In this case, the keyboard layout should be English.

3. After selecting the language and keyboard layout, click **OK**. Then, you will see one or more reminders or messages about configuring storage devices. Click **Next** until you are presented with the Lenovo License Agreement. Read the Lenovo License Agreement carefully. In order to continue, you must accept the terms by clicking **Agree**. Then, the Date and time window opens.

4. Set the current date and time and click **OK**. The Start option window opens.
5. The Start option window provides the following selections:
 - Continue to the main interface.
 - Install the operating system using a pre-existing response file.
 - Configure RAID using a pre-existing response file.

Read the explanations on the screen and select a desired option. Then, follow the instructions on the screen. If this is the first time you are using the ThinkServer EasyStartup program, select the option to continue to the main interface and view the compatibility notes and user guide.

Notes:

- Functionality and supported operating systems vary depending on the version of the ThinkServer EasyStartup program. From the main interface of the program, click **Compatibility notes** to view the information about the RAID controllers, operating systems, and server configurations supported by the specific version of the program; and click **User Guide** to view the various functions and learn how to use the program.
- Before using the ThinkServer EasyStartup program to install an operating system, ensure that any external storage devices and fiber channels are configured correctly.

The ThinkServer EasyStartup program main interface provides the following menus on the left pane of the screen:

- **Home**
This menu is the welcome page that contains some general descriptions about the program and the Lenovo copyright and trademark statements.
- **Compatibility notes**
This menu provides information about the RAID controllers, operating systems, and server configurations supported by the version of the program you are using.
- **User Guide**
This menu provides information about the features of the program and instructions on how to use the program.
- **Hardware list**
This menu displays a list of hardware devices detected by the program.
- **Configure RAID**
This menu guides you to configure RAID or view the current RAID configuration and make changes if needed.
- **Install operating system**
This menu displays a series of choices and prompts to collect information required for operating system installation, prepares the hard disk drive for installation, and then initiates the installation process using your operating system installation disc.
- **Download drivers**
This menu helps you download the required device drivers from the *ThinkServer EasyStartup* DVD to a removable storage device so that you can easily get the drivers for server configuration when you need them.

Note: The most up-to-date device drivers for various server models are always available for download on the Lenovo Support Web site at:
<http://www.lenovo.com/drivers>

- **About**

This menu provides the version information and legal notices.

Using the ThinkServer EasyStartup program on a Windows operating system

You can run the *ThinkServer EasyStartup* DVD on a Windows operating system with the Internet Explorer® 6.0 Web browser or a later version installed. Enter the operating system and insert the *ThinkServer EasyStartup* DVD into an internal or external optical drive. The DVD starts automatically in most environments. If the DVD fails to start, open the launch.exe file located in the root directory of the DVD.

Notes:

- You should read and accept the Lenovo License Agreement when prompted.
- On the Microsoft Windows Server® 2003 operating system, you might need to add the Uniform Resource Locator (URL) for the ThinkServer EasyStartup program Web page to the trusted Web site list so that the page can open correctly.

You can do the following when using the ThinkServer EasyStartup program on a Windows operating system. For detailed information, refer to the help system.

- View a general introduction to your ThinkServer server model and the specific server configuration information.
- View general guidance on how to use the *ThinkServer EasyStartup* DVD.
- Download the required device drivers to a removable storage device so that you can easily get the drivers for server configuration when you need them, especially when you finish installing an operating system without using the *ThinkServer EasyStartup* DVD and need appropriate device drivers to configure your server.
- Install the required device drivers directly on the server on which you are running the *ThinkServer EasyStartup* DVD.
- View information about all server models supported by the ThinkServer EasyStartup program and information about the device drivers for each server model, including the driver versions and driver locations in the root directory of the *ThinkServer EasyStartup* DVD.

Note: The most up-to-date device drivers for various server models are always available for download on the Lenovo Support Web site at:
<http://www.lenovo.com/drivers>

Configuring RAID

This topic provides information about RAID and the utility programs that are available for you to configure RAID.

This topic contains the following items:

- “About RAID” on page 75
- “Configuring RAID using the ThinkServer EasyStartup program” on page 76
- “Configuring the ThinkServer RAID 300” on page 76
- “Configuring the advanced SATA/SAS hardware RAID” on page 82

About RAID

RAID, an acronym for Redundant Array of Independent Disks, is a technology that provides increased storage functions and reliability through redundancy. This is achieved by combining multiple hard disk drives into a logical unit, where data is distributed across the drives in one of several ways called RAID levels.

When a group of independent physical hard disk drives are set up to use RAID technology, they are in a RAID array. This array distributes data across multiple hard disk drives, but the array appears to the host server as one single storage unit, known as a virtual drive. Creating and using RAID arrays provides high performance, such as the expedited I/O performance, because several drives can be accessed simultaneously.

RAID drive groups also improve data storage reliability and fault tolerance compared with single-drive storage systems. Data loss resulting from a drive failure can be prevented by reconstructing missing data from the remaining drives.

The following list describes some of the most commonly used RAID levels:

- **RAID 0:** block-level striping without parity or mirroring

Simple stripe sets are normally referred to as RAID 0. RAID 0 uses striping to provide high data throughput, especially for large files in an environment that does not require fault tolerance. RAID 0 has no redundancy and it provides improved performance and additional storage without fault tolerance. Any drive failure destroys the array and the likelihood of failure increases with more drives in the array. RAID 0 does not implement error checking, so any error is uncorrectable. More drives in the array means higher bandwidth, but greater risk of data loss.

RAID 0 requires a minimum number of two hard disk drives.

- **RAID 1:** mirroring without parity or striping

RAID 1 uses mirroring so that data written to one drive is simultaneously written to another drive. This is good for small databases or other applications that require small capacity but complete data redundancy. RAID 1 provides fault tolerance from disk errors or failures and continues to operate as long as at least one drive in the mirrored set is functioning. With appropriate operating system support, there can be increased read performance and only a minimal write performance reduction.

RAID 1 requires a minimum number of two hard disk drives.

- **RAID 5:** block-level striping with distributed parity

RAID 5 uses disk striping and parity data across all drives (distributed parity) to provide high data throughput, especially for small random access. RAID 5 distributes parity along with the data and requires all drives but one to be present to operate; drive failure requires replacement, but the array is not destroyed by a single drive failure. Upon drive failure, any subsequent read operations can be calculated from the distributed parity so that the drive failure is masked from the end user. The array will have data loss in the event of a second drive failure and is vulnerable until the data that was on the failing drive is rebuilt onto a replacement drive. A single drive failure in the set will result in reduced performance of the entire set until the failing drive has been replaced and rebuilt.

RAID 5 requires a minimum number of three hard disk drives.

- **RAID 10:** a combination of RAID 0 and RAID 1

RAID 10 consists of striped data across mirrored spans. A RAID 10 drive group is a spanned drive group that creates a striped set from a series of mirrored drives. RAID 10 allows a maximum of eight spans. You must use an even number of drives in each RAID virtual drive in the span. The RAID 1 virtual drives must have the same stripe size. RAID 10 provides high data throughput and complete data redundancy but uses a larger number of spans.

RAID 10 requires a minimum number of four hard disk drives and also requires an even number of drives, for example, six hard disk drives or eight hard disk drives.

- **RAID 50:** a combination of RAID 0 and RAID 5

RAID 50 uses distributed parity and disk striping. A RAID 50 drive group is a spanned drive group in which data is striped across multiple RAID 5 drive groups. RAID 50 works best with data that requires high reliability, high request rates, high data transfers, and medium-to-large capacity.

Note: Having virtual drives of different RAID levels, such as RAID 0 and RAID 5, in the same drive group is not allowed. For example, if an existing RAID 5 virtual drive is created out of partial space in an array, the next virtual drive in the array has to be RAID 5 only.

RAID 50 requires a minimum number of six hard disk drives.

For detailed information about RAID, refer to “Introduction to RAID” in the *MegaRAID SAS Software User Guide* on the documentation DVD that comes with your server.

Configuring RAID using the ThinkServer EasyStartup program

The ThinkServer EasyStartup program simplifies the process of configuring supported RAID and installing supported Windows and Linux operating systems and device drivers on your server. The user guide for the program can be accessed directly from the program interface.

The ThinkServer EasyStartup program has the following features for RAID configuration:

- For use with all supported RAID controllers
- Automatically detects hardware and lists all supported RAID configurations
- Configures one or more disk arrays per controller depending on the number of drives attached to the controller and the RAID level selected
- Supports hot-spare drives
- Creates a RAID response file that can be used to configure RAID controllers on similarly configured Lenovo servers

See “Using the ThinkServer EasyStartup program” on page 71 and view the user guide from the main interface of the program.

Some RAID management software also is provided on the *ThinkServer EasyStartup* DVD to help you manage RAID arrays and RAID controllers in an operating system environment. After you enter the operating system, insert the *ThinkServer EasyStartup* DVD into the optical drive. The installation packages for the programs are located in the Utilities and Others folder in the root directory of the DVD. The *ThinkServer EasyStartup* DVD is designed for different types of servers and the Utilities and Others folder might contain additional installation packages that are not required to be installed on your server.

Configuring the ThinkServer RAID 300

The ThinkServer RAID 300 (also known as onboard SAS software RAID) is integrated in the PCH on the system board. If you connect the mini-SAS to mini-SAS signal cables from the system board to the backplane, you can configure RAID for the hard disk drives using the LSI Software RAID Configuration Utility program, independently of the operating system. The ThinkServer RAID 300 supports RAID levels 0, 1, and 10 by default. You also can activate RAID 5 by installing a ThinkServer RAID 300 Upgrade Key for Advanced RAID. See “Installing or removing the ThinkServer RAID 300 Upgrade Key for Advanced RAID” on page 123.

You can install and use the MegaRAID Storage Manager program to manage the RAID array and RAID controller in an operating system environment.

Before configuring RAID for your server, observe the following precautions:

- Use hard disk drives that are of the same type (SATA or SAS) and have the same capacity within a single RAID array.
- The total drive capacity of the primary RAID array might be limited to 2 TB.

RAID array status

When you turn on the server, the RAID controller ROM version, the RAID array status, and the list of the available hard disk drives will be displayed during the POST.

The RAID array status can be one of the following:

- **Online**

This is the normal status, which indicates that the RAID array is working correctly.

- **Degrade**

This status indicates that more than one hard disk drive in the RAID array cannot be synchronized or have failed. You need to replace the failing hard disk drives and rebuild the data. See “Installing or replacing a hot-swap hard disk drive” on page 162 and “Rebuilding a physical drive” on page 80.

- **Offline**

This status indicates that the RAID array has failed and cannot be rebuilt. You need to create a RAID array. See “Creating, adding, or deleting a RAID array” on page 79.

Starting the LSI Software RAID Configuration Utility program

This topic provides instructions on how to start the LSI Software RAID Configuration Utility program.

To start the LSI Software RAID Configuration Utility program, do the following:

1. Turn on the server.
2. During the POST, when you see the message “Press Ctrl-M or Enter to run LSI Software RAID Setup Utility,” immediately press Ctrl+M to start the LSI Software RAID Configuration Utility program.

LSI Software RAID Configuration Utility program interface

This topic provides information about the menus and items in the LSI Software RAID Configuration Utility program. Depending on the version of the program, some menu or item information might differ slightly from the information in this topic.

When working with the LSI Software RAID Configuration Utility program, you must use the keyboard. The keys used to perform various tasks are displayed on the bottom of each screen. Use up and down arrow keys to navigate between items. For most items, the corresponding help message is displayed on the bottom of the screen when the item is selected. If the item has submenus, you can display the submenus by pressing Enter.

After entering the LSI Software RAID Configuration Utility program, you can see the **Management Menu** on the screen. The **Management Menu** contains the following menu items:

- **Configure**

This menu contains items to help you create a RAID array, view the current RAID configuration, add a RAID array, delete an existing RAID array, and select a boot virtual drive.

- **Initialize**

This menu helps you initialize virtual drives.

Note: Initializing a virtual drive erases all data on the virtual drive. Back up any data you want to keep and ensure that the operating system is not installed on the virtual drive before the initialization.

- **Objects**

This menu helps you configure parameters for the RAID controller, the virtual drives, and the physical drives.

- **Rebuild**

This menu helps you rebuild a physical drive in a RAID array in the event of a physical drive failure. You can choose to rebuild the data on the failing drive if the drive is still operational. If the drive is not operational, it must be replaced and the data on the failing drive must be rebuilt on a new drive to restore the system to fault tolerance.

- **Check Consistency**

This menu helps you do consistency check for the virtual drives. The consistency check verifies the correctness of the data on virtual drives that use RAID 1, 5, and 10.

The following table shows the various menus and items in the LSI Software RAID Configuration Utility program. On each menu, press the Enter key to show selectable options and select a desired option by using up and down arrow keys or type desired values from the keyboard directly.

Table 2. LSI Software RAID Configuration Utility program menu items

Menu item	Submenu item	Comments
Configure	Easy Configuration	Create physical arrays. An array will automatically become a virtual drive.
	New Configuration	Clear the existing configuration and start a new configuration.
	View/Add Configuration	View the existing configuration or add a configuration.
	Clear Configuration	Clear the existing configuration.
	Select Boot Drive	Select a boot virtual drive.
Initialize	Varies by configuration.	Initialize virtual drives.
Objects	Adapter	Set adapter-related parameters, such as rebuild rate, consistency check rate, and auto-rebuild.
	Virtual Drive	Set virtual drive parameters.
	Physical Drive	Set physical drive parameters, such as creating a hot-spare drive for the virtual drive, making a failing drive as online, changing a drive state, and viewing the specifications of a physical drive.
Rebuild	Varies by configuration.	Rebuild physical drives.
Check Consistency	Varies by configuration.	Check consistency of virtual drives.

Creating, adding, or deleting a RAID array

This topic provides instructions on how to create, add, or delete a RAID array using the LSI Software RAID Configuration Utility program.

Note: Before you create a RAID array using the LSI Software RAID Configuration Utility program, ensure that the server meets the required hardware configuration. For example, the server needs to have the required number of hard disk drives installed and connected to the system board. See “About RAID” on page 75 for information about the required number of hard disk drives for each RAID level. If you want to create a RAID 5 array using the LSI Software RAID Configuration Utility program, the server also needs to have a ThinkServer RAID 300 Upgrade Key for Advanced RAID. See “Installing or removing the ThinkServer RAID 300 Upgrade Key for Advanced RAID” on page 123.

To create, add, or delete a RAID array using the LSI Software RAID Configuration Utility program, do the following:

1. Start the LSI Software RAID Configuration Utility program. See “Starting the LSI Software RAID Configuration Utility program” on page 77.
2. On the main interface of the program, do one of the following depending on your needs:
 - If you want to create a RAID array, select **Easy Configuration** and then follow the instructions on the screen.
 - If you want to add a secondary RAID array (if supported by your server), select **View/Add Configuration** and then follow the instructions on the screen to view the current configuration and add a RAID array.
 - If you want to delete the existing RAID array, exit the program and back up all your data on the hard disk drives. After backing up all your data, enter the program main interface and select **Clear Configuration**. Select **Yes** when prompted and follow the instructions on the screen.

Attention: Deleting an existing RAID array erases all data on the array. Ensure that you back up all data before deleting the RAID array. If the operating system is installed on the RAID array you want to delete, you need to reinstall the operating system after deleting the RAID array.

- If you want to delete the existing RAID array and create a RAID array, exit the program and back up all your data on the hard disk drives. After backing up all your data, enter the program main interface and select **New Configuration**. Select **Yes** when prompted to proceed and then follow the instructions on the screen.

Attention: Deleting an existing RAID array erases all data on the array. Ensure that you back up all data before deleting the RAID array. If the operating system is installed on the RAID array you want to delete, you need to reinstall the operating system after deleting the RAID array.

Initializing a virtual drive

This topic provides instructions on how to initialize a virtual drive using the LSI Software RAID Configuration Utility program after completing the configuration process.

Virtual drive initialization is the process of writing zeros to the data fields of a virtual drive and, in fault-tolerant RAID levels, generating the corresponding parity to put the virtual drive in a ready state. Initialization erases all data on the virtual drive. Drive groups will work without being initialized, but they can fail a consistency check because the parity fields have not been generated.

Notes:

- Ensure that you back up any data you want to keep before initializing a virtual drive.
- Ensure that the operating system is not installed on the virtual drive you are initializing. Otherwise, you need to reinstall the operating system after initializing the virtual drive.

To initialize a virtual drive using the LSI Software RAID Configuration Utility program, do the following:

1. Start the LSI Software RAID Configuration Utility program. See “Starting the LSI Software RAID Configuration Utility program” on page 77.
2. On the main interface of the program, select **Initialize** and follow the instructions on the screen.

Setting a hot-spare drive

This topic provides instructions on how to set a hard disk drive as a hot-spare drive using the LSI Software RAID Configuration Utility program.

A hot-spare drive is an extra, unused drive that is part of the disk subsystem. It is usually in standby mode and ready for service if a hard disk drive fails. For detailed information about hot-spare drives, refer to “Introduction to RAID” in the *MegaRAID SAS Software User Guide* on the documentation DVD that comes with your server.

To set a hard disk drive as a hot-spare drive using the LSI Software RAID Configuration Utility program, do the following:

1. Start the LSI Software RAID Configuration Utility program. See “Starting the LSI Software RAID Configuration Utility program” on page 77.
2. Do one of the following:
 - If you want to create or add a RAID array, you can set a hot-spare drive during the configuration process by following the instructions on the screen.
 - If you want to set a hot-spare drive right after the configuration, select **Objects → Physical Drive** from the program main interface. Then, select the hard disk drive that you want to set as a hot-spare drive and press Enter. A submenu is displayed. Select **Make Hot Spare** from the submenu and then select **Yes** when prompted to set the hard disk drive as a hot-spare drive.

Rebuilding a physical drive

This topic provides instructions on how to rebuild a physical drive using the LSI Software RAID Configuration Utility program when a physical drive in a RAID array fails.

When a physical drive in a RAID array fails, you can rebuild the drive by recreating the data that was stored on the drive before it fails. If the drive is not operational, it must be replaced and the data on the failing drive must be rebuilt on a new drive to restore the system to fault tolerance.

The RAID controller recreates the data using the data stored on other drives in the drive group. Rebuilding can be done only in drive groups with data redundancy, such as RAID 1, RAID 5, and RAID 10 arrays. For detailed information about disk rebuild, refer to “Introduction to RAID” in the *MegaRAID SAS Software User Guide* on the documentation DVD that comes with your server.

To rebuild a physical drive using the LSI Software RAID Configuration Utility program when a physical drive in a RAID array fails, do the following:

1. Start the LSI Software RAID Configuration Utility program. See “Starting the LSI Software RAID Configuration Utility program” on page 77.
2. On the main interface of the program, select **Rebuild** and follow the instructions on the screen.

Note: Run a consistency check immediately after the rebuild completes to ensure data integrity for the virtual drives. See “Running a consistency check” on page 81.

The rebuild rate is the percentage of the computing cycles dedicated to rebuilding failing drives. The rebuild rate can be configured between 0 percent and 100 percent. At 0 percent, the rebuild is done only if the system is not doing anything else. At 100 percent, the rebuild has a higher priority than any other system activity.

To configure the rebuild rate using the LSI Software RAID Configuration Utility program, do the following:

Note: Using a rebuild rate of 0 or 100 percent is not recommended. The default value is 30 percent.

1. Start the LSI Software RAID Configuration Utility program. See “Starting the LSI Software RAID Configuration Utility program” on page 77.
2. On the main interface of the program, select **Objects → Adapter → Rebuild Rate**.
3. Set the rebuild rate by typing a desired value from the keyboard directly.

Running a consistency check

This topic provides instructions on how to run a consistency check for virtual drives using the LSI Software RAID Configuration Utility program.

The consistency check operation verifies that all stripes on a virtual drive with a redundant RAID level (RAID 1, RAID 5, and RAID 10) are consistent and the date on the virtual drive is correct. For example, in a system with parity, checking consistency means computing the data on one drive and comparing the results to the contents of the parity drive.

You should run a consistency check on fault-tolerant virtual drives periodically. It is recommended that you run a consistency check at least once a month. You must run a consistency check if you suspect that the virtual drive data might be corrupted. Ensure that you back up the data before running a consistency check if you suspect that the data might be corrupted.

To run a consistency check using the LSI Software RAID Configuration Utility program, do the following:

1. Start the LSI Software RAID Configuration Utility program. See “Starting the LSI Software RAID Configuration Utility program” on page 77.
2. On the main interface of the program, select **Check Consistency** and follow the instructions on the screen.

The consistency check rate is the rate at which consistency check operations are run on a system. The consistency check rate can be configured between 0 percent and 100 percent. At 0 percent, the consistency check is done only if the system is not doing anything else. At 100 percent, the consistency check has a higher priority than any other system activity.

To configure the consistency check rate using the LSI Software RAID Configuration Utility program, do the following:

Note: Using a consistency check rate of 0 or 100 percent is not recommended. The default value is 30 percent.

1. Start the LSI Software RAID Configuration Utility program. See “Starting the LSI Software RAID Configuration Utility program” on page 77.
2. On the main interface of the program, select **Objects → Adapter → Chk Const Rate**.
3. Set the consistency check rate by typing a desired value from the keyboard directly.

Installing and using the MegaRAID Storage Manager program

You can install and use the MegaRAID Storage Manager program to manage the RAID array and RAID controller in an operating system environment after configuring RAID.

The installation package for the MegaRAID Storage Manager program is on the *ThinkServer EasyStartup* DVD. After you enter the operating system, insert the *ThinkServer EasyStartup* DVD into the optical drive. The installation package for the MegaRAID Storage Manager program is located in the Utilities and Others folder in the root directory of the DVD.

To install and use the MegaRAID Storage Manager program, refer to the following chapters in the *MegaRAID SAS Software User Guide* on the documentation DVD that comes with your server:

Note: Some information in these chapters might be intended for the advanced SATA/SAS hardware RAID configurations and might not apply to the ThinkServer RAID 300 configurations.

- “MegaRAID Storage Manager Overview and Installation”
- “MegaRAID Storage Manager Window and Menus”
- “Monitoring System Events and Storage Devices”
- “Maintaining and Managing Storage Configurations”

The *MegaRAID SAS Software User Guide* also is available on the Lenovo Web site at: <http://www.lenovo.com/UserManuals>

Configuring the advanced SATA/SAS hardware RAID

Before configuring RAID for your server, observe the following precautions:

- Use hard disk drives that are of the same type (SATA or SAS) and have the same capacity within a single RAID array.
- The total drive capacity of the primary RAID array might be limited to 2 TB.

Some server models come with a RAID card to provide advanced SATA/SAS hardware RAID functions. You also can purchase a supported RAID card from Lenovo and install it into the server. See “RAID card” on page 40.

The RAID card provides the WebBIOS Configuration Utility program to help you configure RAID independently of the operating system. You also can install the MegaRAID Storage Manager program and the MegaCLI Configuration Utility program to help you manage the RAID array and RAID controller in an operating system environment.

The installation packages for the MegaRAID Storage Manager program and the MegaCLI Configuration Utility program are on the *ThinkServer EasyStartup* DVD. After you enter the operating system, insert the *ThinkServer EasyStartup* DVD into the optical drive. The installation packages for the programs are located in the Utilities and Others folder in the root directory of the DVD.

Note: The *ThinkServer EasyStartup* DVD is designed for different types of servers and the Utilities and Others folder might contain additional installation packages that are not required to be installed on your server.

For instructions on how to configure and manage the advanced SATA/SAS hardware RAID, refer to the *MegaRAID SAS Software User Guide* on the documentation DVD that comes with your server. This document also is available on the Lenovo Web site at: <http://www.lenovo.com/UserManuals>

Configuring the Ethernet controllers

The Ethernet controllers are integrated on the system board. They provide an interface for connecting to a 10 Mbps, 100 Mbps, or 1000 Mbps network and provide full-duplex (FDX) capability, which enables simultaneous transmission and reception of data on the network.

You do not have to set any jumpers or configure the Ethernet controllers. However, you must install a device driver to enable the operating system to recognize the controllers.

The ThinkServer EasyStartup program simplifies the process of configuring RAID and installing supported operating systems and device drivers on your server. See “Using the ThinkServer EasyStartup program” on page 71.

The device drivers for onboard Ethernet controllers also are available for download at:
<http://www.lenovo.com/drivers>

Updating the firmware

The firmware in the server is periodically updated and is available for download on the Lenovo Web site.

Go to <http://www.lenovo.com/drivers> and follow the instructions on the Web page to check for the latest level of firmware, such as the BIOS updates and device drivers.

When you replace a device in the server, you might have to either update the server with the latest version of the firmware that is stored in memory on the device or reflash the BIOS, the TMM firmware, and the FRU/SDR.

Using the Firmware Updater program

The Firmware Updater program enables you to maintain your system firmware up-to-date and helps you avoid unnecessary outages.

To update your system firmware using the Firmware Updater program, do the following:

Note: Before distributing the firmware updates to a server, ensure that your server can restart successfully without encountering hardware problems.

1. Go to <http://www.lenovo.com/drivers> and follow the instructions on the Web page to locate the Firmware Updater program.
2. Download the ISO image for the Firmware Updater program and the installation instructions in a TXT file.
3. Use any CD or DVD burning software to create a bootable disc with the ISO image.
4. Print the TXT file that contains the installation instructions and follow the instructions to use the Firmware Updater program to update your system firmware.

Using the Lenovo ThinkServer EasyManage program

The Lenovo ThinkServer EasyManage program enables enterprise users to control and monitor multiple Lenovo servers within a LAN remotely. The program provides an interface to display all servers being managed, which enables the administrator to search for, monitor, and manage servers conveniently.

To download the Lenovo ThinkServer EasyManage program, go to <http://www.lenovo.com/drivers> and follow the instructions on the Web page.

For detailed information about using the Lenovo ThinkServer EasyManage program, refer to the help system for the program.

Chapter 6. Installing, removing, or replacing hardware

This chapter provides instructions on how to install, remove, or replace hardware for your server.

This chapter contains the following items:

- “Guidelines” on page 85
- “Removing the server cover” on page 87
- “Removing and reinstalling the front bezel” on page 89
- “Installing, removing, or replacing hardware” on page 90
- “Completing the parts replacement” on page 195

For a list of ThinkServer options, go to:
<http://www.lenovo.com/thinkserver>

Guidelines

This topic provides some guidelines that you should read and understand before using your server.

Precautions

Before using the server, ensure that you read and understand the following precautions:

- Before using the product, ensure that you read and understand the multilingual safety instructions and the Lenovo Limited Warranty (LLW) on the documentation DVD that comes with the product. Reading and understanding the safety instructions reduces the risk of personal injury and damage to your product.
- When you install your new server, take the opportunity to download and apply the most recent firmware updates. This step will help to ensure that any known issues are addressed and that your server is ready to function at maximum levels of performance. To download firmware updates for your server, go to <http://www.lenovo.com/drivers> and follow the instructions on the Web page. See “Updating the firmware” on page 83 for more information.
- Before you install optional hardware devices, ensure that the server is working correctly. If the server is not working correctly, see Chapter 7 “Troubleshooting and diagnostics” on page 199 to do basic troubleshooting. If the problem cannot be solved, see Chapter 8 “Getting information, help, and service” on page 205.
- Observe good housekeeping in the area where you are working. Put removed covers and other parts in a safe place.
- If you must turn on the server while the server cover is removed, ensure that no one is near the server and that no tools or other objects have been left inside the server.
- Do not attempt to lift an object that you think is too heavy for you. If you have to lift a heavy object, observe the following precautions:
 - Ensure that you can stand safely without slipping.
 - Distribute the weight of the object equally between your feet.
 - Use a slow lifting force. Never move suddenly or twist when you lift a heavy object.
 - To avoid straining the muscles in your back, lift by standing or by pushing up with your leg muscles.
- Ensure that you have enough properly grounded electrical outlets for the server, monitor, and other devices.
- Back up all important data before you make changes to drives.

- Have a small flat-blade screwdriver available.
- You do not have to turn off the server to install or replace a hot-swap redundant power supply, hot-swap hard disk drives, or hot-plug USB devices. However, you must turn off the server before performing any steps that involve installing, removing, or replacing adapter cables or non-hot-swap devices or components.
- To view the LEDs on the system board and internal components, leave the server connected to power.
- When you are finished working on the server, reinstall all safety shields, guards, labels, and ground wires.

Handling static-sensitive devices

Attention: Do not open the static-protective package that contains the new part until the defective part has been removed from the server and you are ready to install the new part. Static electricity, although harmless to you, can seriously damage server components and parts.

Any server part containing transistors or integrated circuits (ICs) should be considered sensitive to electrostatic discharge (ESD). ESD damage can occur when there is a difference in charge between objects. Protect against ESD damage by equalizing the charge so that the machine, the part, the work mat, and the person handling the part are all at the same charge.

Notes:

- Use product-specific ESD procedures when they exceed the requirements noted here.
- Ensure that the ESD protective devices you use have been certified (ISO 9000) as fully effective.

When you handle server parts and components, take these precautions to avoid static-electricity damage:

- Limit your movement. Movement can cause static electricity to build up around you.
- Always carefully handle the parts and other components (such as PCI Express cards, memory modules, system boards, and microprocessors) by edges or frame. Do not touch solder joints, pins, or exposed circuitry.
- Do not leave the device where others can handle and possibly damage the device.
- Before you replace a new part, touch the static-protective package containing the new part to an unpainted metal part of the server for at least two seconds. This reduces static electricity from the package and your body.
- Remove the new part from the static-protective package and directly install it in the server without placing it on any other surface. If it is hard for you to do this in your specific situation, place the static-protective package of the new part on a smooth, level surface, and then place the new part on the static-protective package.
- Do not place the part on the server cover or other metal surface.
- Take additional care when handling devices during cold weather. Heating reduces indoor humidity and increases static electricity.
- Use a grounded work mat to provide a static-free work surface. The mat is especially useful when handling ESD-sensitive devices.
- Prevent the part from touching your clothing. Most clothing is insulative and retains a charge even when you are wearing a wrist strap.
- The use of a grounding system is recommended. For example, it is recommended to wear an electrostatic discharge (ESD) wrist strap, if one is available. Ensure that you work in an ESD-safe area. Select a grounding system, such as those listed below, to provide protection that meets the specific service requirement.

Note: The use of a grounding system to guard against ESD damage is desirable but not necessary.

- Attach the ESD ground clip to any frame ground, ground braid, or green-wire ground.
- When working on a double-insulated or battery-operated system, use an ESD common ground or reference point. You can use coax or connector-outside shells on these systems.
- Use the ground prong of the ac plug on ac-operated servers.

System reliability guidelines

To help ensure proper cooling and system reliability, strictly follow these guidelines:

- Each of the drive bays has a drive or a dummy tray installed; or there is an electromagnetic interface (EMI) protective panel or EMI shield installed to protect the drive cage.
- If the server supports hot-swap redundant power supplies, each of the power supply bay has a redundant power supply installed, or one bay has a redundant power supply installed while the other bay is covered by a shield.
- Leave adequate space around the server to ensure that the server cooling system works well. Leave approximately 50 mm (2 inches) of open space around the front and rear of the server. Do not place objects in front of the fans. For proper cooling and airflow, install the server cover before you turn on the server. Operating the server for extended periods of time (more than 30 minutes) with the server cover removed might damage server components.
- Properly route the cables. For some options, such as PCI cards, follow the cabling instructions that come with the options in addition to the instructions in this manual.
- When replacing a hot-swap drive, install the new hot-swap drive within two minutes of removal.
- If your server has air ducts or air baffles, do not remove them while the server is running. Operating the server without the air ducts or air baffles might cause the microprocessors to overheat.
- For servers that support up to two microprocessors, ensure that the second microprocessor socket always contains a microprocessor or is protected by a microprocessor socket cover.

Working inside the server with the power on

Attention: Static electricity that is released to internal server components when the server is turned on might cause the server to halt, which might result in the loss of data. To avoid this potential problem, always use an ESD wrist strap or other grounding system when you work inside the server with the power on.

The server supports hot-swap devices and is designed to operate safely while it is turned on and the cover is removed. Follow these guidelines when you work inside the server with the power on:

- Avoid wearing loose-fitting clothing on your forearms. Button long-sleeved shirts before working inside the server; do not wear cuff links while you are working inside the server.
- Do not allow your necktie or scarf to hang inside the server.
- Remove jewelry, such as bracelets, necklaces, rings, and loose-fitting wrist watches.
- Remove items from your shirt pocket, such as pens and pencils. These items might fall into the server as you lean over it.
- Avoid dropping any metallic objects into the server, such as paper clips, hairpins, and screws.

Removing the server cover

Attention: Do not open your server or attempt any repair before reading and understanding “Safety information” on page iii and “Guidelines” on page 85.

This topic provides instructions on how to remove the server cover.

Before you begin, print all the related instructions or ensure that you can view the PDF version on another computer for reference.

Note: Depending on the model, your server might look slightly different from the illustrations in this topic.

To remove the server cover, do the following:

1. Remove all media from the drives. Then, turn off all attached devices and the server.
2. Disconnect all power cords from electrical outlets.
3. Disconnect the power cords, Input/Output (I/O) cables, and all other cables that are connected to the server.
4. If the server is installed in a rack cabinet, remove the server from the rack cabinet and place it on a flat, clean, and static-protective surface. See the *Rack Installation Instructions* that comes with the server.
5. Press the release button **1** in the direction as shown.

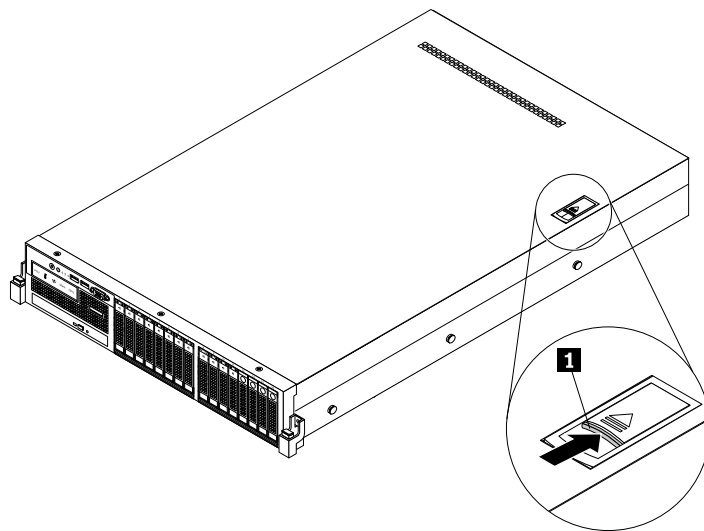


Figure 43. Pressing the release button

6. Fully open the cover latch **1** and slide the server cover to the rear until it is disengaged from the chassis. Then, lift the server cover off the chassis and set it aside.

Note: It is recommended that you wait three to five minutes to let the server cool before removing the server cover.

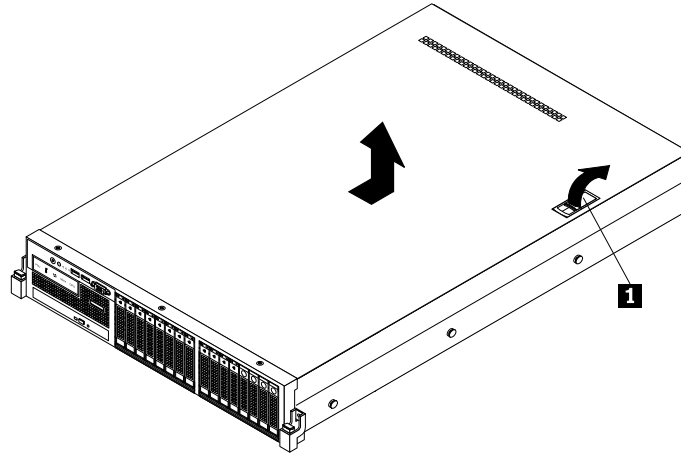


Figure 44. Removing the server cover

Attention: For proper cooling and airflow, install the server cover before turning on the server. Operating the server for more than 30 minutes with the server cover removed might damage server components.

To reinstall the server cover, see “Reinstalling the server cover and reconnecting cables” on page 195.

Removing and reinstalling the front bezel

Attention: Do not open your server or attempt any repair before reading and understanding “Safety information” on page iii and “Guidelines” on page 85.

This topic provides instructions on how to remove and reinstall the front bezel.

Before you begin, print all the related instructions or ensure that you can view the PDF version on another computer for reference.

Notes:

- This topic applies only to server models that support 2.5-inch hot-swap hard disk drives.
- Depending on the model, your server might look slightly different from the illustrations in this topic.

To remove and reinstall the front bezel for server models with 2.5-inch hot-swap hard disk drives, do the following:

1. Remove the three screws **1** that secure the front bezel and then pivot the front bezel outward to remove it from the chassis.

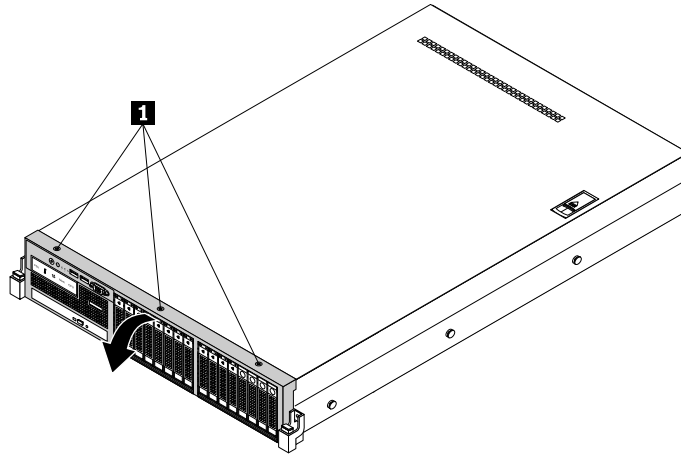


Figure 45. Removing the front bezel

2. To reinstall the front bezel, align the tabs on the bottom edge of the front bezel with the corresponding holes in the chassis. Then, pivot the front bezel inward until it snaps into position and the three screw holes **1** in the top edge of the front bezel are aligned with the corresponding holes in the top of the chassis. Install the three screws to secure the front bezel in place.

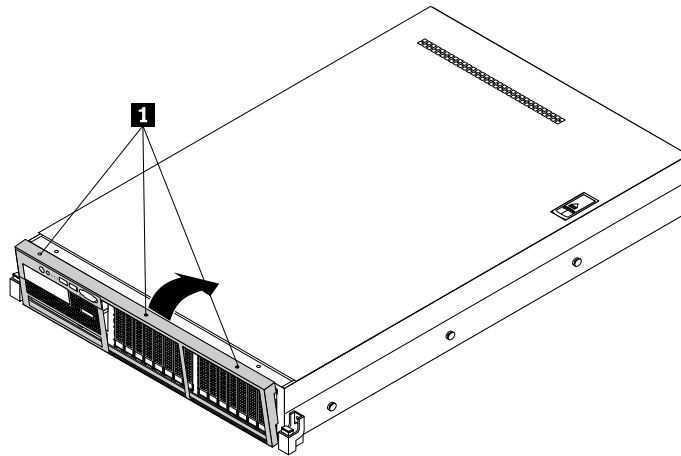


Figure 46. Installing the front bezel

Installing, removing, or replacing hardware

This topic provides instructions on how to install, remove, or replace hardware for your server. You can expand the capabilities of your server by adding new hardware devices, such as memory modules, PCI Express cards, or other server options, and maintain your server by replacing the failing hardware devices.

If you are handling a server option, refer to the appropriate installation and or removal instructions in this topic along with the instructions that come with the option.

Notes:

- Use only parts provided by Lenovo.
- Depending on the model, your server might look slightly different from the illustrations in this topic.

The EMI integrity and cooling of the server are protected by having all drive bays and PCI card slots covered or occupied. When you install an internal drive or a PCI card, save the EMI shield or dummy tray from the drive bay or save the PCI card slot bracket in case you later remove the device.

Attention: An unoccupied drive bay or PCI card slot without a cover, shield, dummy tray, filler, or any other protection might impact the EMI integrity and cooling of the server, which might result in overheating or component damage.

Removing and reinstalling the rack handles

This topic provides instructions on how to remove and reinstall the rack handles. This topic contains the following items:

- “Removing and reinstalling the rack handles for server models with twelve 3.5-inch hard-disk-drive bays” on page 91
- “Removing and reinstalling the rack handles for server models with eight 3.5-inch hard-disk-drive bays and server models with 2.5-inch hard-disk-drive bays” on page 94

Before you begin, print all the related instructions or ensure that you can view the PDF version on another computer for reference.

Note: Depending on the model, your server might look slightly different from the illustrations in this topic.

Removing and reinstalling the rack handles for server models with twelve 3.5-inch hard-disk-drive bays

<p>Attention: Do not open your server or attempt any repair before reading and understanding “Safety information” on page iii and “Guidelines” on page 85.</p>

To remove and reinstall the rack handles for server models with twelve 3.5-inch hard-disk-drive bays, do the following:

1. Remove all media from the drives and turn off all attached devices and the server. Then, disconnect all power cords from electrical outlets and disconnect all cables that are connected to the server.
2. If the server is installed in a rack cabinet, remove the server from the rack cabinet and place it on a flat, clean, and static-protective surface. See the *Rack Installation Instructions* that comes with the server.
3. Remove the server cover. See “Removing the server cover” on page 87.
4. Locate the backplane. See “Components of server models with twelve 3.5-inch hard-disk-drive bays” on page 36.

5. Disconnect the following signal cables from the signal cable connectors on the backplane for server models with twelve 3.5-inch hard-disk-drive bays.
 - Signal cable for the front controls and LEDs on the right rack handle
 - Signal cable for the front USB connectors on the left rack handle

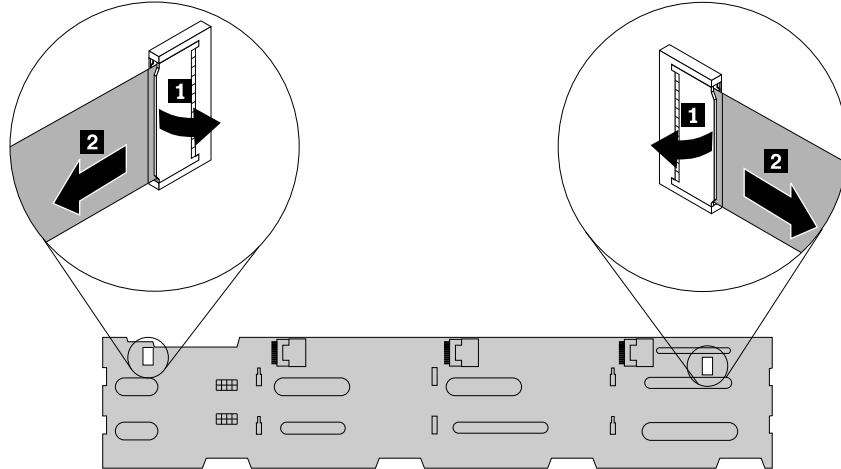


Figure 47. Disconnecting the rack handle signal cables from the backplane

6. On each side of the server, remove the screw that secures the rack handle and then remove the rack handle from the chassis.

Note: Carefully pull the signal cable of each rack handle out of the hole in the chassis when you are removing the rack handles.

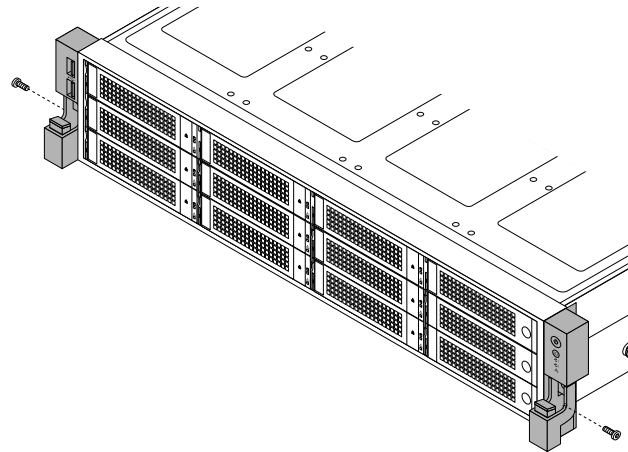


Figure 48. Removing the rack handles for server models with twelve 3.5-inch hard-disk-drive bays

7. To reinstall the rack handles for server models with twelve 3.5-inch hard-disk-drive bays, do the following:

- a. On each side of the server, insert the signal cable of the rack handle into the hole **1** in the chassis and then push the signal cable through the hole into the chassis. When the signal cable is protruding from the crack between the side edge of the backplane and the inner side of the chassis, hold the signal cable from the rear and carefully pull it into the chassis until it is stopped by the rack handle.
- b. Insert the two small tabs on the rack handle into the corresponding holes **2** in the chassis. Ensure that the screw hole in the rack handle is aligned with the corresponding hole **3** in the chassis. Then, install the screw to secure the rack handle on each side of the server.

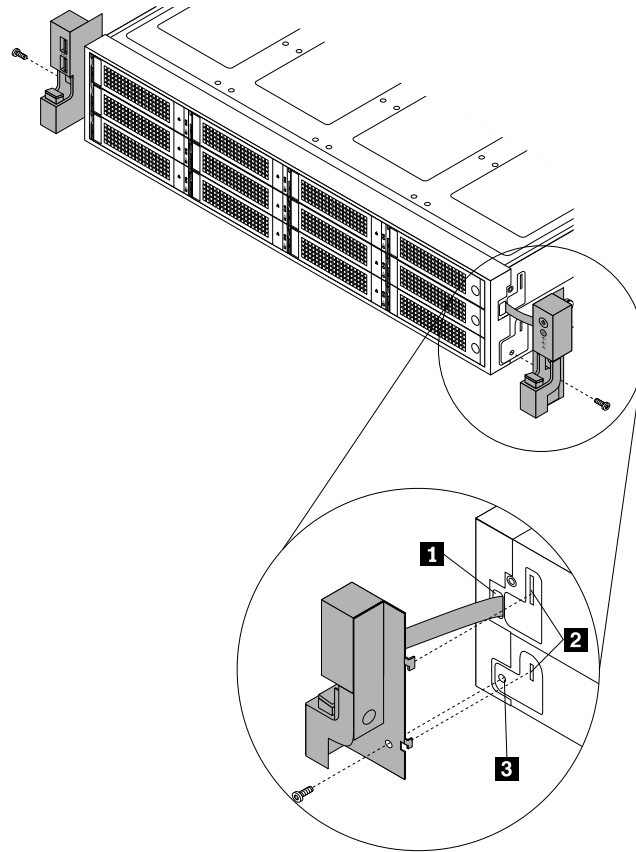


Figure 49. Installing the rack handles

- c. Connect the signal cable of each rack handle to the corresponding signal cable connector on the backplane for server models with twelve 3.5-inch hard-disk-drive bays.

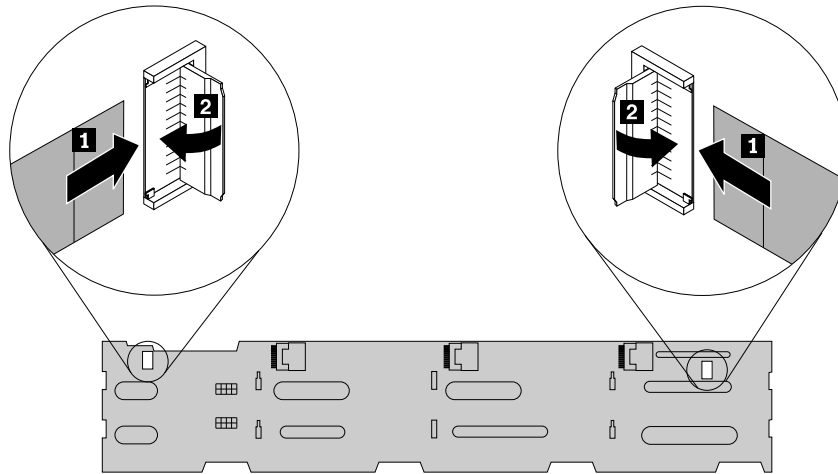


Figure 50. Connecting the rack handle signal cables to the backplane

8. Go to “Completing the parts replacement” on page 195.

Removing and reinstalling the rack handles for server models with eight 3.5-inch hard-disk-drive bays and server models with 2.5-inch hard-disk-drive bays

Attention: Do not open your server or attempt any repair before reading and understanding “Safety information” on page iii and “Guidelines” on page 85.

To remove and reinstall the rack handles for server models with eight 3.5-inch hard-disk-drive bays and server models with 2.5-inch hard-disk-drive bays, do the following:

1. On each side of the server, remove the screw that secures the rack handle and then remove the rack handle from the chassis.

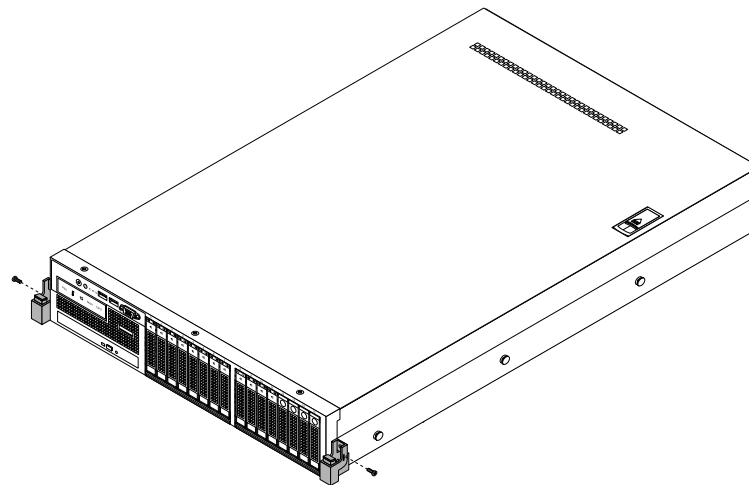


Figure 51. Removing the rack handles

2. To reinstall the rack handles, insert the small tab **1** on the rack handle into the hole **2** in the chassis. Then, align the screw hole in the rack handle with the corresponding hole in the chassis and install the screw to secure the rack handle on each side of the server.

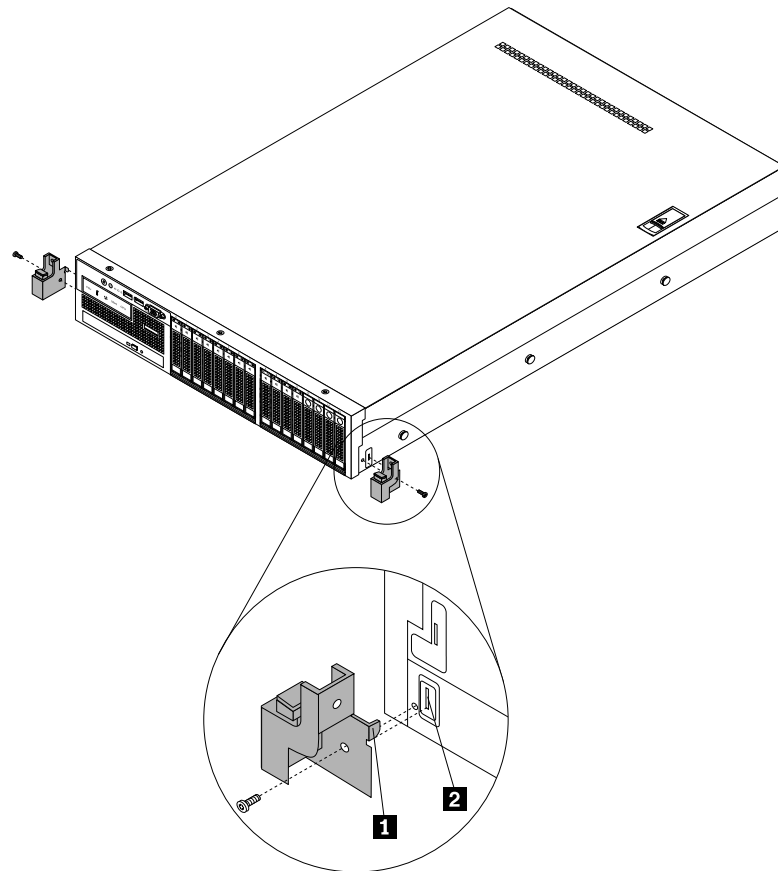


Figure 52. Installing the rack handles

Removing and reinstalling the cooling shroud

Attention: Do not open your server or attempt any repair before reading and understanding “Safety information” on page iii and “Guidelines” on page 85.

This topic provides instructions on how to remove and reinstall the cooling shroud.

To access most server components on the system board, you need to remove the cooling shroud. To ensure proper cooling and airflow, you need to reinstall the cooling shroud before turning on the server.

Before you begin, print all the related instructions or ensure that you can view the PDF version on another computer for reference.

Note: Depending on the model, your server might look slightly different from the illustrations in this topic.

To remove and reinstall the cooling shroud, do the following:

1. Remove all media from the drives and turn off all attached devices and the server. Then, disconnect all power cords from electrical outlets and disconnect all cables that are connected to the server.

2. If the server is installed in a rack cabinet, remove the server from the rack cabinet and place it on a flat, clean, and static-protective surface. See the *Rack Installation Instructions* that comes with the server.
3. Remove the server cover. See “Removing the server cover” on page 87.
4. Locate the cooling shroud and lift it out of the server.

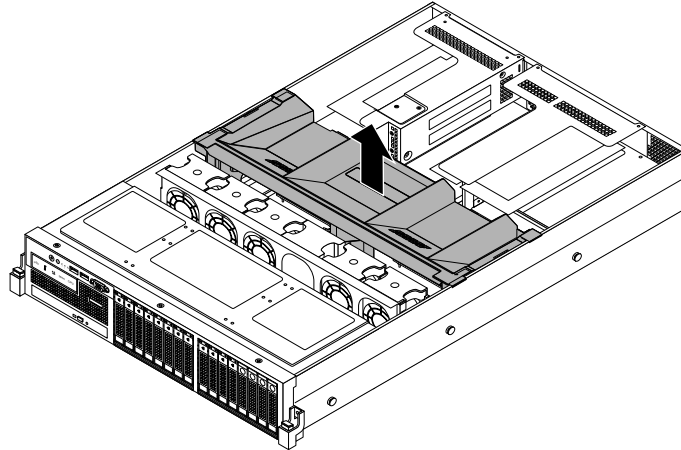


Figure 53. Removing the cooling shroud

5. To reinstall the cooling shroud, ensure that all components have been reassembled correctly and that no tools or loose screws are left inside your server; and also ensure that all cables inside the server have been properly routed so that they will not interfere with installing the cooling shroud. Note the orientation of the cooling shroud and then place it above the server so that the tabs on both sides of the cooling shroud are aligned with the corresponding holes or gaps in both sides of the chassis. Then, lower the cooling shroud into the chassis until it snaps into position.

Note: If necessary, gently press the cooling shroud on both sides so that the tabs on the cooling shroud completely engage with both sides of the chassis.

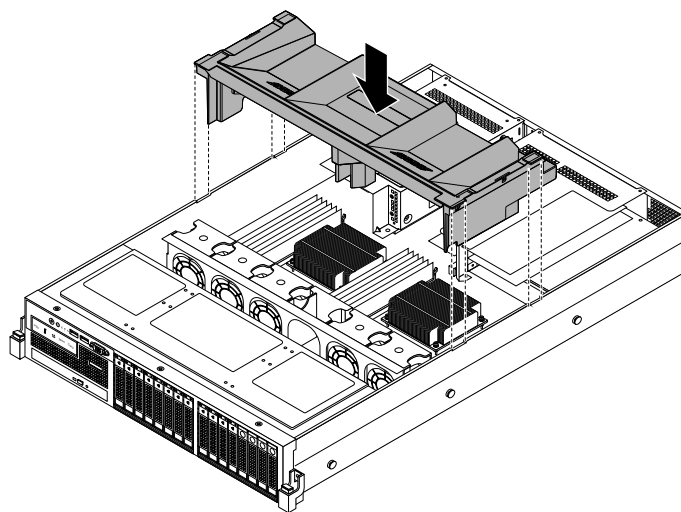


Figure 54. Installing the cooling shroud

6. Go to “Completing the parts replacement” on page 195.

Attention: For proper cooling and airflow, reinstall the cooling shroud before turning on the server. Operating the server with the cooling shroud removed might damage server components.

Removing and reinstalling the left cage

Attention: Do not open your server or attempt any repair before reading and understanding “Safety information” on page iii and “Guidelines” on page 85.

This topic provides instructions on how to remove and reinstall the left cage. For more information about the left cage, see “Front view of server models with 2.5-inch hard-disk-drive bays” on page 21.

Note: This topic applies only to server models with 2.5-inch hard-disk-drive bays.

For server models with 2.5-inch hard-disk-drive bays, you need to remove the left cage before handling the front panel board, the front VGA DB-15 connector, and the diagnostic module.

Before you begin, print all the related instructions or ensure that you can view the PDF version on another computer for reference.

Note: Depending on the model, your server might look slightly different from the illustrations in this topic.

To remove and reinstall the left cage, do the following:

1. Remove all media from the drives and turn off all attached devices and the server. Then, disconnect all power cords from electrical outlets and disconnect all cables that are connected to the server.
2. If the server is installed in a rack cabinet, remove the server from the rack cabinet and place it on a flat, clean, and static-protective surface. See the *Rack Installation Instructions* that comes with the server.
3. Remove the server cover. See “Removing the server cover” on page 87.
4. Remove the front bezel. See “Removing and reinstalling the front bezel” on page 89.
5. Remove the cooling shroud. See “Removing and reinstalling the cooling shroud” on page 95.
6. If your server has a slim optical drive installed, disconnect the signal cable and the power cable from the rear of the slim optical drive.
7. Record the cable routing and cable connections and then disconnect the front panel cable, the front panel USB cable, the diagnostic module cable, and the cable for the front VGA DB-15 connector from the system board. Then, release the cables from any cable clips or ties in the chassis.

8. Remove the two screws that secure the left cage and then slide the left cage out of the front of the chassis.

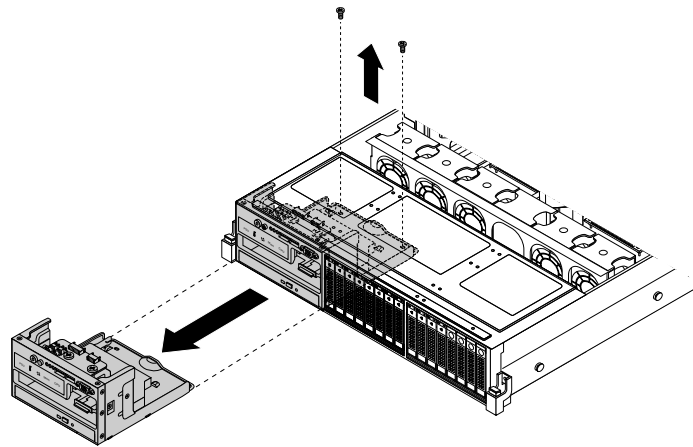


Figure 55. Removing the left cage

9. To reinstall the left cage, carefully route the cables from the left cage through the left cage hole in the front and then slide the left cage into the chassis until it snaps into position.

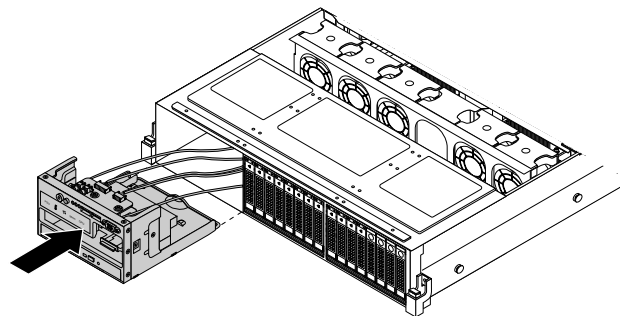


Figure 56. Sliding the left cage into the chassis

10. Ensure that the two screw holes in the rear of the left cage are aligned with the corresponding holes in the chassis. Then, install the two screws to secure the left cage in position.

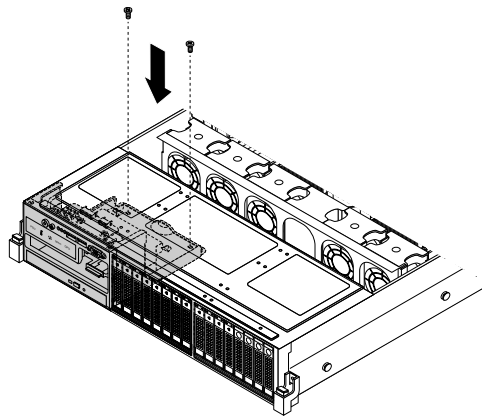


Figure 57. Installing the screws to secure the left cage

11. If your server has a slim optical drive installed, reconnect the signal cable and the power cable to the rear of the slim optical drive.
12. Refer to your note to reconnect other cables to the system board. You also can refer to “System board components” on page 52 to locate the connectors on the system board and reconnect cables.
13. Go to “Completing the parts replacement” on page 195.

Installing or removing a memory module

This topic provides instructions on how to install or remove a memory module.

Note: The memory modules are sensitive to ESD. Ensure that you read and understand “Handling static-sensitive devices” on page 86 first and carefully perform the operation.

Memory module installation rules

Your server has 12 memory slots to provide the following features:

- Each slot supports 4 GB, 8 GB, and 16 GB double data rate 3 registered dual inline memory modules (DDR3 RDIMMs).
- Your server supports up to six memory modules when one microprocessor is installed and up to 12 memory modules when two microprocessors are installed.
- The minimum system memory is 4 GB (only one microprocessor installed and only one 4 GB memory module installed in the CPU1 DIMMA1 slot).
- The maximum system memory is 192 GB (two microprocessors installed and one 16 GB memory module installed in each of the 12 memory slots).

For more information about the memory modules in your specific server model, use the Setup Utility program. See “Viewing information in the Setup Utility program” on page 63.

For a list of supported ThinkServer memory module options, go to:

<http://www.lenovo.com/thinkserver>

The following illustration shows the locations of all memory slots on a system board that has two microprocessors (also known as CPUs) installed.

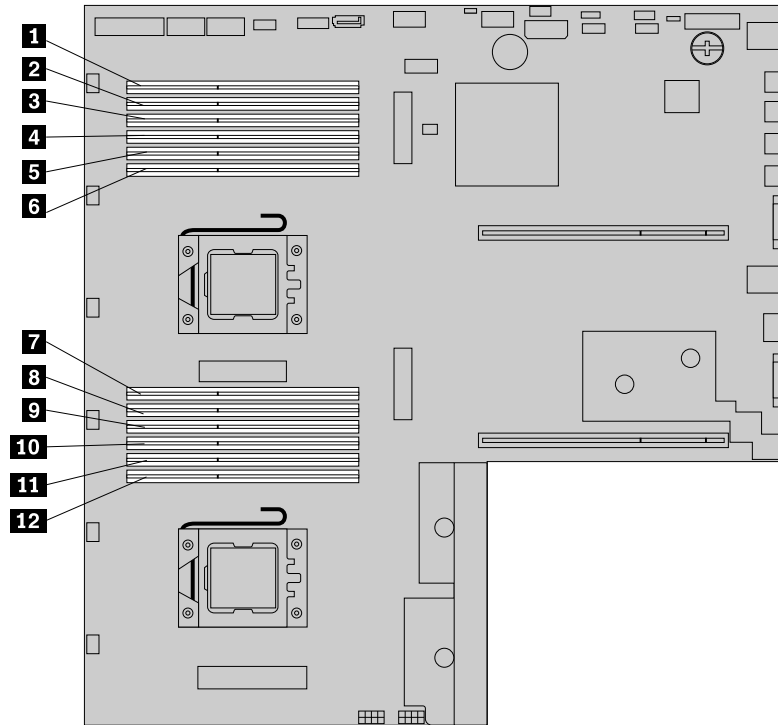


Figure 58. Memory slots on the system board

1 Memory slot (CPU1 DIMMA1)	7 Memory slot (CPU2 DIMMA1)
2 Memory slot (CPU1 DIMMA2)	8 Memory slot (CPU2 DIMMA2)
3 Memory slot (CPU1 DIMMB1)	9 Memory slot (CPU2 DIMMB1)
4 Memory slot (CPU1 DIMMB2)	10 Memory slot (CPU2 DIMMB2)
5 Memory slot (CPU1 DIMMC1)	11 Memory slot (CPU2 DIMMC1)
6 Memory slot (CPU1 DIMMC2)	12 Memory slot (CPU2 DIMMC2)

The following table explains the memory module installation rules for servers that have only one microprocessor (CPU1) installed. The “X” mark indicates the memory slots into which the memory modules should be installed in different situations.

CPU1 DIMMA1
CPU1 DIMMA2
CPU1 DIMMB1
CPU1 DIMMB2
CPU1 DIMMC1
CPU1 DIMMC2
CPU1

Figure 59. CPU1 DIMMs

Table 3. Memory module installation rules for servers with one microprocessor

CPU1 DIMM	A1	A2	B1	B2	C1	C2
One DIMM	X					
Two DIMMs	X		X			
Three DIMMs	X		X		X	
Four DIMMs	X	X	X		X	
Six DIMMs	X	X	X	X	X	X

The following table explains the memory module installation rules for servers that have two microprocessors (CPU1 and CPU2) installed. The “X” mark indicates the memory slots into which the memory modules should be installed in different situations.

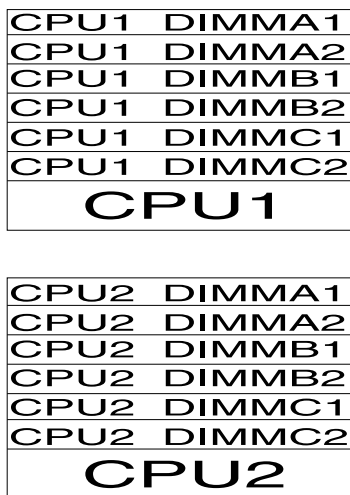


Figure 60. CPU1 DIMMs and CPU2 DIMMs

Table 4. Memory module installation rules for servers with two microprocessors

	CPU1 DIMM						CPU2 DIMM					
	A1	A2	B1	B2	C1	C2	A1	A2	B1	B2	C1	C2
Two DIMMs	X						X					
Four DIMMs	X		X				X		X			
Six DIMMs	X		X		X		X		X		X	
Eight DIMMs	X	X	X		X		X	X	X		X	
Twelve DIMMs	X	X	X	X	X	X	X	X	X	X	X	X

Installing a memory module

Attention: Do not open your server or attempt any repair before reading and understanding “Safety information” on page iii and “Guidelines” on page 85.

This topic provides instructions on how to install a memory module.

Before you begin, print all the related instructions or ensure that you can view the PDF version on another computer for reference.

Notes:

- Ensure that you consider and follow the memory module installation rules when performing the operation. See “Memory module installation rules” on page 99.
- Use any documentation that comes with the memory module and follow those instructions in addition to the instructions in this topic.

To install a memory module, do the following:

1. Remove all media from the drives and turn off all attached devices and the server. Then, disconnect all power cords from electrical outlets and disconnect all cables that are connected to the server.

2. If the server is installed in a rack cabinet, remove the server from the rack cabinet and place it on a flat, clean, and static-protective surface. See the *Rack Installation Instructions* that comes with the server.
3. Remove the server cover. See “Removing the server cover” on page 87.
4. Remove the cooling shroud. See “Removing and reinstalling the cooling shroud” on page 95.
5. Locate the memory slots on the system board and read the memory module installation rules. See “Memory module installation rules” on page 99.
6. Disconnect any cables that might impede your access to the memory slots.
7. Open the retaining clips of the appropriate memory slot.

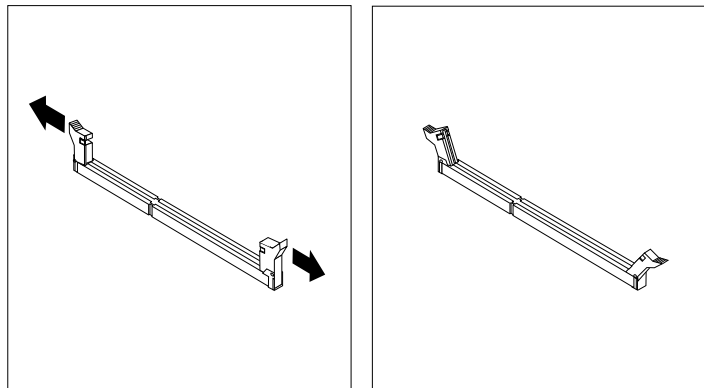


Figure 61. Opening the retaining clips of the memory slot

8. Touch the static-protective package that contains the new memory module to any unpainted surface on the outside of the server. Then, take the new memory module out of the package.

Note: Carefully handle the memory module by its edges.

9. Position the new memory module over the memory slot. Ensure that the notch **1** on the new memory module is aligned with the key **2** in the memory slot. Then, press the new memory module straight down into the memory slot until the retaining clips close and the new memory module snaps into position.

Note: If there is a gap between the memory module and the retaining clips, the memory module has not been correctly installed. Open the retaining clips, remove the memory module, and then reinstall it into the memory slot until the retaining clips are closed.

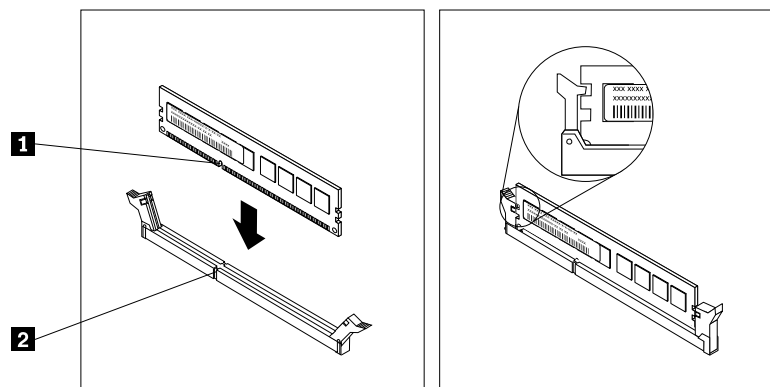


Figure 62. Installing a memory module

10. Reconnect any cables that you have disconnected.

What to do next:

- To work with another piece of hardware, go to the appropriate section.
- To complete the installation, go to “Completing the parts replacement” on page 195.

Removing a memory module

Attention: Do not open your server or attempt any repair before reading and understanding “Safety information” on page iii and “Guidelines” on page 85.

This topic provides instructions on how to remove a memory module.

Before you begin, print all the related instructions or ensure that you can view the PDF version on another computer for reference.

Note: Ensure that you consider and follow the memory module installation rules when performing the operation. See “Memory module installation rules” on page 99.

To remove a memory module, do the following:

1. Remove all media from the drives and turn off all attached devices and the server. Then, disconnect all power cords from electrical outlets and disconnect all cables that are connected to the server.
2. If the server is installed in a rack cabinet, remove the server from the rack cabinet and place it on a flat, clean, and static-protective surface. See the *Rack Installation Instructions* that comes with the server.
3. Remove the server cover. See “Removing the server cover” on page 87.
4. Remove the cooling shroud. See “Removing and reinstalling the cooling shroud” on page 95.
5. Locate the memory slots on the system board and read the memory module installation rules. See “Memory module installation rules” on page 99.
6. Disconnect any cables that might impede your access to the memory slots.
7. Locate the memory module that you want to remove and open the retaining clips on both ends of the memory slot. Then, grasp the memory module by its edges and carefully pull it straight up to remove it from the memory slot.

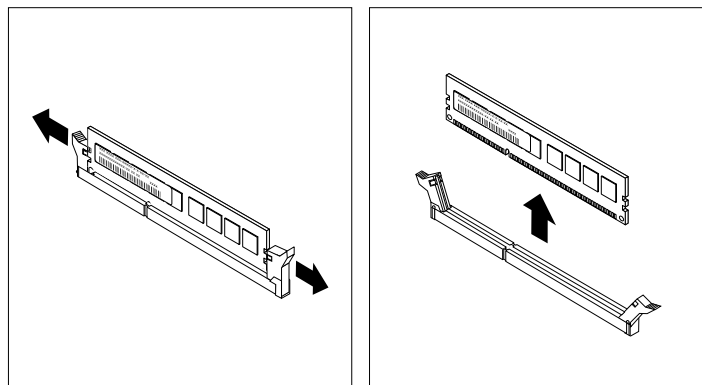


Figure 63. Removing a memory module

8. If you are instructed to return the old memory module, follow all packaging instructions and use any packaging materials that are supplied to you for shipping.

What to do next:

- To work with another piece of hardware, go to the appropriate section.
- To complete the removal procedure, go to “Completing the parts replacement” on page 195.

Installing or removing the RAID card

This topic provides instructions on how to install or remove the RAID card. If you are installing or removing any other types of supported PCI Express cards, the procedure is similar.

You can install a supported RAID card into your server to provide advanced hardware RAID functions. To support more than eight hard disk drives, the server must have a RAID card installed. For more information, see “RAID card” on page 40 and “Configuring RAID” on page 74.

Installing the RAID card

Attention: Do not open your server or attempt any repair before reading and understanding “Safety information” on page iii and “Guidelines” on page 85.

This topic provides instructions on how to install the RAID card.

Attention: Ensure that you back up your data before installing the RAID card because you might need to reconfigure RAID and reinstall the operating system after installing the RAID card.

Before you begin, print all the related instructions or ensure that you can view the PDF version on another computer for reference.

Notes:

- The RAID card is sensitive to ESD. Ensure that you read and understand “Handling static-sensitive devices” on page 86 first and carefully perform the operation.
- Depending on the specific type, your RAID card might look different from the illustrations in this topic.
- Use any documentation that comes with the RAID card and follow those instructions in addition to the instructions in this topic.

To install the RAID card, do the following:

1. Remove all media from the drives and turn off all attached devices and the server. Then, disconnect all power cords from electrical outlets and disconnect all cables that are connected to the server.
2. If the server is installed in a rack cabinet, remove the server from the rack cabinet and place it on a flat, clean, and static-protective surface. See the *Rack Installation Instructions* that comes with the server.
3. Remove the server cover. See “Removing the server cover” on page 87.
4. Remove the cooling shroud. See “Removing and reinstalling the cooling shroud” on page 95.
5. Remove the riser card assembly 1 and lay it upside down on a flat, clean, and static-protective surface. See “Replacing the riser card assembly 1” on page 172.

6. There are two PCI Express card slots on the riser card assembly 1 and the longer one is for installing the RAID card. Remove the slot bracket for the longer slot and store it in case you later remove the RAID card and need the bracket to cover the place.

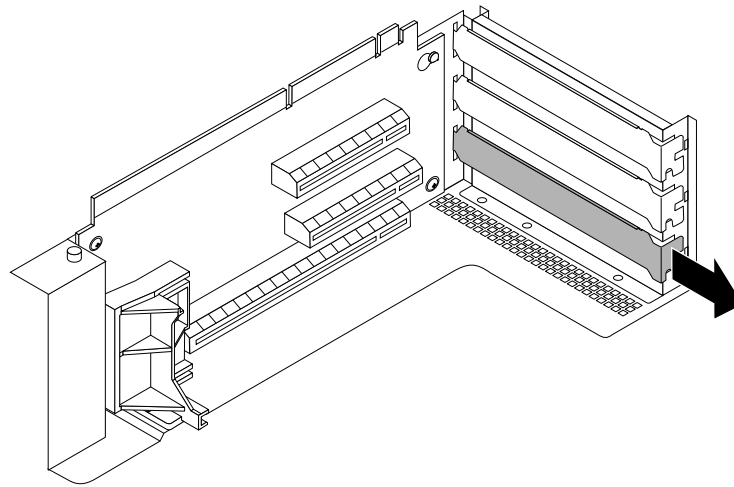


Figure 64. Removing a PCI Express card slot bracket

7. Touch the static-protective package that contains the new RAID card to any unpainted surface on the outside of the server. Then, take the new RAID card out of the package.

Note: Carefully handle the RAID card by its edges.

8. Note the dotted lines in the following illustration to properly position the new RAID card near the longer PCI Express card slot on the riser card assembly 1. Then, carefully press the new RAID card straight into the slot until it is securely seated and its bracket also is secured by the riser card assembly 1.

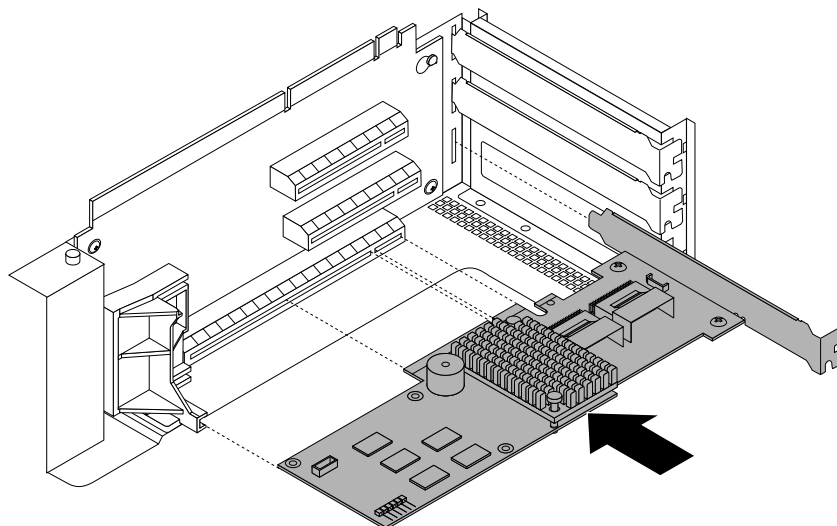


Figure 65. Installing the RAID card

9. If your server has more than eight hard disk drives, connect two mini-SAS to mini-SAS signal cables to the RAID card first and then install an expander card. See “Installing or removing the expander card” on page 114.

10. Connect cables depending on your specific server configuration. See “Connecting the cables” on page 47.
11. Reinstall the riser card assembly 1. See “Replacing the riser card assembly 1” on page 172.

What to do next:

- To work with another piece of hardware, go to the appropriate section.
- To complete the installation, go to “Completing the parts replacement” on page 195. Then, configure RAID for your server. See “Configuring RAID” on page 74.
- After a Lenovo RAID card is installed, do the following:
 1. Check the version of the new RAID card firmware by pressing Ctrl+H when starting the Setup Utility program.
 2. Go to <http://www.lenovo.com/drivers> and follow the instructions on the Web page to download the latest version of firmware. Then, install the firmware to your server.

Note: If you want to use the Firmware Updater program, ensure that it is the latest version. To get the latest version of the Firmware Updater program, go to <http://www.lenovo.com/drivers>, locate different versions of the program, and then identify the latest version by comparing readme files. If the latest version of the Firmware Updater program does not contain the latest version of the driver you need, download that driver separately from the Web page and install it individually to your server.

Removing the RAID card

Attention: Do not open your server or attempt any repair before reading and understanding “Safety information” on page iii and “Guidelines” on page 85.

This topic provides instructions on how to remove the RAID card.

Attention: Ensure that you back up your data before removing the RAID card because you might need to reconfigure RAID and reinstall the operating system after removing the RAID card.

Before you begin, print all the related instructions or ensure that you can view the PDF version on another computer for reference.

Notes:

- If you remove the RAID card, you will lose the advanced hardware RAID functions. Also, the server must have a RAID card installed to support more than eight hard disk drives.
- The RAID card is sensitive to ESD. Ensure that you read and understand “Handling static-sensitive devices” on page 86 first and carefully perform the operation.
- Depending on the specific type, your RAID card might look different from the illustrations in this topic.
- Use any documentation that comes with the RAID card and follow those instructions in addition to the instructions in this topic.

To remove the RAID card, do the following:

1. Remove all media from the drives and turn off all attached devices and the server. Then, disconnect all power cords from electrical outlets and disconnect all cables that are connected to the server.
2. If the server is installed in a rack cabinet, remove the server from the rack cabinet and place it on a flat, clean, and static-protective surface. See the *Rack Installation Instructions* that comes with the server.
3. Remove the server cover. See “Removing the server cover” on page 87.
4. Remove the cooling shroud. See “Removing and reinstalling the cooling shroud” on page 95.

5. Remove the riser card assembly 1 and lay it upside down on a flat, clean, and static-protective surface. See “Replacing the riser card assembly 1” on page 172.
6. If there is an expander card installed on the riser card assembly 1, you might need to remove the expander card first for easier operation. See “Installing or removing the expander card” on page 114.
7. There are two PCI Express card slots on the riser card assembly 1 and the RAID card is installed in the longer slot. Grasp the RAID card by its edges and carefully pull it out of the PCI Express card slot.

Note: The RAID card might fit tightly into the PCI Express card slot. If necessary, alternate moving each side of the RAID card a small and equal amount until it is removed from the slot.

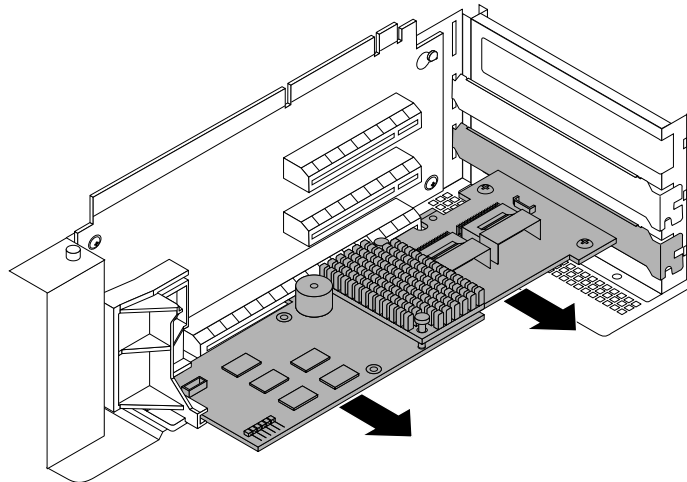


Figure 66. Removing the RAID card

8. Do one of the following:
 - If you will not use a RAID card, ensure that the expander card (if any) also has been removed. Then, install a PCI Express card slot bracket for each slot on the riser card assembly 1.
 - If you want to install a new RAID card, see “Installing the RAID card” on page 105. Then, install the expander card if needed. See “Installing the expander card” on page 115.
9. Connect cables depending on your specific server configuration. See “Connecting the cables” on page 47.
10. Reinstall the riser card assembly 1. See “Replacing the riser card assembly 1” on page 172.
11. If you are instructed to return the old RAID card, follow all packaging instructions and use any packaging materials that are supplied to you for shipping.

What to do next:

- To work with another piece of hardware, go to the appropriate section.
- To complete the removal procedure, go to “Completing the parts replacement” on page 195. Then, configure RAID for your server. See “Configuring RAID” on page 74.

Installing or removing the ThinkServer RAID 500 Upgrade Key for Advanced RAID

This topic provides instructions on how to install or remove the ThinkServer RAID 500 Upgrade Key for Advanced RAID (hereinafter referred to as the TR 500 Key).

The TR 500 Key expands the capability of the ThinkServer RAID 500 Adapter by activating RAID 5 and RAID 50 for advanced SATA/SAS hardware RAID. You can purchase a TR 500 Key from Lenovo.

Installing the TR 500 Key

Attention: Do not open your server or attempt any repair before reading and understanding “Safety information” on page iii and “Guidelines” on page 85.

This topic provides instructions on how to install the TR 500 Key on a ThinkServer RAID 500 Adapter if your server has one installed.

Attention: Back up your data before you begin if you want to reconfigure RAID and reinstall the operating system after installing the TR 500 Key.

Before you begin, print all the related instructions or ensure that you can view the PDF version on another computer for reference.

Note: Use any documentation that comes with the TR 500 Key and follow those instructions in addition to the instructions in this topic.

To install the TR 500 Key, do the following:

1. Remove all media from the drives and turn off all attached devices and the server. Then, disconnect all power cords from electrical outlets and disconnect all cables that are connected to the server.
2. If the server is installed in a rack cabinet, remove the server from the rack cabinet and place it on a flat, clean, and static-protective surface. See the *Rack Installation Instructions* that comes with the server.
3. Remove the server cover. See “Removing the server cover” on page 87.
4. Locate the ThinkServer RAID 500 Adapter, which is installed in the upper slot on the riser card assembly.
 1. See “Server components” on page 34.
5. Touch the static-protective package that contains the TR 500 Key to any unpainted surface on the outside of the server. Then, take the TR 500 Key out of the package.

Note: Carefully handle the TR 500 Key by its edges.

6. Locate the RAID 5 key connector on the ThinkServer RAID 500 Adapter and then carefully insert the TR 500 Key into the connector. If necessary, you can remove the ThinkServer RAID 500 Adapter first, install the TR 500 Key on it, and then reinstall the ThinkServer RAID 500 Adapter. See “Installing or removing the RAID card” on page 105.

Note: Ensure that the TR 500 Key is securely seated on the ThinkServer RAID 500 Adapter.

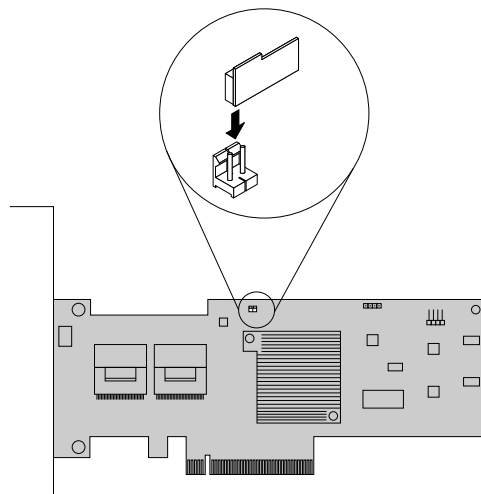


Figure 67. Installing the TR 500 Key

What to do next:

- To work with another piece of hardware, go to the appropriate section.
- To complete the installation, go to “Completing the parts replacement” on page 195. Then, the hardware RAID 5 and RAID 50 are available for your server if your server has the required number of hard disk drives installed. Refer to the *MegaRAID SAS Software User Guide* on the documentation DVD that comes with your server for information about how to configure the hardware RAID.

Removing the TR 500 Key

Attention: Do not open your server or attempt any repair before reading and understanding “Safety information” on page iii and “Guidelines” on page 85.

This topic provides instructions on how to remove the TR 500 Key if your server has a ThinkServer RAID 500 Adapter with a TR 500 Key option installed.

Attention: Back up your data before you begin if you need to reconfigure RAID and reinstall the operating system after removing the TR 500 Key.

Before you begin, print all the related instructions or ensure that you can view the PDF version on another computer for reference.

Notes:

- If you remove the TR 500 Key, the hardware RAID 5 and RAID 50 will be disabled.
- Use any documentation that comes with the TR 500 Key and follow those instructions in addition to the instructions in this topic.

To remove the TR 500 Key, do the following:

1. Remove all media from the drives and turn off all attached devices and the server. Then, disconnect all power cords from electrical outlets and disconnect all cables that are connected to the server.
2. If the server is installed in a rack cabinet, remove the server from the rack cabinet and place it on a flat, clean, and static-protective surface. See the *Rack Installation Instructions* that comes with the server.
3. Remove the server cover. See “Removing the server cover” on page 87.
4. Locate the ThinkServer RAID 500 Adapter, which is installed in the upper slot on the riser card assembly 1. See “Server components” on page 34.
5. Remove the TR 500 Key from the ThinkServer RAID 500 Adapter. If necessary, you can remove the ThinkServer RAID 500 Adapter first, remove the TR 500 Key from it, and then reinstall the ThinkServer RAID 500 Adapter. See “Installing or removing the RAID card” on page 105.

Note: Carefully handle the TR 500 Key by its edges.

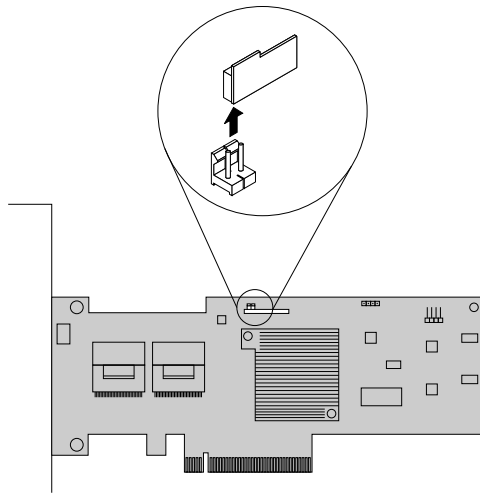


Figure 68. Removing the TR 500 Key

6. If you are instructed to return the old TR 500 Key, follow all packaging instructions and use any packaging materials that are supplied to you for shipping.

What to do next:

- To work with another piece of hardware, go to the appropriate section.
- To complete the removal procedure, go to “Completing the parts replacement” on page 195. As the hardware RAID 5 and RAID 50 are not available without the TR 500 Key, you might need to reconfigure RAID for your server. Refer to the *MegaRAID SAS Software User Guide* on the documentation DVD that comes with your server for information about how to configure the hardware RAID.

Installing or removing the ThinkServer RAID 700 Battery

This topic provides instructions on how to install or remove the ThinkServer RAID 700 Battery (hereinafter referred to as the TR 700 Battery).

The TR 700 Battery protects the integrity of the cached data on the ThinkServer RAID 700 Adapter by providing backup power up to 72 hours in the case of a complete ac power failure or a brief power outage. It has built-in functionality to automatically charge the battery pack and to communicate battery status information (such as voltage, temperature, and current) to your server. It also provides an inexpensive

alternative to using an uninterruptible power supply, and a second level of fault tolerance when used with an uninterruptible power supply.

The temperature of the TR 700 Battery is generally 15-20°C (59-68°F) higher than the ambient temperature during fast charge. Therefore, to complete a recharge cycle, the ambient temperature should be lower than 55°C (131°F). If the ambient temperature exceeds 55°C (131°F), the recharge cycle will terminate prematurely, thus preventing the TR 700 Battery from reaching a fully charged state. A recharge cycle lasts at least six hours under normal operating conditions.

Attention: It is recommended that you replace the TR 700 Battery annually or after 500 recharging cycles, whichever comes first.

Installing the TR 700 Battery

Attention: Do not open your server or attempt any repair before reading and understanding “Safety information” on page iii and “Guidelines” on page 85.

This topic provides instructions on how to install the TR 700 Battery on a ThinkServer RAID 700 Adapter if your server has one installed.

Before you begin, print all the related instructions or ensure that you can view the PDF version on another computer for reference.

Note: Use any documentation that comes with the TR 700 Battery and follow those instructions in addition to the instructions in this topic.

To install the TR 700 Battery, do the following:

1. Remove all media from the drives and turn off all attached devices and the server. Then, disconnect all power cords from electrical outlets and disconnect all cables that are connected to the server.
2. If the server is installed in a rack cabinet, remove the server from the rack cabinet and place it on a flat, clean, and static-protective surface. See the *Rack Installation Instructions* that comes with the server.
3. Remove the server cover. See “Removing the server cover” on page 87.
4. Remove the cooling shroud. See “Removing and reinstalling the cooling shroud” on page 95.
5. Remove the riser card assembly 1 and lay it upside down on a flat, clean, and static-protective surface. See “Replacing the riser card assembly 1” on page 172.
6. Remove the ThinkServer RAID 700 Adapter, which is a kind of RAID card, from the riser card assembly 1. See “Installing or removing the RAID card” on page 105.

Note: Carefully handle the ThinkServer RAID 700 Adapter by its edges and place it on a flat, clean, and static-protective surface after you remove it.

7. Touch the static-protective package that contains the TR 700 Battery to any unpainted surface on the outside of the server. Then, take the TR 700 Battery out of the package.

- Position the TR 700 Battery above the ThinkServer RAID 700 Adapter so that the board-to-board connector **1** on the bottom of the TR 700 Battery is aligned with the connector **2** on the ThinkServer RAID 700 Adapter; and the three mounting studs on the bottom of the TR 700 Battery are aligned with the corresponding holes in the ThinkServer RAID 700 Adapter. Carefully press the TR 700 Battery onto the ThinkServer RAID 700 Adapter until the two connectors (**1** and **2**) are firmly joined. Then, install the three screws that come with the TR 700 Battery option kit to secure the TR 700 Battery in place.

Notes:

- Center the screwdriver when you install the screws and do not over-tighten the screws to avoid possible damage to any parts.
- Do not touch the board on the bottom of the TR 700 Battery.

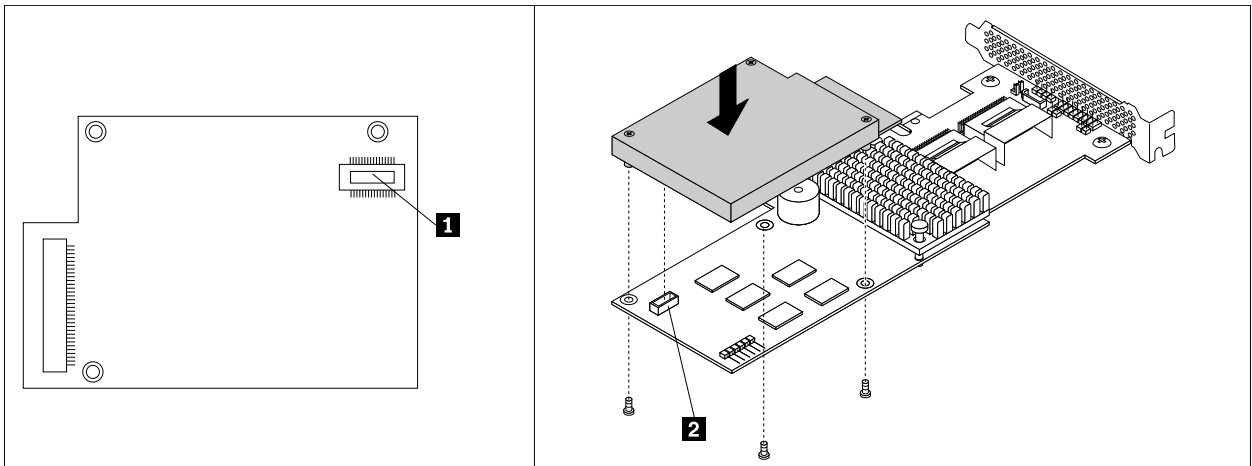


Figure 69. Installing the TR 700 Battery

- Install the ThinkServer RAID 700 Adapter with the TR 700 Battery on the riser card assembly 1. See “Installing or removing the RAID card” on page 105.
- Reinstall the riser card assembly 1. See “Replacing the riser card assembly 1” on page 172.

What to do next:

- To work with another piece of hardware, go to the appropriate section.
- To complete the installation, go to “Completing the parts replacement” on page 195.

Removing the TR 700 Battery

Attention: Do not open your server or attempt any repair before reading and understanding “Safety information” on page iii and “Guidelines” on page 85.

This topic provides instructions on how to remove the TR 700 Battery if your server has a ThinkServer RAID 700 Adapter with a TR 700 Battery option installed.

Before you begin, print all the related instructions or ensure that you can view the PDF version on another computer for reference.

Notes:

- If you remove the TR 700 Battery, you will lose the backup power for the ThinkServer RAID 700 Adapter.

- Use any documentation that comes with the TR 700 Battery and follow those instructions in addition to the instructions in this topic.

To remove the TR 700 Battery, do the following:

1. Remove all media from the drives and turn off all attached devices and the server. Then, disconnect all power cords from electrical outlets and disconnect all cables that are connected to the server.
2. If the server is installed in a rack cabinet, remove the server from the rack cabinet and place it on a flat, clean, and static-protective surface. See the *Rack Installation Instructions* that comes with the server.
3. Remove the server cover. See “Removing the server cover” on page 87.
4. Remove the cooling shroud. See “Removing and reinstalling the cooling shroud” on page 95.
5. Remove the riser card assembly 1 and lay it upside down on a flat, clean, and static-protective surface. See “Replacing the riser card assembly 1” on page 172.
6. Remove the ThinkServer RAID 700 Adapter, which is a kind of RAID card, from the riser card assembly 1. See “Installing or removing the RAID card” on page 105.
7. Carefully remove the three screws that secure the TR 700 Battery and then remove the TR 700 Battery from the ThinkServer RAID 700 Adapter.

Note: Center the screwdriver when you remove the screws to avoid possible damage to any parts.

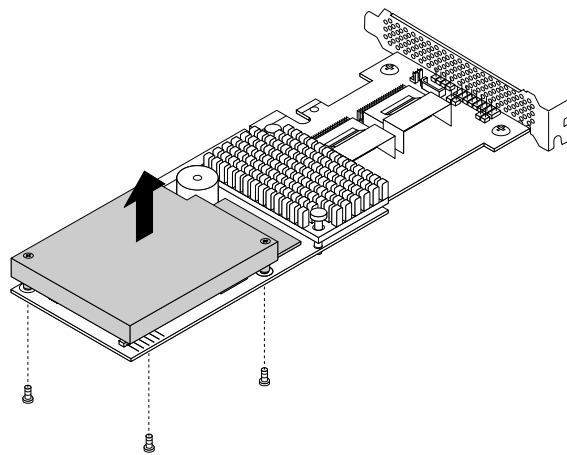


Figure 70. Removing the TR 700 Battery

8. If you want to install a new TR 700 Battery, see “Installing the TR 700 Battery” on page 112.
9. Reinstall the ThinkServer RAID 700 Adapter with a new TR 700 Battery or without a TR 700 Battery on the riser card assembly 1. See “Installing or removing the RAID card” on page 105.
10. Reinstall the riser card assembly 1. See “Replacing the riser card assembly 1” on page 172.

What to do next:

- To work with another piece of hardware, go to the appropriate section.
- To complete the removal procedure, go to “Completing the parts replacement” on page 195.

Installing or removing the expander card

This topic provides instructions on how to install or remove the expander card. The expander card works together with the RAID card by expanding the ports on the RAID card so that the server can support up to 16 hard disk drives.

Notes:

- The server must have a RAID card and an expander card installed to support more than eight hard disk drives.
- The expander card is sensitive to ESD. Ensure that you read and understand “Handling static-sensitive devices” on page 86 first and carefully perform the operation.

Installing the expander card

Attention: Do not open your server or attempt any repair before reading and understanding “Safety information” on page iii and “Guidelines” on page 85.

This topic provides instructions on how to install the expander card.

Attention: Ensure that you back up your data before installing the expander card because you might need to reconfigure RAID and reinstall the operating system after installing the expander card.

Before you begin, print all the related instructions or ensure that you can view the PDF version on another computer for reference.

Notes:

- The card might look slightly different from the illustrations in this topic.
- Use any documentation that comes with the expander card and follow those instructions in addition to the instructions in this topic.

To install the expander card, do the following:

1. Remove all media from the drives and turn off all attached devices and the server. Then, disconnect all power cords from electrical outlets and disconnect all cables that are connected to the server.
2. If the server is installed in a rack cabinet, remove the server from the rack cabinet and place it on a flat, clean, and static-protective surface. See the *Rack Installation Instructions* that comes with the server.
3. Remove the server cover. See “Removing the server cover” on page 87.
4. Remove the cooling shroud. See “Removing and reinstalling the cooling shroud” on page 95.
5. Remove the riser card assembly 1 and lay it upside down on a flat, clean, and static-protective surface. See “Replacing the riser card assembly 1” on page 172.

- There are two PCI Express card slots on the riser card assembly 1 and the shorter one is for installing the expander card. Remove the slot bracket for the shorter slot and store it in case you later remove the expander card and need the bracket to cover the place.

Note: Ensure that you install the RAID card and connect two mini-SAS to mini-SAS signal cables to the RAID card before installing the expander card.

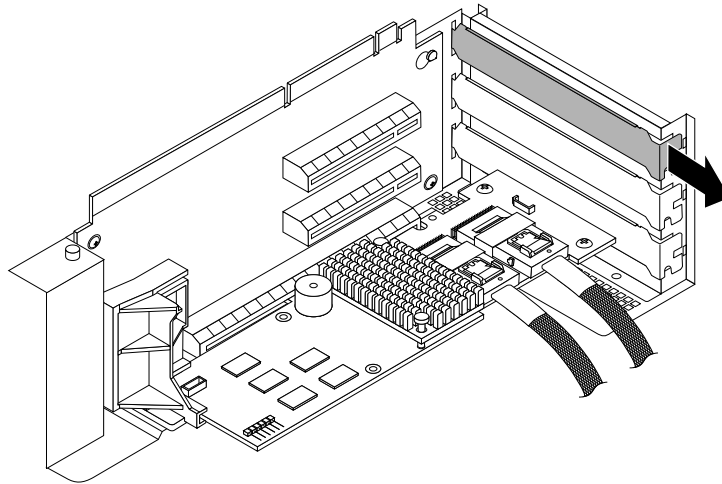


Figure 71. Removing a PCI Express card slot bracket

- Touch the static-protective package that contains the expander card to any unpainted surface on the outside of the server. Then, take the expander card out of the package.

Note: Carefully handle the expander card by its edges.

- Note the dotted lines in the following illustration to properly position the expander card near the shorter PCI Express card slot on the riser card assembly 1. Then, carefully press the expander card straight into the slot until it is securely seated and its bracket also is secured by the riser card assembly 1.

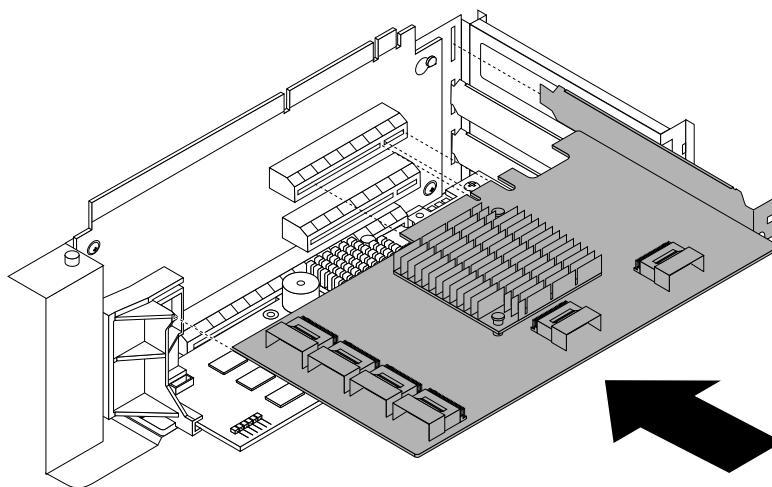


Figure 72. Installing the expander card

9. Connect cables depending on your specific server configuration. See “Connecting the cables” on page 47.
10. Reinstall the riser card assembly 1. See “Replacing the riser card assembly 1” on page 172.

What to do next:

- To work with another piece of hardware, go to the appropriate section.
- To complete the installation, go to “Completing the parts replacement” on page 195. Then, you might need to configure RAID for your server. See “Configuring RAID” on page 74.
- After an expander card is installed, it might not be easy to check the current version of the expander card firmware. It is recommended that you always go to <http://www.lenovo.com/drivers> and follow the instructions on the Web page to download the latest version of firmware. Then, install the firmware to your server.

Note: If you want to use the Firmware Updater program, ensure that it is the latest version. To get the latest version of the Firmware Updater program, go to <http://www.lenovo.com/drivers>, locate different versions of the program, and then identify the latest version by comparing readme files. If the latest version of the Firmware Updater program does not contain the latest version of the driver you need, download that driver separately from the Web page and install it individually to your server.

Removing the expander card

Attention: Do not open your server or attempt any repair before reading and understanding “Safety information” on page iii and “Guidelines” on page 85.

This topic provides instructions on how to remove the expander card.

Attention:

- The server must have a RAID card and an expander card installed to support more than eight hard disk drives.
- Ensure that you back up your data before removing the expander card because you might need to reconfigure RAID and reinstall the operating system after removing the expander card.

Before you begin, print all the related instructions or ensure that you can view the PDF version on another computer for reference.

Notes:

- The card might look slightly different from the illustrations in this topic.
- Use any documentation that comes with the expander card and follow those instructions in addition to the instructions in this topic.

To remove the expander card, do the following:

1. Remove all media from the drives and turn off all attached devices and the server. Then, disconnect all power cords from electrical outlets and disconnect all cables that are connected to the server.
2. If the server is installed in a rack cabinet, remove the server from the rack cabinet and place it on a flat, clean, and static-protective surface. See the *Rack Installation Instructions* that comes with the server.
3. Remove the server cover. See “Removing the server cover” on page 87.
4. Remove the cooling shroud. See “Removing and reinstalling the cooling shroud” on page 95.
5. Remove the riser card assembly 1 and lay it upside down on a flat, clean, and static-protective surface. See “Replacing the riser card assembly 1” on page 172.

6. There are two PCI Express card slots on the riser card assembly 1 and the expander card is installed in the shorter slot. Disconnect cables from the expander card. Then, grasp the expander card by its edges and carefully pull it out of the PCI Express card slot.

Note: The expander card might fit tightly into the PCI Express card slot. If necessary, alternate moving each side of the expander card a small and equal amount until it is removed from the slot.

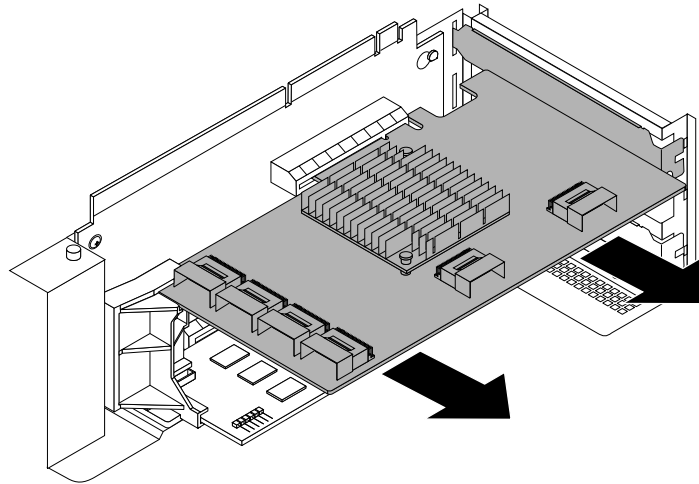


Figure 73. Removing the expander card

7. Depending on your needs, do one of the following:
 - Install a new expander card to replace the old one and reconnect cables. See “Installing the expander card” on page 115.
 - Install a PCI Express card slot bracket to cover the place and reconnect cables. See “Connecting the cables” on page 47.
8. Reinstall the riser card assembly 1. See “Replacing the riser card assembly 1” on page 172.
9. If you are instructed to return the old expander card, follow all packaging instructions and use any packaging materials that are supplied to you for shipping.

What to do next:

- To work with another piece of hardware, go to the appropriate section.
- To complete the removal procedure, go to “Completing the parts replacement” on page 195. Then, you might need to reconfigure RAID for your server. See “Configuring RAID” on page 74.

Installing or removing an Ethernet card

This topic provides instructions on how to install or remove an Ethernet card. If you are installing or removing any other types of supported PCI Express cards, the procedure is similar.

Note: The Ethernet card is sensitive to ESD. Ensure that you read and understand “Handling static-sensitive devices” on page 86 first and carefully perform the operation.

Installing an Ethernet card

Attention: Do not open your server or attempt any repair before reading and understanding “Safety information” on page iii and “Guidelines” on page 85.

This topic provides instructions on how to install an Ethernet card.

Before you begin, print all the related instructions or ensure that you can view the PDF version on another computer for reference.

Notes:

- Depending on the specific type, the Ethernet card might look different from the illustrations in this topic.
- Use any documentation that comes with the Ethernet card and follow those instructions in addition to the instructions in this topic.

To install an Ethernet card, do the following:

1. Remove all media from the drives and turn off all attached devices and the server. Then, disconnect all power cords from electrical outlets and disconnect all cables that are connected to the server.
2. If the server is installed in a rack cabinet, remove the server from the rack cabinet and place it on a flat, clean, and static-protective surface. See the *Rack Installation Instructions* that comes with the server.
3. Remove the server cover. See “Removing the server cover” on page 87.
4. Remove the riser card assembly 2 and lay it upside down on a flat, clean, and static-protective surface. See “Replacing the riser card assembly 2” on page 174.

Note: Usually Ethernet cards are installed on the riser card assembly 2. An Ethernet card also can be installed in any PCI Express card slot that supports it. See “Rear view of the server” on page 29 to identify the PCI Express card slots of your server.

5. Locate an appropriate PCI Express card slot for installing the Ethernet card and then remove the PCI Express card slot bracket from the riser card assembly. Store the bracket in case you later remove the Ethernet card and need the bracket to cover the place.

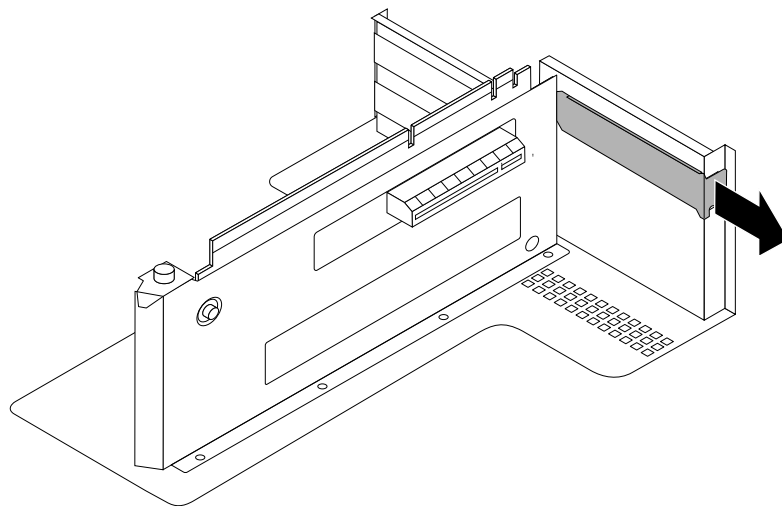


Figure 74. Removing a PCI Express card slot bracket

6. Touch the static-protective package that contains the Ethernet card to any unpainted surface on the outside of the server. Then, take the Ethernet card out of the package.

Note: Carefully handle the Ethernet card by its edges.

7. If you want to install an Ethernet card into the slot for a low-profile card, you might need to replace the full-height bracket for the Ethernet card with the low-profile bracket contained in the Ethernet card package by doing the following:

Note: Depending on the specific type, the Ethernet card and its bracket might look different from the following illustrations.

- a. Carefully remove the screws that secure the Ethernet card and then remove the full-height bracket from the Ethernet card.

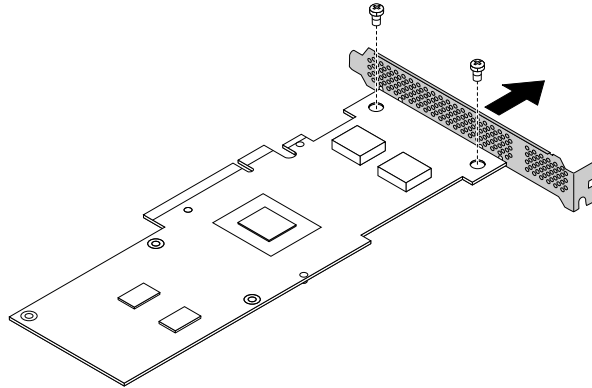


Figure 75. Removing the full-height bracket from the Ethernet card

- b. Note the orientation of the low-profile bracket and position it on the Ethernet card so that the screw holes in the low-profile bracket are aligned with the corresponding holes in the Ethernet card. Then, carefully install the screws to attach the low-profile bracket to the Ethernet card securely.

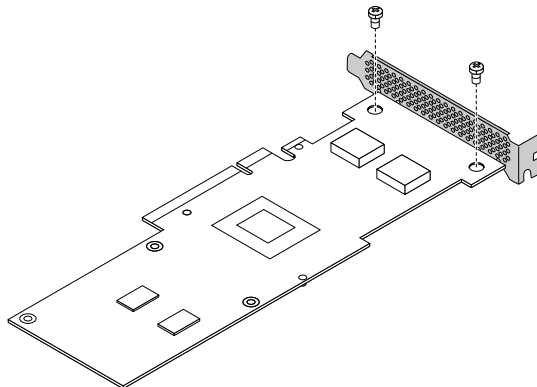


Figure 76. Installing the low-profile bracket to the Ethernet card

- Position the Ethernet card near the PCI Express card slot for which you have removed the slot bracket. Then, carefully press the Ethernet card straight into the slot until it is securely seated and its bracket also is secured by the riser card assembly 2.

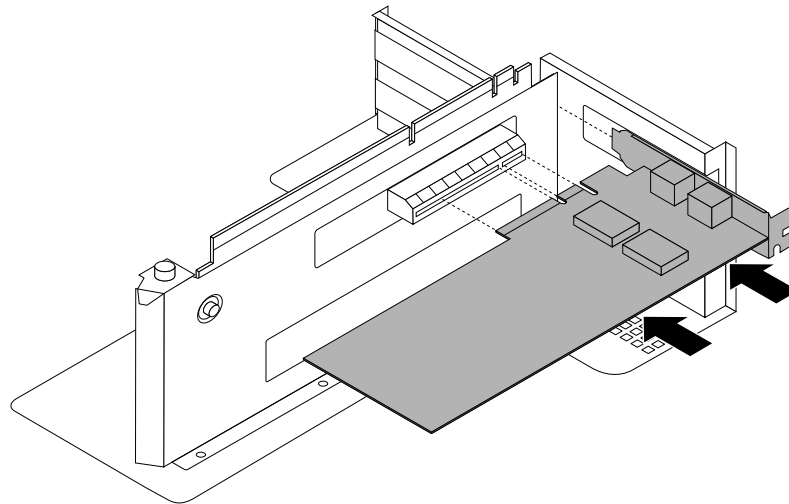


Figure 77. Installing an Ethernet card

- Depending on the type of the Ethernet card, you might need to connect any required cables. Refer to the documentation that comes with the Ethernet card for specific information.
- Reinstall the riser card assembly 2. See “Replacing the riser card assembly 2” on page 174.

What to do next:

- To work with another piece of hardware, go to the appropriate section.
- To complete the installation, go to “Completing the parts replacement” on page 195. Then, continue with the following procedure to install the Ethernet card driver if required.

To install the required device driver for the Ethernet card, do one of the following:

Note: You do not need to use the driver disc that might come with the Ethernet card.

- If you are using a Windows operating system, run the *ThinkServer EasyStartup* DVD that comes with your server and follow the instructions on the screen to download and install the required Ethernet card driver to the server. For more information, see “Using the ThinkServer EasyStartup program on a Windows operating system” on page 74.
- If you are using a Linux operating system, run the *ThinkServer EasyStartup* DVD that comes with your server on a computer with a Windows operating system and download the required Ethernet card driver to a removable storage device. Then, transfer the Ethernet card driver from the removable storage device to your server and run the driver file to install the driver.

The most up-to-date device drivers for various server models are always available for download on the Lenovo Support Web site at:
<http://www.lenovo.com/drivers>

Removing an Ethernet card

Attention: Do not open your server or attempt any repair before reading and understanding “Safety information” on page iii and “Guidelines” on page 85.

This topic provides instructions on how to remove an Ethernet card.

Before you begin, print all the related instructions or ensure that you can view the PDF version on another computer for reference.

Notes:

- Depending on the specific type, the Ethernet card might look different from the illustration in this topic.
- Use any documentation that comes with the Ethernet card and follow those instructions in addition to the instructions in this topic.

To remove an Ethernet card, do the following:

1. Remove all media from the drives and turn off all attached devices and the server. Then, disconnect all power cords from electrical outlets and disconnect all cables that are connected to the server.
2. If the server is installed in a rack cabinet, remove the server from the rack cabinet and place it on a flat, clean, and static-protective surface. See the *Rack Installation Instructions* that comes with the server.
3. Remove the server cover. See “Removing the server cover” on page 87.
4. Remove the riser card assembly 2 and lay it upside down on a flat, clean, and static-protective surface. See “Replacing the riser card assembly 2” on page 174.

Note: Usually Ethernet cards are installed on the riser card assembly 2. An Ethernet card also might be installed in any PCI Express card slot that supports it. See “Rear view of the server” on page 29 to identify the PCI Express card slots of your server.

5. Locate the Ethernet card you want to remove. Then, grasp the Ethernet card by its edges and carefully pull it out of the PCI Express card slot on the riser card assembly.

Note: The Ethernet card might fit tightly into the PCI Express card slot. If necessary, alternate moving each side of the Ethernet card a small and equal amount until it is removed from the slot.

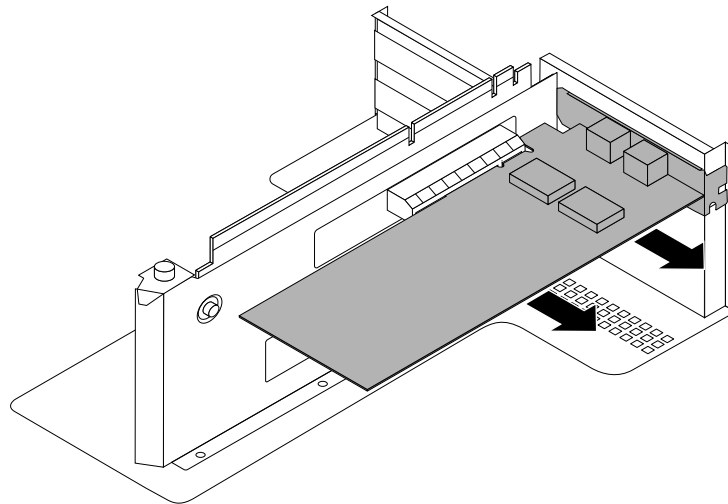


Figure 78. Removing an Ethernet card

6. Install a new Ethernet card to replace the old one or install a PCI card slot bracket to cover the place. See “Installing an Ethernet card” on page 118.
7. Reinstall the riser card assembly 2. See “Replacing the riser card assembly 2” on page 174.

8. If you are instructed to return the old Ethernet card, follow all packaging instructions and use any packaging materials that are supplied to you for shipping.

What to do next:

- To work with another piece of hardware, go to the appropriate section.
- To complete the removal procedure, go to “Completing the parts replacement” on page 195.

Installing or removing the ThinkServer RAID 300 Upgrade Key for Advanced RAID

This topic provides instructions on how to install or remove the ThinkServer RAID 300 Upgrade Key for Advanced RAID (hereinafter referred to as the TR 300 Key).

The TR 300 Key expands the capability of the system board by activating RAID 5 for the ThinkServer RAID 300 (also known as onboard SAS software RAID). You can purchase a TR 300 Key from Lenovo.

Installing the TR 300 Key

Attention: Do not open your server or attempt any repair before reading and understanding “Safety information” on page iii and “Guidelines” on page 85.

This topic provides instructions on how to install the TR 300 Key.

Before you begin, print all the related instructions or ensure that you can view the PDF version on another computer for reference.

Notes:

- Use any documentation that comes with the TR 300 Key and follow those instructions in addition to the instructions in this topic.
- Depending on the model, your server might look slightly different from the illustration in this topic.

To install the TR 300 Key, do the following:

1. Remove all media from the drives and turn off all attached devices and the server. Then, disconnect all power cords from electrical outlets and disconnect all cables that are connected to the server.
2. If the server is installed in a rack cabinet, remove the server from the rack cabinet and place it on a flat, clean, and static-protective surface. See the *Rack Installation Instructions* that comes with the server.
3. Remove the server cover. See “Removing the server cover” on page 87.
4. Locate the iButton socket on the system board. See “System board components” on page 52. If there is any PCI Express card installed on the riser card assembly 1, it might block your access to the iButton socket on the system board. In this case, you need to remove the cooling shroud and then carefully lift the riser card assembly 1 up so that you can access the iButton socket. You do not need to disconnect any cables from the riser card assembly 1 or completely remove the riser card assembly 1.
5. Touch the static-protective package that contains the TR 300 Key to any unpainted surface on the outside of the server. Then, take the TR 300 Key out of the package.

6. Insert one side of the TR 300 Key under one of the retaining clips on the iButton socket. Then, carefully press the other side of the TR 300 Key straight down until it snaps into position and is secured by the two retaining clips on the iButton socket.

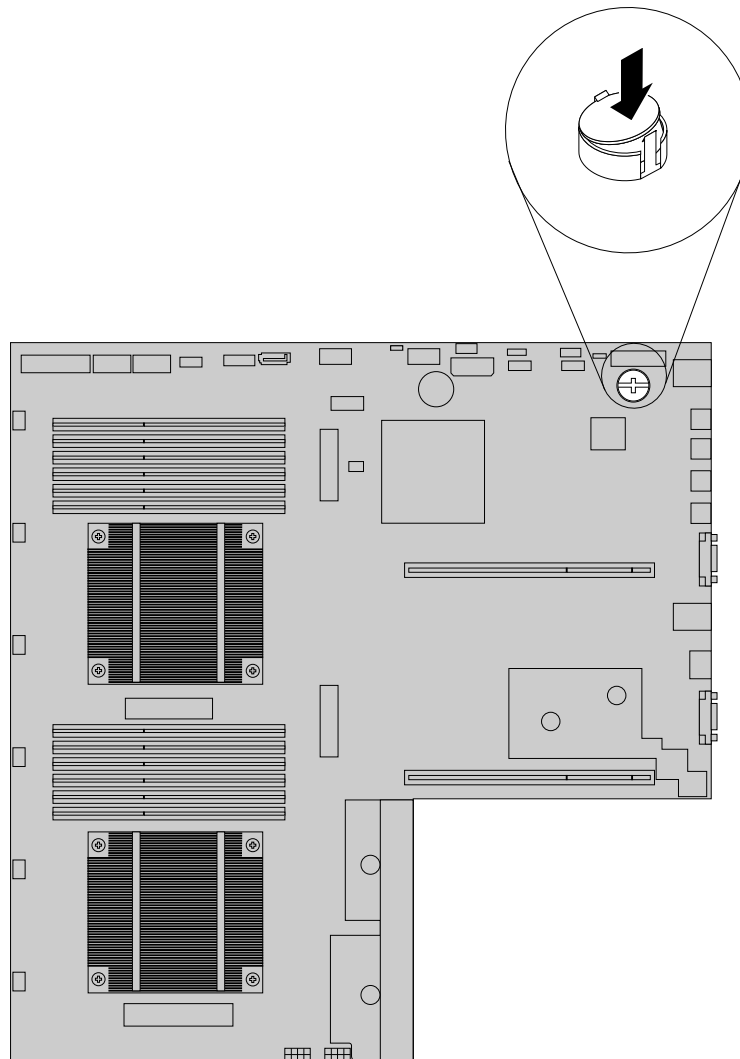


Figure 79. Installing the TR 300 Key

7. If you have lifted the riser card assembly 1, reinstall it into the chassis. See “Replacing the riser card assembly 1” on page 172.

What to do next:

- To work with another piece of hardware, go to the appropriate section.
- To complete the installation, go to “Completing the parts replacement” on page 195. Then, the onboard SAS software RAID 5 is available for your server if your server has the required number of hard disk drives installed. To configure RAID, see “Configuring RAID” on page 74.

Removing the TR 300 Key

Attention: Do not open your server or attempt any repair before reading and understanding “Safety information” on page iii and “Guidelines” on page 85.

This topic provides instructions on how to remove the TR 300 Key if your server has one installed on the system board.

Before you begin, print all the related instructions or ensure that you can view the PDF version on another computer for reference.

Notes:

- If you remove the TR 300 Key, the onboard SAS software RAID 5 will be disabled.
- Use any documentation that comes with the TR 300 Key and follow those instructions in addition to the instructions in this topic.
- Depending on the model, your server might look slightly different from the illustration in this topic.

To remove the TR 300 Key, do the following:

1. Remove all media from the drives and turn off all attached devices and the server. Then, disconnect all power cords from electrical outlets and disconnect all cables that are connected to the server.
2. If the server is installed in a rack cabinet, remove the server from the rack cabinet and place it on a flat, clean, and static-protective surface. See the *Rack Installation Instructions* that comes with the server.
3. Remove the server cover. See “Removing the server cover” on page 87.
4. Locate the iButton socket on the system board. See “System board components” on page 52. If there is any PCI Express card installed on the riser card assembly 1, it might block your access to the iButton socket on the system board. In this case, you need to remove the cooling shroud and then carefully lift the riser card assembly 1 up so that you can access the iButton socket. You do not need to disconnect any cables from the riser card assembly 1 or completely remove the riser card assembly 1.

5. Open the retaining clip **1** on the iButton socket to release the TR 300 Key and then completely remove the TR 300 Key from the iButton socket.

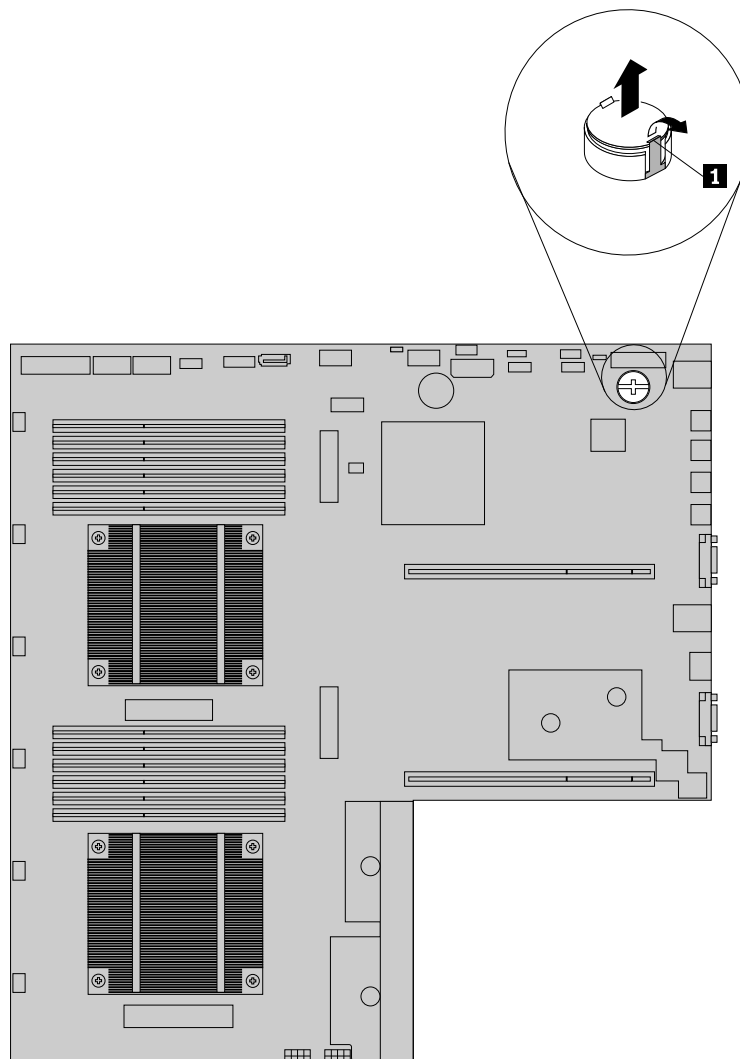


Figure 80. Removing the TR 300 Key

6. If you have lifted the riser card assembly 1, reinstall it into the chassis. See “Replacing the riser card assembly 1” on page 172.
7. If you are instructed to return the old TR 300 Key, follow all packaging instructions and use any packaging materials that are supplied to you for shipping.

What to do next:

- To work with another piece of hardware, go to the appropriate section.
- To complete the removal procedure, go to “Completing the parts replacement” on page 195. As the onboard SAS software RAID 5 is not available without the TR 300 Key, you might need to reconfigure RAID for your server. See “Configuring RAID” on page 74.

Installing or removing the ThinkServer Management Module Premium

This topic provides instructions on how to install or remove the ThinkServer Management Module Premium (TMM Premium).

The TMM Premium offers convenient, remote KVM access and control through the LAN or Internet. You can use the TMM Premium to gain location-independent remote access to respond to critical incidents and to undertake necessary maintenance. Therefore, working as an integrated solution in your server, the TMM Premium provides an increased level of manageability over the basic server management available. You can purchase a TMM Premium from Lenovo.

Installing the TMM Premium

Attention: Do not open your server or attempt any repair before reading and understanding “Safety information” on page iii and “Guidelines” on page 85.

This topic provides instructions on how to install the TMM Premium.

Before you begin, print all the related instructions or ensure that you can view the PDF version on another computer for reference.

Notes:

- Use any documentation that comes with the TMM Premium and follow those instructions in addition to the instructions in this topic.
- Depending on the model, your server might look slightly different from the illustration in this topic.

To install the TMM Premium, do the following:

1. Remove all media from the drives and turn off all attached devices and the server. Then, disconnect all power cords from electrical outlets and disconnect all cables that are connected to the server.
2. If the server is installed in a rack cabinet, remove the server from the rack cabinet and place it on a flat, clean, and static-protective surface. See the *Rack Installation Instructions* that comes with the server.
3. Remove the server cover. See “Removing the server cover” on page 87.
4. Touch the static-protective package that contains the TMM Premium to any unpainted surface on the outside of the server. Then, take the TMM Premium out of the package.

5. Locate the TMM Premium connector on the system board and then insert the TMM Premium into the TMM Premium connector.

Note: Ensure that the TMM Premium is securely seated on the system board.

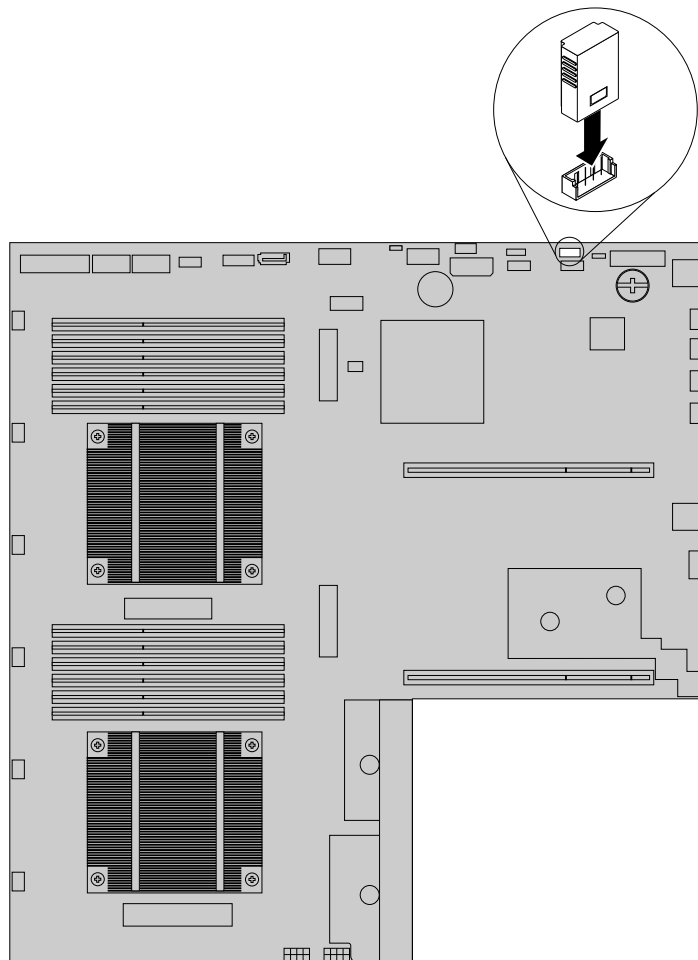


Figure 81. Installing the TMM Premium

What to do next:

- To work with another piece of hardware, go to the appropriate section.
- To complete the installation, go to “Completing the parts replacement” on page 195. Then, refer to the *ThinkServer Management Module User Guide*, which is available for download at <http://www.lenovo.com/UserManuals>, for more information about server remote management.

Removing the TMM Premium

Attention: Do not open your server or attempt any repair before reading and understanding “Safety information” on page iii and “Guidelines” on page 85.

This topic provides instructions on how to remove the TMM Premium if your server has one installed.

Before you begin, print all the related instructions or ensure that you can view the PDF version on another computer for reference.

Notes:

- If you remove the TMM Premium, the iKVM function for server remote management will be unavailable.
- Use any documentation that comes with the TMM Premium and follow those instructions in addition to the instructions in this topic.
- Depending on the model, your server might look slightly different from the illustration in this topic.

To remove the TMM Premium, do the following:

1. Remove all media from the drives and turn off all attached devices and the server. Then, disconnect all power cords from electrical outlets and disconnect all cables that are connected to the server.
2. If the server is installed in a rack cabinet, remove the server from the rack cabinet and place it on a flat, clean, and static-protective surface. See the *Rack Installation Instructions* that comes with the server.
3. Remove the server cover. See “Removing the server cover” on page 87.
4. Locate the TMM Premium connector on the system board and then lift the TMM Premium straight up to remove it from the connector.

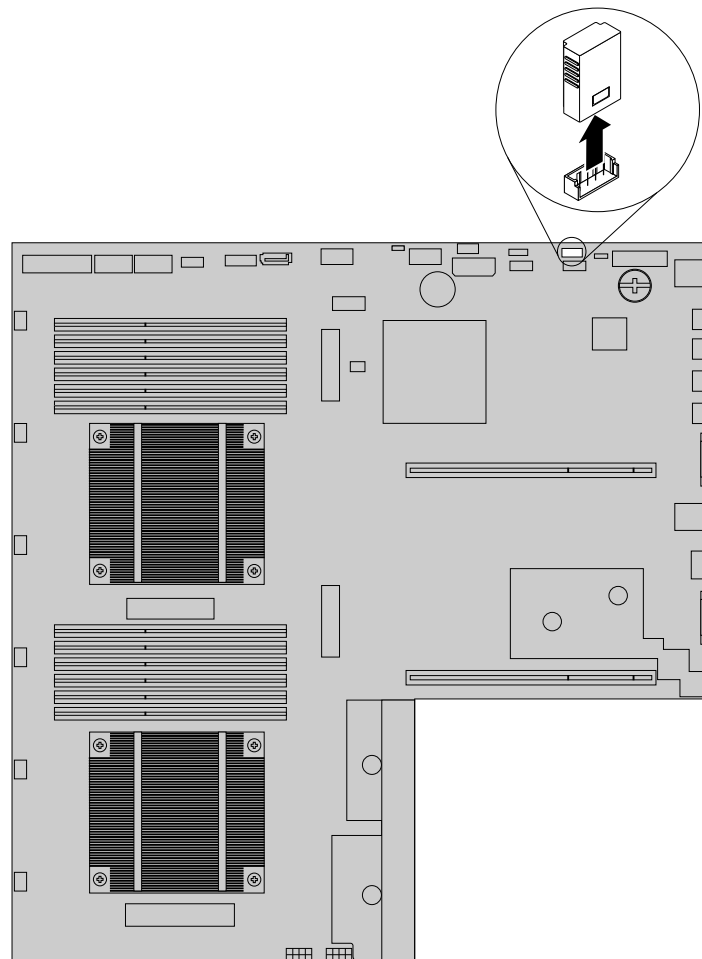


Figure 82. Removing the TMM Premium

5. If you are instructed to return the old TMM Premium, follow all packaging instructions and use any packaging materials that are supplied to you for shipping.

What to do next:

- To work with another piece of hardware, go to the appropriate section.
- To complete the removal procedure, go to “Completing the parts replacement” on page 195.

Installing or removing the ThinkServer Trusted Platform Module

This topic provides instructions on how to install or remove the ThinkServer Trusted Platform Module (TPM).

The TPM is a security chip designed by the Trusted Computing Group (TCG) to provide a hardware method of data encryption. It stores passwords, encryption keys, and digital certificates to help provide security solutions and protect the computer. You can purchase a TPM option from Lenovo.

Installing the TPM

Attention: Do not open your server or attempt any repair before reading and understanding “Safety information” on page iii and “Guidelines” on page 85.

This topic provides instructions on how to install the TPM.

Before you begin, print all the related instructions or ensure that you can view the PDF version on another computer for reference.

Notes:

- Use any documentation that comes with the TPM and follow those instructions in addition to the instructions in this topic.
- Depending on the model, your server might look slightly different from the illustration in this topic.

To install the TPM, do the following:

1. Remove all media from the drives and turn off all attached devices and the server. Then, disconnect all power cords from electrical outlets and disconnect all cables that are connected to the server.
2. If the server is installed in a rack cabinet, remove the server from the rack cabinet and place it on a flat, clean, and static-protective surface. See the *Rack Installation Instructions* that comes with the server.
3. Remove the server cover. See “Removing the server cover” on page 87.
4. Locate the TPM connector on the system board. See “System board components” on page 52. If there is any PCI Express card installed on the riser card assembly 1, it might block your access to the TPM connector on the system board. In this case, you need to remove the cooling shroud and then carefully lift the riser card assembly 1 up so that you can access the TPM connector. You do not need to disconnect any cables from the riser card assembly 1 or completely remove the riser card assembly 1.
5. Touch the static-protective package that contains the TPM to any unpainted surface on the outside of the server. Then, take the TPM out of the package.

Note: Carefully handle the TPM by its edges.

6. Insert the TPM into the TPM connector on the system board.

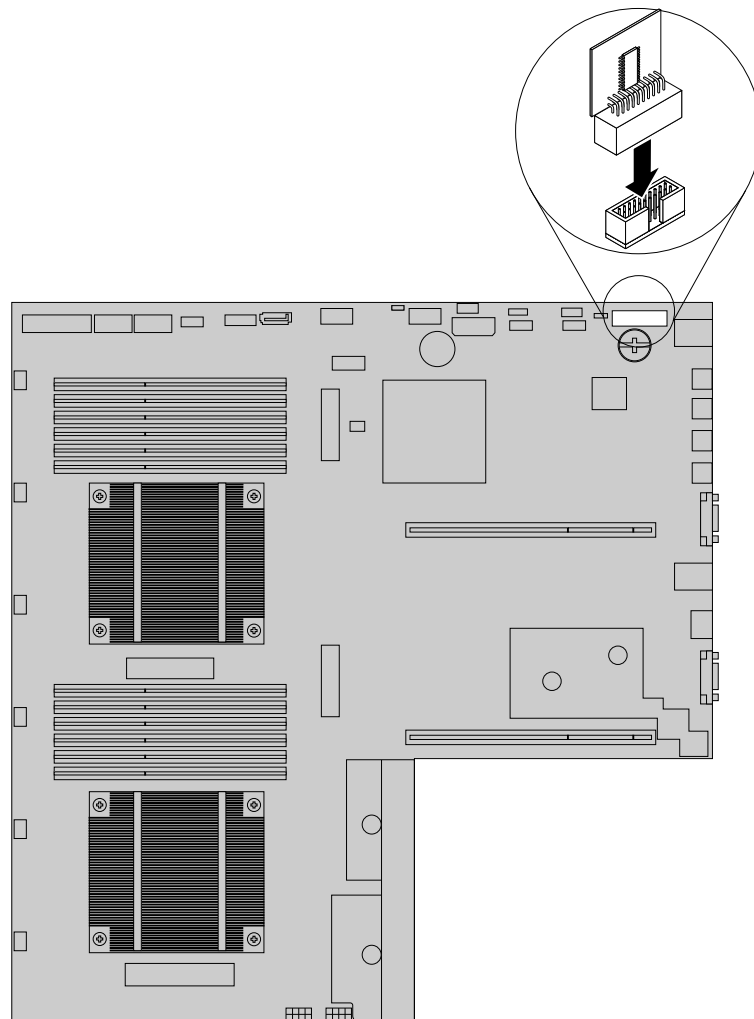


Figure 83. Installing the TPM

7. If you have lifted the riser card assembly 1, reinstall it into the chassis. See “Replacing the riser card assembly 1” on page 172.

What to do next:

- To work with another piece of hardware, go to the appropriate section.
- To complete the installation, go to “Completing the parts replacement” on page 195. Then, you can configure the TPM function in the Setup Utility program. See “Configuring the TPM function” on page 68.

Removing the TPM

Attention: Do not open your server or attempt any repair before reading and understanding “Safety information” on page iii and “Guidelines” on page 85.

This topic provides instructions on how to remove the TPM if the server has one installed.

Before you begin, print all the related instructions or ensure that you can view the PDF version on another computer for reference.

Notes:

- If you remove the TPM, the TPM function will be unavailable.
- Use any documentation that comes with the TPM and follow those instructions in addition to the instructions in this topic.
- Depending on the model, your server might look slightly different from the illustration in this topic.

To remove the TPM, do the following:

1. Remove all media from the drives and turn off all attached devices and the server. Then, disconnect all power cords from electrical outlets and disconnect all cables that are connected to the server.
2. If the server is installed in a rack cabinet, remove the server from the rack cabinet and place it on a flat, clean, and static-protective surface. See the *Rack Installation Instructions* that comes with the server.
3. Remove the server cover. See “Removing the server cover” on page 87.
4. Locate the TPM connector on the system board. See “System board components” on page 52. If there is any PCI Express card installed on the riser card assembly 1, it might block your access to the TPM connector on the system board. In this case, you need to remove the cooling shroud and then carefully lift the riser card assembly 1 up so that you can access the TPM connector. You do not need to disconnect any cables from the riser card assembly 1 or completely remove the riser card assembly 1.

5. Remove the TPM installed on the TPM connector by lifting it straight up.

Note: Carefully handle the TPM by its edges.

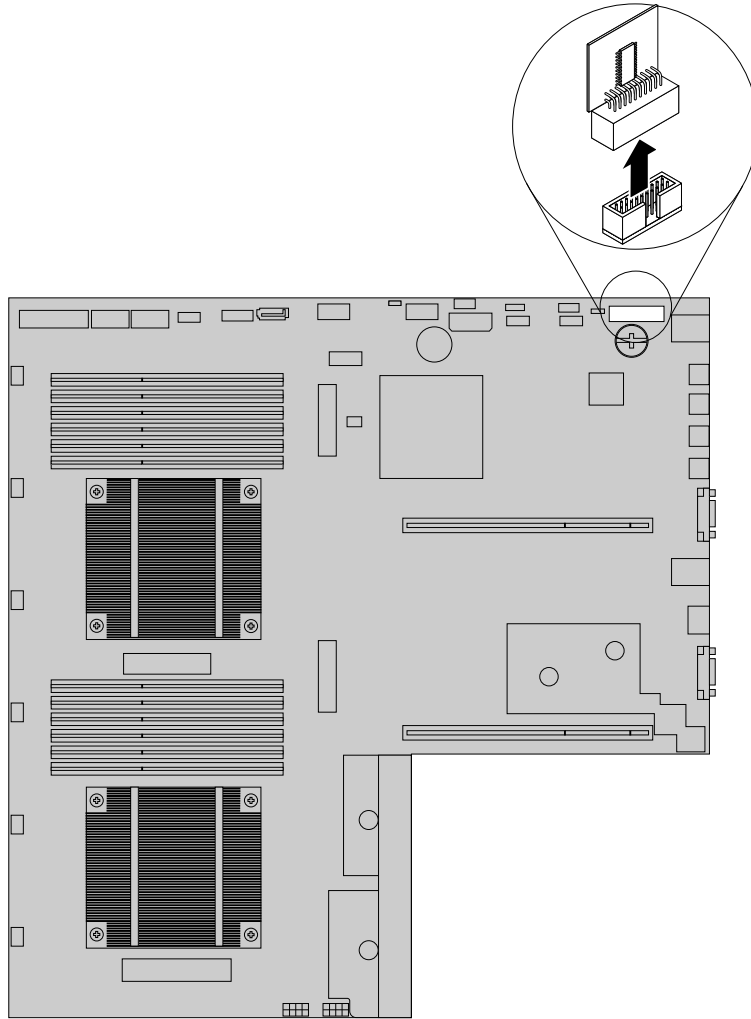


Figure 84. Removing the TPM

6. If you have lifted the riser card assembly 1, reinstall it into the chassis. See “Replacing the riser card assembly 1” on page 172.
7. If you are instructed to return the old TPM, follow all packaging instructions and use any packaging materials that are supplied to you for shipping.

What to do next:

- To work with another piece of hardware, go to the appropriate section.
- To complete the removal procedure, go to “Completing the parts replacement” on page 195.

Installing or replacing a hot-swap redundant power supply

Attention: Do not open your server or attempt any repair before reading and understanding “Safety information” on page iii and “Guidelines” on page 85.

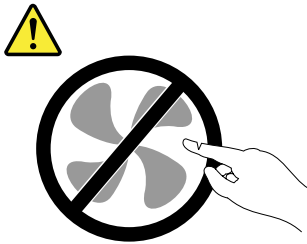
This topic provides instructions on how to install or replace a hot-swap redundant power supply.

The hot-swap redundant power supply adds a second source of power to the server. When the server is populated with two hot-swap redundant power supplies, it can withstand a power loss from either power supply. This helps you avoid significant interruption to the operation of the server when a power supply fails. You can replace the failing hot-swap redundant power supply without turning off the server.

Some server models come with only one power supply. You can purchase a hot-swap redundant power supply option from Lenovo.

CAUTION:

Hazardous moving parts. Keep fingers and other body parts away.



CAUTION:

Never remove the cover on a power supply or any part that has the following label attached.



Hazardous voltage, current, and energy levels are present inside any component that has this label attached. There are no serviceable parts inside these components. If you suspect a problem with one of these parts, contact a service technician.

Before you begin, print all the related instructions or ensure that you can view the PDF version on another computer for reference.

Notes:

- To maintain the EMI integrity and cooling of the server, install a new hot-swap redundant power supply as soon as you remove the failing one or cover the other bay with a shield if you use one power supply to provide power.
- Your hot-swap redundant power supply might look slightly different from the illustrations in this topic.
- Use any documentation that comes with the new hot-swap redundant power supply and follow those instructions in addition to the instructions in this topic.

To install or replace a hot-swap redundant power supply, do the following:

1. Do one of the following:

- If you are installing a hot-swap redundant power supply, locate the bay for the power supply in the rear of your server. Insert a finger into the hole in the metal shield that protects the bay, press the tab **1** in the direction as shown, and then pull the shield out of the chassis. Store the shield in case you later remove the power supply and need the shield to cover the bay.

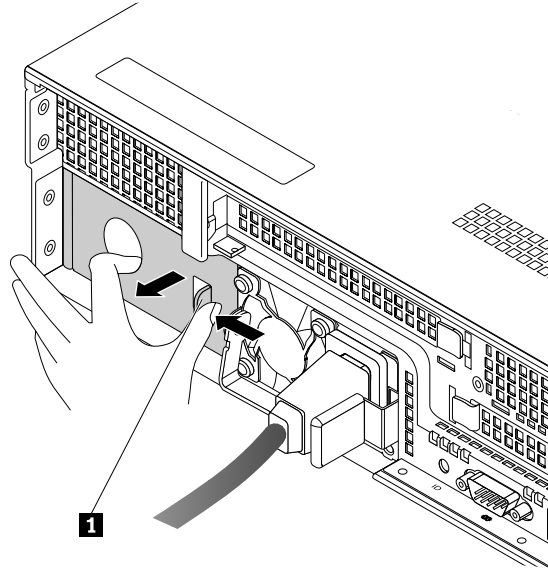


Figure 85. Removing the protective shield for the power supply bay

- If you are replacing a hot-swap redundant power supply, locate the failing power supply in the rear of your server and then disconnect the power cord from the failing hot-swap redundant power supply.

Note: On each hot-swap redundant power supply, there is a status LED near the power cord connector. When the LED is lit in green, it indicates that the hot-swap redundant power supply is working correctly. When the LED is lit in amber, it indicates that the hot-swap redundant power supply is likely to fail or has failed. If your server comes with an Intelligent Diagnostics Module Premium, you also can view the LEDs on the panel of the module to locate the failing power supply. See “Diagnostic module” on page 24.

2. If you are replacing a hot-swap redundant power supply, press the release tab **1** in the direction as shown and carefully pull the handle **2** at the same time to slide the failing hot-swap redundant power supply out of the chassis.

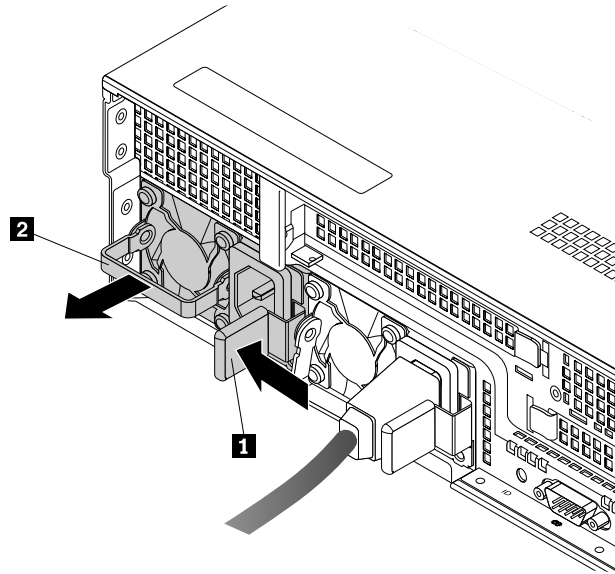


Figure 86. Removing a hot-swap redundant power supply

3. Touch the static-protective package that contains the new hot-swap redundant power supply to any unpainted surface on the outside of the server. Then, remove the new hot-swap redundant power supply from the package.
4. Note the orientation of the new hot-swap redundant power supply and then slide it into the chassis until it snaps into position.

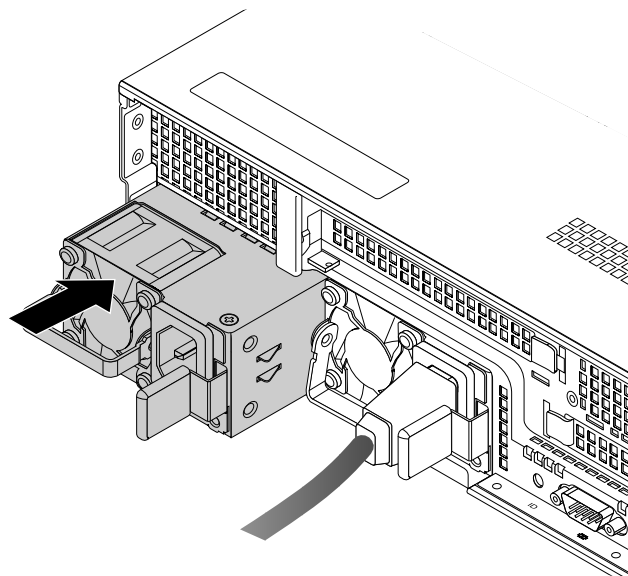


Figure 87. Installing a hot-swap redundant power supply

5. Connect the power cord to the power cord connector on the new hot-swap redundant power supply. Then, check the status LED near the power cord connector. When the LED is lit in green, it indicates that the hot-swap redundant power supply is working correctly. When the LED is lit in amber, it indicates that the hot-swap redundant power supply is likely to fail or has failed. Reinstall the new hot-swap redundant power supply to see if the problem can be solved. If the new hot-swap redundant power supply still does not work correctly, contact your place of purchase or a service representative for help.
6. If you are instructed to return the old hot-swap redundant power supply, follow all packaging instructions and use any packaging materials that are supplied to you for shipping.

Installing or replacing a heat sink

Attention: Do not open your server or attempt any repair before reading and understanding “Safety information” on page iii and “Guidelines” on page 85.

This topic provides instructions on how to install or replace a heat sink.

CAUTION:



The heat sink might be very hot. Turn off the server and wait three to five minutes to let the server cool before removing the server cover.

Before you begin, print all the related instructions or ensure that you can view the PDF version on another computer for reference.

Note: Depending on the model, your server might look slightly different from the illustrations in this topic.

To install or replace a heat sink, do the following:

1. Remove all media from the drives and turn off all attached devices and the server. Then, disconnect all power cords from electrical outlets and disconnect all cables that are connected to the server.
2. If the server is installed in a rack cabinet, remove the server from the rack cabinet and place it on a flat, clean, and static-protective surface. See the *Rack Installation Instructions* that comes with the server.
3. Remove the server cover. See “Removing the server cover” on page 87.
4. Remove the cooling shroud. See “Removing and reinstalling the cooling shroud” on page 95.
5. Locate the heat sink or the place for installing the second heat sink. See “Server components” on page 34.

6. If you are replacing a heat sink, remove the four screws that secure the heat sink to the system board. It is recommended that you carefully remove the four screws from the system board using the following method to avoid any possible damage to the system board.
 - a. Partially remove screw **1**, then completely remove screw **3**, and then return to screw **1** and completely remove it.
 - b. Partially remove screw **2**, then completely remove screw **4**, and then return to screw **2** and completely remove it.

Note: The four screws are integrated parts of the heat sink. Do not try to remove the four screws from the heat sink.

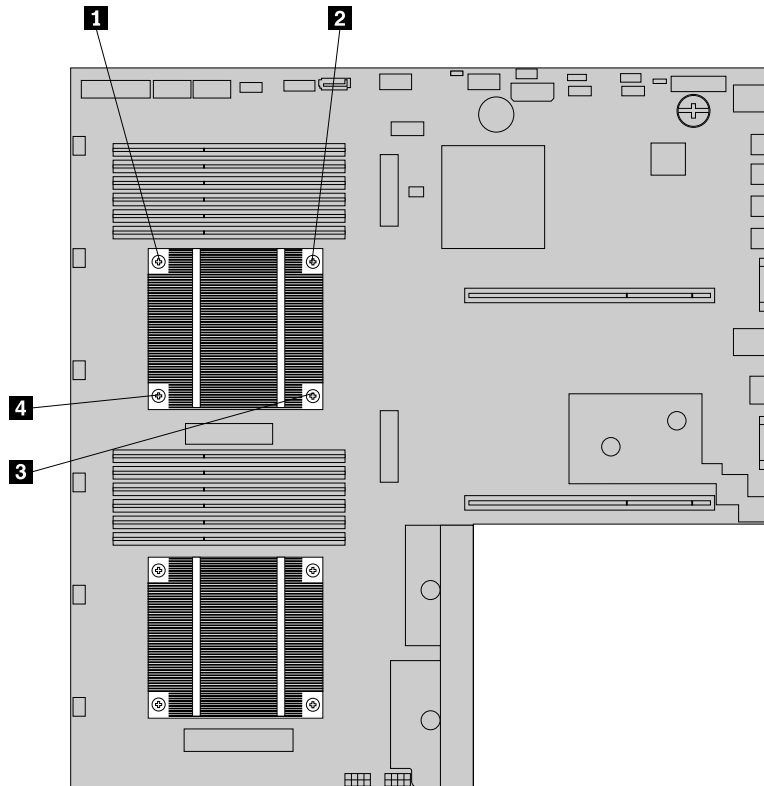


Figure 88. Removing the screws that secure the heat sink

7. Gently twist the heat sink to free it from the microprocessor and then lift the heat sink off the system board.
8. Lay aside the old heat sink. Touch the static-protective package that contains the new heat sink to any unpainted surface on the outside of the server. Then, remove the new heat sink from the package.

Notes:

- If you are replacing a heat sink, you need to use a cleaning pad that might come with the new heat sink to wipe the thermal grease from the top of the microprocessor before installing the new heat sink. Dispose of the cleaning pad after all thermal grease is removed from the microprocessor.
 - When handling the heat sink, do not touch the thermal grease on the bottom of it.
9. Remove any protective cover that protects the thermal grease on the bottom of the new heat sink. Then, place the new heat sink on the system board so that the four screws on the new heat sink are aligned with the corresponding mounting studs on the system board.

10. Install the four screws to secure the new heat sink on the system board. It is recommended that you carefully install the four screws using the following method to avoid any possible damage to the system board.
 - a. Partially tighten screw **1**, then firmly tighten screw **3**, and then return to screw **1** and firmly tighten it. Do not over-tighten the screws.
 - b. Partially tighten screw **2**, then firmly tighten screw **4**, and then return to screw **2** and firmly tighten it. Do not over-tighten the screws.

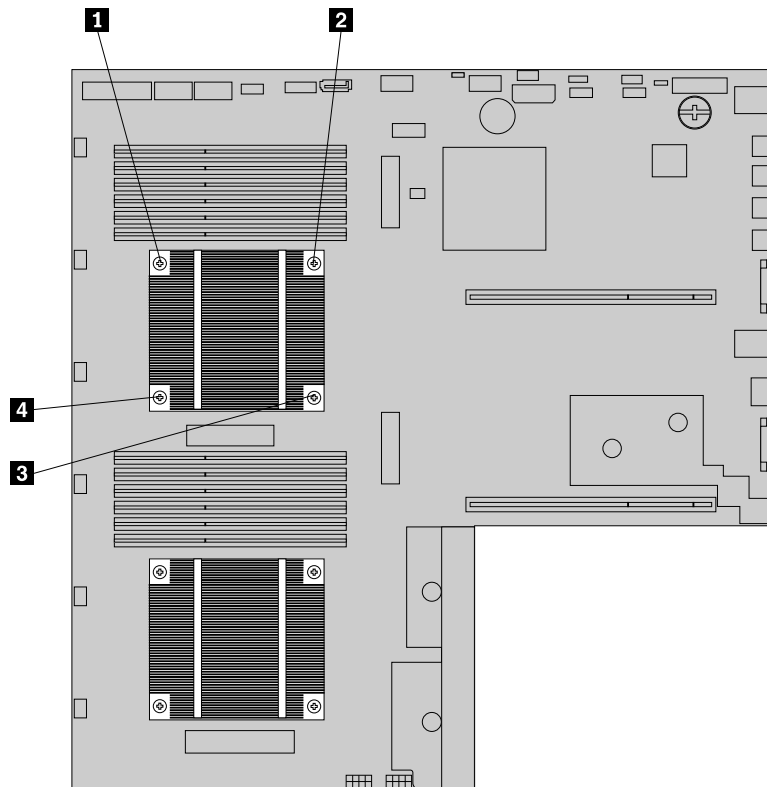


Figure 89. Installing the screws to secure the heat sink

11. If you are instructed to return the old heat sink, follow all packaging instructions and use any packaging materials that are supplied to you for shipping.

What to do next:

- To work with another piece of hardware, go to the appropriate section.
- To complete the installation or replacement, go to “Completing the parts replacement” on page 195.

Installing or replacing the microprocessor

This topic provides instructions on how to install or replace the microprocessor.

Installing the second microprocessor

Attention: Do not open your server or attempt any repair before reading and understanding “Safety information” on page iii and “Guidelines” on page 85.

This topic provides instructions on how to install the second microprocessor.

Depending on the model, your server might come with one or two microprocessors. For server models with one microprocessor, the microprocessor is installed in the microprocessor socket 1 and the microprocessor socket 2 is protected by a plastic socket cover. You can purchase a microprocessor option kit from Lenovo and install the second microprocessor to expand system capabilities.

CAUTION:



Turn off the server and wait three to five minutes to let the server cool before removing the server cover.

Before you begin, print all the related instructions or ensure that you can view the PDF version on another computer for reference.

Notes:

- Ensure that you install the correct type of microprocessor option your server supports. See “Features” on page 8. When two microprocessors are installed, both must have the same core voltage and core speed.
- Use any documentation that comes with the microprocessor option kit and follow those instructions in addition to the instructions in this topic.
- Your microprocessor, socket, and socket cover might look slightly different from the illustrations in this topic.

To install the second microprocessor, do the following:

1. Remove all media from the drives and turn off all attached devices and the server. Then, disconnect all power cords from electrical outlets and disconnect all cables that are connected to the server.
2. If the server is installed in a rack cabinet, remove the server from the rack cabinet and place it on a flat, clean, and static-protective surface. See the *Rack Installation Instructions* that comes with the server.
3. Remove the server cover. See “Removing the server cover” on page 87.
4. Remove the cooling shroud. See “Removing and reinstalling the cooling shroud” on page 95.
5. Locate the microprocessor socket 2 on the system board. See “System board components” on page 52.

6. Gently press down the small handle on the microprocessor socket and then pull the handle slightly outward to release it from the secured position. Then, pivot the handle upward to the fully open position. Then, gently press the microprocessor retainer to open it.

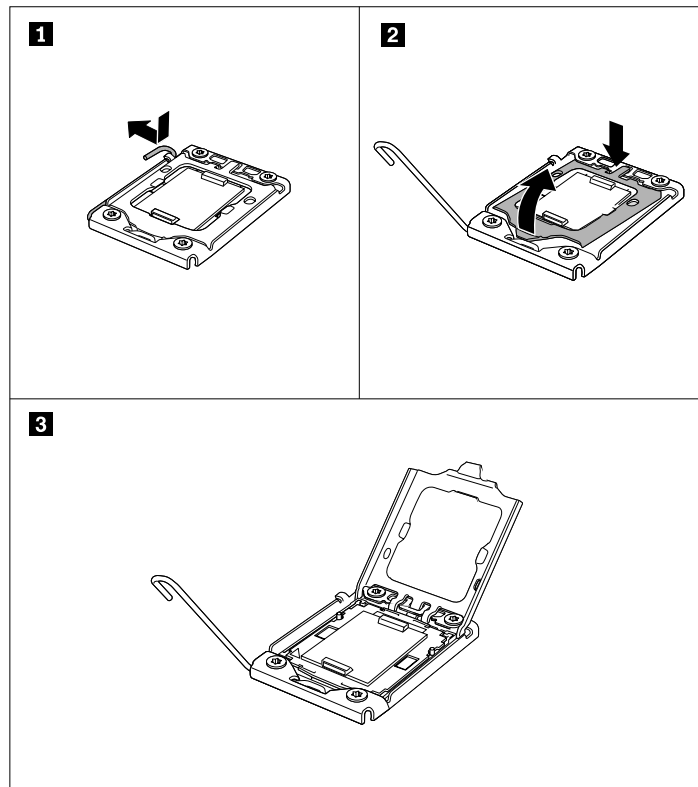


Figure 90. Opening the small handle and microprocessor retainer

7. Ensure that the small handle and the microprocessor retainer are in the fully open position. Then, remove the plastic microprocessor socket cover. Store the microprocessor socket cover in case you later remove the microprocessor and need the socket cover to protect the pins on the socket.

Note: Do not drop anything onto the microprocessor socket while it is exposed. The socket pins must be kept as clean as possible.

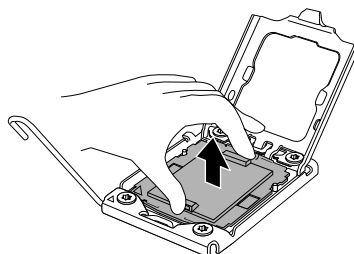


Figure 91. Removing the microprocessor socket cover

8. Touch the static-protective package that contains the new microprocessor to any unpainted surface on the outside of the server. Then, remove the new microprocessor from the package.

- Remove the protective cover that protects the gold contacts on the bottom of the new microprocessor. Do not touch the pins on the microprocessor socket and the gold contacts on the bottom of the new microprocessor.

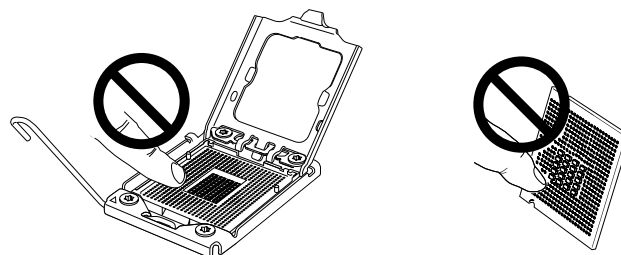


Figure 92. Do not touch the pins

- Note the orientation of the new microprocessor. Hold the new microprocessor by its edges and align the notches **1** on it with the tabs **2** in the microprocessor socket. Then, carefully lower the new microprocessor straight down into the microprocessor socket.

Note: The small triangle **3** on one corner of the new microprocessor is the microprocessor orientation indicator. The new microprocessor is in the correct orientation when this indicator faces the beveled corner **4** of the microprocessor socket.

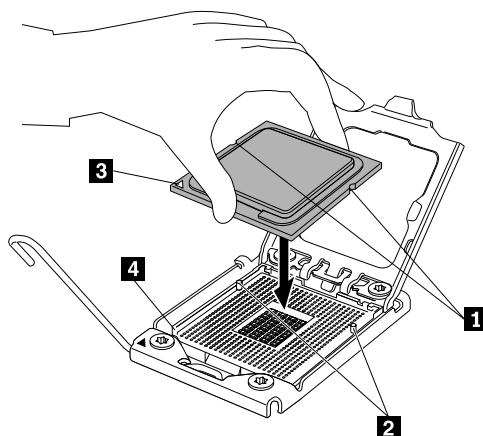


Figure 93. Installing the microprocessor

11. Carefully close the microprocessor retainer. Then, carefully close the small handle to lock the retainer into position and secure the new microprocessor in the socket.

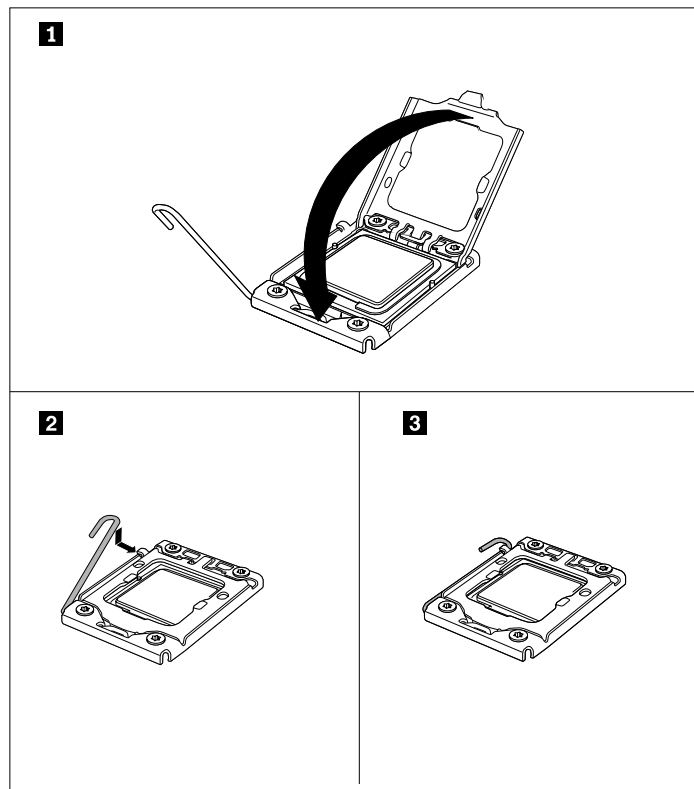


Figure 94. Securing the microprocessor in the socket

12. Install the new heat sink that comes with the microprocessor option kit. See “Installing or replacing a heat sink” on page 137.

What to do next:

- To work with another piece of hardware, go to the appropriate section.
- To complete the installation, go to “Completing the parts replacement” on page 195.

Replacing the microprocessor

Attention: Do not open your server or attempt any repair before reading and understanding “Safety information” on page iii and “Guidelines” on page 85.

This topic provides instructions on how to replace the microprocessor.

CAUTION:



The heat sink and microprocessor might be very hot. Turn off the server and wait three to five minutes to let the server cool before removing the server cover.

Before you begin, print all the related instructions or ensure that you can view the PDF version on another computer for reference.

Notes:

- Ensure that the new microprocessor is the correct type your server supports. See “Features” on page 8. When two microprocessors are installed, both must have the same core voltage and core speed.
- Use any documentation that comes with the microprocessor option kit and follow those instructions in addition to the instructions in this topic.
- Your microprocessor, socket, and socket cover might look slightly different from the illustrations in this topic.

To replace the microprocessor, do the following:

1. Remove all media from the drives and turn off all attached devices and the server. Then, disconnect all power cords from electrical outlets and disconnect all cables that are connected to the server.
2. If the server is installed in a rack cabinet, remove the server from the rack cabinet and place it on a flat, clean, and static-protective surface. See the *Rack Installation Instructions* that comes with the server.
3. Remove the server cover. See “Removing the server cover” on page 87.
4. Remove the cooling shroud. See “Removing and reinstalling the cooling shroud” on page 95.
5. Remove the heat sink. See “Installing or replacing a heat sink” on page 137.
6. Gently press down the small handle on the microprocessor socket and then pull the handle slightly outward to release it from the secured position. Then, pivot the handle upward to the fully open position. Then, gently press the microprocessor retainer to open it.

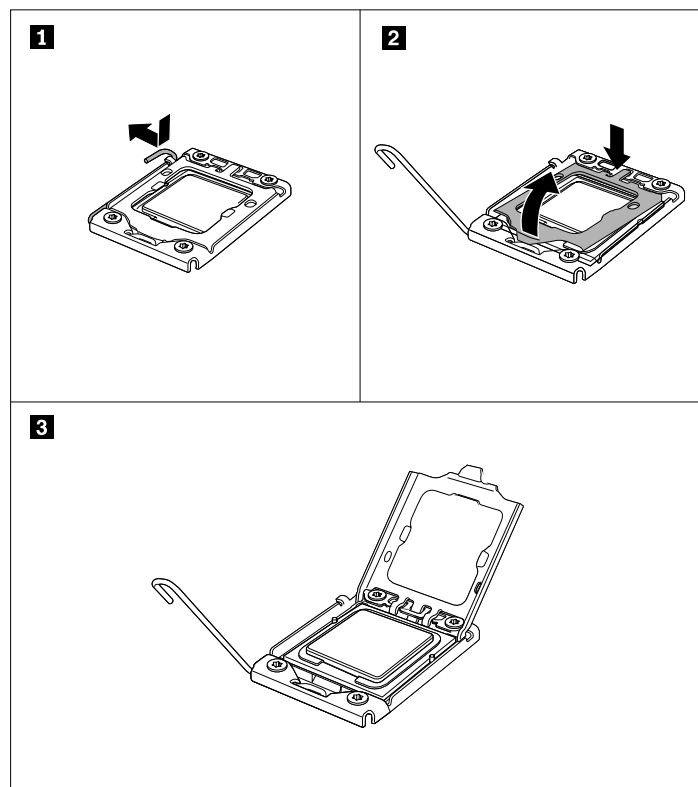


Figure 95. Opening the small handle and microprocessor retainer

7. Ensure that the small handle and the microprocessor retainer are in the fully open position. Touch only the edges of the microprocessor and carefully lift it straight up and out of the microprocessor socket. Place the old microprocessor on a static-protective surface.

Notes:

- Do not touch the gold contacts on the bottom of the microprocessor.
- Do not drop anything onto the microprocessor socket while it is exposed. The socket pins must be kept as clean as possible.

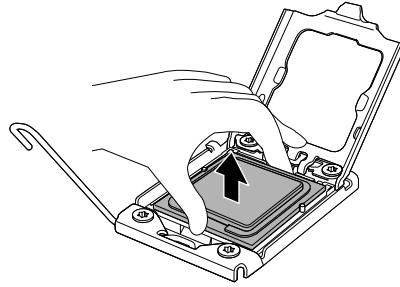


Figure 96. Removing the microprocessor

8. Touch the static-protective package that contains the new microprocessor to any unpainted surface on the outside of the server. Then, remove the new microprocessor from the package.
9. Remove the protective cover that protects the gold contacts on the bottom of the new microprocessor. Do not touch the pins on the microprocessor socket and the gold contacts on the bottom of the new microprocessor.

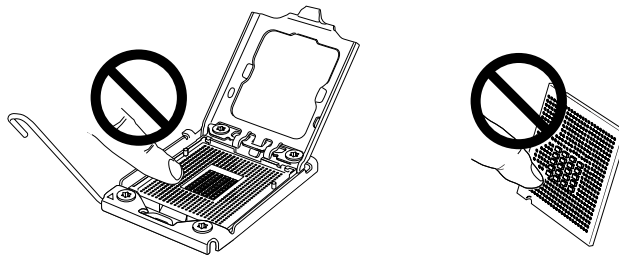


Figure 97. Do not touch the pins

10. Note the orientation of the new microprocessor. Hold the new microprocessor by its edges and align the notches **1** on it with the tabs **2** in the microprocessor socket. Then, carefully lower the new microprocessor straight down into the microprocessor socket.

Note: The small triangle **3** on one corner of the new microprocessor is the microprocessor orientation indicator. The new microprocessor is in the correct orientation when this indicator faces the beveled corner **4** of the microprocessor socket.

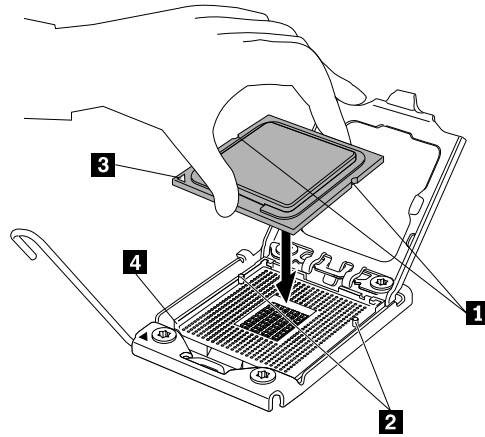


Figure 98. Installing the microprocessor

11. Carefully close the microprocessor retainer. Then, carefully close the small handle to lock the retainer into position and secure the new microprocessor in the socket.

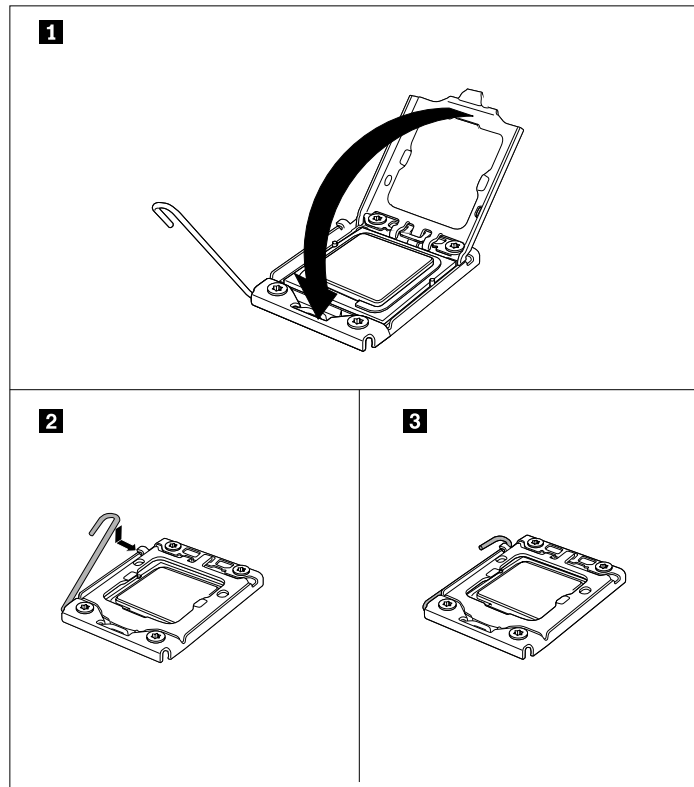


Figure 99. Securing the microprocessor in the socket

12. Reinstall the heat sink. See “Installing or replacing a heat sink” on page 137.
13. If you are instructed to return the old microprocessor, follow all packaging instructions and use any packaging materials that are supplied to you for shipping.

What to do next:

- To work with another piece of hardware, go to the appropriate section.
- To complete the replacement, go to “Completing the parts replacement” on page 195.

Installing or replacing a 2.5-inch solid-state drive

This topic contains the following items:

- “Installing a 2.5-inch solid-state drive into a 3.5-inch hard-disk-drive bay” on page 148
- “Replacing a 2.5-inch solid-state drive from a 3.5-inch hard-disk-drive bay” on page 152

For a list of ThinkServer solid-state drive options, go to:
<http://www.lenovo.com/thinkserver>

You can install or replace a hot-swap solid-state drive without turning off the server, which helps you avoid significant interruption to the operation of the system.

The EMI integrity and cooling of the server are protected by having all drive bays covered or occupied. The number of the installed hard disk drives or solid-state drives in your server varies depending on the server model. The vacant bays are occupied by dummy hard-disk-drive trays. When you install a hot-swap hard disk drive or solid-state drive, save the removed dummy hard-disk-drive tray from the drive bay in case you later remove the hot-swap hard disk drive or solid-state drive and need the dummy tray to cover the place.

Attention: An unoccupied drive bay without any other protection might impact the EMI integrity and cooling of the server, which might result in overheating or component damage. To maintain the EMI integrity and cooling of the server, install a new hot-swap hard disk drive or solid-state drive as soon as you remove the failing one or the dummy tray.

Before you begin, review the following solid-state drive installation rules:

- Follow the order of the hard-disk-drive bays when installing a solid-state drive. See “Server components” on page 34 to locate the hard-disk-drive bays in your server.
- For RAID configuration, the solid-state drives must be the same type with the same capacity if they are within a single RAID array. For more information, see “Configuring RAID” on page 74.
- For solid-state drives with different capacities, install the solid-state drive by following the order of the hard-disk-drive bays as well as the order from the lowest capacity to the highest capacity.

Before you begin, print all the related instructions or ensure that you can view the PDF version on another computer for reference.

Notes:

- Depending on the model, your server might come with 3.5-inch hot-swap hard disk drives or 2.5-inch hot-swap hard disk drives. The illustrations in this topic are based on server models with 3.5-inch hot-swap hard disk drives. For other models, the replacement procedure is similar.
- Depending on the model, your server might look slightly different from the illustrations in this topic.
- Use any documentation that comes with the solid-state drive and follow those instructions in addition to the instructions in this topic.

Installing a 2.5-inch solid-state drive into a 3.5-inch hard-disk-drive bay

Attention: Do not open your server or attempt any repair before reading and understanding “Safety information” on page iii and “Guidelines” on page 85.

This topic provides instructions on how to install a 2.5-inch solid-state drive into a 3.5-inch hard-disk-drive bay.

Note: Ensure that you have a 3.5-inch to 2.5-inch drive adapter and a 3.5-inch drive bracket available before the installation.

Before you begin, print all the related instructions or ensure that you can view the PDF version on another computer for reference.

To install a 2.5-inch solid-state drive into a 3.5-inch hard-disk-drive bay, do the following:

1. Locate the appropriate hard-disk-drive bay. See “Server components” on page 34.

2. Press the release button **1** to open the handle of the dummy hard-disk-drive tray.

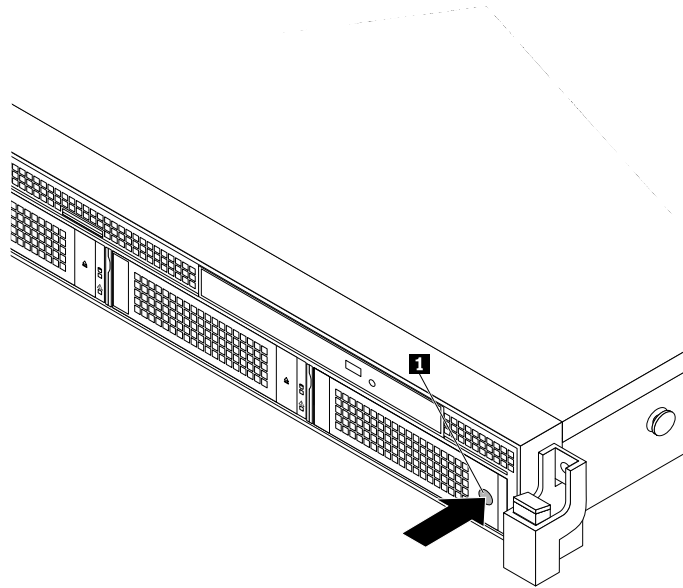


Figure 100. Opening the handle of the dummy hard-disk-drive tray

3. Pull the handle and carefully slide the dummy hard-disk-drive tray out of the front of the chassis.

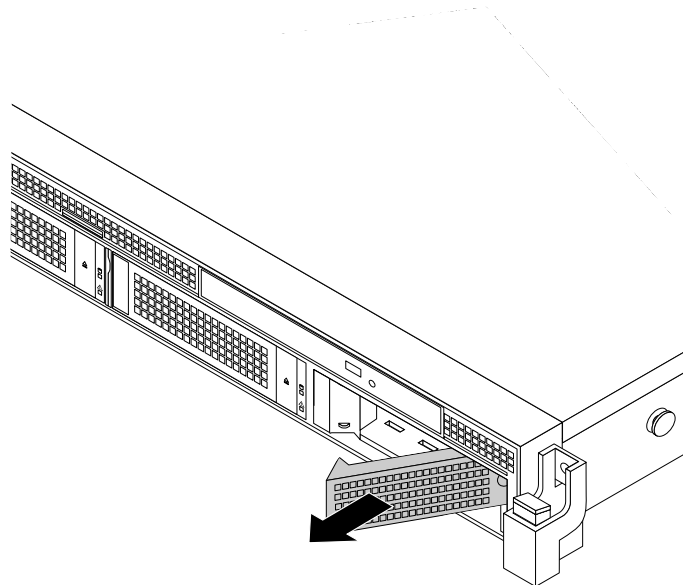


Figure 101. Removing the dummy hard-disk-drive tray

4. Touch the static-protective package that contains the 2.5-inch solid-state drive to any unpainted surface on the outside of the server. Then, take the solid-state drive out of the package.

Note: Do not touch the circuit board on the solid-state drive.

5. Position the 2.5-inch solid-state drive to the 3.5-inch to 2.5-inch drive adapter as shown in the following illustration.

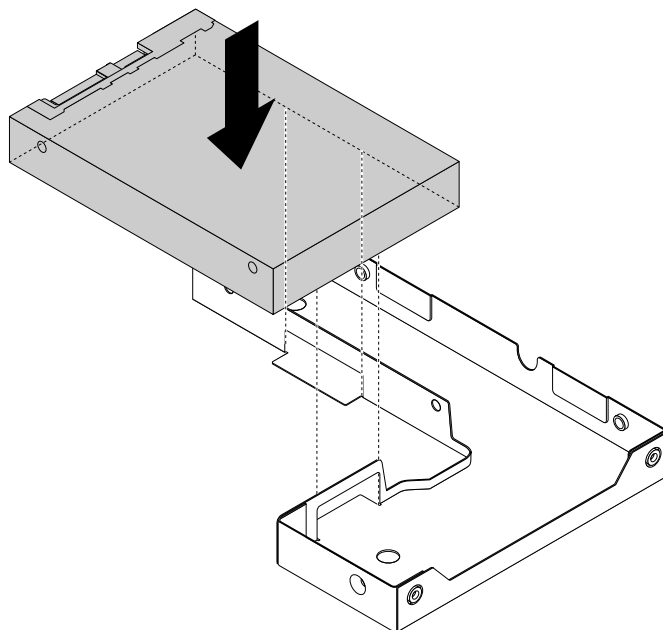


Figure 102. Positioning the 2.5-inch solid-state drive to the drive adapter

6. Align the two screw holes in the solid-state drive with the corresponding holes in the drive adapter. Then, install the two screws to secure the solid-state drive to the drive adapter.

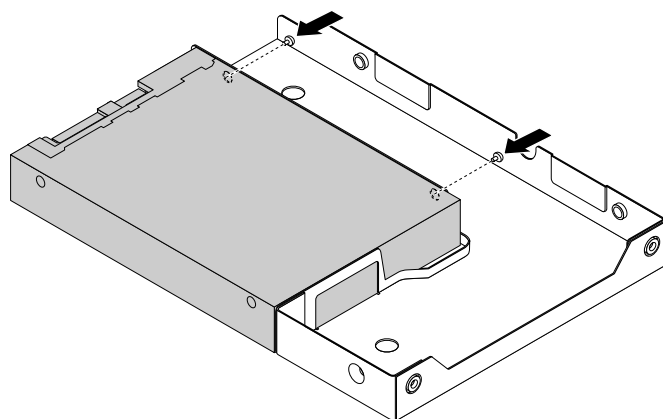


Figure 103. Installing the screws to secure the solid-state drive to the drive adapter

7. Position the drive adapter with the solid-state drive into the 3.5-inch drive bracket.

8. Align the screw holes in the drive adapter and the solid-state drive with the corresponding holes in the drive bracket. Then, install the five screws to secure the drive adapter and the solid-state drive to the bracket.

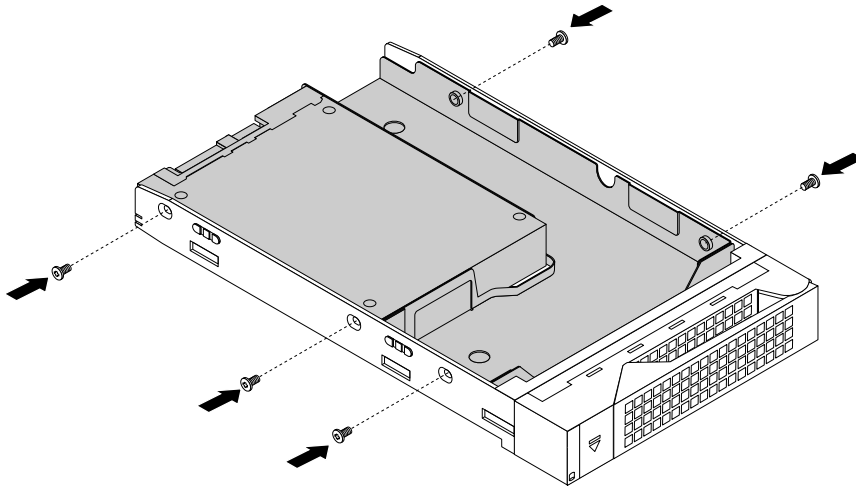


Figure 104. Installing the screws to secure the drive adapter and the solid-state drive to the bracket

9. Slide the bracket with the solid-state drive into the drive bay from the front until it snaps into position and then completely close the handle.

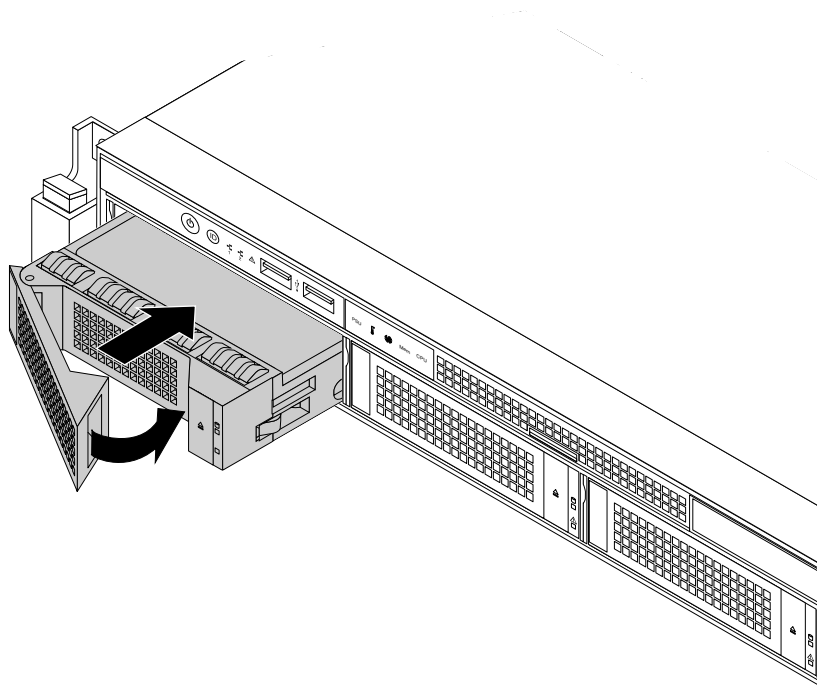


Figure 105. Installing the bracket with the solid-state drive

10. Check the hard-disk-drive status LEDs to ensure that the solid-state drive is operating correctly. You might have to restart the server for the newly installed solid-state drive to be recognized. See “Hot-swap

hard-disk-drive status LEDs” on page 39. If the solid-state drive is faulty, reinstall or replace it until it is operating correctly.

11. Save the removed dummy hard-disk-drive tray in case you later remove the solid-state drive and need a dummy tray to cover the drive bay.

What to do next:

- To work with another piece of hardware, go to the appropriate section.
- To configure RAID, go to “Configuring RAID” on page 74.
- To complete the installation, go to “Completing the parts replacement” on page 195.

Replacing a 2.5-inch solid-state drive from a 3.5-inch hard-disk-drive bay

Attention: Do not open your server or attempt any repair before reading and understanding “Safety information” on page iii and “Guidelines” on page 85.

This topic provides instructions on how to replace a 2.5-inch solid-state drive from a 3.5-inch hard-disk-drive bay.

Before you begin, print all the related instructions or ensure that you can view the PDF version on another computer for reference.

To replace a 2.5-inch solid-state drive from a 3.5-inch hard-disk-drive bay, do the following:

1. Locate the appropriate hard-disk-drive bay. See “Server components” on page 34.
2. Press the release button **1** to open the handle of the 3.5-inch drive bracket.

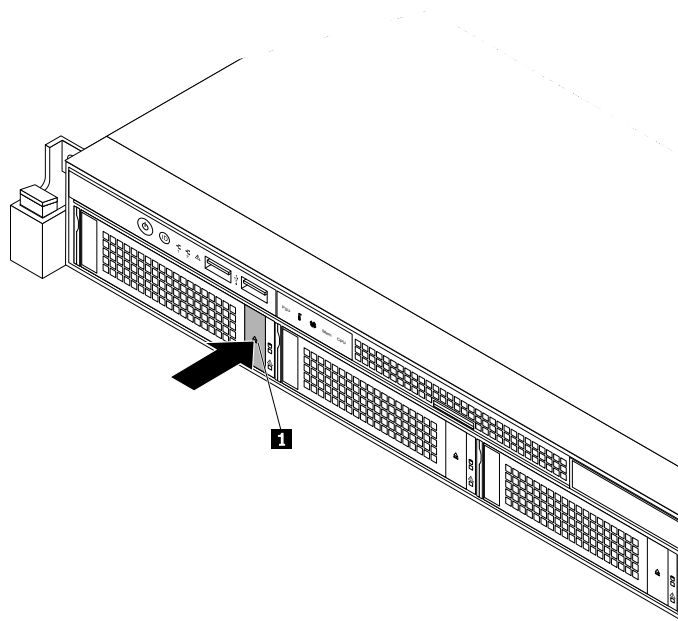


Figure 106. Opening the handle of the 3.5-inch drive bracket

3. Pull the handle and carefully slide the bracket with the solid-state drive out of the front of the chassis.

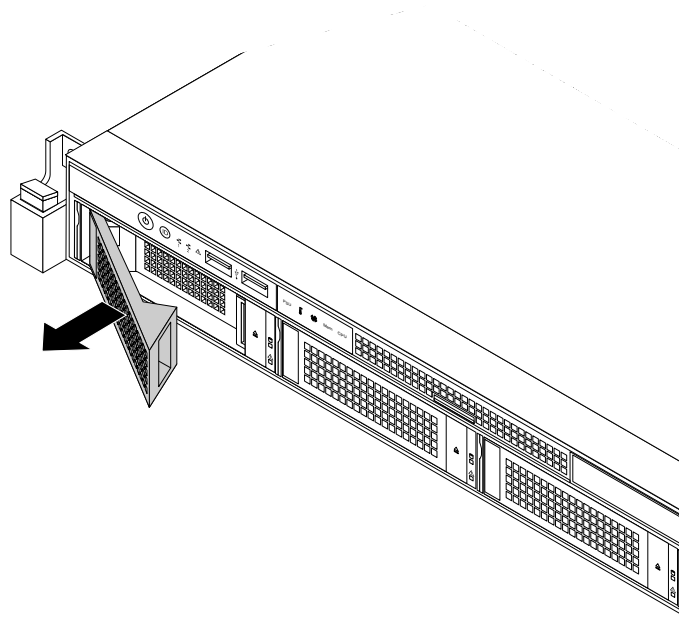


Figure 107. Removing the bracket with the solid-state drive

4. Remove the five screws that secure the solid-state drive and the 3.5-inch to 2.5-inch drive adapter. Then, remove the drive adapter with the solid-state drive from the bracket.

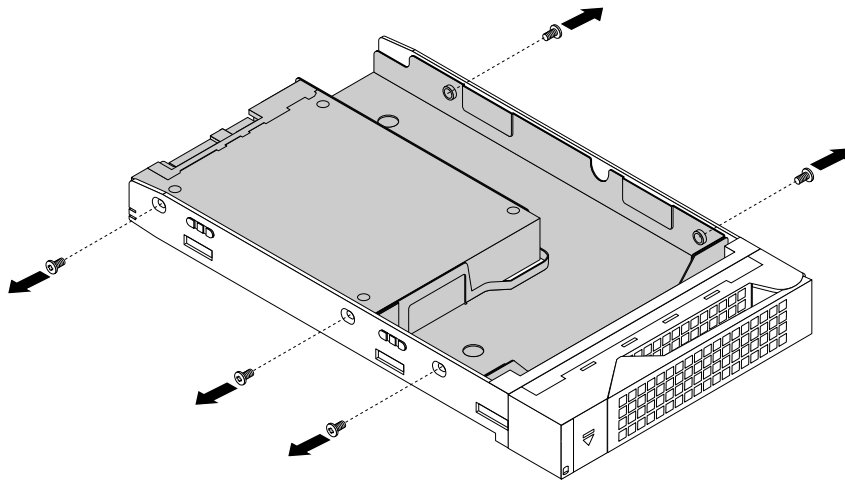


Figure 108. Removing the screws that secure the solid-state drive and the drive adapter

5. Remove the two screws that secure the solid-state drive.

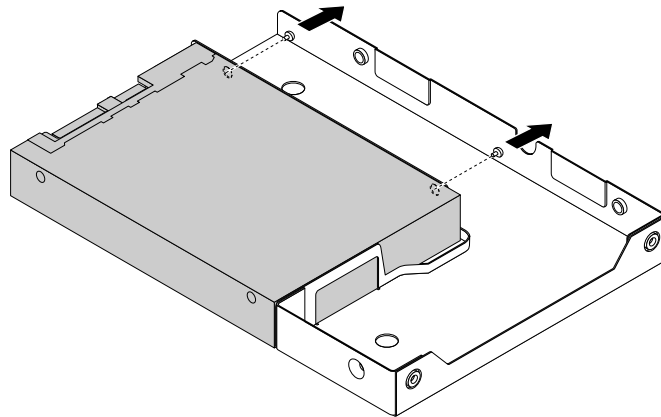


Figure 109. Removing the screws that secure the solid-state drive

6. Lift the solid-state drive up to remove it from the drive adapter.

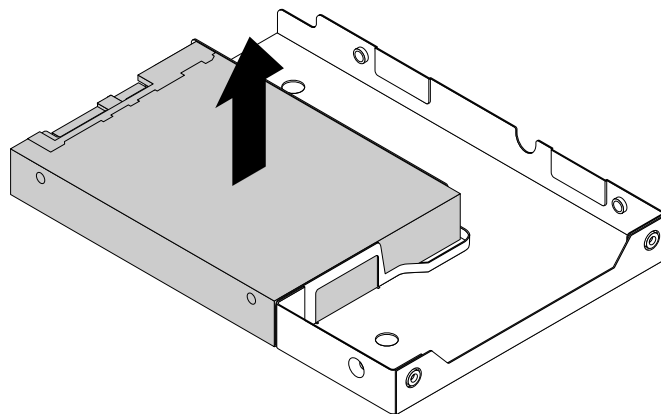


Figure 110. Removing the solid-state drive from the drive adapter

7. Install a new solid-state drive. See “Installing a 2.5-inch solid-state drive into a 3.5-inch hard-disk-drive bay” on page 148.
8. If you are instructed to return the old solid-state drive, follow all packaging instructions and use any packaging materials that are supplied to you for shipping.

What to do next:

- To work with another piece of hardware, go to the appropriate section.
- To configure RAID, go to “Configuring RAID” on page 74.
- To complete the replacement, go to “Completing the parts replacement” on page 195.

Installing or replacing the optical drive

Attention: Do not open your server or attempt any repair before reading and understanding “Safety information” on page iii and “Guidelines” on page 85.

This topic provides instructions on how to install or replace the optical drive.

This topic applies only to the following server models:

- Server models with eight 3.5-inch hard-disk-drive bays
- Server models with 2.5-inch hard-disk-drive bays

For server models with twelve 3.5-inch hard-disk-drive bays, there is no internal optical drive and you can use an external optical drive if needed.

CAUTION:

When laser products (such as CD-ROMs, DVD drives, fiber optic devices, or transmitters) are installed, note the following:

- **Do not remove the covers. Removing the covers of the laser product could result in exposure to hazardous laser radiation. There are no serviceable parts inside the device.**
- **Use of controls or adjustments or performance of procedures other than those specified herein might result in hazardous radiation exposure.**



Some laser products contain an embedded Class 3A or Class 3B laser diode. Note the following:

Laser radiation when open. Do not stare into the beam, do not view directly with optical instruments, and avoid direct exposure to the beam.

Before you begin, print all the related instructions or ensure that you can view the PDF version on another computer for reference.

Notes:

- Depending on the model, your server might look slightly different from the illustrations in this topic.
- Use any documentation that comes with the new optical drive and follow those instructions in addition to the instructions in this topic.

To install or replace the optical drive, do the following:

1. Remove all media from the drives and turn off all attached devices and the server. Then, disconnect all power cords from electrical outlets and disconnect all cables that are connected to the server.
2. If the server is installed in a rack cabinet, remove the server from the rack cabinet and place it on a flat, clean, and static-protective surface. See the *Rack Installation Instructions* that comes with the server.
3. Remove the server cover. See “Removing the server cover” on page 87.
4. Locate the optical drive bay. See “Server components” on page 34.
5. Do one of the following:

- If you are replacing an optical drive, disconnect the signal cable and the power cable from the rear of the optical drive. Press the rear of the retaining bracket **1** in the direction as shown and push the optical drive from the rear until it is projected from the front of the chassis. Then, hold the optical drive from the front and completely slide it out of the chassis.

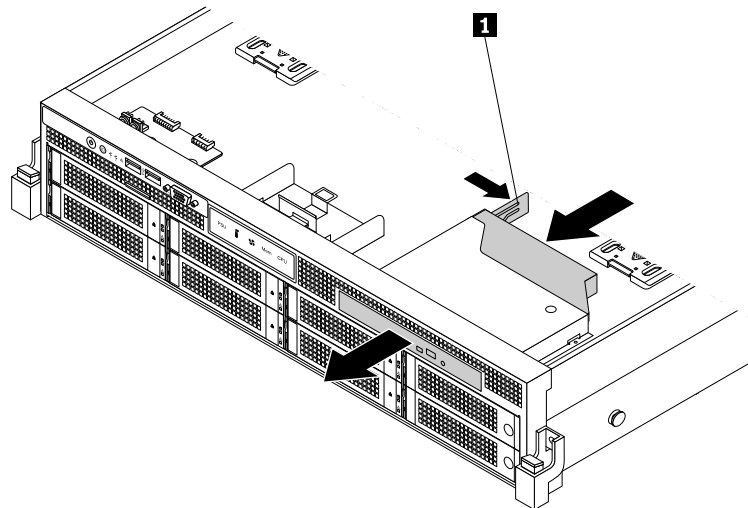


Figure 111. Removing the optical drive for server models with 3.5-inch hard disk drives

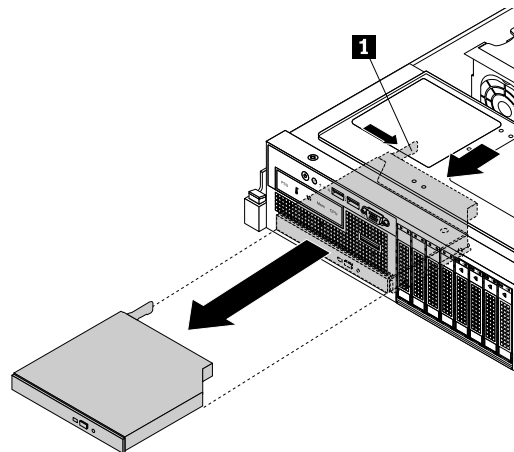


Figure 112. Removing the optical drive for server models with 2.5-inch hard disk drives

- If you are installing an optical drive, remove the dummy optical drive tray. The way of removing the dummy optical drive tray is similar to the way of removing the optical drive that is described above. Store the dummy optical drive tray in case you later remove the optical drive and need the dummy optical drive tray to cover the place.
6. Touch the static-protective package that contains the new optical drive to any unpainted surface on the outside of the server. Then, take the new optical drive out of the package.

7. Remove the retaining bracket from the old optical drive or the dummy optical drive tray. Then, install it on the side of the new optical drive.

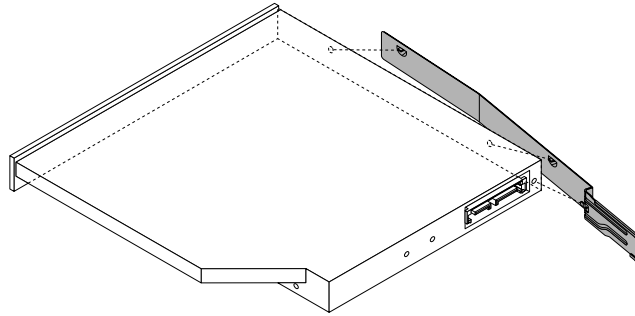


Figure 113. Installing the optical drive retaining bracket

- Slide the new optical drive with the retaining bracket into the drive bay from the front until it snaps into position.

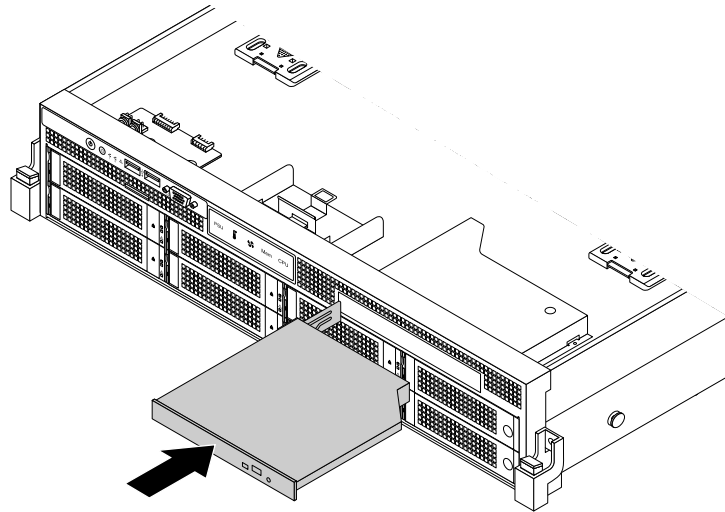


Figure 114. Installing the optical drive for server models with 3.5-inch hard disk drives

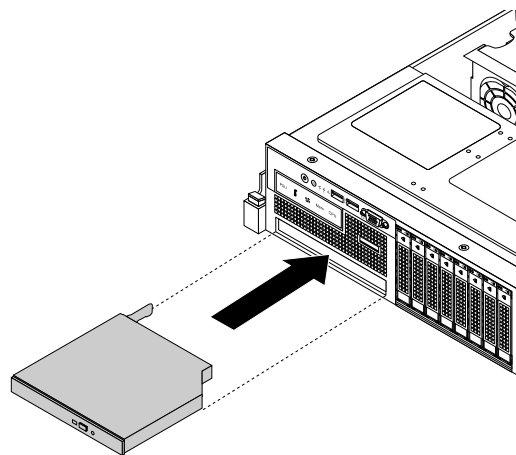


Figure 115. Installing the optical drive for server models with 2.5-inch hard disk drives

9. Connect the signal cable **1** and the power cable **2** to the rear of the new optical drive.

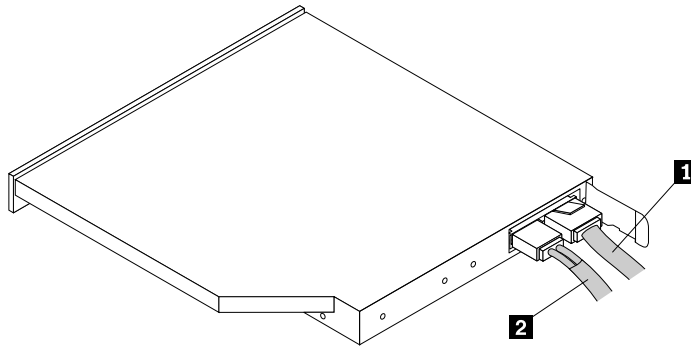


Figure 116. Connecting cables to the rear of the optical drive

10. If you are instructed to return the old optical drive, follow all packaging instructions and use any packaging materials that are supplied to you for shipping.

What to do next:

- To work with another piece of hardware, go to the appropriate section.
- To complete the replacement, go to “Completing the parts replacement” on page 195.

Replacing the ThinkServer RAID Super Capacitor Module

Attention: Do not open your server or attempt any repair before reading and understanding “Safety information” on page iii and “Guidelines” on page 85.

This topic provides instructions on how to replace the ThinkServer RAID Super Capacitor Module. This topic applies only to server models that have a ThinkServer RAID Super Capacitor Module installed.

The ThinkServer RAID Super Capacitor Module protects the cache memory on the installed ThinkServer RAID 710 Adapter. You can purchase a ThinkServer RAID Super Capacitor Module from Lenovo.

Before you begin, print all the related instructions or ensure that you can view the PDF version on another computer for reference.

Notes:

- Depending on the model, your server might look slightly different from the illustrations in this topic.
- Use any documentation that comes with the ThinkServer RAID Super Capacitor Module and follow those instructions in addition to the instructions in this topic.

To replace the ThinkServer RAID Super Capacitor Module, do the following:

1. Remove all media from the drives and turn off all attached devices and the server. Then, disconnect all power cords from electrical outlets and disconnect all cables that are connected to the server.
2. If the server is installed in a rack cabinet, remove the server from the rack cabinet and place it on a flat, clean, and static-protective surface. See the *Rack Installation Instructions* that comes with the server.
3. Remove the server cover. See “Removing the server cover” on page 87.

4. Disconnect the cable from the ThinkServer RAID Super Capacitor Module. Press the tab **1** slightly outward to ensure that it can smoothly pass through the hole in the bracket when you lift the bracket. Then, remove the bracket with the ThinkServer RAID Super Capacitor Module as shown.

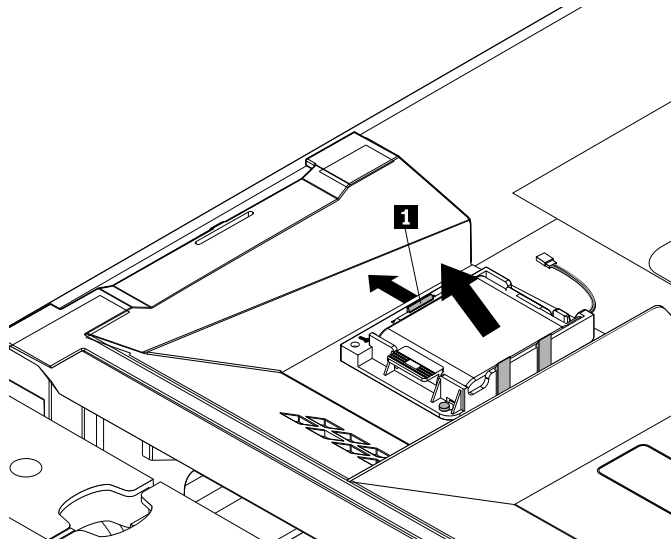


Figure 117. Removing the ThinkServer RAID Super Capacitor Module with bracket

5. Gently press the tab **1** on the bracket and remove the ThinkServer RAID Super Capacitor Module from the bracket at the same time.

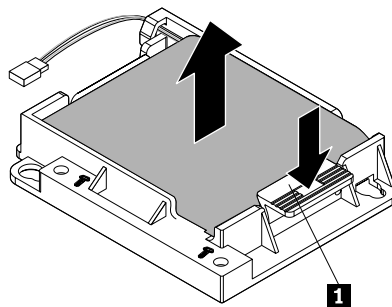


Figure 118. Removing the ThinkServer RAID Super Capacitor Module from the bracket

6. Touch the static-protective package that contains the new ThinkServer RAID Super Capacitor Module to any unpainted surface on the outside of the server. Then, take the new ThinkServer RAID Super Capacitor Module out of the package.

7. Note the orientation of the new ThinkServer RAID Super Capacitor Module. Then, gently press the tab **1** on the bracket and install the new ThinkServer RAID Super Capacitor Module into the bracket at the same time.

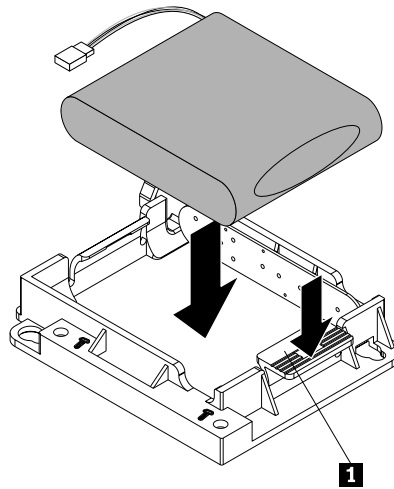


Figure 119. Installing the ThinkServer RAID Super Capacitor Module into the bracket

8. Position the new ThinkServer RAID Super Capacitor Module with bracket on the cooling shroud as shown so that one side of the bracket is secured by the two tabs **2**. Then, press the other side of the bracket straight down until the tab **1** passes through the corresponding hole in the bracket and secures the bracket in place.

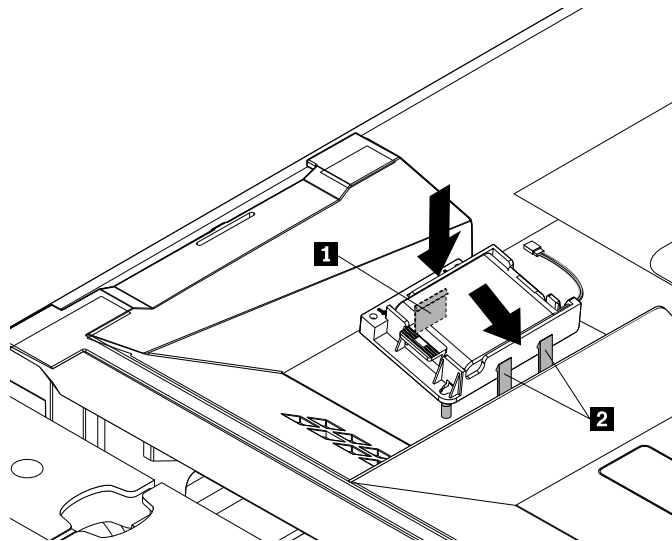


Figure 120. Installing the ThinkServer RAID Super Capacitor Module with bracket

9. Connect the cable to the new ThinkServer RAID Super Capacitor Module.

What to do next:

- To work with another piece of hardware, go to the appropriate section.
- To complete the replacement, go to “Completing the parts replacement” on page 195.

Installing or replacing a hot-swap hard disk drive

Attention: Do not open your server or attempt any repair before reading and understanding “Safety information” on page iii and “Guidelines” on page 85.

This topic provides instructions on how to install or replace a hot-swap hard disk drive.

For a list of ThinkServer hard disk drive options, go to:
<http://www.lenovo.com/thinkserver>

You can install a new hot-swap hard disk drive or replace a failing hot-swap hard disk drive without turning off the server, which helps you avoid significant interruption to the operation of the system.

The EMI integrity and cooling of the server are protected by having all drive bays covered or occupied. The number of the installed hard disk drives in your server varies depending on the server model. The vacant bays are either covered by an EMI-protective panel or occupied by dummy hard-disk-drive trays. When you install a hot-swap hard disk drive, save the removed dummy hard-disk-drive tray in case you later remove the hot-swap hard disk drive and need the dummy tray to cover the place.

Attention: An unoccupied drive bay without any other protection might impact the EMI integrity and cooling of the server, which might result in overheating or component damage. To maintain the EMI integrity and cooling of the server, install a new hot-swap hard disk drive as soon as you remove the failing one or the dummy tray.

Before you begin, review the following hard disk drive installation rules:

- Follow the order of the hard-disk-drive bays when installing a hard disk drive. See “Front view of the server” on page 16 to locate the hard-disk-drive bays in your server.
- For RAID configuration, the hard disk drives must be the same type with the same capacity if they are within a single RAID array. For more information, see “Configuring RAID” on page 74.
- For hard disk drives with different capacities, install the hard disk drives following the order of the hard-disk-drive bays as well as the order from the lowest capacity to the highest capacity.

Before you begin, print all the related instructions or ensure that you can view the PDF version on another computer for reference.

Notes:

- Depending on the model, your server might look slightly different from the illustrations in this topic.
- Use any documentation that comes with the hot-swap hard disk drive and follow those instructions in addition to the instructions in this topic.

To install or replace a hot-swap hard disk drive, do the following:

1. Do one of the following:

- If you are installing a new hot-swap hard disk drive, refer to the hard disk drive installation rules in this topic and locate the appropriate hard-disk-drive bay. Then, press the circled area **2** to open the handle of the dummy hard-disk-drive tray.
- If you are replacing a failing hot-swap hard disk drive, locate the failing hard disk drive and press the release button **1** to open the handle of the hard disk drive.

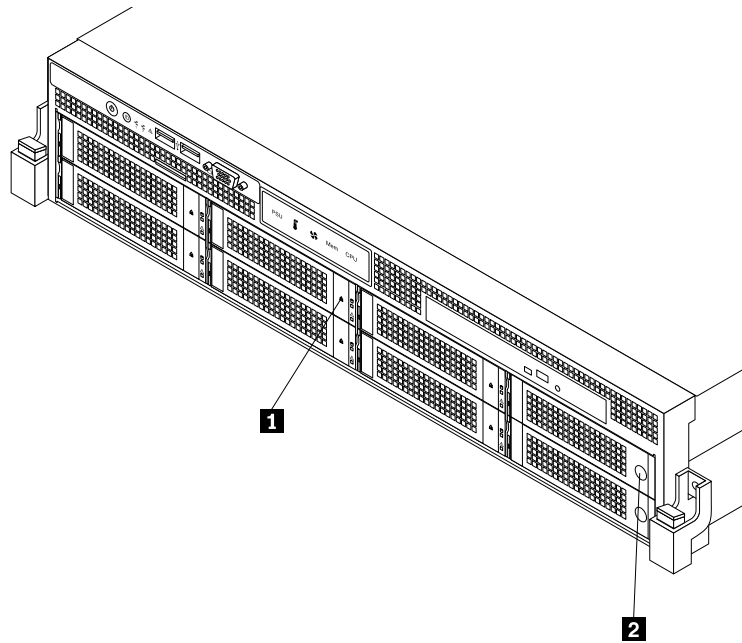


Figure 121. Opening the handle of a 3.5-inch hot-swap hard disk drive or dummy tray

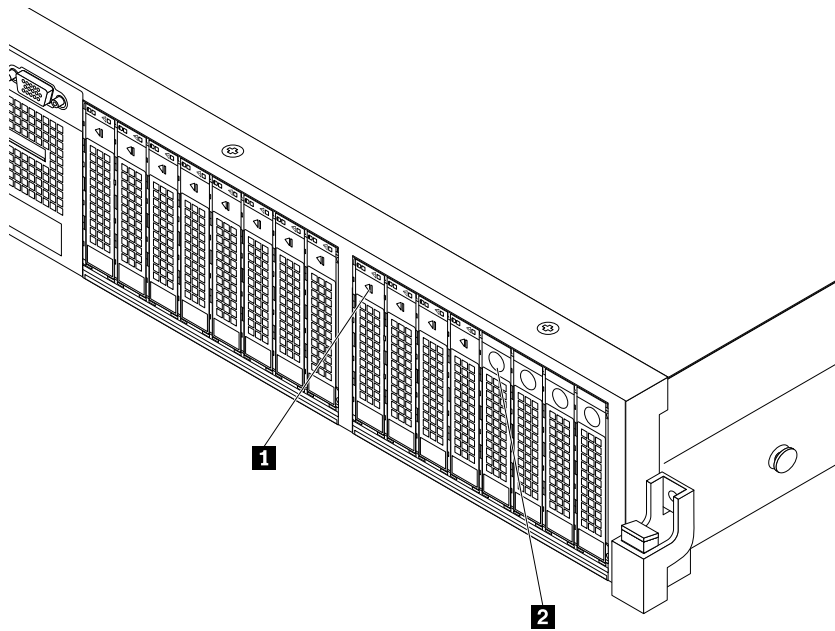


Figure 122. Opening the handle of a 2.5-inch hot-swap hard disk drive or dummy tray

2. Pull the handle and carefully slide the hot-swap hard disk drive or the dummy tray out of the front of the chassis.

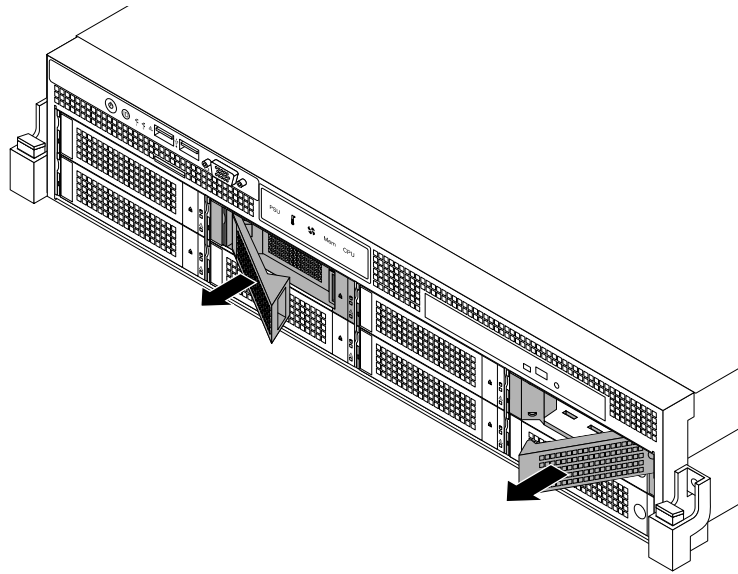


Figure 123. Removing the 3.5-inch hot-swap hard disk drive or dummy tray

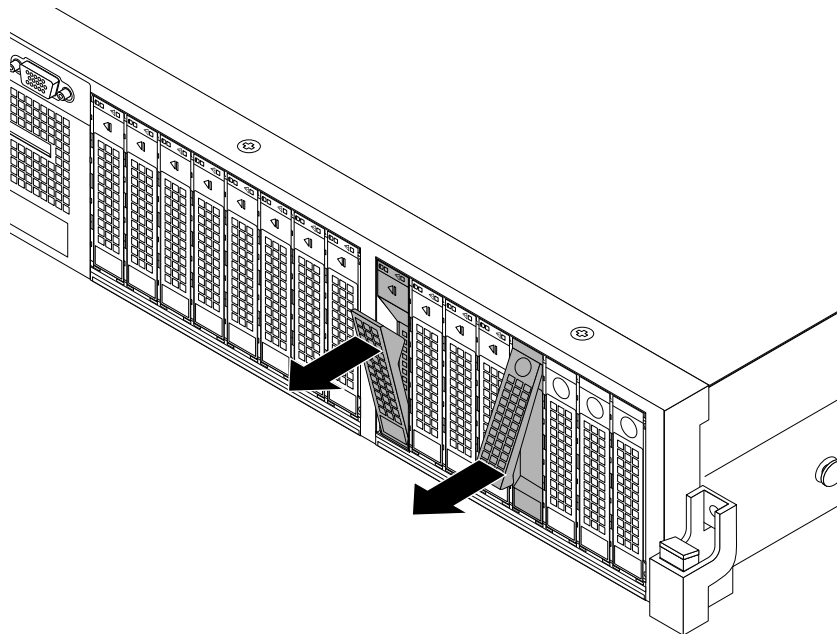


Figure 124. Removing the 2.5-inch hot-swap hard disk drive or dummy tray

3. Touch the static-protective package that contains the new hot-swap hard disk drive to any unpainted surface on the outside of the server. Then, take the new hot-swap hard disk drive out of the package.

Note: Do not touch the circuit board on the hard disk drive.

4. Slide the new hot-swap hard disk drive into the drive bay from the front until it snaps into position and then completely close the handle.

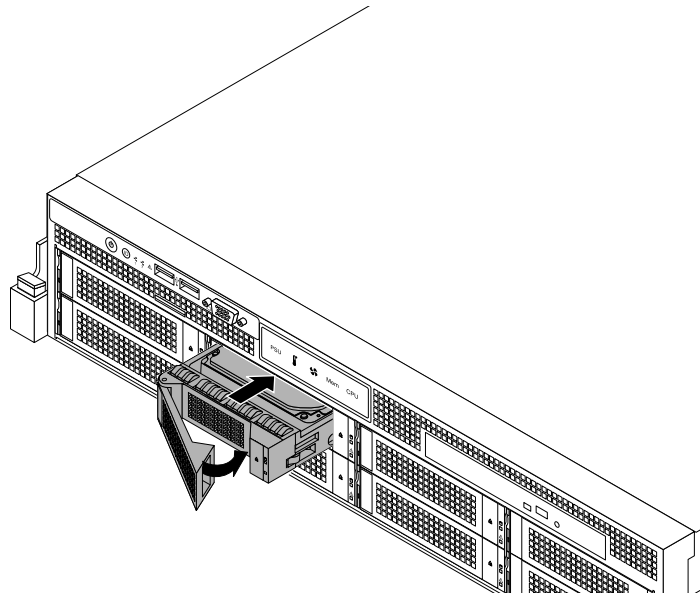


Figure 125. Installing the 3.5-inch hot-swap hard disk drive

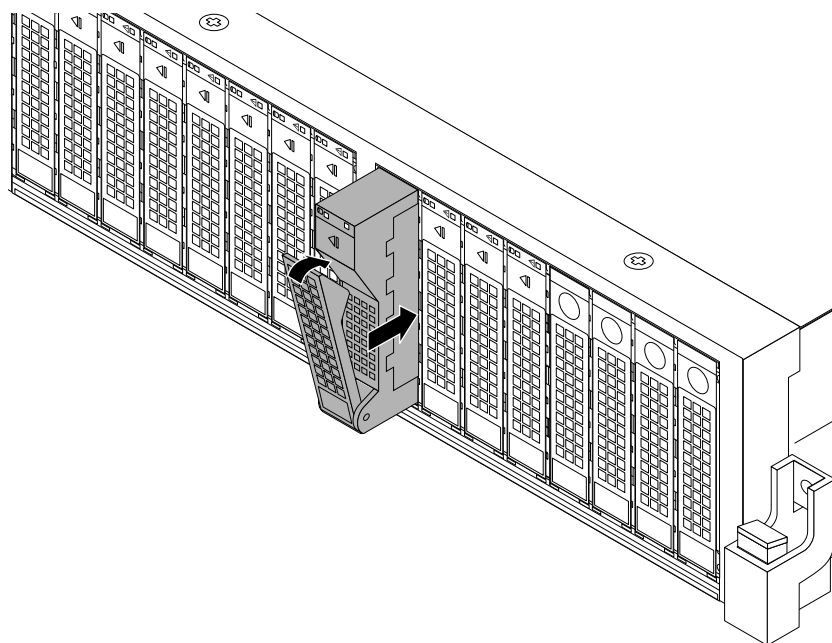


Figure 126. Installing the 2.5-inch hot-swap hard disk drive

5. Check the hot-swap hard-disk-drive status LEDs to ensure that the hard disk drive is operating correctly. You might have to restart the server for the newly installed hard disk drive to be recognized. See “Hot-swap hard-disk-drive status LEDs” on page 39. If the hard disk drive is faulty, reinstall or replace it until it is operating correctly.
6. Do one of the following:

- If you are installing a hot-swap hard disk drive, save the removed hard-disk-drive dummy tray in case you later remove the hot-swap hard disk drive and need a dummy tray to cover the drive bay.
- If you are replacing a failing hot-swap hard disk drive and are instructed to return the failing hot-swap hard disk drive, follow all packaging instructions and use any packaging materials that are supplied to you for shipping.

What to do next:

- To work with another piece of hardware, go to the appropriate section.
- To configure RAID, go to “Configuring RAID” on page 74.

Replacing the hot-swap hard-disk-drive backplane

This topic provides instructions on how to replace the hot-swap hard-disk-drive backplane. This topic contains the following items:

- “Replacing the backplane for server models with eight 3.5-inch hard-disk-drive bays” on page 166
- “Replacing the backplane for server models with twelve 3.5-inch hard-disk-drive bays” on page 169
- “Replacing the backplane for server models with 2.5-inch hard-disk-drive bays” on page 170

Note: The hot-swap hard-disk-drive backplane is sensitive to ESD. Ensure that you read and understand “Handling static-sensitive devices” on page 86 first and carefully perform the operation.

Replacing the backplane for server models with eight 3.5-inch hard-disk-drive bays

<p>Attention: Do not open your server or attempt any repair before reading and understanding “Safety information” on page iii and “Guidelines” on page 85.</p>

This topic provides instructions on how to replace the backplane for server models with eight 3.5-inch hard-disk-drive bays.

Before you begin, print all the related instructions or ensure that you can view the PDF version on another computer for reference.

Note: To show the backplane clearly, the system fans are omitted from the illustrations in this topic.

To replace the backplane for server models with eight 3.5-inch hard-disk-drive bays, do the following:

1. Remove all media from the drives and turn off all attached devices and the server. Then, disconnect all power cords from electrical outlets and disconnect all cables that are connected to the server.
2. If the server is installed in a rack cabinet, remove the server from the rack cabinet and place it on a flat, clean, and static-protective surface. See the *Rack Installation Instructions* that comes with the server.
3. Remove the server cover. See “Removing the server cover” on page 87.
4. Locate the backplane. See “Components of server models with eight 3.5-inch hard-disk-drive bays” on page 35.
5. Remove all the installed 3.5-inch hot-swap hard disk drives and dummy trays (if any) from the hard-disk-drive bays. See “Installing or replacing a hot-swap hard disk drive” on page 162.
6. Record the cable connections on the backplane and then disconnect all cables from the backplane.

7. Press each of the two latches on the chassis in the direction as shown until the latch snaps into the open position and will not interfere with lifting the backplane.

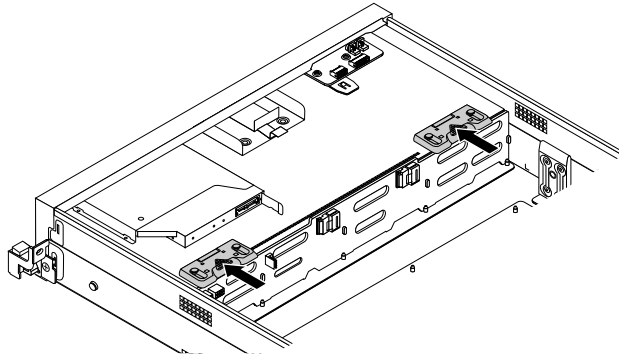


Figure 127. Releasing the backplane for server models with eight 3.5-inch hard-disk-drive bays

8. Carefully lift the backplane straight up slightly so that the small hooks **1** on the chassis are aligned with the corresponding holes in the backplane. Then, slowly and carefully move the backplane to the rear of the chassis until the hooks **1** pass through the holes in the backplane and then completely remove the backplane out of the chassis.

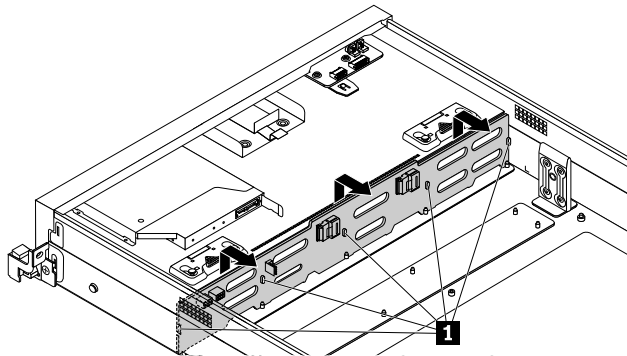


Figure 128. Removing the backplane for server models with eight 3.5-inch hard-disk-drive bays

9. Touch the static-protective package that contains the new hot-swap hard-disk-drive backplane to any unpainted surface on the outside of the server. Then, remove the new backplane from the package.

Note: Carefully handle the backplane by its edges.

10. Note the orientation of the new backplane and position it on the chassis so that the small hooks **1** on the chassis pass through the corresponding holes in the new backplane. Then, carefully press the new backplane straight down so that it is secured in place by the small retaining studs **2** on the chassis.

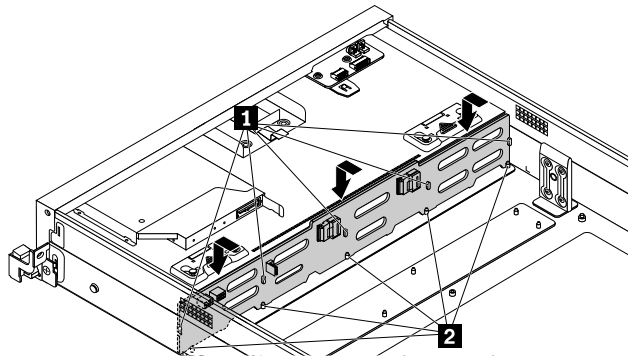


Figure 129. Installing the backplane for server models with eight 3.5-inch hard-disk-drive bays

11. Press the buttons **1** to put the latches on the chassis to the closed position so that the latches secure the new backplane in place.

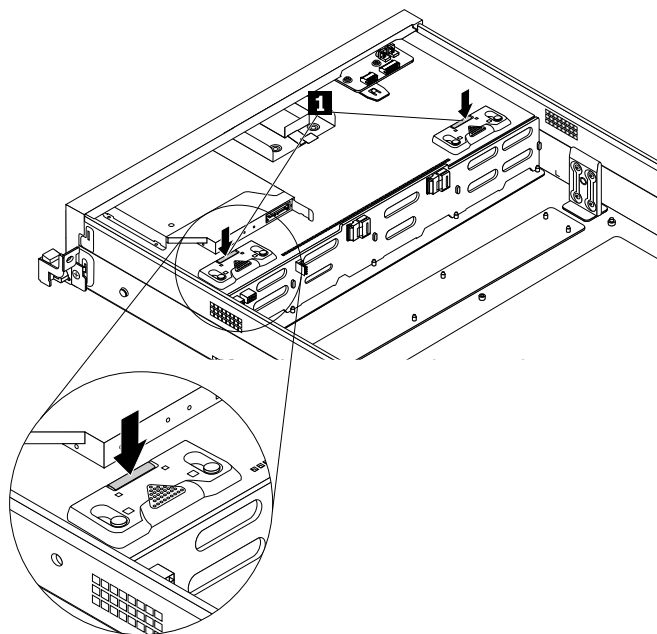


Figure 130. Securing the backplane for server models with eight 3.5-inch hard-disk-drive bays

12. Reinstall all the hot-swap hard disk drives and dummy trays (if any) in the hard-disk-drive bays. See “Installing or replacing a hot-swap hard disk drive” on page 162.
13. Refer to your note to connect the cables to the new backplane.
14. If you are instructed to return the old hot-swap hard-disk-drive backplane, follow all packaging instructions and use any packaging materials that are supplied to you for shipping.

What to do next:

- To work with another piece of hardware, go to the appropriate section.
- To complete the replacement, go to “Completing the parts replacement” on page 195.

Replacing the backplane for server models with twelve 3.5-inch hard-disk-drive bays

Attention: Do not open your server or attempt any repair before reading and understanding “Safety information” on page iii and “Guidelines” on page 85.

This topic provides instructions on how to replace the backplane for server models with twelve 3.5-inch hard-disk-drive bays.

Before you begin, print all the related instructions or ensure that you can view the PDF version on another computer for reference.

Note: To show the backplane clearly, the system fans are omitted from the illustrations in this topic.

To replace the backplane for server models with twelve 3.5-inch hard-disk-drive bays, do the following:

1. Remove all media from the drives and turn off all attached devices and the server. Then, disconnect all power cords from electrical outlets and disconnect all cables that are connected to the server.
2. If the server is installed in a rack cabinet, remove the server from the rack cabinet and place it on a flat, clean, and static-protective surface. See the *Rack Installation Instructions* that comes with the server.
3. Remove the server cover. See “Removing the server cover” on page 87.
4. Locate the backplane. See “Components of server models with twelve 3.5-inch hard-disk-drive bays” on page 36.
5. Remove all the installed 3.5-inch hot-swap hard disk drives and dummy trays (if any) from the hard-disk-drive bays. See “Installing or replacing a hot-swap hard disk drive” on page 162.
6. Record the cable connections on the backplane and then disconnect all cables from the backplane.
7. Carefully lift the backplane straight up slightly so that the small hooks **1** on the chassis are aligned with the corresponding holes in the backplane. Then, slowly and carefully move the backplane to the rear of the chassis until the hooks **1** pass through the holes in the backplane and then completely remove the backplane out of the chassis.

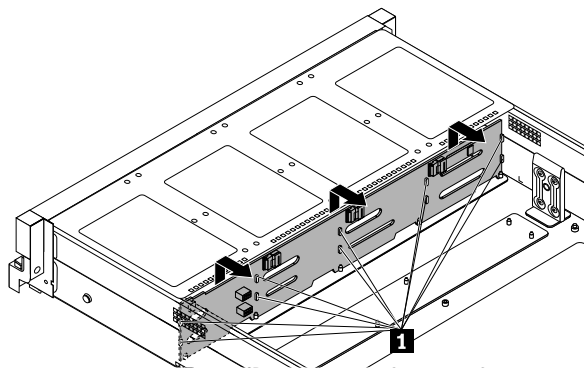


Figure 131. Removing the backplane for server models with twelve 3.5-inch hard-disk-drive bays

8. Touch the static-protective package that contains the new hot-swap hard-disk-drive backplane to any unpainted surface on the outside of the server. Then, remove the new backplane from the package.

Note: Carefully handle the backplane by its edges.

- Note the orientation of the new backplane and position it on the chassis so that the small hooks **1** on the chassis pass through the corresponding holes in the new backplane. Then, carefully press the new backplane straight down so that it is secured in place by the small retaining studs **2** on the chassis.

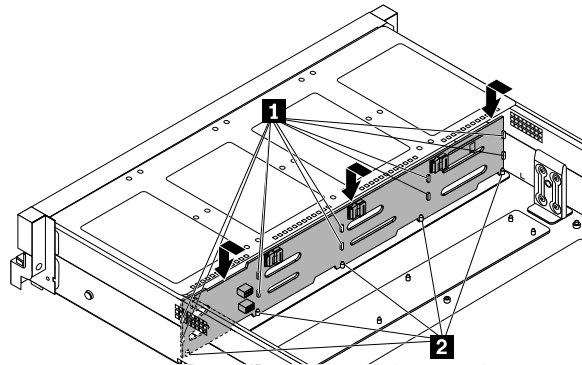


Figure 132. Installing the backplane for server models with twelve 3.5-inch hard-disk-drive bays

- Reinstall all the hot-swap hard disk drives and dummy trays (if any) in the hard-disk-drive bays. See “Installing or replacing a hot-swap hard disk drive” on page 162.
- Refer to your note to connect the cables to the new backplane.
- If you are instructed to return the old hot-swap hard-disk-drive backplane, follow all packaging instructions and use any packaging materials that are supplied to you for shipping.

What to do next:

- To work with another piece of hardware, go to the appropriate section.
- To complete the replacement, go to “Completing the parts replacement” on page 195.

Replacing the backplane for server models with 2.5-inch hard-disk-drive bays

Attention: Do not open your server or attempt any repair before reading and understanding “Safety information” on page iii and “Guidelines” on page 85.

This topic provides instructions on how to replace the backplane for server models with 2.5-inch hard-disk-drive bays. Depending on the model, your server might come with one or two 2.5-inch hard-disk-drive backplanes.

Before you begin, print all the related instructions or ensure that you can view the PDF version on another computer for reference.

Note: To show the backplane clearly, the system fans are omitted from the illustrations in this topic.

To replace the backplane for server models with 2.5-inch hard-disk-drive bays, do the following:

- Remove all media from the drives and turn off all attached devices and the server. Then, disconnect all power cords from electrical outlets and disconnect all cables that are connected to the server.
- If the server is installed in a rack cabinet, remove the server from the rack cabinet and place it on a flat, clean, and static-protective surface. See the *Rack Installation Instructions* that comes with the server.
- Remove the server cover. See “Removing the server cover” on page 87.
- Locate the backplane. See “Components of server models with 2.5-inch hard-disk-drive bays” on page 37.

5. Remove all the installed 2.5-inch hot-swap hard disk drives and dummy trays (if any) from the hard-disk-drive cage (right cage or middle cage). See “Installing or replacing a hot-swap hard disk drive” on page 162.
6. Record the cable connections on the backplane and then disconnect all cables from the backplane.
7. Remove the three screws that secure the backplane and then carefully lift the backplane out of the chassis.

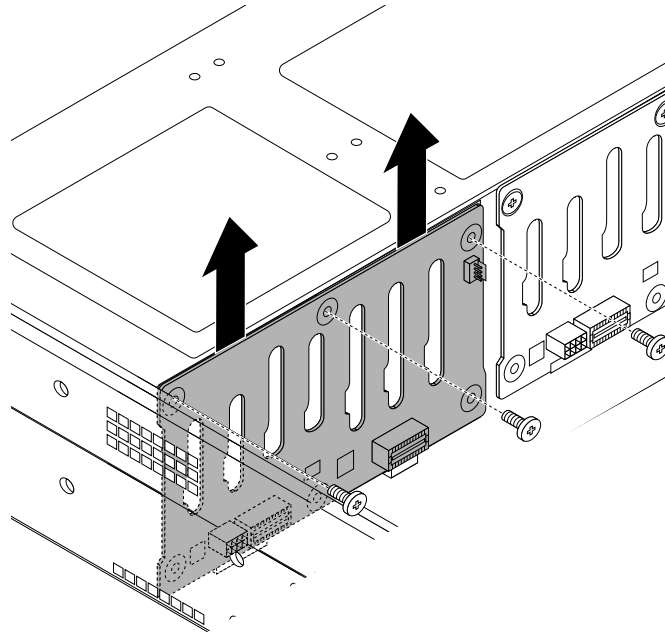


Figure 133. Removing the backplane for server models with 2.5-inch hard-disk-drive bays

8. Touch the static-protective package that contains the new hot-swap hard-disk-drive backplane to any unpainted surface on the outside of the server. Then, remove the new backplane from the package.

Note: Carefully handle the backplane by its edges.

9. Note the orientation of the new backplane. Carefully press the new backplane straight down into the chassis so that it is secured in place by the tabs **1** on the chassis and the three screw holes in the new backplane are aligned with the corresponding holes in the chassis. Then, install the screws to secure the new backplane in place.

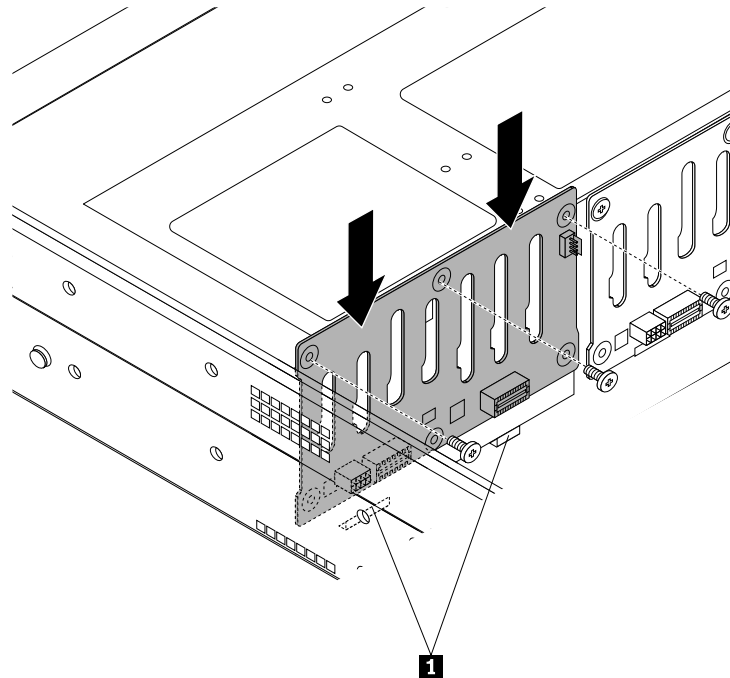


Figure 134. Installing the backplane for server models with 2.5-inch hard-disk-drive bays

10. Reinstall all the hot-swap hard disk drives and dummy trays (if any) in the hard-disk-drive cage. See “Installing or replacing a hot-swap hard disk drive” on page 162.
11. Refer to your note to connect the cables to the new backplane.
12. If you are instructed to return the old hot-swap hard-disk-drive backplane, follow all packaging instructions and use any packaging materials that are supplied to you for shipping.

What to do next:

- To work with another piece of hardware, go to the appropriate section.
- To complete the replacement, go to “Completing the parts replacement” on page 195.

Replacing the riser card assembly 1

Attention: Do not open your server or attempt any repair before reading and understanding “Safety information” on page iii and “Guidelines” on page 85.

This topic provides instructions on how to replace the riser card assembly 1.

Before you begin, print all the related instructions or ensure that you can view the PDF version on another computer for reference.

Note: Depending on the model, your server might look slightly different from the illustrations in this topic.

To replace the riser card assembly 1, do the following:

1. Remove all media from the drives and turn off all attached devices and the server. Then, disconnect all power cords from electrical outlets and disconnect all cables that are connected to the server.
2. If the server is installed in a rack cabinet, remove the server from the rack cabinet and place it on a flat, clean, and static-protective surface. See the *Rack Installation Instructions* that comes with the server.
3. Remove the server cover. See “Removing the server cover” on page 87.
4. Remove the cooling shroud. See “Removing and reinstalling the cooling shroud” on page 95.
5. Locate the riser card assembly 1. See “Server components” on page 34.
6. Grasp the riser card assembly 1 by its edges and carefully lift it straight up and off the chassis.

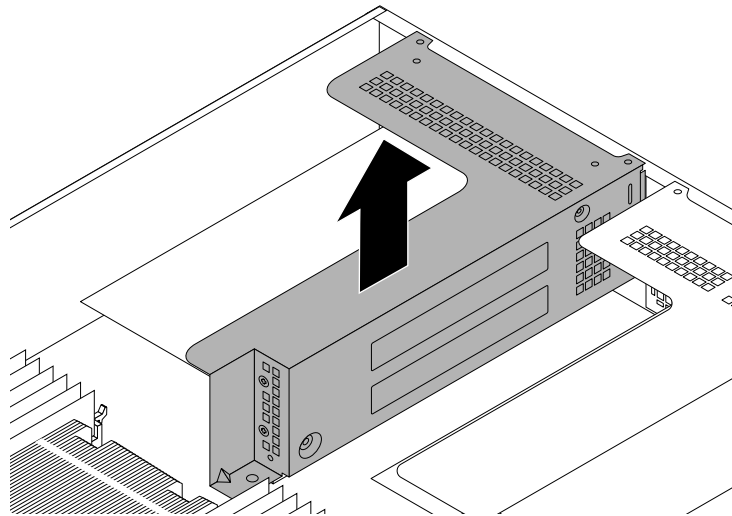


Figure 135. Lifting the riser card assembly 1 off the chassis

7. If there is any PCI Express card installed on the riser card assembly 1, especially when a RAID card and an expander card are installed, record the cable connections, disconnect all cables from the cards, and then completely remove the riser card assembly 1 out of the chassis.
8. Touch the static-protective package that contains the new riser card assembly 1 to any unpainted surface on the outside of the server. Then, remove the new riser card assembly 1 from the package.
9. Remove the PCI Express cards from the old riser card assembly 1 and install them on the new one. See “Installing or removing the RAID card” on page 105 and “Installing or removing the expander card” on page 114.
10. If necessary, refer to your note to reconnect any cables to the PCI Express cards on the new riser card assembly 1. You also can refer to “Connecting the cables” on page 47 for information about cable connections.

11. Position the new riser card assembly 1 on the chassis and align it with the riser card assembly 1 slot on the system board and align the rear of it with the corresponding rail guides in the rear of the chassis. Then, carefully press the new riser card assembly 1 straight down into the chassis until it is fully seated.

Note: If there is any PCI Express card installed on the riser card assembly 1, carefully fit the PCI Express card into the chassis and properly route any cables from the card.

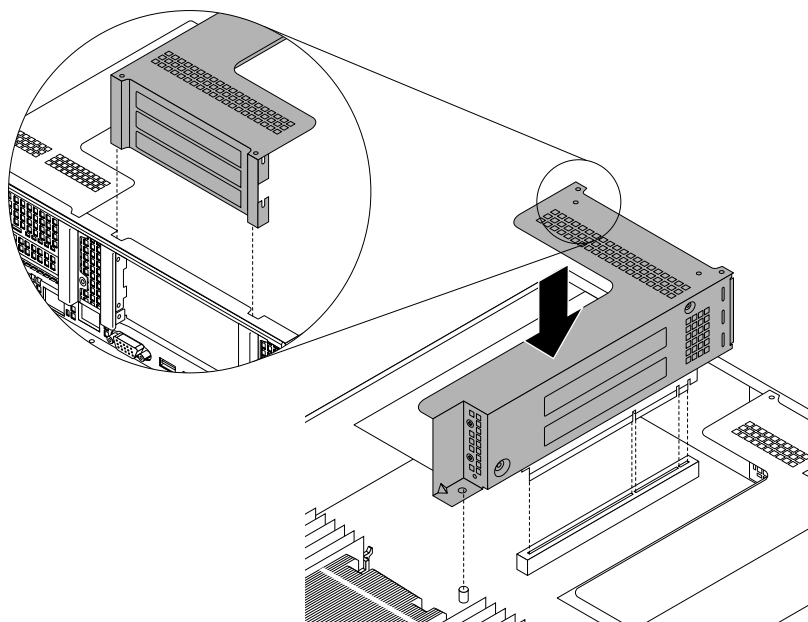


Figure 136. Installing the riser card assembly 1

12. If you are instructed to return the old riser card assembly 1, follow all packaging instructions and use any packaging materials that are supplied to you for shipping.

What to do next:

- To work with another piece of hardware, go to the appropriate section.
- To complete the replacement, go to “Completing the parts replacement” on page 195.

Replacing the riser card assembly 2

Attention: Do not open your server or attempt any repair before reading and understanding “Safety information” on page iii and “Guidelines” on page 85.

This topic provides instructions on how to replace the riser card assembly 2.

Before you begin, print all the related instructions or ensure that you can view the PDF version on another computer for reference.

Note: Depending on the model, your server might look slightly different from the illustrations in this topic.

To replace the riser card assembly 2, do the following:

1. Remove all media from the drives and turn off all attached devices and the server. Then, disconnect all power cords from electrical outlets and disconnect all cables that are connected to the server.

2. If the server is installed in a rack cabinet, remove the server from the rack cabinet and place it on a flat, clean, and static-protective surface. See the *Rack Installation Instructions* that comes with the server.
3. Remove the server cover. See “Removing the server cover” on page 87.
4. Locate the riser card assembly 2. See “Server components” on page 34.
5. Grasp the riser card assembly 2 by its edges and carefully lift it straight up and off the chassis.

Note: If there is any cable connected to any PCI Express card on the riser card assembly 2, you might need to remove the cooling shroud first. See “Removing and reinstalling the cooling shroud” on page 95.

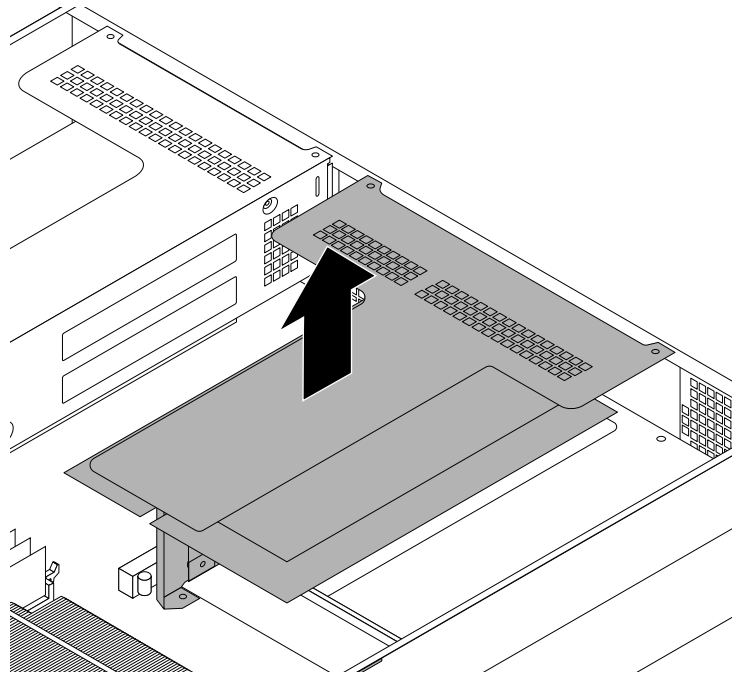


Figure 137. Lifting the riser card assembly 2 off the chassis

6. If necessary, disconnect any cables from the PCI Express cards installed on the riser card assembly 2 and then completely remove the riser card assembly 2 out of the chassis.
7. Touch the static-protective package that contains the new riser card assembly 2 to any unpainted surface on the outside of the server. Then, remove the new riser card assembly 2 from the package.
8. Remove the PCI Express cards (if any) from the old riser card assembly 2 and install them on the new one. See “Installing or removing an Ethernet card” on page 118.
9. If necessary, reconnect any cables to the PCI Express cards on the new riser card assembly 2.

10. Position the new riser card assembly 2 on the chassis and align it with the riser card assembly 2 slot on the system board and align the rear of it with the corresponding rail guides in the rear of the chassis. Then, carefully press the new riser card assembly 2 straight down into the chassis until it is fully seated.

Note: If there is any PCI Express card installed on the riser card assembly 2, carefully fit the PCI Express card into the chassis and properly route any cables from the card.

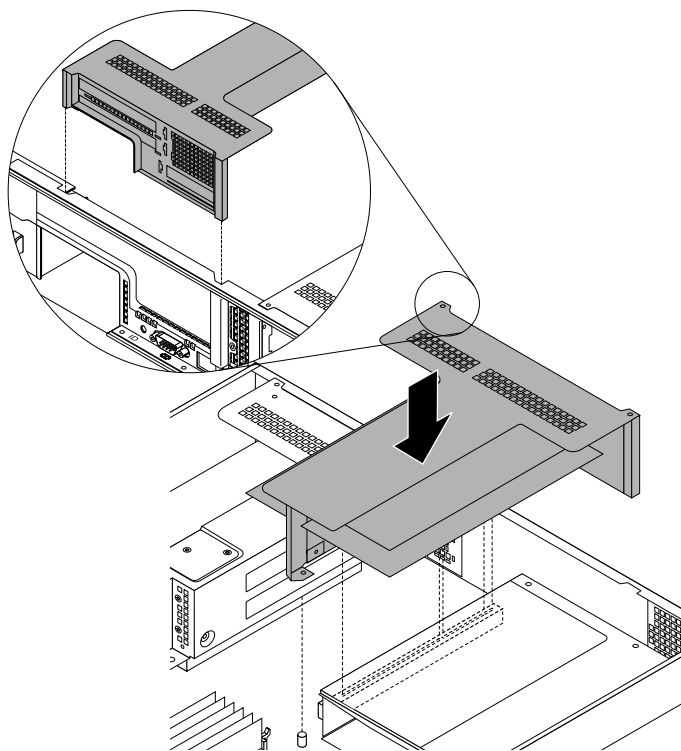


Figure 138. Installing the riser card assembly 2

11. If you are instructed to return the old riser card assembly 2, follow all packaging instructions and use any packaging materials that are supplied to you for shipping.

What to do next:

- To work with another piece of hardware, go to the appropriate section.
- To complete the replacement, go to “Completing the parts replacement” on page 195.

Replacing the front panel board

This topic provides instructions on how to replace the front panel board. This topic contains the following items:

- “Replacing the front panel board for server models with eight 3.5-inch hard-disk-drive bays” on page 177
- “Replacing the front panel board for server models with 2.5-inch hard-disk-drive bays” on page 178

For server models with twelve 3.5-inch hard-disk-drive bays, the front USB connectors are integrated into the left rack handle; and the front controls and LEDs are integrated into the right rack handle. See “Front view of server models with twelve 3.5-inch hard-disk-drive bays” on page 18 for detailed information.

Before you begin, print all the related instructions or ensure that you can view the PDF version on another computer for reference.

Notes:

- The front panel board is sensitive to ESD. Ensure that you read and understand “Handling static-sensitive devices” on page 86 first and carefully perform the operation.
- Depending on the model, your server might look slightly different from the illustrations in this topic.

Replacing the front panel board for server models with eight 3.5-inch hard-disk-drive bays

Attention: Do not open your server or attempt any repair before reading and understanding “Safety information” on page iii and “Guidelines” on page 85.

To replace the front panel board for server models with eight 3.5-inch hard-disk-drive bays, do the following:

1. Remove all media from the drives and turn off all attached devices and the server. Then, disconnect all power cords from electrical outlets and disconnect all cables that are connected to the server.
2. If the server is installed in a rack cabinet, remove the server from the rack cabinet and place it on a flat, clean, and static-protective surface. See the *Rack Installation Instructions* that comes with the server.
3. Remove the server cover. See “Removing the server cover” on page 87.
4. Locate the front panel board. See “Components of server models with eight 3.5-inch hard-disk-drive bays” on page 35.
5. Disconnect the front panel cable and the front panel USB cable from the rear of the front panel board.
6. Remove the two screws that secure the front panel board and then carefully remove the front panel board from the chassis.

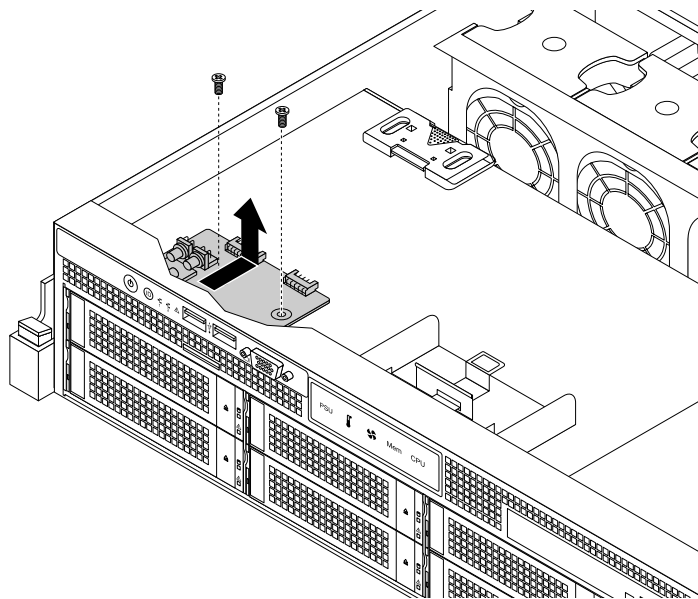


Figure 139. Removing the front panel board for server models with eight 3.5-inch hard-disk-drive bays

7. Touch the static-protective package that contains the new front panel board to any unpainted surface on the outside of the server. Then, take the new front panel board out of the package.

Note: Carefully handle the front panel board by its edges.

- Carefully position the new front panel board on the chassis so that the front controls, connectors, and LEDs are through the corresponding holes in the front bezel and the two screw holes in the new front panel board are aligned with the corresponding mounting studs on the chassis. Then, install the screws to secure the front panel board in place.

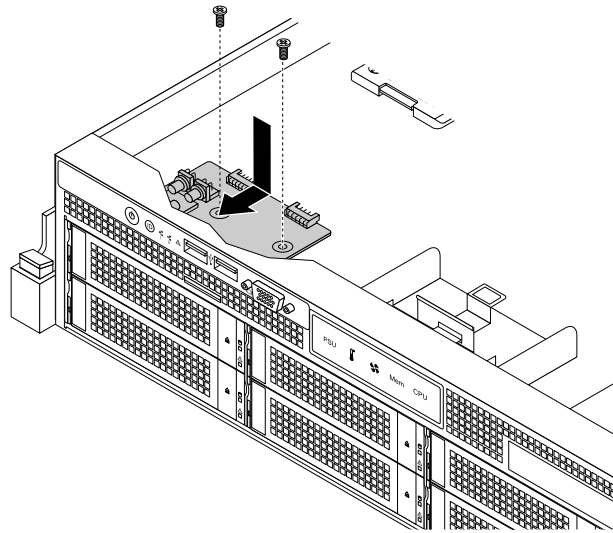


Figure 140. Installing the front panel board for server models with eight 3.5-inch hard-disk-drive bays

- Connect the front panel cable and the front panel USB cable to the rear of the new front panel board.
- If you are instructed to return the old front panel board, follow all packaging instructions and use any packaging materials that are supplied to you for shipping.

What to do next:

- To work with another piece of hardware, go to the appropriate section.
- To complete the replacement, go to “Completing the parts replacement” on page 195.

Replacing the front panel board for server models with 2.5-inch hard-disk-drive bays

Attention: Do not open your server or attempt any repair before reading and understanding “Safety information” on page iii and “Guidelines” on page 85.

To replace the front panel board for server models with 2.5-inch hard-disk-drive bays, do the following:

- Remove all media from the drives and turn off all attached devices and the server. Then, disconnect all power cords from electrical outlets and disconnect all cables that are connected to the server.
- If the server is installed in a rack cabinet, remove the server from the rack cabinet and place it on a flat, clean, and static-protective surface. See the *Rack Installation Instructions* that comes with the server.
- Remove the server cover. See “Removing the server cover” on page 87.
- Remove the front bezel. See “Removing and reinstalling the front bezel” on page 89.
- Remove the cooling shroud. See “Removing and reinstalling the cooling shroud” on page 95.
- Locate the front panel board. See “Components of server models with 2.5-inch hard-disk-drive bays” on page 37.
- Remove the left cage. See “Removing and reinstalling the left cage” on page 97.

8. Disconnect the front panel cable and the front panel USB cable from the rear of the front panel board.
9. Remove the two screws that secure the front panel board and then carefully remove the front panel board from the left cage.

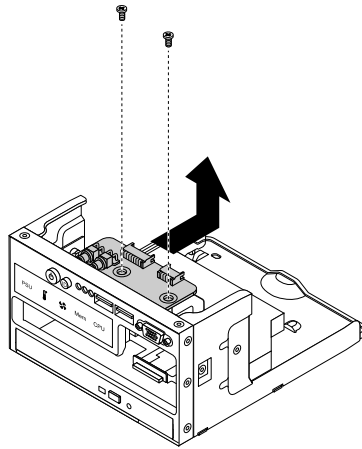


Figure 141. Removing the front panel board from the left cage of server models with 2.5-inch hard-disk-drive bays

10. Touch the static-protective package that contains the new front panel board to any unpainted surface on the outside of the server. Then, take the new front panel board out of the package.

Note: Carefully handle the front panel board by its edges.

11. Carefully position the new front panel board on the left cage so that the front controls, connectors, and LEDs are through the corresponding holes in the cage and the two screw holes in the new front panel board are aligned with the corresponding mounting studs on the cage. Then, install the screws to secure the front panel board in place.

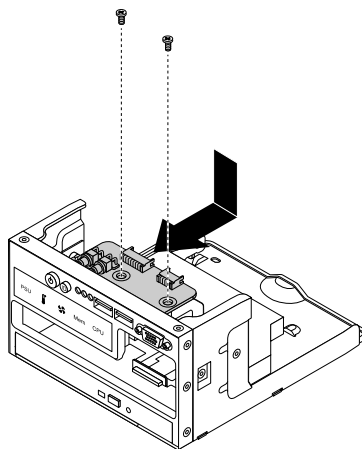


Figure 142. Installing the front panel board in the left cage of server models with 2.5-inch hard-disk-drive bays

12. Connect the front panel cable and the front panel USB cable to the rear of the new front panel board.
13. Reinstall the left cage and then reconnect all cables. See “Removing and reinstalling the left cage” on page 97.
14. If you are instructed to return the old front panel board, follow all packaging instructions and use any packaging materials that are supplied to you for shipping.

What to do next:

- To work with another piece of hardware, go to the appropriate section.
- To complete the replacement, go to “Completing the parts replacement” on page 195.

Replacing the diagnostic module

This topic provides instructions on how to replace the diagnostic module. For detailed information about the diagnostic module, see “Diagnostic module” on page 24.

This topic contains the following items:

- “Replacing the diagnostic module for server models with eight 3.5-inch hard-disk-drive bays” on page 180
- “Replacing the diagnostic module for server models with 2.5-inch hard-disk-drive bays” on page 182

Before you begin, print all the related instructions or ensure that you can view the PDF version on another computer for reference.

Note: Depending on the model, your server and diagnostic module might look different from the illustrations in this topic.

Replacing the diagnostic module for server models with eight 3.5-inch hard-disk-drive bays

<p>Attention: Do not open your server or attempt any repair before reading and understanding “Safety information” on page iii and “Guidelines” on page 85.</p>

To replace the diagnostic module for server models with eight 3.5-inch hard-disk-drive bays, do the following:

1. Remove all media from the drives and turn off all attached devices and the server. Then, disconnect all power cords from electrical outlets and disconnect all cables that are connected to the server.
2. If the server is installed in a rack cabinet, remove the server from the rack cabinet and place it on a flat, clean, and static-protective surface. See the *Rack Installation Instructions* that comes with the server.
3. Remove the server cover. See “Removing the server cover” on page 87.
4. Locate the diagnostic module. See “Components of server models with eight 3.5-inch hard-disk-drive bays” on page 35.
5. Disconnect the cable from the rear of the diagnostic module.

6. Press the release tab **1** in the direction as shown and then push the diagnostic module out of the front of the chassis.

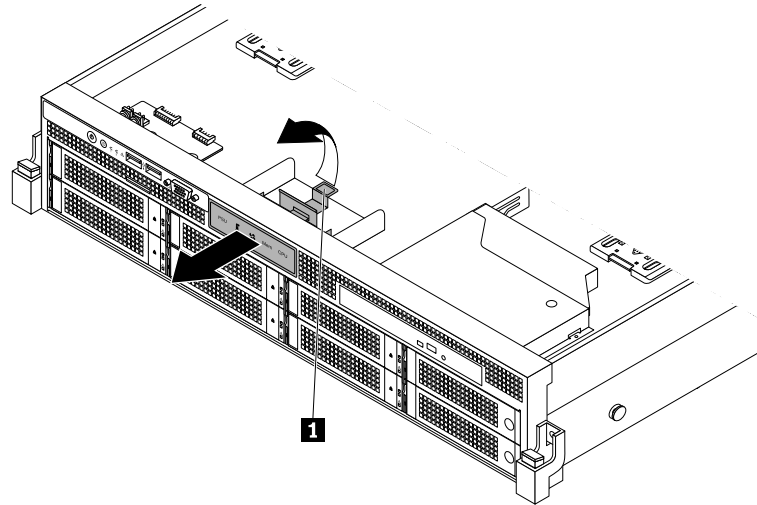


Figure 143. Removing the diagnostic module for server models with eight 3.5-inch hard-disk-drive bays

7. Touch the static-protective package that contains the new diagnostic module to any unpainted surface on the outside of the server. Then, take the new diagnostic module out of the package.
8. Slide the new diagnostic module into the chassis from the front until it snaps into position.

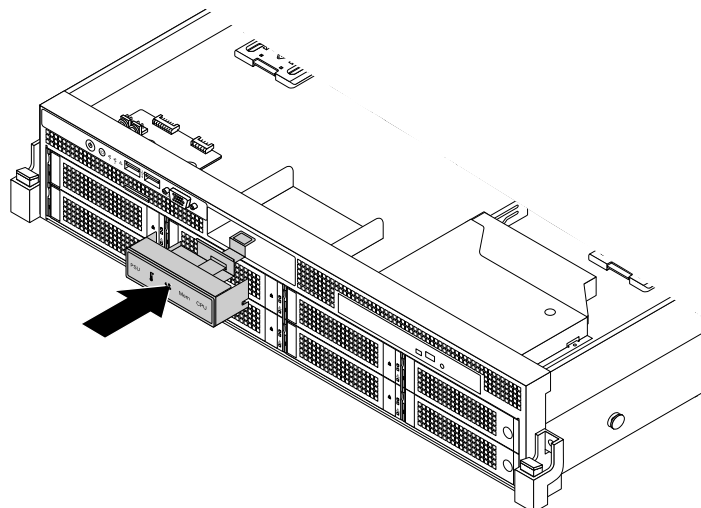


Figure 144. Installing the diagnostic module for server models with eight 3.5-inch hard-disk-drive bays

9. Connect the diagnostic module cable to the rear of the new diagnostic module.

10. If you are instructed to return the old diagnostic module, follow all packaging instructions and use any packaging materials that are supplied to you for shipping.

What to do next:

- To work with another piece of hardware, go to the appropriate section.
- To complete the replacement, go to “Completing the parts replacement” on page 195.

Replacing the diagnostic module for server models with 2.5-inch hard-disk-drive bays

Attention: Do not open your server or attempt any repair before reading and understanding “Safety information” on page iii and “Guidelines” on page 85.

To replace the diagnostic module for server models with 2.5-inch hard-disk-drive bays, do the following:

1. Remove all media from the drives and turn off all attached devices and the server. Then, disconnect all power cords from electrical outlets and disconnect all cables that are connected to the server.
2. If the server is installed in a rack cabinet, remove the server from the rack cabinet and place it on a flat, clean, and static-protective surface. See the *Rack Installation Instructions* that comes with the server.
3. Remove the server cover. See “Removing the server cover” on page 87.
4. Remove the front bezel. See “Removing and reinstalling the front bezel” on page 89.
5. Remove the cooling shroud. See “Removing and reinstalling the cooling shroud” on page 95.
6. Locate the diagnostic module. See “Components of server models with 2.5-inch hard-disk-drive bays” on page 37.
7. Remove the left cage. See “Removing and reinstalling the left cage” on page 97.
8. Remove the front panel board. See “Replacing the front panel board for server models with 2.5-inch hard-disk-drive bays” on page 178.
9. Disconnect the cable from the rear of the diagnostic module.
10. Press the release tab **1** in the direction as shown and then push the diagnostic module out of the front of the left cage.

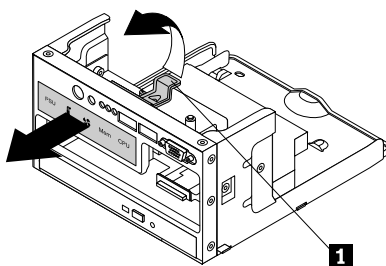


Figure 145. Removing the diagnostic module from the left cage of server models with 2.5-inch hard-disk-drive bays

11. Touch the static-protective package that contains the new diagnostic module to any unpainted surface on the outside of the server. Then, take the new diagnostic module out of the package.

- Slide the new diagnostic module into the cage from the front until it snaps into position.

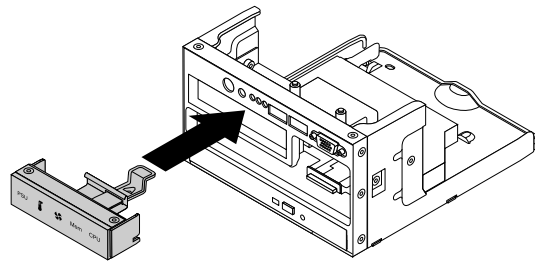


Figure 146. Installing the diagnostic module into the left cage of server models with 2.5-inch hard-disk-drive bays

- Connect the diagnostic module cable to the rear of the new diagnostic module.
- Reinstall the front panel board. See “Replacing the front panel board for server models with 2.5-inch hard-disk-drive bays” on page 178.
- Reinstall the left cage and then reconnect all cables. See “Removing and reinstalling the left cage” on page 97.
- If you are instructed to return the old diagnostic module, follow all packaging instructions and use any packaging materials that are supplied to you for shipping.

What to do next:

- To work with another piece of hardware, go to the appropriate section.
- To complete the replacement, go to “Completing the parts replacement” on page 195.

Replacing a system fan

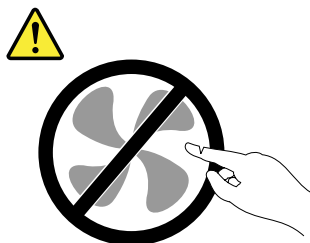
Attention: Do not open your server or attempt any repair before reading and understanding “Safety information” on page iii and “Guidelines” on page 85.

This topic provides instructions on how to replace a system fan.

Your server has five hot-swap system fans. You can replace a hot-swap system fan without turning off the server.

CAUTION:

Hazardous moving parts. Keep fingers and other body parts away.



Before you begin, print all the related instructions or ensure that you can view the PDF version on another computer for reference.

Note: Depending on the model, your server might look slightly different from the illustrations in this topic.

To replace a system fan, do the following:

1. Remove the server cover. See “Removing the server cover” on page 87.

Note: The system fans are hot-swap and you can replace a failing system fan without turning off the server.

2. Do the following to locate the failing system fan:
 - If your server comes with an Intelligent Diagnostics Module Premium, you can view the system fan error LEDs on the panel of the module to locate the failing system fan. See “Intelligent Diagnostics Module Premium” on page 26.
 - If your server does not come with an Intelligent Diagnostics Module Premium, you can view the system fan error LEDs on the system board to locate the failing system fan. See “System board LEDs” on page 59.
3. Grasp the top of the system fan with your index finger and thumb and then lift the system fan out of the server.

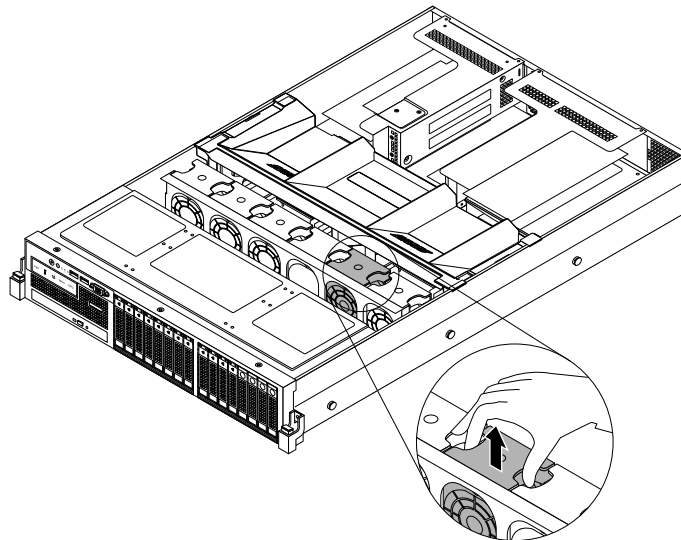


Figure 147. Removing the system fan

4. Touch the static-protective package that contains the new system fan to any unpainted surface on the outside of the server. Then, remove the new system fan from the package.

5. Position the new system fan above the place for the removed failing system fan so that the system fan connector on the bottom of the new system fan is facing the rear of the chassis. Then, press the new system fan straight down until it is seated into place.

Note: Install a new system fan as soon as you remove the failing one.

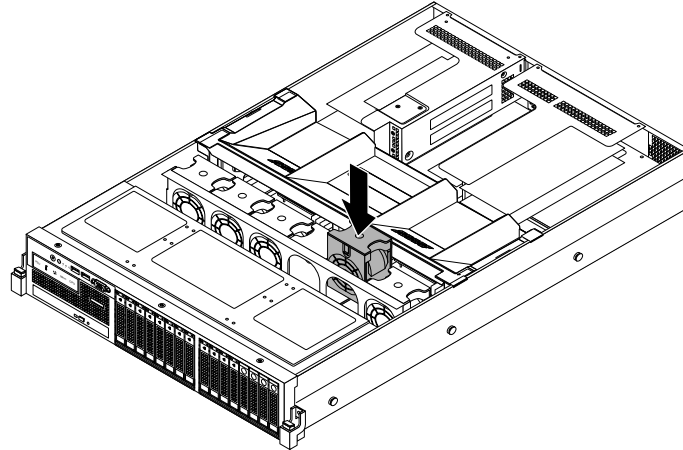


Figure 148. Installing the system fan

6. If you are instructed to return the old system fan, follow all packaging instructions and use any packaging materials that are supplied to you for shipping.

What to do next:

- To work with another piece of hardware, go to the appropriate section.
- To complete the replacement, go to “Completing the parts replacement” on page 195.

Replacing the coin-cell battery

Attention: Do not open your server or attempt any repair before reading and understanding “Safety information” on page iii and “Guidelines” on page 85.

This topic provides instructions on how to replace the coin-cell battery.

Your server has a special type of memory that maintains the date, time, and configuration information for built-in features. The coin-cell battery keeps the information active when you turn off the server. The coin-cell battery normally requires no charging or maintenance throughout its life; however, no battery lasts forever. If the coin-cell battery fails, the date, time, and configuration information, including passwords, are lost and an error message is displayed when you turn on the server.



Danger of explosion if battery is incorrectly replaced.

When replacing the lithium coin cell battery, use only the same or an equivalent type that is recommended by the manufacturer. The battery contains lithium and can explode if not properly used, handled, or disposed of.

Do not:

- **Throw or immerse into water**
- **Heat to more than 100°C (212°F)**
- **Repair or disassemble**

Dispose of the battery as required by local ordinances or regulations.

The following statement applies to users in the state of California, U.S.A.

California Perchlorate Information:

Products containing manganese dioxide lithium coin cell batteries may contain perchlorate.

Perchlorate Material - special handling may apply, See www.dtsc.ca.gov/hazardouswaste/perchlorate

Before you begin, print all the related instructions or ensure that you can view the PDF version on another computer for reference.

To replace the coin-cell battery, do the following:

Note: After you replace the coin-cell battery, you must reset passwords, reset system date and time, and reconfigure the server.

1. Remove all media from the drives and turn off all attached devices and the server. Then, disconnect all power cords from electrical outlets and disconnect all cables that are connected to the server.
2. If the server is installed in a rack cabinet, remove the server from the rack cabinet and place it on a flat, clean, and static-protective surface. See the *Rack Installation Instructions* that comes with the server.
3. Remove the server cover. See “Removing the server cover” on page 87.
4. Locate the coin-cell battery. See “System board components” on page 52.

Note: If there is any PCI Express card installed on the riser card assembly 1, it might block your access to the coin-cell battery. In this case, you need to remove the cooling shroud and then carefully lift the riser card assembly 1 up so that you can access the coin-cell battery. You do not need to disconnect any cables from the riser card assembly 1 or completely remove the riser card assembly 1.

5. Remove the old coin-cell battery.

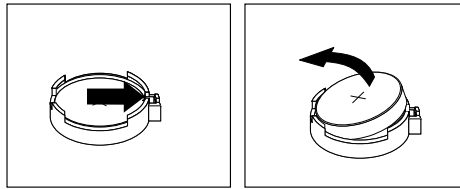


Figure 149. Removing the coin-cell battery

6. Install a new coin-cell battery.

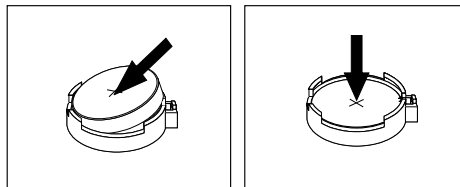


Figure 150. Installing the coin-cell battery

7. If you have lifted the riser card assembly 1, reinstall it into the chassis. See “Replacing the riser card assembly 1” on page 172.
8. Dispose of the old coin-cell battery as required by local ordinances or regulations.

What to do next:

- To work with another piece of hardware, go to the appropriate section.
- To complete the replacement, go to “Completing the parts replacement” on page 195. After you replace the coin-cell battery, you must reset passwords, reset system date and time, and reconfigure the server. See Chapter 5 “Configuring the server” on page 63.

Replacing the system board

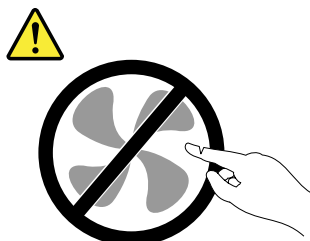
Attention: Do not open your server or attempt any repair before reading and understanding “Safety information” on page iii and “Guidelines” on page 85.

This topic provides instructions on how to replace the system board.

Note: This procedure must be performed only by trained service personnel of Lenovo.

CAUTION:

Hazardous moving parts. Keep fingers and other body parts away.



CAUTION:



The heat sinks and microprocessors might be very hot. Turn off the server and wait three to five minutes to let the server cool before removing the server cover.

Before you begin, print all the related instructions or ensure that you can view the PDF version on another computer for reference.

Note: Depending on the model, your server might look slightly different from the illustrations in this topic.

To replace the system board, do the following:

1. Remove all media from the drives and turn off all attached devices and the server. Then, disconnect all power cords from electrical outlets and disconnect all cables that are connected to the server.
2. If the server is installed in a rack cabinet, remove the server from the rack cabinet and place it on a flat, clean, and static-protective surface. See the *Rack Installation Instructions* that comes with the server.
3. Remove the hot-swap redundant power supplies. See “Installing or replacing a hot-swap redundant power supply” on page 133.
4. Remove the server cover. See “Removing the server cover” on page 87.
5. Remove the cooling shroud. See “Removing and reinstalling the cooling shroud” on page 95.
6. Record the component locations, cable connections, and cable routing in the server.
7. Remove the system fan cage with the installed system fans as a whole by lifting the system fan cage straight up and out of the chassis.

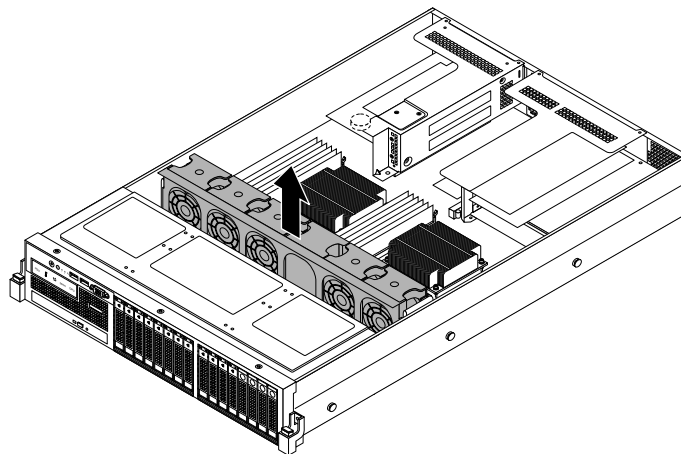


Figure 151. Removing the system fan cage with system fans

8. Remove the two riser card assemblies. See “Replacing the riser card assembly 1” on page 172 and “Replacing the riser card assembly 2” on page 174.

9. Remove the power supply cooling shroud.

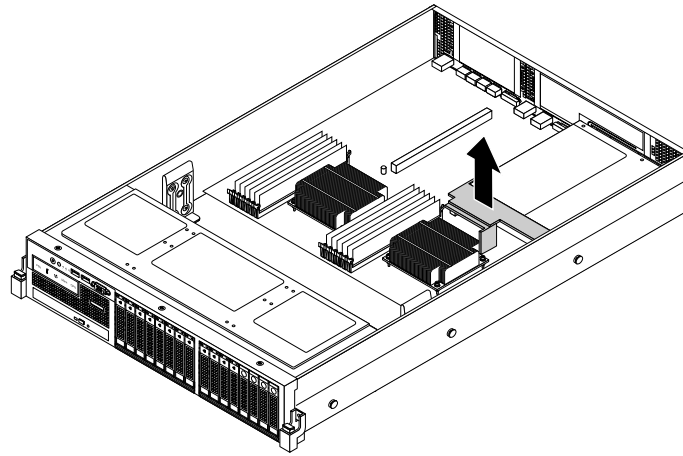


Figure 152. Removing the power supply cooling shroud

10. Remove all memory modules. See “Removing a memory module” on page 104.
11. Remove the TMM Premium if one is installed. See “Removing the TMM Premium” on page 128.
12. Remove the TPM if one is installed. See “Removing the TPM” on page 131.
13. Remove the heat sinks. See “Installing or replacing a heat sink” on page 137.

14. Disconnect all cables from the system board. Then, remove the ten screws that secure the system board following the recommended numerical sequence as shown.

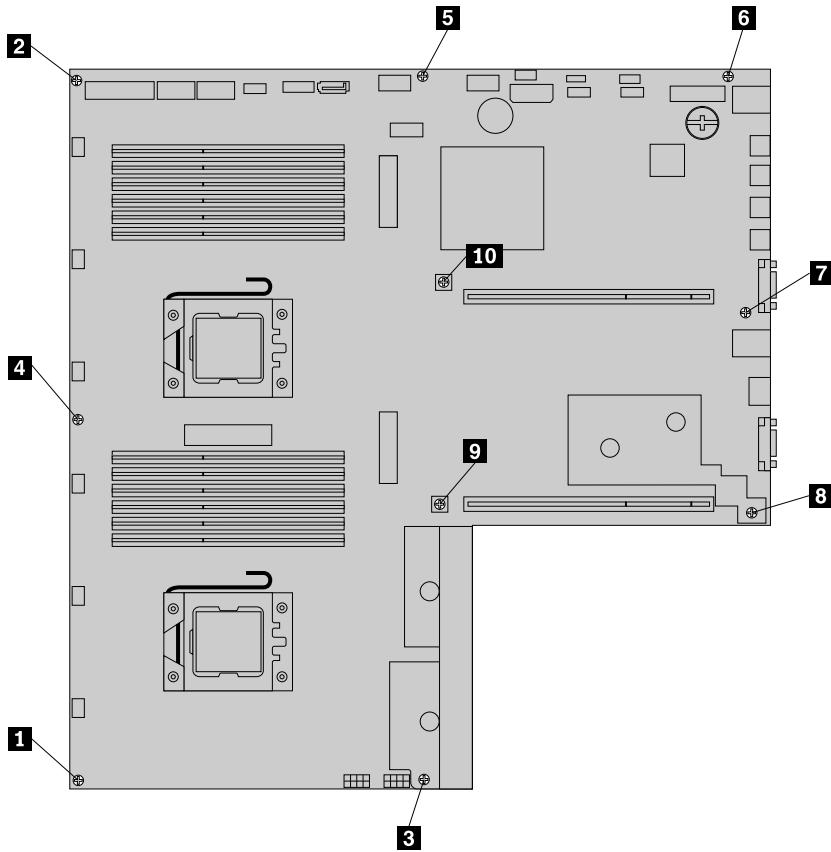


Figure 153. Removing the screws that secure the system board

15. Gently lift each edge of the system board slightly upward so that the system board is released from the mounting studs on the chassis. Then, move the system board to the front of the server and then carefully pivot the system board upward to remove it out of the chassis.

Note: Carefully handle the system board by its edges.

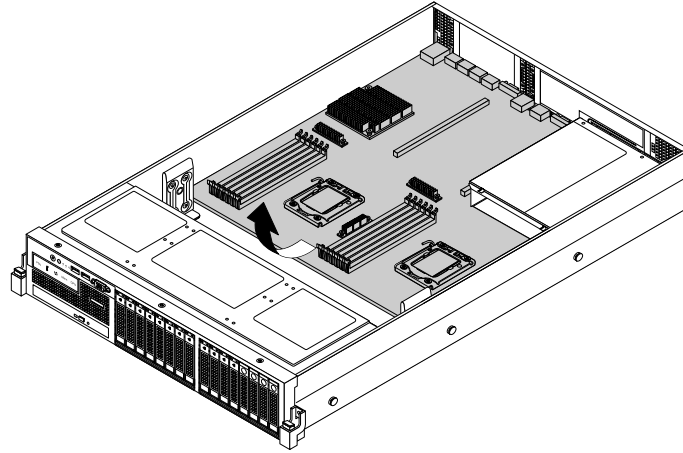


Figure 154. Removing the system board

16. Place the old system board on a clean, flat, and static-protective surface. Touch the static-protective package that contains the new system board to any unpainted surface on the outside of the server. Then, take the new system board out of the package.
17. Install the new system board into the chassis as shown. Ensure that the rear connectors on the new system board are inserted into the corresponding holes in the rear panel and the ten screw holes in the new system board are aligned with the corresponding mounting studs on the chassis.

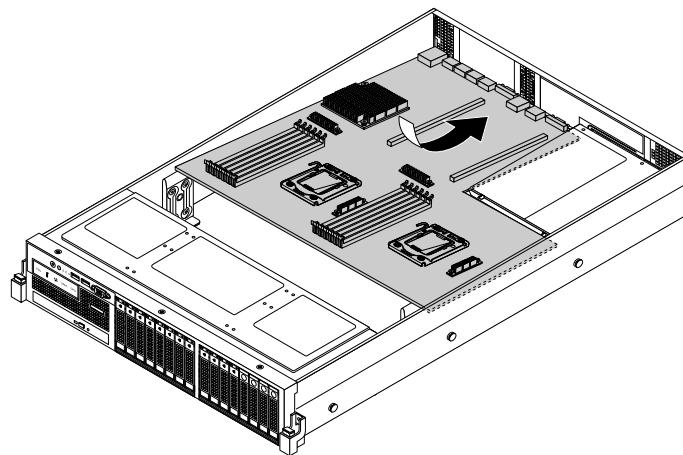


Figure 155. Installing the system board

18. Install the ten screws following the recommended numerical sequence as shown to secure the new system board on the chassis.

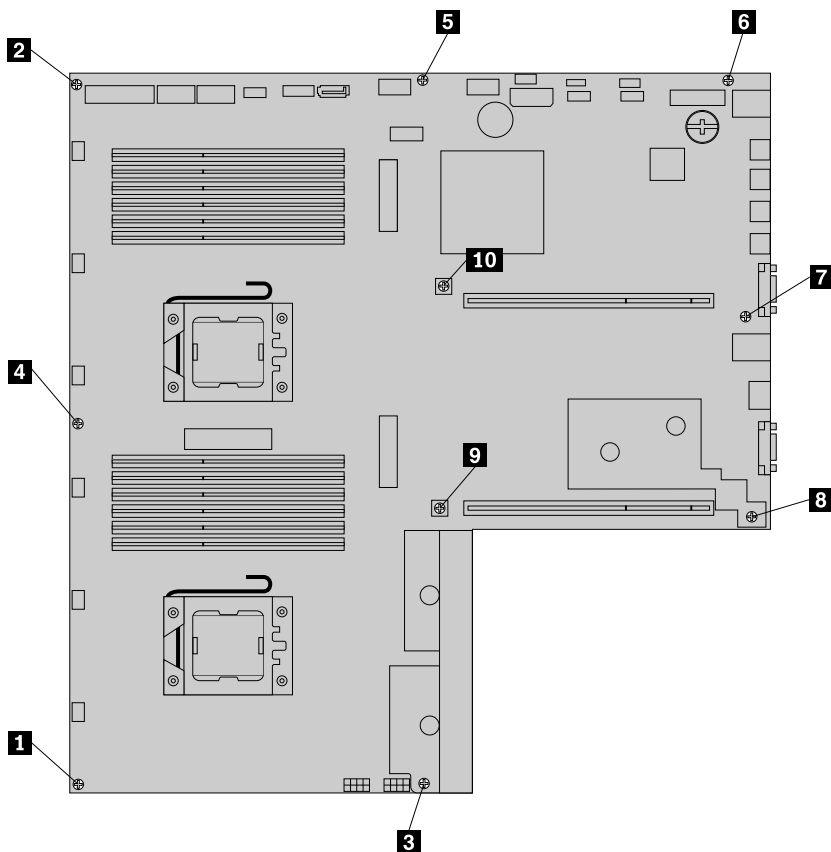


Figure 156. Installing the screws to secure the system board

19. Remove the microprocessors from the old system board and install them on the new system board. See “Installing or replacing the microprocessor” on page 139.
20. The old system board must be returned with two microprocessor socket covers to protect the pins on the microprocessor sockets during shipping and handling. Use the microprocessor socket covers removed from the new system board.

To install a microprocessor socket cover on the old system board, do the following:

- a. Ensure that the small handle and the microprocessor retainer are in the fully open position. See “Installing the second microprocessor” on page 139.

Note: Do not drop anything onto the microprocessor socket while it is exposed. The socket pins must be kept as clean as possible.

- b. Position the microprocessor socket cover above the microprocessor socket so that the small triangle **1** on the socket cover faces the small triangle **2** on the microprocessor retainer. Then, carefully press the socket cover straight down into the socket until it snaps into position.

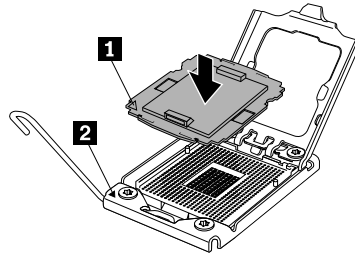


Figure 157. Installing the microprocessor socket cover

- c. Gently close the microprocessor retainer, press down the small handle, and then push the small handle inward to lock the retainer into position.

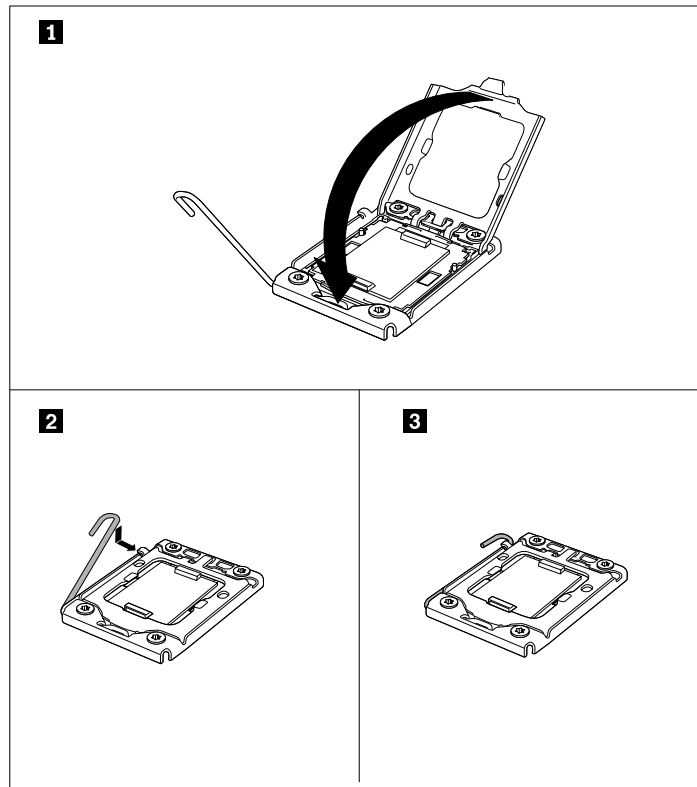


Figure 158. Securing the microprocessor retainer

21. Install the heat sinks on the new system board. See “Installing or replacing a heat sink” on page 137.
22. Install the memory modules on the new system board. See “Installing a memory module” on page 102.

23. Note the orientation of the power supply cooling shroud and install it into the chassis by inserting the two small tabs **1** on the bottom of the shroud into the corresponding holes **2** in the power supply cage.

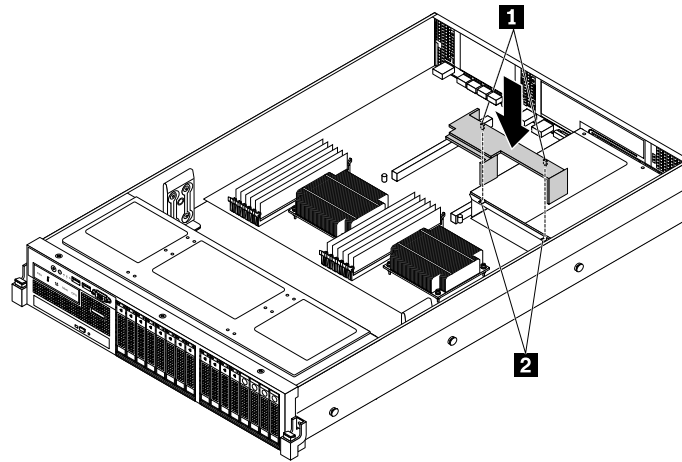


Figure 159. Installing the power supply cooling shroud

24. Install the coin-cell battery on the new system board. See “Replacing the coin-cell battery” on page 185.
25. If you have a TMM Premium, install the TMM Premium on the new system board. See “Installing the TMM Premium” on page 127.
26. If you have a TPM, install the TPM on the new system board. See “Installing the TPM” on page 130.
27. Install the two riser card assemblies on the new system board. See “Replacing the riser card assembly 1” on page 172 and “Replacing the riser card assembly 2” on page 174.
28. Note the orientation of the system fan cage. Align the left and right sides of the system fan cage with the corresponding mounting posts in the chassis. Then, press the system fan cage with the installed system fans straight down into the chassis until the system fan cage is correctly seated and the system fans are correctly connected to the system fan connectors on the system board.

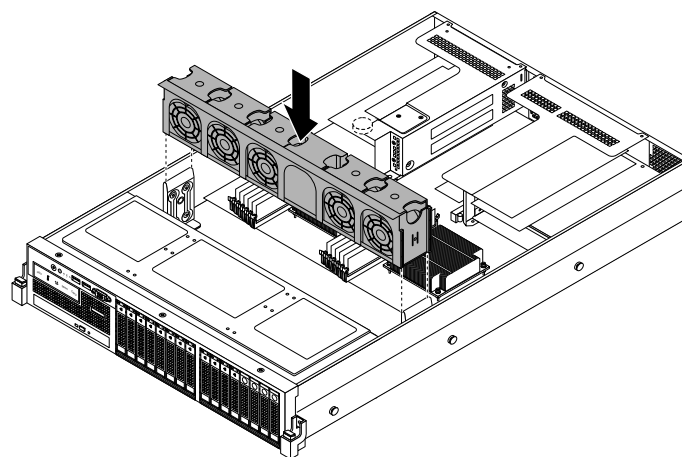


Figure 160. Installing the system fan cage with system fans

29. Install any other parts that you have removed and connect all cables to the new system board. Refer to the information that you have recorded and the related topics in “Installing, removing, or replacing hardware” on page 90.

30. If you are instructed to return the old system board, follow all packaging instructions and use any packaging materials that are supplied to you for shipping.

What to do next:

- To work with another piece of hardware, go to the appropriate section.
- To complete the replacement, go to “Completing the parts replacement” on page 195.
- After a system board is replaced, do the following:
 1. Start the Setup Utility program by pressing the F1 key, and then check the BIOS and BMC version.
 2. Go to <http://www.lenovo.com/drivers> and follow the instructions on the Web page to download the latest version of firmware. Then, install the firmware to your server.
 3. Update the machine type, model number, and serial number of the system board. Either you will be prompted to do this while upgrading the BIOS, or you can locate the files for updating the VPD within the DOS BIOS package. For some servers, the VPD utility is available for download at: <http://www.lenovo.com/drivers>.

Note: If you want to use the Firmware Updater program, ensure that it is the latest version. To get the latest version of the Firmware Updater program, go to <http://www.lenovo.com/drivers>, locate different versions of the program, and then identify the latest version by comparing readme files. If the latest version of the Firmware Updater program does not contain the latest version of the driver you need, download that driver separately from the Web page and install it individually to your server.

Completing the parts replacement

This topic provides instructions to help you complete the parts replacement and turn on your server.

To complete the parts replacement, you must properly route the cables inside the server, reinstall the server cover, reconnect all the external cables and, for some devices, update the firmware and run the Setup Utility program to do further setup.

Reinstalling the server cover and reconnecting cables

<p>Attention: Do not open your server or attempt any repair before reading and understanding “Safety information” on page iii and “Guidelines” on page 85.</p>

This topic provides instructions on how to reinstall the server cover and reconnect cables to your server.

Attention: For proper cooling and airflow, reinstall the server cover before turning on the server. Operating the server for extended periods of time (more than 30 minutes) with the server cover removed might damage server components.

Before you begin, print all the related instructions or ensure that you can view the PDF version on another computer for reference.

Note: Depending on the model, your server might look slightly different from the illustrations in this topic.

To reinstall the server cover and reconnect cables to your server, do the following:

1. Ensure that all components have been reassembled correctly and that no tools or loose screws are left inside your server.

2. Ensure that all internal cables are connected and routed correctly and secured by any cable clips or ties in the server. Keep cables clear of the hinges and sides of the chassis to avoid interference with reinstalling the cooling shroud and the server cover. The following illustration shows an example of the cable routing in the chassis with two backplanes for sixteen 2.5-inch hard disk drives.
 - Route the signal cables **1** through the left inner side of the chassis. The signal cables include the mini-SAS to mini-SAS signal cables, the front panel cable, the front panel USB cable, the diagnostic module cable, the SATA signal cable for the optical drive if your server has a slim optical drive installed, and the cable for the front VGA DB-15 connector.
 - If your server has a RAID card and an expander card installed, properly route the mini-SAS to mini-SAS signal cables **2** that are connected from the RAID card to the expander card.
 - Route the backplane power cables **3** through the right inner side of the chassis.
 - If your server has a slim optical drive installed, connect the power cable **4** for the optical drive to the optical drive power connector on the backplane and properly route the cable in the chassis.

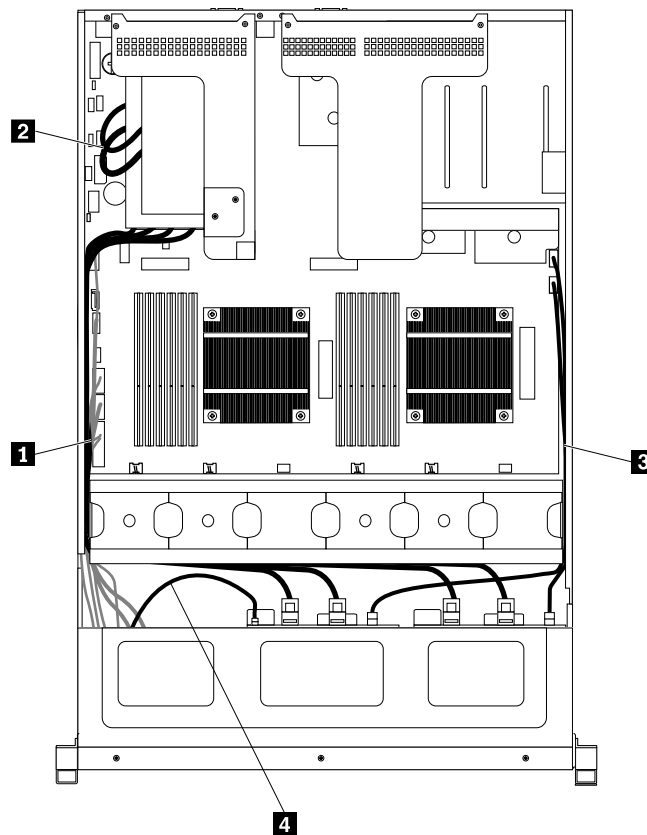


Figure 161. An example of cable routing (server models with sixteen 2.5-inch hard disk drives and two backplanes)

3. If you have removed the cooling shroud, reinstall it. See “Removing and reinstalling the cooling shroud” on page 95.
4. For server models with 2.5-inch hot-swap hard-disk-drive bays, if you have removed the front bezel, reinstall it. See “Removing and reinstalling the front bezel” on page 89.

5. Ensure that the cover latch is in the open position. Place the server cover above the chassis so that the cover latch is aligned with the cover latch slot in the chassis. Then, lower the server cover onto the chassis until the cover latch is inserted into its slot and both sides of the server cover engage the guides on both sides of the chassis.

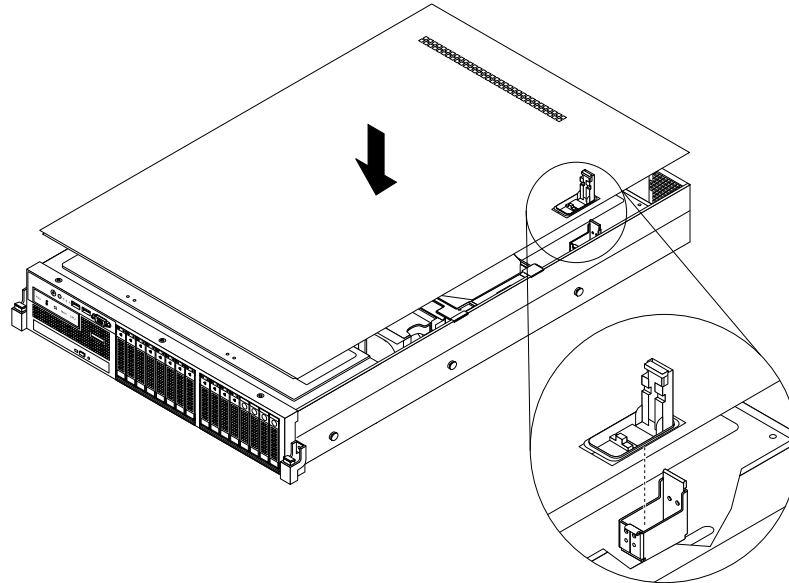


Figure 162. Installing the server cover

6. Pivot the cover latch **1** to the closed position and slide the server cover to the front of the chassis at the same time until the server cover snaps into position and the cover latch is closed.

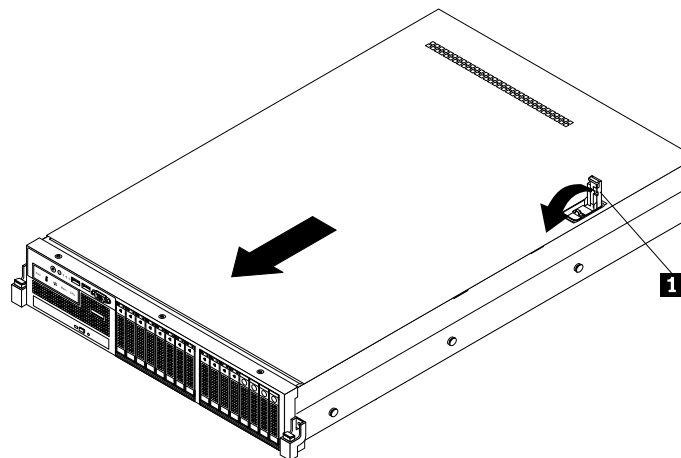


Figure 163. Closing the server cover completely

7. Install the server into a rack cabinet using the rail kit that comes with the server. See the *Rack Installation Instructions* that comes with the server.
8. Reconnect external cables and power cords to the server. See “Rear view of the server” on page 29 to identify the connectors on the rear panel of the server.

Attention: To avoid component damage, connect the power cords last.

Note: In most areas of the world, Lenovo requires the return of the defective CRU. Information about this will come with the CRU or will come a few days after the CRU arrives.

Updating the server configuration

When you turn on the server for the first time after you install, remove, or replace a device, you might need to update the server configuration.

Some optional devices have device drivers that you must install. For information about installing device drivers, use the documentation that comes with each optional device. To obtain the supported device drivers for your server from the Lenovo Support Web site, go to <http://www.lenovo.com/drivers> and follow the instructions on the Web page to find and download the device drivers you need.

Refer to the following information resources to update the server configuration:

- To update the BIOS configuration, see “Using the Setup Utility program” on page 63.
- To update the RAID configuration, see “Configuring RAID” on page 74.
- To use the ThinkServer EasyStartup program, see “Using the ThinkServer EasyStartup program” on page 71.
- To update your system firmware, see “Updating the firmware” on page 83.

Chapter 7. Troubleshooting and diagnostics

This chapter provides information about basic troubleshooting and diagnostic methods to help you solve problems that might occur in the server.

If you cannot diagnose and correct a problem by using the information in this chapter, see Chapter 8 “Getting information, help, and service” on page 205 for additional troubleshooting resources.

Troubleshooting procedure

Use the following information as a general procedure for diagnosing and troubleshooting problems you experience with your server:

1. Verify that the power cords and the cables for all attached devices are connected correctly and securely.
2. Verify that the server and all attached devices that require ac power are connected to properly grounded, functioning electrical outlets.
3. Verify that all installed hardware and attached devices are enabled in the BIOS settings of your server. For more information about accessing and changing the BIOS settings, see “Using the Setup Utility program” on page 63.
4. View the status and diagnostic LEDs to identify the system and device status and diagnose problems. See “Viewing the status and diagnostic LEDs” on page 199.
5. If the server is not working after you have added new software, installed a new optional device, or replaced a piece of hardware, remove or reinstall the software, device, or hardware to see if the problem could be solved.
6. View the system event log to diagnose problems. See “Viewing the system event log” on page 200.
7. Turn on the server and press Esc as soon as you see the logo screen to view any diagnostic messages.
8. Download and use a diagnostic program to diagnose problems. See “Using a diagnostic program” on page 200.
9. Refer to “Basic troubleshooting tables” on page 200 and follow the instructions for the type of problem you are experiencing. If the basic troubleshooting information does not help you resolve a problem, continue with the next step.
10. Try using a previous server configuration to see if a recent change to hardware or software settings has caused a problem. Before restoring your previous configuration, capture your current configuration in case the older configuration settings do not solve the problem or have adverse effect.
11. Use an antivirus program to see if your server has been infected by a virus. If the program detects a virus, remove the virus.
12. If none of these actions solve the problem, seek technical assistance. See Chapter 8 “Getting information, help, and service” on page 205.

Viewing the status and diagnostic LEDs

Your server has status and diagnostic LEDs on the front and rear of the chassis, the system board, the hot-swap hard disk drives, the hot-swap redundant power supplies, and the optical drive (some models). The various LEDs help you easily identify the system and device status and diagnose problems. For information about the LEDs, refer to the related topics in “Locations” on page 14.

Using a diagnostic program

The following diagnostic programs are available for you to diagnose server problems:

- ThinkServer Diagnostic Tool
- ThinkServer System Profile Collection Tool

To use a diagnostic program, do the following:

1. Go to <http://www.lenovo.com/drivers> and follow the instructions on the Web page to locate a diagnostic program.
2. Download and unzip the diagnostic program package to get the diagnostic program package folder.
3. Open the diagnostic program package folder and run the QTW.exe file.
4. Select the language when prompted. Then, click **Continue**.
5. Read the End-User License Agreement (EULA) terms carefully and click **Accept** to start the program.
6. Follow the instructions on the screen to use the diagnostic program.

For detailed information about using a diagnostic program, refer to the user guide of the diagnostic program, which is available for download at:
<http://www.lenovo.com/drivers>

Viewing the system event log

The system event log (SEL) contains information about all the POST and system management interrupt (SMI) events. You can view the SEL to diagnose system problems.

The TMM implements the SEL as specified in the IPMI 2.0 specification. The SEL is accessible regardless of the system power state through the TMM in-band and out-of-band interfaces.

For more information about viewing the SEL, refer to the *ThinkServer Management Module User Guide*, which is available for download at:
<http://www.lenovo.com/UserManuals>

Basic troubleshooting tables

Use the basic troubleshooting information to find solutions to problems that have definite symptoms.

ThinkServer EasyStartup program problems

Follow the suggested actions for the corresponding symptom in the order in which they are listed until the problem is solved. If none of these actions solve the problem, see “Troubleshooting procedure” on page 199 for the subsequent steps you should check after using the information in this topic. If the problem still cannot be solved, seek technical assistance. See Chapter 8 “Getting information, help, and service” on page 205.

Note: If you are instructed to remove, install, or replace any CRUs, refer to the related procedure in Chapter 6 “Installing, removing, or replacing hardware” on page 85.

Symptom	Action
The <i>ThinkServer EasyStartup</i> DVD does not start.	<ol style="list-style-type: none"> 1. Ensure that the server supports the ThinkServer EasyStartup program and has a bootable DVD drive installed or a bootable external DVD drive attached. 2. Ensure that you have set the optical drive with the <i>ThinkServer EasyStartup</i> DVD installed as the first startup device. See “Selecting a startup device” on page 68. 3. Verify if the optical drive or the disc has problems. See “Optical drive problems” on page 201.
The operating system installation program continuously loops.	Make more space available on the hard disk drive.
The ThinkServer EasyStartup program cannot start the operating system medium.	<ol style="list-style-type: none"> 1. Ensure that the operating system medium is supported by the ThinkServer EasyStartup program version you are using. For a list of supported operating systems, refer to the user guide and compatibility notes for the ThinkServer EasyStartup program through the program main interface. See “Starting the ThinkServer EasyStartup program” on page 72. 2. Verify if the optical drive or the disc has problems. See “Optical drive problems” on page 201.

Optical drive problems

Follow the suggested actions for the corresponding symptom in the order in which they are listed until the problem is solved. If none of these actions solve the problem, see “Troubleshooting procedure” on page 199 for the subsequent steps you should check after using the information in this topic. If the problem still cannot be solved, seek technical assistance. See Chapter 8 “Getting information, help, and service” on page 205.

Notes:

- If you are instructed to remove, install, or replace any CRUs, refer to the related procedure in Chapter 6 “Installing, removing, or replacing hardware” on page 85.
- If an action step is preceded by “(Trained service technician only),” this action step is reserved for a trained service technician and must be performed only by a trained service technician.

Symptom	Action
The internal optical drive is not recognized.	<ol style="list-style-type: none"> 1. Ensure that: <ul style="list-style-type: none"> • The related cables and connectors are not damaged and the connector pins are not bent. • The optical drive is securely connected to the correct SATA connector on the system board and the SATA connector is enabled in the Setup Utility program. See “Using the Setup Utility program” on page 63. • All cables and jumpers (if any) are installed correctly. • The correct device driver is installed for the optical drive. 2. Run any optical drive diagnostic programs if you have. 3. Reinstall the optical drive and reconnect cables.

Symptom	Action
	<ol style="list-style-type: none"> 4. Replace the signal cable for the optical drive. 5. Replace the power cable for the optical drive. 6. Replace the power cable for the backplane. 7. Replace the optical drive. 8. Replace the backplane. 9. (Trained service technician only) Replace the system board.
A disc is not working correctly.	<ol style="list-style-type: none"> 1. Ensure that the disc is in the optical drive with the shiny side facing down. 2. Ensure that the disc surface is clean and not scratched. 3. Check the disc or package for regional coding. You might need to purchase a disc with coding for the region where you are using the product. 4. Restart the disc player program. 5. Restart the server. 6. Run any optical drive diagnostic programs if you have. 7. Reinstall the optical drive and reconnect cables. 8. Replace the signal cable for the optical drive. 9. Replace the optical drive.

Hard-disk-drive problems

Follow the suggested actions for the corresponding symptom in the order in which they are listed until the problem is solved. If none of these actions solve the problem, see “Troubleshooting procedure” on page 199 for the subsequent steps you should check after using the information in this topic. If the problem still cannot be solved, seek technical assistance. See Chapter 8 “Getting information, help, and service” on page 205.

Notes:

- If you are instructed to remove, install, or replace any CRUs, refer to the related procedure in Chapter 6 “Installing, removing, or replacing hardware” on page 85.
- The status LEDs on each hot-swap hard disk drive help you easily identify a problem. See “Hot-swap hard-disk-drive status LEDs” on page 39.

Symptom	Action
A newly installed hot-swap hard disk drive is not recognized.	<ol style="list-style-type: none"> 1. Ensure that the drive is installed into the correct drive bay. 2. Restart the server. 3. Remove the drive from the bay, wait 45 seconds, and reinsert the drive into the bay. Ensure that the drive connects to the hot-swap hard-disk-drive backplane. 4. Run any diagnostic programs to test the hard disk drive if you have. 5. Ensure that the hot-swap hard-disk-drive backplane is correctly seated. When it is correctly seated, the drive assemblies correctly connect to the backplane without bowing or causing movement of the backplane.

Symptom	Action
	<ol style="list-style-type: none"> 6. Ensure that the cable connection is correct. See “Connecting the cables” on page 47. 7. Reconnect the backplane power cable and repeat step 1 through step 4. 8. Reconnect the backplane signal cable and repeat step 1 through step 4. 9. If you suspect a problem with the backplane signal cable or the backplane: <ol style="list-style-type: none"> a. Replace the affected backplane signal cable. b. Replace the affected backplane.
Multiple hard disk drives fail.	<ol style="list-style-type: none"> 1. Ensure that the cable connection is correct. See “Connecting the cables” on page 47. 2. Reconnect the power cables. 3. Reconnect the signal cables. 4. Replace the affected signal cables. 5. If you suspect a problem with the backplane, replace the affected backplane.

Memory module problems

Follow the suggested actions for the corresponding symptom in the order in which they are listed until the problem is solved. If none of these actions solve the problem, see “Troubleshooting procedure” on page 199 for the subsequent steps you should check after using the information in this topic. If the problem still cannot be solved, seek technical assistance. See Chapter 8 “Getting information, help, and service” on page 205.

Notes:

- If you are instructed to remove, install, or replace any CRUs, refer to the related procedure in Chapter 6 “Installing, removing, or replacing hardware” on page 85.
- If an action step is preceded by “(Trained service technician only),” this action step is reserved for a trained service technician and must be performed only by a trained service technician.

Symptom	Action
The amount of system memory that is displayed is less than the total capacity of the installed physical memory modules and you suspect a memory module problem.	<ol style="list-style-type: none"> 1. Ensure that: <ul style="list-style-type: none"> • All memory modules are the correct type supported by the server. See “Memory module installation rules” on page 99. • You followed the memory module installation rules. See “Memory module installation rules” on page 99. • All memory modules are seated correctly and securely. • The system firmware is up-to-date. 2. Reinstall the memory modules. 3. Replace the suspect memory modules. 4. (Trained service technician only) Replace the system board.

Keyboard, mouse, and USB device problems

Follow the suggested actions for the corresponding symptom in the order in which they are listed until the problem is solved. If none of these actions solve the problem, see “Troubleshooting procedure” on page 199 for the subsequent steps you should check after using the information in this topic.

Symptom	Action
All or some keys on the keyboard do not work.	<ol style="list-style-type: none"> 1. Ensure that: <ul style="list-style-type: none"> • The USB keyboard cable is securely connected to a USB connector on the server. If the USB keyboard is connected to a USB hub, disconnect the keyboard from the hub and connect it directly to the server. • No keys are stuck. • The USB controller is enabled in the Setup Utility program. See “Using the Setup Utility program” on page 63. 2. Restart the server. 3. Replace the keyboard.
The mouse or pointing device does not work.	<ol style="list-style-type: none"> 1. Ensure that: <ul style="list-style-type: none"> • The mouse or pointing device cable is securely connected to the server. If the USB mouse or pointing device is connected to a USB hub, disconnect the mouse or pointing device from the hub and connect it directly to the server. • The mouse or pointing device is clean and no dust accumulates. • The device drivers are installed correctly. • The USB controller is enabled in the Setup Utility program. See “Using the Setup Utility program” on page 63. 2. Restart the server. 3. Replace the mouse or pointing device.
A USB device does not work.	<ol style="list-style-type: none"> 1. Ensure that: <ul style="list-style-type: none"> • The USB cable is securely connected to the server. If the USB device is connected to a USB hub, disconnect the device from the hub and connect it directly to the server. • The device drivers are installed correctly. • The USB controller is enabled in the Setup Utility program. See “Using the Setup Utility program” on page 63. 2. Restart the server. 3. Replace the USB device.

Chapter 8. Getting information, help, and service

This chapter contains information about help, service, and technical assistance for products manufactured by Lenovo and where to go for additional information about Lenovo and Lenovo products.

Information resources

You can use the information in this topic to access useful resources relating to your needs when using the product.

Using the documentation

Information about your Lenovo system and installed software, if any, or optional devices is available in the documentation that comes with the product. The documentation can include printed documents, online documents, readme files, and help files. Most of the documentation for your server is on the documentation DVD provided with your server. Refer to the troubleshooting information in your server *User Guide* for instructions on how to diagnose problems and do basic troubleshooting. The troubleshooting and diagnostics information might tell you that you need additional or updated device drivers or other software. Lenovo maintains pages on the World Wide Web where you can get the latest technical information and download documentation or device drivers and updates. To access the Lenovo Support Web site, go to: <http://www.lenovo.com/support>

For more information about your server documentation, see “Server documentation” on page 2.

If you suspect a software problem, refer to the documentation, including readme files and online help, that comes with the operating system or software program.

ThinkServer Web site

The ThinkServer Web site provides up-to-date information and services to help you buy, use, upgrade, and maintain your server. You also can do the following by visiting the ThinkServer Web site at: <http://www.lenovo.com/thinkserver>

- Shop for servers as well as upgrades and accessories for your server.
- Purchase additional services and software.
- Purchase upgrades and extended hardware repair services.
- Access the Lenovo Limited Warranty (LLW).
- Access the online manuals for your products.
- Access troubleshooting and support information for your server model and other supported products.
- Download the latest device drivers and software updates for your server model.
- Find the service and support phone numbers for your country or region.
- Find a Service Provider located near you.

Lenovo Support Web site

Technical support information is available on the Lenovo Support Web site at: <http://www.lenovo.com/support>

This Web site is updated with the latest support information such as the following:

- Drivers and software

- Diagnostic solutions
 - Product and service warranty
 - Product and parts details
 - User guides and manuals
 - Knowledge base and frequently asked questions
-

Help and service

This topic contains information about obtaining help and service.

Before you call

Before you call, do the following to try to solve the problem by yourself:

- Check all cables to ensure that they are connected.
- Check the power buttons to ensure that the system and optional devices are turned on.
- Use the troubleshooting information in your system documentation on the documentation DVD that comes with your product.
- Check for the updated information, new device drivers, and hints and tips on the Lenovo Support Web site at:
<http://www.lenovo.com/support>

If possible, be at your product when you call. Have the following information available:

- Machine type and model
- Serial numbers of your Lenovo hardware products
- Description of the problem
- Exact wording of any error messages
- Hardware and software configuration information

Calling for service

During the warranty period, you can get help and information by telephone through the Customer Support Center.

The following services are available during the warranty period:

- **Problem determination** - Trained service personnel are available to assist you with determining a hardware problem and deciding what action is necessary to fix the problem.
- **Hardware repair** - If the problem is caused by hardware under warranty, trained service personnel are available to provide the applicable level of service.
- **Engineering Change management** - There might be changes that are required after a product has been sold. Lenovo or your reseller will make selected Engineering Changes (ECs) that apply to your hardware available.

The warranty does not cover the following:

- Replacement or use of parts not manufactured for or by Lenovo or non-warranted Lenovo parts
- Identification of software problem sources
- Configuration of the Unified Extensible Firmware Interface (UEFI) BIOS as part of an installation or upgrade
- Changes, modifications, or upgrades to device drivers
- Installation and maintenance of network operating systems (NOS)
- Installation and maintenance of application programs

For the warranty type and duration for your product, refer to the *Safety, Warranty, and Support Information* on the documentation DVD that comes with your server. You must retain your proof of purchase to obtain warranty service.

For warranty service, consult the worldwide Lenovo Support telephone list. Telephone numbers are subject to change without notice. The most up-to-date telephone list for Lenovo Support is always available on the Web site at <http://www.lenovo.com/support/phone>. If the telephone number for your country or region is not listed, contact your Lenovo reseller or Lenovo marketing representative.

Using other services

If you travel with a Lenovo notebook computer or relocate your computer to a country where your desktop, notebook, or server machine type is sold, your computer might be eligible for International Warranty Service, which automatically entitles you to obtain warranty service throughout the warranty period. Service will be performed by service providers authorized to perform warranty service.

Service methods and procedures vary by country, and some services might not be available in all countries. International Warranty Service is delivered through the method of service (such as depot, carry-in, or on-site service) that is provided in the servicing country. Service centers in certain countries might not be able to service all models of a particular machine type. In some countries, fees and restrictions might apply at the time of service.

To determine whether your computer is eligible for International Warranty Service and to view a list of the countries where service is available, go to <http://www.lenovo.com/support>, click **Warranty**, and follow the instructions on the screen.

For technical assistance with the installation of or questions related to Service Packs for your installed Windows product, refer to the Microsoft Product Support Services Web site at <http://support.microsoft.com/directory> or you can contact the Customer Support Center. Some fees might apply.

Purchasing additional services

During and after the warranty period, you can purchase additional services, such as support for hardware, operating systems, and application programs; network setup and configuration services; upgraded or extended hardware repair services; and custom installation services. Service availability and service names might vary by country or region. For more information about these services, go to the Lenovo Web site at: <http://www.lenovo.com>

Appendix A. Notices

Lenovo may not offer the products, services, or features discussed in this document in all countries. Consult your local Lenovo representative for information on the products and services currently available in your area. Any reference to a Lenovo product, program, or service is not intended to state or imply that only that Lenovo product, program, or service may be used. Any functionally equivalent product, program, or service that does not infringe any Lenovo intellectual property right may be used instead. However, it is the user's responsibility to evaluate and verify the operation of any other product, program, or service.

Lenovo may have patents or pending patent applications covering subject matter described in this document. The furnishing of this document does not give you any license to these patents. You can send license inquiries, in writing, to:

*Lenovo (United States), Inc.
1009 Think Place - Building One
Morrisville, NC 27560
U.S.A.
Attention: Lenovo Director of Licensing*

LENOVO PROVIDES THIS PUBLICATION "AS IS" WITHOUT WARRANTY OF ANY KIND, EITHER EXPRESS OR IMPLIED, INCLUDING, BUT NOT LIMITED TO, THE IMPLIED WARRANTIES OF NON-INFRINGEMENT, MERCHANTABILITY OR FITNESS FOR A PARTICULAR PURPOSE. Some jurisdictions do not allow disclaimer of express or implied warranties in certain transactions, therefore, this statement may not apply to you.

This information could include technical inaccuracies or typographical errors. Changes are periodically made to the information herein; these changes will be incorporated in new editions of the publication. Lenovo may make improvements and/or changes in the product(s) and/or the program(s) described in this publication at any time without notice.

The products described in this document are not intended for use in implantation or other life support applications where malfunction may result in injury or death to persons. The information contained in this document does not affect or change Lenovo product specifications or warranties. Nothing in this document shall operate as an express or implied license or indemnity under the intellectual property rights of Lenovo or third parties. All information contained in this document was obtained in specific environments and is presented as an illustration. The result obtained in other operating environments may vary.

Lenovo may use or distribute any of the information you supply in any way it believes appropriate without incurring any obligation to you.

Any references in this publication to non-Lenovo Web sites are provided for convenience only and do not in any manner serve as an endorsement of those Web sites. The materials at those Web sites are not part of the materials for this Lenovo product, and use of those Web sites is at your own risk.

Any performance data contained herein was determined in a controlled environment. Therefore, the result obtained in other operating environments may vary significantly. Some measurements may have been made on development-level systems and there is no guarantee that these measurements will be the same on generally available systems. Furthermore, some measurements may have been estimated through extrapolation. Actual results may vary. Users of this document should verify the applicable data for their specific environment.

Trademarks

Lenovo, the Lenovo logo, and ThinkServer are trademarks of Lenovo in the United States, other countries, or both.

Intel and Intel Xeon are trademarks of Intel Corporation in the United States, other countries, or both.

Internet Explorer, Microsoft, Windows, and Windows Server are trademarks of the Microsoft group of companies.

Linux is a registered trademark of Linus Torvalds.

Other company, product, or service names may be trademarks or service marks of others.

Important notes

Processor speed indicates the internal clock speed of the microprocessor; other factors also affect application performance.

CD or DVD drive speed is the variable read rate. Actual speeds vary and are often less than the possible maximum.

When referring to processor storage, real and virtual storage, or channel volume, KB stands for 1 024 bytes, MB stands for 1 048 576 bytes, and GB stands for 1 073 741 824 bytes.

When referring to hard-disk-drive capacity or communications volume, MB stands for 1 000 000 bytes, and GB stands for 1 000 000 000 bytes. Total user-accessible capacity can vary depending on operating environments.

Maximum internal hard-disk-drive capacities assume the replacement of any standard hard disk drives and population of all hard-disk-drive bays with the largest currently supported drives that are available from Lenovo.

Maximum memory might require replacement of the standard memory with an optional memory module.

Lenovo makes no representations or warranties with respect to non-Lenovo products. Support (if any) for the non-Lenovo products is provided by the third party, not Lenovo.

Some software might differ from its retail version (if available) and might not include user manuals or all program functionality.

Polyvinyl Chloride (PVC) cable and cord notice

WARNING: Handling the cord on this product or cords associated with accessories sold with this product will expose you to lead, a chemical known to the State of California to cause cancer, and birth defects or other reproductive harm. ***Wash hands after handling.***

Recycling information

Lenovo encourages owners of information technology (IT) equipment to responsibly recycle their equipment when it is no longer needed. Lenovo offers a variety of programs and services to assist equipment owners in recycling their IT products. For information on recycling Lenovo products, go to:
<http://www.lenovo.com/recycling>

Battery return program

This product may contain a lithium or lithium ion battery. Consult your user manual or service manual for specific battery information. The battery must be recycled or disposed of properly. Recycling facilities may not be available in your area. For information on disposal or batteries outside the United States, go to <http://www.lenovo.com/recycling> or contact your local waste disposal facility.

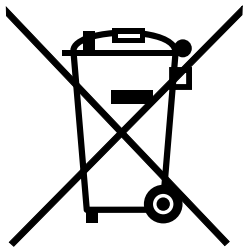
Battery recycling information for the United States and Canada



US & Canada Only

Battery recycling information for the European Union

EU



Notice: This mark applies only to countries within the European Union (EU).

Batteries or packaging for batteries are labeled in accordance with European Directive 2006/66/EC concerning batteries and accumulators and waste batteries and accumulators. The Directive determines the framework for the return and recycling of used batteries and accumulators as applicable throughout the European Union. This label is applied to various batteries to indicate that the battery is not to be thrown away, but rather reclaimed upon end of life per this Directive.

In accordance with the European Directive 2006/66/EC, batteries and accumulators are labeled to indicate that they are to be collected separately and recycled at end of life. The label on the battery may also include a chemical symbol for the metal concerned in the battery (Pb for lead, Hg for mercury, and Cd for cadmium). Users of batteries and accumulators must not dispose of batteries and accumulators as unsorted municipal waste, but use the collection framework available to customers for the return, recycling, and treatment of batteries and accumulators. Customer participation is important to minimize any potential effects of batteries and accumulators on the environment and human health due to the potential presence of hazardous substances. For proper collection and treatment, go to: <http://www.lenovo.com/recycling>

Requirement for batteries containing perchlorate

The following statement applies to users in the state of California, U.S.A.

California Perchlorate Information:

Products containing manganese dioxide lithium coin cell batteries may contain perchlorate.

Perchlorate Material - special handling may apply, See <http://www.dtsc.ca.gov/hazardouswaste/perchlorate>

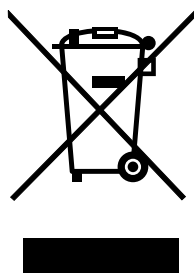
Particulate contamination

Attention: Airborne particulates (including metal flakes or particles) and reactive gases acting alone or in combination with other environmental factors such as humidity or temperature might pose a risk to the server that is described in this document. Risks that are posed by the presence of excessive particulate levels or concentrations of harmful gases include damage that might cause the server to malfunction or cease functioning altogether. This specification sets forth limits for particulates and gases that are intended to avoid such damage. The limits must not be viewed or used as definitive limits, because numerous other factors, such as temperature or moisture content of the air, can influence the impact of particulates or environmental corrosives and gaseous contaminant transfer. In the absence of specific limits that are set forth in this document, you must implement practices that maintain particulate and gas levels that are consistent with the protection of human health and safety. If Lenovo determines that the levels of particulates or gases in your environment have caused damage to the server, Lenovo may condition provision of repair or replacement of servers or parts on implementation of appropriate remedial measures to mitigate such environmental contamination. Implementation of such remedial measures is a customer responsibility.

Table 5. Limits for particulates and gases

Contaminant	Limits
Particulate	<ul style="list-style-type: none"> The room air must be continuously filtered with 40% atmospheric dust spot efficiency (MERV 9) according to ASHRAE Standard 52.2¹. Air that enters a data center must be filtered to 99.97% efficiency or greater, using high-efficiency particulate air (HEPA) filters that meet MIL-STD-282. The deliquescent relative humidity of the particulate contamination must be more than 60%². The room must be free of conductive contamination such as zinc whiskers.
Gaseous	<ul style="list-style-type: none"> Copper: Class G1 as per ANSI/ISA 71.04-1985³ Silver: Corrosion rate of less than 300 Å in 30 days
<p>¹ ASHRAE 52.2-2008 - <i>Method of Testing General Ventilation Air-Cleaning Devices for Removal Efficiency by Particle Size</i>. Atlanta: American Society of Heating, Refrigerating and Air-Conditioning Engineers, Inc.</p> <p>² The deliquescent relative humidity of particulate contamination is the relative humidity at which the dust absorbs enough water to become wet and promote ionic conduction.</p> <p>³ ANSI/ISA-71.04-1985. <i>Environmental conditions for process measurement and control systems: Airborne contaminants</i>. Instrument Society of America, Research Triangle Park, North Carolina, U.S.A.</p>	

Important WEEE information



The WEEE marking on Lenovo products applies to countries with WEEE and e-waste regulations (for example, European Directive 2002/96/EC, India E-Waste Management & Handling Rules, 2011). Appliances are labeled in accordance with local regulations concerning waste electrical and electronic equipment (WEEE). These regulations determine the framework for the return and recycling of used appliances as applicable

within each geography. This label is applied to various products to indicate that the product is not to be thrown away, but rather put in the established collection systems for reclaiming these end of life products.

Users of electrical and electronic equipment (EEE) with the WEEE marking must not dispose of end of life EEE as unsorted municipal waste, but use the collection framework available to them for the return, recycle, and recovery of WEEE and to minimize any potential effects of EEE on the environment and human health due to the presence of hazardous substances. For additional WEEE information go to: <http://www.lenovo.com/recycling>

European Union RoHS

Lenovo products sold in the European Union, on or after 3 January 2013 meet the requirements of Directive 2011/65/EU on the restriction of the use of certain hazardous substances in electrical and electronic equipment (“RoHS recast” or “RoHS 2”).

For more information about Lenovo progress on RoHS, go to: http://www.lenovo.com/social_responsibility/us/en/RoHS_Communication.pdf

German Ordinance for Work gloss statement

The product is not suitable for use with visual display work place devices according to clause 2 of the German Ordinance for Work with Visual Display Units.

Das Produkt ist nicht für den Einsatz an Bildschirmarbeitsplätzen im Sinne § 2 der Bildschirmarbeitsverordnung geeignet.

Export classification notice

This product is subject to the United States Export Administration Regulations (EAR) and has an Export Classification Control Number (ECCN) of 4A994.b. It can be re-exported except to any of the embargoed countries in the EAR E1 country list.

Electronic emission notices

The following information refers to the Lenovo ThinkServer machine types 70AE, 70AF, 70AG, 70AH, 70AJ, 70AK, 70B2, and 70B3.

Federal Communications Commission (FCC) Statement

This equipment has been tested and found to comply with the limits for a Class A digital device, pursuant to Part 15 of the FCC Rules. These limits are designed to provide reasonable protection against harmful interference when the equipment is operated in a commercial environment. This equipment generates, uses, and can radiate radio frequency energy and, if not installed and used in accordance with the instruction manual, may cause harmful interference to radio communications. Operation of this equipment in a residential area is likely to cause harmful interference in which case the user will be required to correct the interference at his own expense.

Properly shielded and grounded cables and connectors must be used in order to meet FCC emission limits. Lenovo is not responsible for any radio or television interference caused by using other than specified or recommended cables and connectors or by unauthorized changes or modifications to this equipment. Unauthorized changes or modifications could void the user's authority to operate the equipment.

This device complies with Part 15 of the FCC Rules. Operation is subject to the following two conditions: (1) this device may not cause harmful interference, and (2) this device must accept any interference received, including interference that may cause undesired operation.

Industry Canada Class A emission compliance statement

This Class A digital apparatus complies with Canadian ICES-003.

Cet appareil numérique de la classe A est conforme à la norme NMB-003 du Canada.

United Kingdom telecommunications safety requirement

Notice to Customers

This apparatus is approved under approval number NS/G/1234/J/100003 for indirect connection to public telecommunication systems in the United Kingdom.

European Union - Compliance to the Electromagnetic Compatibility Directive

This product is in conformity with the protection requirements of EU Council Directive 2004/108/EC on the approximation of the laws of the Member States relating to electromagnetic compatibility. Lenovo cannot accept responsibility for any failure to satisfy the protection requirements resulting from a non-recommended modification of the product, including the installation of option cards from other manufacturers.

This product has been tested and found to comply with the limits for Class A Information Technology Equipment according to European Standard EN 55022. The limits for Class A equipment were derived for commercial and industrial environments to provide reasonable protection against interference with licensed communication equipment.

Lenovo, Einsteinova 21, 851 01 Bratislava, Slovakia



Warning: This is a Class A product. In a domestic environment this product may cause radio interference in which case the user may be required to take adequate measures.

German Class A compliance statement

Deutschsprachiger EU Hinweis:

Hinweis für Geräte der Klasse A EU-Richtlinie zur Elektromagnetischen Verträglichkeit

Dieses Produkt entspricht den Schutzanforderungen der EU-Richtlinie 2004/108/EG (früher 89/336/EWG) zur Angleichung der Rechtsvorschriften über die elektromagnetische Verträglichkeit in den EU-Mitgliedsstaaten und hält die Grenzwerte der EN 55022 Klasse A ein.

Um dieses sicherzustellen, sind die Geräte wie in den Handbüchern beschrieben zu installieren und zu betreiben. Des Weiteren dürfen auch nur von der Lenovo empfohlene Kabel angeschlossen werden. Lenovo übernimmt keine Verantwortung für die Einhaltung der Schutzanforderungen, wenn das Produkt ohne Zustimmung der Lenovo verändert bzw. wenn Erweiterungskomponenten von Fremdherstellern ohne Empfehlung der Lenovo gesteckt/eingebaut werden.

Deutschland:

Einhaltung des Gesetzes über die elektromagnetische Verträglichkeit von Betriebsmitteln

Dieses Produkt entspricht dem „Gesetz über die elektromagnetische Verträglichkeit von Betriebsmitteln“ EMVG (früher „Gesetz über die elektromagnetische Verträglichkeit von Geräten“). Dies ist die Umsetzung der EU-Richtlinie 2004/108/EG (früher 89/336/EWG) in der Bundesrepublik Deutschland.

Zulassungsbescheinigung laut dem Deutschen Gesetz über die elektromagnetische Verträglichkeit von Betriebsmitteln, EMVG vom 20. Juli 2007 (früher Gesetz über die elektromagnetische Verträglichkeit von Geräten), bzw. der EMV EG Richtlinie 2004/108/EC (früher 89/336/EWG), für Geräte der Klasse A.

Dieses Gerät ist berechtigt, in Übereinstimmung mit dem Deutschen EMVG das EG-Konformitätszeichen - CE - zu führen. Verantwortlich für die Konformitätserklärung nach Paragraf 5 des EMVG ist die Lenovo (Deutschland) GmbH, Gropiusplatz 10, D-70563 Stuttgart.

Informationen in Hinsicht EMVG Paragraf 4 Abs. (1) 4:

Das Gerät erfüllt die Schutzanforderungen nach EN 55024 und EN 55022 Klasse A.

Nach der EN 55022: „Dies ist eine Einrichtung der Klasse A. Diese Einrichtung kann im Wohnbereich Funkstörungen verursachen; in diesem Fall kann vom Betreiber verlangt werden, angemessene Maßnahmen durchzuführen und dafür aufzukommen.“

Nach dem EMVG: „Geräte dürfen an Orten, für die sie nicht ausreichend entstört sind, nur mit besonderer Genehmigung des Bundesministers für Post und Telekommunikation oder des Bundesamtes für Post und Telekommunikation betrieben werden. Die Genehmigung wird erteilt, wenn keine elektromagnetischen Störungen zu erwarten sind.“ (Auszug aus dem EMVG, Paragraph 3, Abs. 4). Dieses Genehmigungsverfahren ist nach Paragraph 9 EMVG in Verbindung mit der entsprechenden Kostenverordnung (Amtsblatt 14/93) kostenpflichtig.

Anmerkung: Um die Einhaltung des EMVG sicherzustellen sind die Geräte, wie in den Handbüchern angegeben, zu installieren und zu betreiben.

Eurasian compliance mark



ENERGY STAR model information



ENERGY STAR® is a joint program of the U.S. Environmental Protection Agency and the U.S. Department of Energy aimed at saving money and protecting the environment through energy efficient products and practices.

Lenovo is proud to offer our customers products with an ENERGY STAR compliant designation. Some models of the following machine types have been designed and tested to conform to the ENERGY STAR program requirement for computer servers at the time of manufacture: 70AE, 70AF, 70AG, 70AH, 70AJ, 70AK, 70B2, and 70B3.

For more information about ENERGY STAR ratings for Lenovo servers, go to <http://www.lenovo.com>.

By using ENERGY STAR compliant products and taking advantage of the power-management features of your server, you reduce the consumption of electricity. Reduced electrical consumption contributes to potential financial savings, a cleaner environment, and the reduction of greenhouse gas emissions.

For more information about ENERGY STAR, go to:
<http://www.energystar.gov>

Lenovo encourages you to make efficient use of energy an integral part of your day-to-day operations. To help in this endeavor, set the following power-management features to take effect when your servers have been used:

- Processor- or core-reduced power states
- Variable speed fan control based on power or thermal readings
- Low-power memory states
- Liquid cooling capability

Index

A

- about RAID 75
- Advanced menu
 - Setup Utility program 64
- advanced SATA/SAS hardware RAID
 - configuring 82
- ambient temperature limit
 - LED 25, 28

B

- BIOS and TMM update utilities
 - software 13
- BMC status
 - LED 60
- Boot Manager menu
 - Setup Utility program 66
- Boot Options menu
 - Setup Utility program 66

C

- cable connection 47
- coin-cell battery
 - replacing 185
- configuring
 - Ethernet controllers 82
 - server 63
- configuring RAID
 - advanced SATA/SAS hardware RAID 82
 - ThinkServer RAID 300 76
 - using the ThinkServer EasyStartup program 76
- configuring the server 63
- considerations, password 67
- consistency check
 - running 81
- contamination, particulate and gaseous 212
- cooling shroud
 - reinstalling 95
 - removing 95
- creating, adding, or deleting
 - RAID array 79
- CRU
 - completing the replacement 195
- CRU identification 37

D

- devices, handling static-sensitive 86
- diagnostic module
 - locations 24
 - replacing 180
- diagnostic panel
 - LED 24

- locations 24
- diagnostic program
 - troubleshooting and diagnostics 200
- Diagnostic programs
 - software 14
- DIMM
 - installation rules 99
 - installing 102
 - removing 104
- DIMM status
 - LED 28
- documentation
 - using 205

E

- EasyUpdate Firmware Updater program
 - using 83
- Ethernet card
 - installing 118
 - removing 121
- Ethernet connectivity
 - features 9
- Ethernet connector 0
 - Setup Utility program 69
- Ethernet controllers
 - configuring 82
- Ethernet status
 - LED 33
- exiting
 - Setup Utility program 69
- expander card
 - installing 115
 - removing 117
- Expander card
 - locations 42
- expansion slot
 - features 9
- export classification notice 213

F

- features 8
 - ThinkServer EasyStartup program 72
- firmware
 - updating 83
- flashing
 - the BIOS 70
- front bezel
 - reinstalling 89
 - removing 89
- front panel
 - LED 22
 - locations 22
- front panel board

- replacing 176
- front view of the server
 - locations 16

G

- gaseous contamination 212
- German gloss statement 213
- getting help 205
- getting information 205
- getting service 205
- guidelines 85

H

- hardware
 - installing 85
 - removing 85
 - replacing 85
- heat sink
 - installing 137
 - replacing 137
- help, getting 205
- hot-spare drive
 - setting 80
- hot-swap hard disk drive
 - installing 162
 - replacing 162
- hot-swap hard-disk-drive backplane
 - locations 43
 - replacing 166
- hot-swap hard-disk-drive status
 - LED 39
- hot-swap hard-disk-drive status LEDs
 - locations 39
- hot-swap redundant power supply
 - installing 133
 - replacing 133
- hot-swap redundant power supply status
 - LED 30

I

- information, getting 205
- initializing
 - virtual drive 79
- Input/Output (I/O)
 - features 9
- installation rules
 - DIMM 99
 - memory module 99
- installing
 - DIMM 102
 - Ethernet card 118
 - expander card 115
 - hardware 85
 - heat sink 137
 - hot-swap hard disk drive 162
 - hot-swap redundant power supply 133
 - memory module 102

- microprocessor 139
- optical drive 154
- RAID card 105
- server cover 195
- solid-state drive 147–148
- TMM Premium 127
- TPM 130
- TR 300 Key 123
- TR 500 Key 109
- TR 700 Battery 112
- installing and using
 - MegaRAID Storage Manager program 81
- Intelligent Diagnostics Module
 - locations 25
- Intelligent Diagnostics Module Premium
 - locations 26
- interface
 - LSI Software RAID Configuration Utility program 77
 - Setup Utility program 64
- internal drive
 - features 8

L

- LED
 - ambient temperature limit 25, 28
 - BMC status 60
 - diagnostic panel 24
 - DIMM status 28
 - Ethernet status 33
 - front panel 22
 - hot-swap hard-disk-drive status 39
 - hot-swap redundant power supply status 30
 - memory module status 26, 28
 - microprocessor status 26, 29
 - NIC status 20, 23
 - power status 19, 23
 - power supply error 25, 29
 - LED 25, 29
 - system board 59
 - system fan error 25, 27, 60
 - system identification (ID) 20, 23, 33
 - system status 20, 24
 - TMM status 60
- left cage
 - reinstalling 97
 - removing 97
- Lenovo ThinkServer EasyManage
 - software 13
- Lenovo ThinkServer EasyManage program
 - using 83
- locations 14
- LSI Software RAID Configuration Utility program
 - interface 77
 - starting 77

M

- machine type, model, and serial number label
 - locations 14

- Main menu
 - Setup Utility program 64
- MegaRAID Storage Manager program
 - installing and using 81
- memory
 - features 8
- memory module
 - installation rules 99
 - installing 102
 - removing 104
- memory module installation
 - guidelines 99
- memory module status
 - LED 26, 28
- microprocessor
 - features 8
 - installing 139
 - replacing 143
- microprocessor status
 - LED 26, 29

N

- NIC status
 - LED 20, 23

O

- optical drive
 - installing 154
 - replacing 154
- option
 - completing the replacement 195

P

- particulate contamination 212
- parts replacement, completing 195
- password
 - considerations 67
 - setting, changing, deleting 67
 - Setup Utility program 67
- physical drive
 - rebuilding 80
- power status
 - LED 19, 23
- power supply
 - features 8
- power supply error
 - LED 29
- precautions
 - guidelines 85

R

- rack handles
 - reinstalling 91
 - removing 91
- RAID
 - configuring 74

- introduction 75
- RAID array
 - creating, adding, or deleting 79
- RAID array status 77
- RAID card
 - installing 105
 - locations 40
 - removing 107
- RAID configuration utilities
 - software 13
- rear view of the server
 - locations 29
- rebuilding
 - physical drive 80
- recovering
 - the BIOS 71
- reinstalling
 - cooling shroud 95
 - front bezel 89
 - left cage 97
 - rack handles 91
- reliability, availability, and serviceability
 - features 9
- remote management
 - software 13
- removing
 - cooling shroud 95
 - DIMM 104
 - Ethernet card 121
 - expander card 117
 - front bezel 89
 - hardware 85
 - left cage 97
 - memory module 104
 - rack handles 91
 - RAID card 107
 - server cover 87
 - TMM Premium 128
 - TPM 131
 - TR 300 Key 124
 - TR 500 Key 110
 - TR 700 Battery 113
- replacing
 - coin-cell battery 185
 - diagnostic module 180
 - front panel board 176
 - hardware 85
 - heat sink 137
 - hot-swap hard disk drive 162
 - hot-swap hard-disk-drive backplane 166
 - hot-swap redundant power supply 133
 - microprocessor 143
 - optical drive 154
 - riser card assembly 1 172
 - riser card assembly 2 174
 - solid-state drive 147, 152
 - system board 187
 - system fan 183
 - ThinkServer RAID Super Capacitor Module 159
- riser card assembly 1

- replacing 172
- riser card assembly 2
 - replacing 174
- road map
 - server setup 5
- running
 - consistency check 81

S

- Save & Exit menu
 - Setup Utility program 66
- Security menu
 - Setup Utility program 65
- server components
 - locations 34
- server configuration
 - updating 198
- server cover
 - installing 195
 - removing 87
- server documentation 2
- Server Management menu
 - Setup Utility program 65
- server package 7
- server setup
 - road map 5
- service, getting 205
- setting
 - hot-spare drive 80
- setting, changing, deleting
 - password 67
- Setup Utility program
 - Ethernet connector 0 69
 - exiting 69
 - interface 64
 - password 67
 - starting 63
 - TPM 68
 - using 63
- software 12
- solid-state drive
 - installing 147–148
 - replacing 147, 152
- specifications 12
- starting
 - LSI Software RAID Configuration Utility program 77
 - Setup Utility program 63
 - ThinkServer EasyStartup program 72
- startup device
 - selecting 68
 - Setup Utility program 68
- static-sensitive devices
 - guidelines 86
- static-sensitive devices, handling 86
- system board 52
 - LED 59
 - replacing 187
- system board components
 - locations 52

- system board jumpers
 - locations 55
- system board LEDs
 - locations 59
- system board switches
 - locations 55
- system date
 - setting 66
- system event log
 - troubleshooting and diagnostics 200
- system fan
 - features 8
 - replacing 183
- system fan error
 - LED 25, 27, 60
- system identification (ID)
 - LED 20, 23, 33
- system reliability
 - guidelines 87
- system status
 - LED 20, 24
- system time
 - setting 66

T

- the BIOS
 - flashing 70
 - recovering 71
 - updating 70
 - updating or recovering 69
- ThinkServer EasyStartup
 - software 12
- ThinkServer EasyStartup program
 - features 72
 - starting 72
 - using 71
 - Windows operating system 74
- ThinkServer EasyUpdate Firmware Updater
 - software 13
- ThinkServer RAID 300
 - configuring 76
- ThinkServer RAID Super Capacitor Module
 - replacing 159
- ThinkServer Smart Grid Technology
 - software 13
- ThinkServer Web address 1
- TMM Premium
 - installing 127
 - removing 128
- TMM status
 - LED 60
- TPM
 - installing 130
 - removing 131
 - Setup Utility program 68
- TR 300 Key
 - installing 123
 - removing 124
- TR 500 Key

- installing 109
- removing 110
- TR 700 Battery
 - installing 112
 - removing 113
- troubleshooting and diagnostics
 - diagnostic program 200
 - hard disk drive problems 202
 - keyboard, mouse, and USB device problems 204
 - memory module problems 203
 - optical drive problems 201
 - status and diagnostic LEDs 199
 - system event log 200
 - ThinkServer EasyStartup program problems 200
 - troubleshooting procedure 199
- turning off the server 61
- turning on the server 61
- TÜV gloss statement 213

U

- updating
 - firmware 83
 - server configuration 198
 - the BIOS 70
- updating or recovering
 - the BIOS 69
- using
 - documentation 205
 - EasyUpdate Firmware Updater program 83
 - Lenovo ThinkServer EasyManage program 83
 - passwords 67
 - Setup Utility program 63
 - ThinkServer EasyStartup program 71

V

- video subsystem
 - features 9
- viewing information
 - Setup Utility program 63
- virtual drive
 - initializing 79

W

- Web site
 - compatible options 99
- working inside the server with the power on
 - guidelines 87

lenovo®