

code



Code Reader™ 2600

Manual Version 01

Release Date: July 2012

Statement of Agency Compliance



The Code Reader™ 2600 (CR2600) has been tested for compliance with FCC regulations and was found to be compliant with all applicable FCC Rules and Regulations.

IMPORTANT NOTE: To comply with FCC RF exposure compliance requirements, this device must not be co-located or operate in conjunction with any other antenna or transmitter.

CAUTION: Changes or modifications not expressly approved by the party responsible for compliance could void the user's authority to operate the equipment.



The CR2600 has been tested for compliance to CE standards and guidelines and was found to conform to applicable CE standards, specifically the EMC requirements EN 55024, ESD EN 61000-4-2, Radiated RF Immunity EN 61000-4-3, ENV 50204, EFT EN 61000-4-4, Conducted RF Immunity EN 61000-4-6, EN 55022, Class B Radiated Emissions, and Class B Conducted Emissions.

Code voids product warranty if the hard case has been opened or tampered with in any way.

The CR2600 meets all safety and quality standards in accordance to EN 60950-1:2006/A11:2009/A1:2010.



Code Reader™ 2600 User Manual

Copyright © 2012 Code Corporation.

All Rights Reserved.

The software described in this manual may only be used in accordance with the terms of its license agreement.

No part of this publication may be reproduced in any form or by any means without written permission from Code Corporation. This includes electronic or mechanical means such as photocopying or recording in information storage and retrieval systems.

NO WARRANTY. This technical documentation is provided AS-IS. Further, the documentation does not represent a commitment on the part of Code Corporation. Code Corporation does not warrant that it is accurate, complete or error free. Any use of the technical documentation is at the risk of the user. Code Corporation reserves the right to make changes in specifications and other information contained in this document without prior notice, and the reader should in all cases consult Code Corporation to determine whether any such changes have been made. Code Corporation shall not be liable for technical or editorial errors or omissions contained herein; nor for incidental or consequential damages resulting from the furnishing, performance, or use of this material. Code Corporation does not assume any product liability arising out of or in connection with the application or use of any product or application described herein.

NO LICENSE. No license is granted, either by implication, estoppel, or otherwise under any intellectual property rights of Code Corporation. Any use of hardware, software and/or technology of Code Corporation is governed by its own agreement.

The following are trademarks or registered trademarks of Code Corporation:

CodeXML®, Maker, QuickMaker, CodeXML® Maker, CodeXML® Maker Pro, CodeXML® Router, CodeXML® Client SDK, CodeXML® Filter, HyperPage, CodeTrack, GoCard, GoWeb, ShortCode, GoCode®, Code Router, QuickConnect Codes, Rule Runner®, Cortex®, CortexRM, CortexMobile, Code, Code Reader, CortexAG, CortexStudio, CortexTools, Affinity®, and CortexDecoder.

All other product names mentioned in this manual may be trademarks of their respective companies and are hereby acknowledged.

The software and/or products of Code Corporation include inventions that are patented or that are the subject of patents pending. U.S. Patents: 6997387, 6942152, 7014113, 7070091, 7097099, 7353999, 7519239, 7621453, 8001550, 8011584.

The Code Reader software uses the Mozilla SpiderMonkey JavaScript engine, which is distributed under the terms of the Mozilla Public License Version 1.1.

The Code Reader software is based in part on the work of the Independent JPEG Group.

Code Corporation, 14870 South Pony Express Road, Suite 200, Bluffdale, UT 84065

www.codecorp.com

Table of Contents

1.0 - Unpacking.....	1
2.0 - Battery Installation and Removal	1
3.0 - Charging the CR2600.....	1
4.0 - Fuel Gauge Status Indicator	3
5.0 - Powering On/Off the Reader.....	3
6.0 - Establishing a Bluetooth® Connection	4
7.0 - Communicating in USB Mode.....	4
7.1 - Batch Mode via USB.....	5
7.2 - Batch Mode Indicators	5
8.0 - Attaching the CodeXML® M3 Modem.....	6
9.0 - Suffix Enter	6
10.0 - Using the CR2600.....	7
11.0 - Reading Ranges.....	7
12.0 - Reader Feedback	8
13.0 - Symbologies Default ON	8
14.0 - Symbologies Default OFF	8
15.0 - Reader ID and Firmware Version	9
16.0 - CR2600 Dimensions	10
16.1 - Charging Station Dimensions.....	10
17.0 - CR2600 Maintenance	11
18.0 - Warranty	12



1.0 - Unpacking

Remove the CR2600 from its packing and inspect it for damage. If the reader was damaged during shipping, please call Code at (801) 495-2200.

Based on the kit purchased, a combination of the following components will be included with the CR2600:



Charging Station with Embedded CodeXML Modem



Charging Station



CodeXML® M3 Modem



Battery



USB Cable



Power Supply

2.0 - Battery Installation and Removal

Place the battery into the reader as shown below. Once in place, the battery will snap and lock to indicate proper installation. For battery removal, slide the latch, to unlock and release the battery.



3.0 - Charging the CR2600

1. Plug the barrel side of the USB charge cable or power supply into power jack of the charger.



3.0 - Charging the CR2600 Cont.

2. Plug the USB cable into the computer's USB port or the power adapter into the wall outlet.



3. Remove the plastic 'Remove Before Use' cap, and place the reader into the Charging Station.



Note: Batteries ships with approximately 50% battery life and should be completely charged before initial use. Approximate time to charge a depleted battery is 4 hours via USB cable, and 2 1/2 hours via AC power supply.



4.0 - Fuel Gauge Battery Status Indicators

Check the Battery Life

Press the fuel gauge button to determine remaining battery life. If the battery has less than 10% capacity, the first LED will flash rapidly. For 25% or greater capacity, the LEDs will flash ON for 4 seconds.



Fuel Gauge Status Indicator While Charging

If the battery has less than 10% capacity, the first LED will flash rapidly while charging. For 25% or greater capacity, the LEDs will flash ON for 4 seconds.

Battery Life				
<10%	Rapid Flashing			
<25%	ON			
25-50%	ON	ON		
50-75%	ON	ON	ON	
75%+	ON	ON	ON	ON

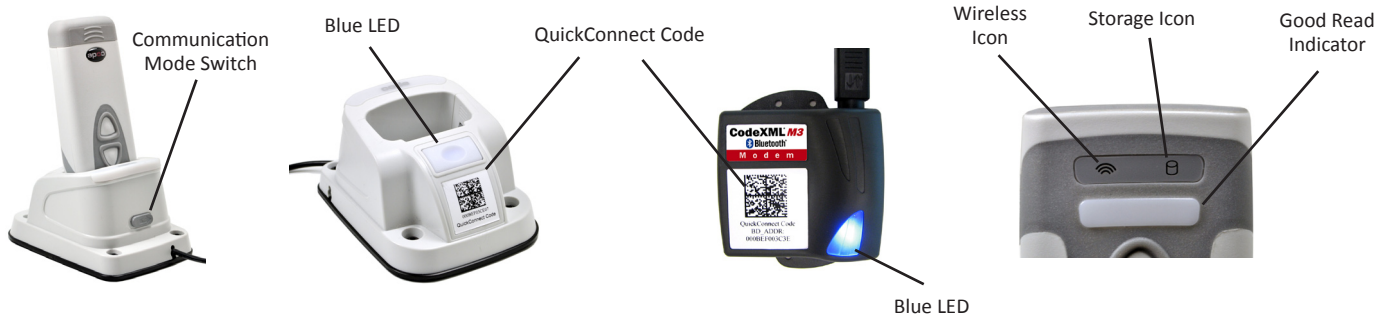
5.0 - Powering On/Off the Reader

Press and hold either the buttons or trigger, for one second, to power on reader. The CR2600 will beep, vibrate and the LEDs will flash to indicate it is on and ready for use.



6.0 - Establishing a Bluetooth® Connection

1. If establishing a Bluetooth connection using the Charging Station with embedded CodeXML® Modem, slide the Communication Mode Switch on the Charger/Modem Station, to Bluetooth mode (the direction of the arrow).
2. Scan the *QuickConnect Code* located on the front of the Charging Station with embedded CodeXML® modem or on the external CodeXML® M3 Modem. For additional CodeXML® M3 Modem configuration information, please reference the CodeXML® M3 Modem QuickStart Guide.
3. The wireless icon located at the top of the reader will flash as it attempts to make connection. The blue LED on the charging station or CodeXML® M3 Modem will also flash as it attempts to connect. The blue LED will turn on when connection is established, the CR2600 will beep once and the wireless icon will flash every 10 seconds.



Important Note If Using a non-Code Bluetooth Device:

To connect to a Bluetooth device not manufactured by Code, you will need the Bluetooth address (often referred to as the BD_ADDR) of that device. The 12-character Bluetooth address can be found on the device near the serial number. Then visit Code's website at: <http://www.codecorp.com/bdaddr.php> and enter the 12-character address to create the QuickConnect Code.

You will need to locate the Communications (COM) Port assigned to the Bluetooth serial port protocol before installing the Bluetooth Configuration Manager software that is included with your Bluetooth adapter (e.g., COM 10). This is the COM Port through which the CR2600 will connect.

7.0 - Communicating in USB Mode

1. For reader to communicate in USB mode using the charging station with embedded CodeXML® Modem and CortexTools™, scan the following USB Downloader Mode configuration code:



2. CortexTools™ will need to be installed to your host device for optimal communication performance during data transmission. For CortexTools™ support, please contact Application Engineering at Code appeng@codecorp.com.

7.1 - Batch Mode via USB

1. The CR2600 can be configured for Batch Mode to capture and transmit data over standard USB communication modes. Select and scan one of the following configuration codes that will best suits data storage needs:



M10186_01

Batch Mode Enable
- Scan and Log



Batch Mode Enable
- Log Only

2. Scan one of the following communication modes to configure the communications setting on your reader:



M10004_01

USB Downloader Mode



M10191_01

USB Keyboard Mode



M10192_01

USB Virtual Comm Mode

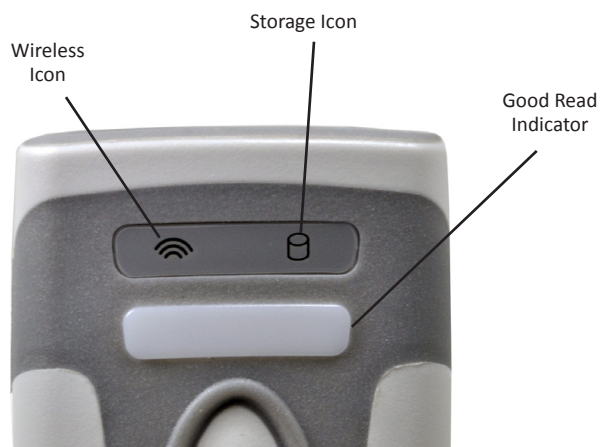
3. To transmit the captured data to CortexTools™ on your host device, place reader into charging station. The reader will wait 5 seconds before transmitting data. The 5 second delay allows the host device to prepare to receive the data.

7.2 - Batch Mode Indicators

When the CR2600 is in batch/storage mode, the storage icon will flash every 10 seconds to indicate data is being stored.

If batch memory is full, the storage icon will flash 5 times every second. Data will need to be downloaded or deleted to free memory space.

Storage icon will not flash if there is no data stored.



8.0 - Attaching the CodeXML® M3 Modem

Included with the CodeXML® M3 Modem is a USB or RS232 cable:



USB Cable

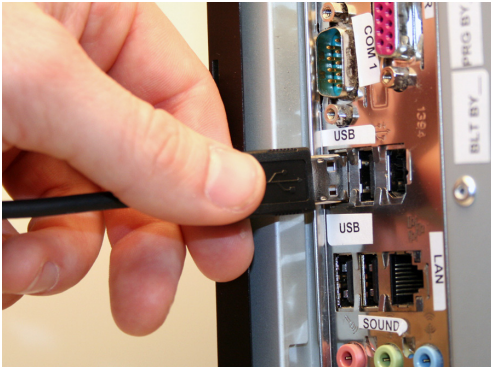


RS232 Cable

1. Attach the 8-pin DIN end of the cable to the CodeXML® M3 Modem.



2. Plug the USB connector into the USB port on the computer, or RS232 (Serial) cable to a serial port on the computer. Once plugged in, the modem's blue LED light will flash (reference modem image on page 4, section 6). Follow steps 1 and 2 of page 4, section 6 to establish the Bluetooth connection.



USB Cable



RS232 Cable

9.0 - Suffix Enter

A Suffix Enter character is disabled by default. To enable Suffix Enter, please scan the following configuration code:



M10134 01

For more configuration options, download the CR2600 Configuration Guide from www.codecorp.com

10.0 - Using the CR2600

Press and hold one of the buttons or trigger on the CR2600, the two blue bars emitting from the reader are used for targeting. Center the blue bars in the middle of a bar code. The optimal reading distance from reader to bar code is approximately 4.0" (10 cm). Once the reader is at the optimal distance, the reader will automatically read the bar code.



The CR2600 will beep, vibrate and the good read indicator will flash green to indicate a 'good read' has occurred.

11.0 - Reading Ranges

CR2600 Performance		
Test Code	Min Inches (mm)	Max Inches (mm)
3 mil Code 39	3.9" (100 mm)	5.0" (125 mm)
7.5 mil Code 39	2.2" (55 mm)	8.0" (205 mm)
13 mil UPC	2.0" (50 mm)	10.8" (275 mm)
4.2 mil Data Matrix	3.7" (95 mm)	4.7" (120 mm)
5 mil Data Matrix	3.7" (95 mm)	5.5" (140 mm)
6.3 mil Data Matrix	3.1" (80 mm)	6.3" (160 mm)
10 mil Data Matrix	1.6" (40 mm)	7.9" (200 mm)
20.8 mil Data Matrix	1.6" (40 mm)	12.2" (310 mm)

Note: working ranges are a combination of both the wide and high density fields. All samples were high quality codes and were read along a physical center line at a 10° angle. Default AGC settings were used. Accuracy= +/- 10%.

12.0 - Reader Feedback

Scenario	LEDs on Reader	Sound	Vibration
CR2600 Successfully Powers Up	All LEDs Flash	1 Beep	Palm or Handle Unit Vibrates
CR2600 Successfully Connects with Host	Wireless Icon Flashes	1 Beep	Palm or Handle Unit Vibrates
Successful Decode and Data Transfer	Good Read Indicator will Flash	1 Beep	Palm or Handle Unit Vibrates
Configuration Code Successfully Decoded and Processed	Good Read Indicator will Flash	2 Beeps	Palm or Handle Unit Vibrates
Batch Mode Enabled and Data Stored	Batch Icon Flashes	No Sound	No Vibration
Memory Space for Batching is Full	Batch Icon Flashes 5 Time a Second	No Sound	No Vibration
Batch Mode Enabled and No Data is Stored	Batch Icon Off	No Sound	No Vibration

13.0 - Symbologies Defaulted On

The following are symbologies that have a default of ON. To turn symbologies on or off, scan the symbology bar codes located in the CR2600 Configuration Guide located on our website at <http://www.codecorp.com>.

Aztec	Data Matrix
Codabar	Data Matrix Rectangle
Code 39	All GS1 DataBar
Code 93	Interleaved 2 of 5
Code 128	PDF417
	QR Code
	UPC

14.0 - Symbologies Defaulted Off

The following are symbologies that have a default of OFF. To turn symbologies on or off, scan the symbology bar codes located in the CR2600 Configuration Guide located on our website at <http://www.codecorp.com>.

Code 39 Checksum
 Code 39 Extended Full ASCII
 Data Matrix Inverse
 UPC-E Expansion

15.0 - Reader ID and Firmware Version

To find out the Reader ID and firmware version, open a text editor program (i.e., Notepad, Microsoft Word, etc.) and read the following code:

Reader ID and Firmware



You will see a text string indicating your firmware version and CR2600 ID number (see below):

iVVVVWWWWXXXXSSSSSSSSSSAOOYYYYHHIIIIJJJJKKKKLLLL<TAB>Z...Z

i indicates 'I' string output;

VVVV is the application firmware version number;

WWWW is the core application firmware version number;

XXXX is reserved for the radio firmware version number;

SSSSSSSSSS is the Reader's serial number (ten digits);

A is the current execution state: "A" means core is running
"B" means undefined
"C" means undefined

OO is the OEM identifier;

D is the display type: "0" or "N" is no display device
"D" is the standard Keypad/Display

YYYY is the flash file system version number. Reserved;

HH is the hardware revision;

IIII is the hardware type identifier: 0009 indicates a CR2600

JJJJ is the boot application version;

KKKK is the operating system kernel version;

LLLL is the root file-system version;

<TAB> is the ASCII TAB character;

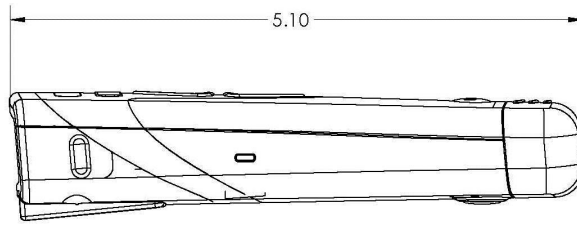
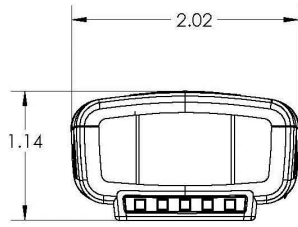
Z...Z is the OEM decoder version: a null terminated string of printable ASCII characters. Without a decoder.ini file, the order of the decoders listed here indicates the order of use.

Example: Xap/i3000300006040010002363A06D-SD+SQ

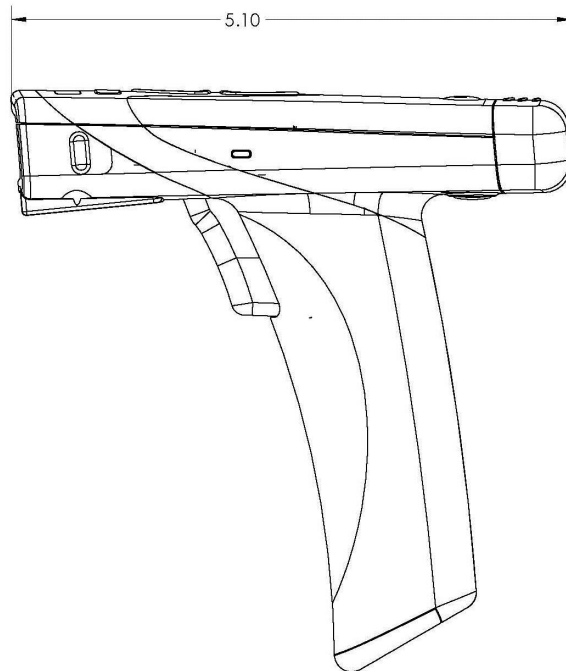
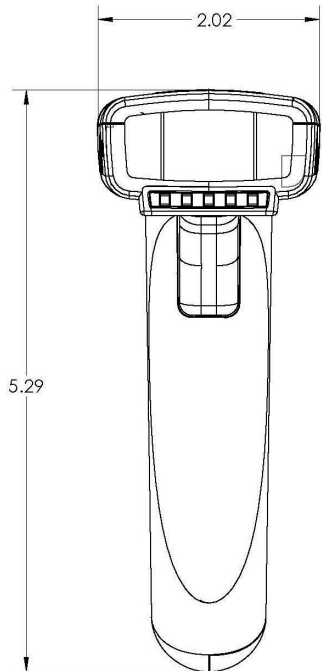
Note: Code will periodically release new firmware for CR2600 readers. For information on latest firmware versions, call Code at (801) 495-2200. To upgrade firmware, please visit our website at <http://www.codecorp.com/codesupport.php> and follow instructions provided.

16.0 - CR2600 Dimensions

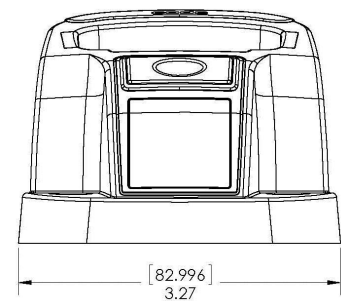
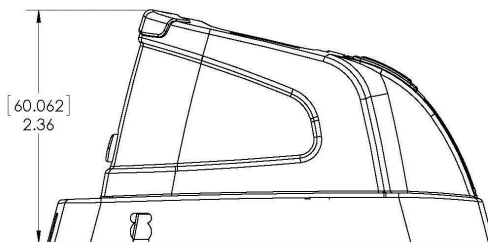
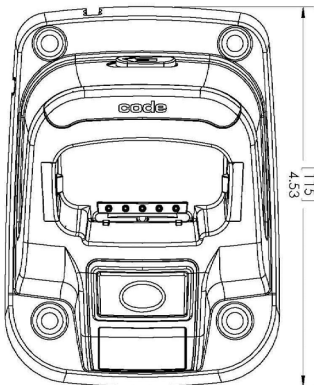
CR2611



CR2612



16.1 - Charging Station Dimensions



17.0 - CR2600 Maintenance

The CR2600 needs only minimum maintenance to operate. The tips below for maintenance suggestions.

Cleaning the CR2600

The CR2600 window should be clean to allow the best performance of the device. The window is the clear plastic piece inside the head of the reader. Avoid touching the window. Your CR2600 uses CMOS technology that is much like a digital camera. A dirty window may stop the CR2600 from reading bar codes.

If the window becomes dirty, clean it with a soft, non-abrasive cloth or a facial tissue (no lotions or additives) that has been moistened with water. A mild detergent may be used to clean the window, but the window should be wiped with a water moistened cloth or tissue after using the detergent.

The following agents are approved to clean a Code bar code reader:

- 1) Alcohol Wipes
- 2) Clorox® Non-Bleach Disinfecting Wipes
- 3) Clorox Bleach Solution (10% Clorox bleach, 90% tap water)
- 4) Medical DiAirKem
- 5) Sani-Cloth® HB, Super Sani-Cloth® Germicidal, Sani-Cloth® Plus Germicidal Disposable Wipes
- 6) Virex® II Disinfectant Cleaner

Technical Support and Returns

To modify any default settings, download the CR2600 Configuration guide at www.codecorp.com/files.php and scan the appropriate code. For user specific configurations, contact Application Engineering at Code_appeng@codecorp.com.

For all returns Code will issue an RMA number which must be placed on the packing slip when the reader is returned.

Visit <http://www.codecorp.com/codesupport.php> for more information.

18.0 - Warranty

Code's CR2600 carries a standard three year limited warranty as described herein. Charging Station follow the warranty of the reader. The CR2600 battery carries a one year limited warranty.

Customers may purchase either a one or two year CodeOne extended warranty plan. Please contact a Code representative for more information.

Limited Warranty

Code manufactures its hardware products in accordance with industry-standard practices. Code warrants its products will be free from defects in materials and workmanship, provided that the products are used under normal operating condition intended by the Manufacturer. This warranty is provided to the original owner only and is not transferable to any third party. This warranty is subject to any and all accompanying disclaimers, limitations and other terms of this section.

Warranty periods are not extendable beyond 5 years. CodeOne extended warranty programs are available and must be purchased within 90 days of purchase. Please refer the CodeOne Data Sheet for program pricing and terms and conditions.

Exclusions

No warranty herein contained or set out shall apply to any product (i) which has been repaired, altered or tampered with unless done or approved by Code, (ii) which has not been maintained in accordance with any operating or handling instructions supplied by Code, (iii) which has been subjected to unusual physical or electrical stress, immersion in fluids, puncture, crushing, misuse, abuse, power shortage, improper power supply such as incorrect voltage or wrong polarity, negligence or accident, or (iv) which has been used other than in accordance with the product operating and handling instructions. Preventive maintenance is the responsibility of the customer and is not covered under this warranty.

Warranty Coverage and Procedure

During the warranty period, Code will repair or replace defective products returned to Code's service center in the US. For worldwide warranty service, go to <http://www.codecorp.com/technical-support.php> and fill out a service request. Customer will be issued a case number. Case will be routed into the support queue within Code. Customer will be contacted within one business day of submission. Code representative will work with customer to troubleshoot solution and attempt to restore reader to proper functionality. If the Code representative determines that it cannot be restored programmatically and deems a hardware issue is found a Return Material Authorization (RMA) Number will be assigned and customer will be instructed to return the product to Code.

Products must be shipped in the original or comparable packaging, with shipping and insurance charges prepaid. Only parts listed in the original RMA should be sent and will be accepted. Code will pay for return shipping and insurance of repaired or replacement products worldwide. Code will use new or refurbished parts at its discretion and will own all parts removed from repaired products. Customer will pay for any pre-shipped replacement product in case it does not return the replaced product to Code within 7 days of receipt of the replacement product. The process for return and customer's charges will be in accordance with Code's Exchange Policy in effect at the time of the exchange. Customer accepts full responsibility for its software and data including the appropriate backup thereof. Repair or replacement of a product during warranty will not extend the original warranty term.

Return time frames are listed in the chart above. For RMA's not covered under warranty as outlined in the exclusion section, customer will be required to pay the non-covered warranty fee as listed in the chart above.

General

EXCEPT FOR THE WARRANTIES STATED ABOVE, CODE DISCLAIMS ALL WARRANTIES, EXPRESS OR IMPLIED, ON PRODUCTS FURNISHED HEREUNDER, INCLUDING WITHOUT LIMITATION IMPLIED WARRANTIES OF MERCHANTABILITY AND FITNESS FOR A PARTICULAR PURPOSE AND NON-INFRINGEMENT.

The stated express warranties are in lieu of all obligations or liabilities on part of Code for damages, including without limitation, special, indirect, or consequential damages arising out of or in connection with the use or performance of the product. Seller's liability for damages to buyer or others (regardless of the form of action, whether by contract, warranty, tort, malpractice, and/or otherwise) resulting from the use of any product, shall in no way exceed the purchase price of said product. In no event shall Code be liable for any consequential, special, indirect, incidental or punitive damages, or for any loss of profits, revenue or data, even if Code has been advised of the possibility thereof.