

# Owner's Manual

## SmartRack® 2000 Series Enclosures

<b>Important Safety Instructions</b>	<b>2</b>	<b>Equipment Installation</b>	<b>9</b>
<b>Overview</b>	<b>2</b>	Installing or Removing Cage Nuts	<b>10</b>
<b>Feature Identification</b>	<b>3</b>	<b>Specifications</b>	<b>11</b>
<b>Enclosure Installation</b>	<b>4</b>	<b>Storage and Service</b>	<b>11</b>
Preparation	4	<b>Warranty and Product Registration</b>	<b>12</b>
Unpacking	4	<b>Español</b>	<b>13</b>
Placement	5	<b>Français</b>	<b>25</b>
Leveling	6		
Ground Connection	6		
<b>Enclosure Configuration</b>	<b>7</b>		
Adding or Removing Front and Rear Doors	7		
Adding or Removing Side Panels	7		
Adjusting Mounting Rails	8		
Combining (Baying) Enclosures	9		

### PROTECT YOUR INVESTMENT!

Register your product for quicker service and ultimate peace of mind.

You could also win an ISOBAR6ULTRA surge protector—a \$50 value!

[www.tripplite.com/warranty](http://www.tripplite.com/warranty)



1111 W. 35th Street, Chicago, IL 60609 USA • [www.tripplite.com/support](http://www.tripplite.com/support)

Copyright © 2014 Tripp Lite. All trademarks are the sole property of their respective owners.

# Important Safety Instructions

## SAVE THESE INSTRUCTIONS

All sections of this manual contain instructions and warnings that should be followed during the installation and use of the SmartRack Enclosures described in this manual. Read all instructions and warnings thoroughly before attempting to move, install or use the SmartRack Enclosures described in this manual. Failure to comply will create a risk of personal injury and property damage and may invalidate the warranty.

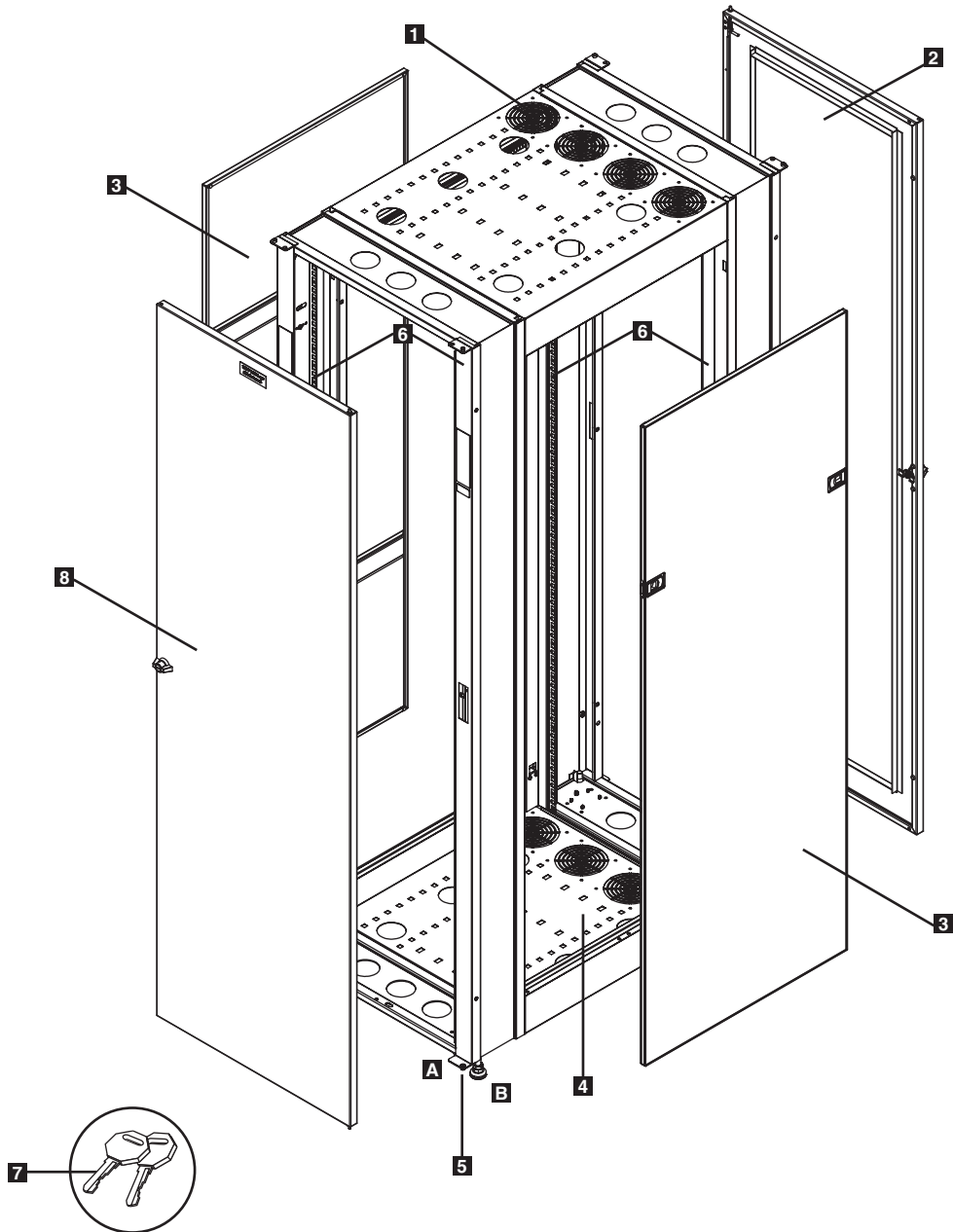
- Keep the enclosure in a controlled indoor environment, away from moisture, temperature extremes, flammable liquids and gasses, conductive contaminants, dust and direct sunlight.
- Leave adequate space at the front and rear of the enclosure for proper ventilation. Do not block, cover or insert objects into the external ventilation openings of the enclosure.
- The enclosure is extremely heavy. Use caution when handling the enclosure. Do not attempt to unpack, move or install it unassisted. Use a mechanical device such as a forklift or pallet jack to move the enclosure in the shipping container.
- Do not place any object on the enclosure, especially containers of liquid, and do not attempt to stack the enclosures.
- Inspect the shipping container and the enclosure for shipping damage. Do not use the enclosure if it is damaged.
- Leave the enclosure in the shipping container until it has been moved as close to the final installation location as possible. The casters are designed for minor position adjustments within the final installation area only. The casters are not designed for moving the enclosure over longer distances.
- The casters are not designed to provide long-term support for the enclosure after final installation. Use the levelers to provide long-term support.
- Install the enclosure in a structurally sound area with a level floor that is able to bear the weight of the enclosure, all equipment that will be installed in the enclosure and any other enclosures and/or equipment that will be installed nearby.
- Do not push the enclosure from the side panels to move it. Pushing from the side panels will cause a tipping hazard.
- When rolling the enclosure on its casters, always push it from behind, never pull it toward you.
- A rolling enclosure can cause personal injury and property damage if not properly supervised. If rolling the enclosure down a ramp is required, use extreme caution. Do not attempt to use ramps that have a slope steeper than 1:12.
- Use caution when cutting packing materials. The enclosure could be scratched, causing damage not covered by the warranty.
- Save all packing materials for later use. Repacking and shipping the enclosure without the original packing materials may cause product damage that will void the warranty.
- Do not re-ship the enclosure with additional equipment unless the enclosure was shipped with a special shock pallet ("SP1" models only). The combined weight of the enclosure and installed equipment must not exceed the load capacity of the pallet. Tripp Lite is not responsible for any damage that occurs during re-shipment.
- Use of this equipment in life support applications where failure of this equipment can reasonably be expected to cause the failure of the life support equipment or to significantly affect its safety or effectiveness is not recommended. Do not use this equipment in the presence of a flammable anesthetic mixture with air, oxygen or nitrous oxide.

## Overview

SmartRack Enclosures accommodate all standard 19-inch rackmount equipment, regardless of vendor, and ship fully assembled for quick and easy deployment. They feature adaptable, heavy-duty cabinets in 42U, 45U and 48U heights, with or without side panels. Several models are available with an integrated shock pallet that allows resellers, integrators and enterprise customers to pre-configure equipment and re-ship the enclosures to the final installation site.

SmartRack Enclosures have variable mounting depths, ideal for servers. Integrated baying hardware enables cost-effective, orderly and efficient expansion. The cabinets include quick-release doors and side panels for convenient maintenance and split rear doors for improved access and reduced clearance requirements. Front access doors are reversible for installation flexibility. Front and rear doors and side panels are lockable.

## Feature Identification



Model SR2000 is shown. Other 2000 Series models will have similar features with any differences noted.

- 1** Roof Panel with Cable Access Ports
- 2** Locking Rear Door
- 3** Full-Length Side Panels (Side panels not included with “EXP” models)
- 4** Bottom Panel with Cable Access Ports
- 5** Casters **A** and Levelers **B**
- 6** Mounting Rails (Provide horizontal and vertical mounting points for equipment)
- 7** Keys (Opens front/rear door and side panels)
- 8** Locking Front Door

Not Shown: Mounting hardware, documentation, shipping brackets and other shipping materials.

# Enclosure Installation



**Caution! Read All Instructions and Warnings Before Installation!**



**WARNING: The rack enclosure is extremely heavy. Do not attempt to unpack, move or install the enclosure without assistance. Until it has been properly installed and stabilized, the enclosure is prone to tipping and could cause property damage and/or personal injury. Use extreme caution when handling the enclosure and be sure to follow all handling and installation instructions. Do not attempt to install equipment without first stabilizing the enclosure.**

## Preparation

The enclosure must be installed in a structurally sound area with a level floor that is able to bear the weight of the enclosure, all the equipment that will be installed in the enclosure and any other enclosures and/or equipment that will be installed nearby. Before unpacking the enclosure, you should transport the shipping container closer to the final installation location to minimize the distance you will need to move the unit after the protective packaging has been removed. If you plan to store the enclosure for an extended period before installation, follow the instructions in the **Storage and Service** section.

You need several tools (user-supplied):

- 10 mm Open-end Wrench
- 19 mm Open-end Wrench
- Utility Blade
- Carpenter's Level
- Phillips-head Screwdriver
- 5/32" Hex Key

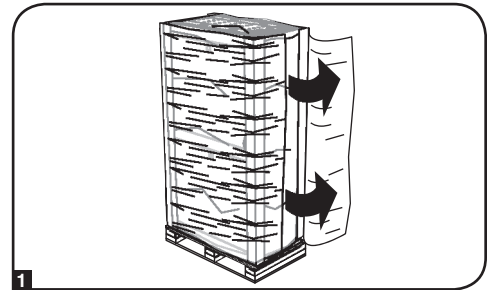
You also need the following hardware (included):

- (40) Phillips-head Mounting Screws (M6 x 5/8")
- (40) Cage Nuts (M6)
- (40) Nylon Cup Washers

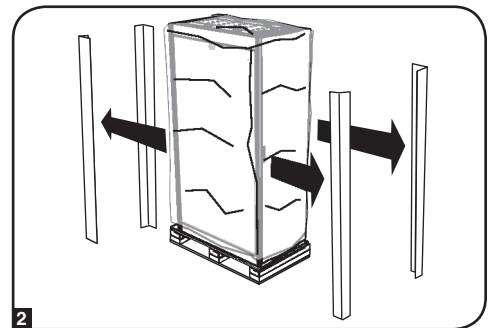
## Unpacking

**NOTE: If the enclosure is an "SP1" model with a shock pallet, follow the special unpacking instructions attached to the shipping container instead of the unpacking instructions in this section. All warnings still apply.**

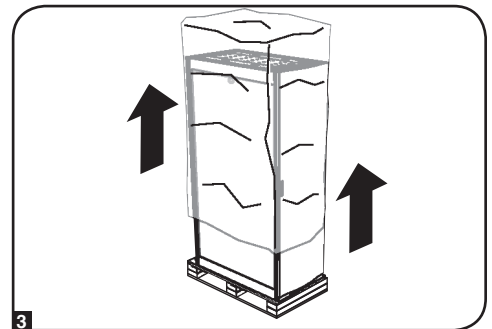
- 1** Confirm that the shipping container is upright and stable, then use a utility blade to cut the shrink-wrap securing the corner protectors. Apply the utility blade directly over the corner protectors to prevent the utility blade from scratching the enclosure or cutting the heavy protective plastic bag beneath the shrink-wrap. **WARNING: Do not scratch the enclosure or cut the heavy plastic bag beneath the shrink-wrap. Do not push or pull the enclosure while unpacking.**



- 2** Remove the corner protectors. Save all packing materials (including the pallet) for later use unless you are certain they will not be required. The packing materials are recyclable.



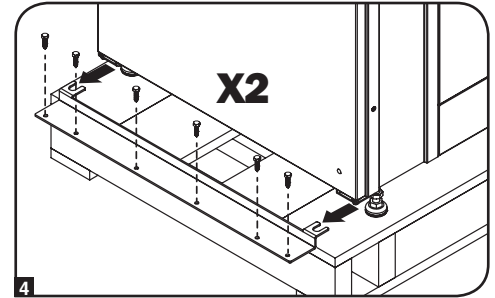
- 3** Remove the heavy plastic bag surrounding the enclosure. Examine the enclosure for any damage or loose parts. Confirm that all parts are present. If anything is missing or damaged, contact Tripp Lite for assistance. Do not attempt to use the enclosure if it has been damaged.



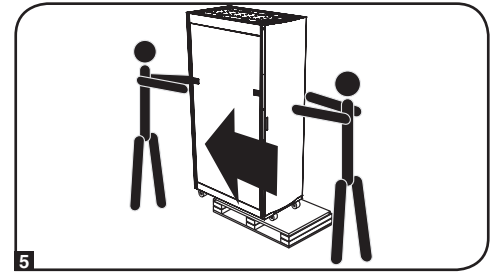
# Enclosure Installation

## Unpacking (continued)

- 4 Use a 10 mm open-end wrench to remove the shipping brackets. Be extremely careful, as the enclosure could shift unexpectedly after bracket removal. Save the brackets and bracket hardware for later use.

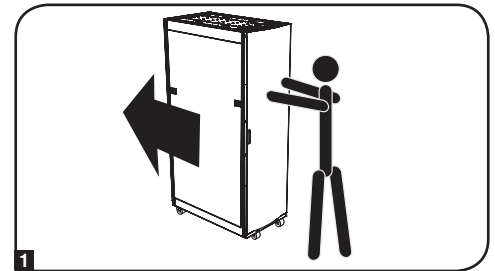


- 5 Position at least one person at the front of the enclosure and one person at the rear of the enclosure. Slowly push the enclosure toward the back of the shipping pallet until all four casters go over the edge of the pallet and touch the floor. **WARNING: Use at least one assistant when removing the enclosure from the pallet. Be extremely careful when moving the enclosure.**



## Placement

- 1 Use the casters to move the enclosure for a short distance over a level, smooth, stable surface by pushing it from the front or rear (not the side panels). Do not attempt to roll the enclosure over long distances. The enclosure should be moved close to its installation location inside its shipping container before it is unpacked. (Use a forklift or pallet jack to move the shipping container.) **WARNING: Do not push or pull the enclosure at the side panels or pull the enclosure toward you.**

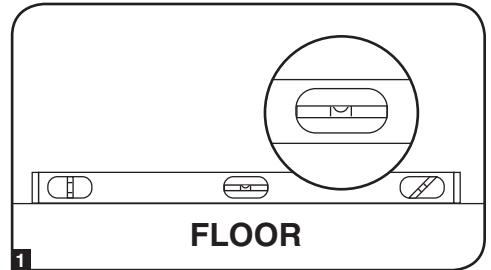


# Enclosure Installation

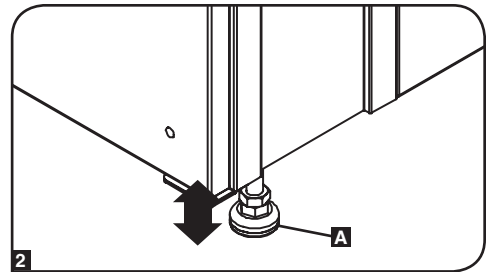
## Leveling

**WARNING:** Level the enclosure before attempting to install equipment. The casters are not designed to provide long-term support for the enclosure. Use the levelers to provide long-term support. Install the enclosure in a structurally sound area with a level floor that is able to bear the weight of the enclosure, all equipment that will be installed in the enclosure and any other enclosures and/or equipment that will be installed nearby.

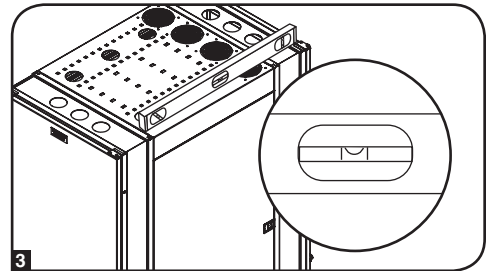
**1** After the enclosure has been moved to the installation location, use a carpenter's level to check the slope of the floor. If the floor slopes more than 1%, choose an alternate installation site.



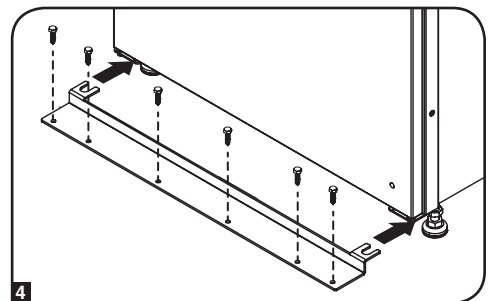
**2** Use an 19 mm open-end wrench to lower each leveler **A** until it reaches the floor. (There are 4 levelers, 2 at the front and 2 at the rear.) Make sure each leveler contacts the floor solidly. *Note: Lower a leveler by turning it clockwise; raise a leveler by turning it counter-clockwise.*



**3** After lowering each leveler, use the carpenter's level to confirm that the enclosure is level in all directions. Adjust the levelers as required until the enclosure is level.

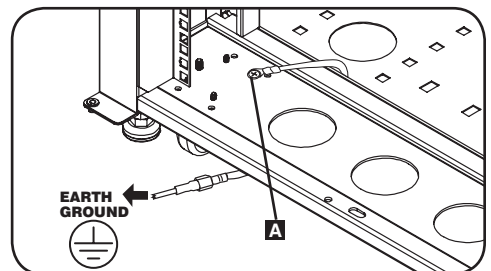


**4** (Optional) If you wish to provide an additional measure of stability, you can use the 2 shipping brackets and hardware that attached the enclosure to the shipping pallet. Use a 10 mm open-end wrench to secure the brackets to mounting points in the floor using user-supplied hardware.



## Ground Connection

All the parts of the enclosure are grounded to the frame of the enclosure. Use the enclosure's front or rear threaded grounding point **A** and an M6 screw (included) to connect the frame of the enclosure directly to your facility's earth ground connection with an 8 AWG (3.264 mm) wire. Route the ground wire under the enclosure's frame to ensure unhindered door operation. **WARNING: Attach each enclosure to earth ground separately. Do not use the enclosure without an earth ground connection.**



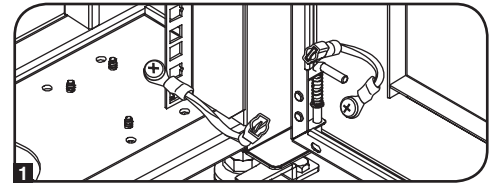
# Enclosure Configuration

## Adding or Removing Front and Rear Doors

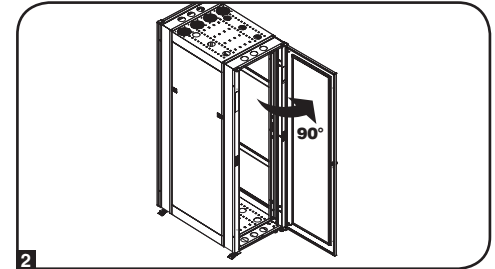
**WARNING:** Do not attempt to add or remove doors without assistance.

### Removing Door

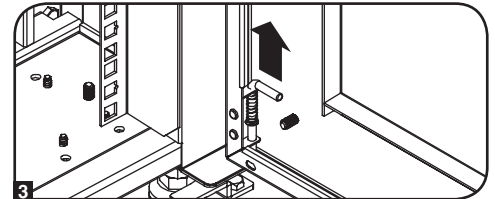
**1** Disconnect the door's ground wire.



**2** Open the door until it is perpendicular (90 degrees) to the front of the enclosure.



**3** Lift the "L" shaped, spring hinge pin. Once the pin is disengaged, lift the door off of the hinges and remove it from the enclosure.



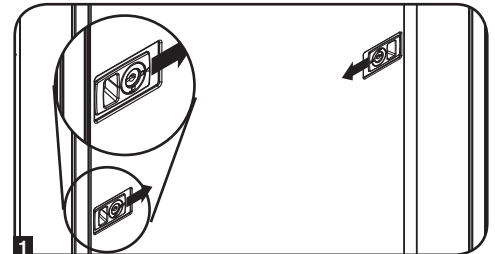
### To Reinstall Door, Reverse Steps 1-3

(Optional) If the enclosure is joined to another enclosure, turn the door back toward the enclosure as you lift it from the hinges.

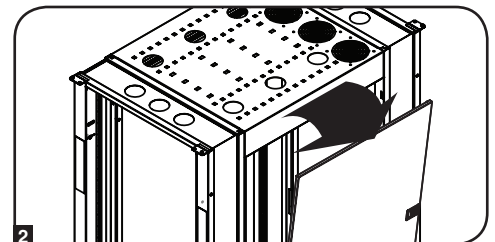
## Adding or Removing Side Panels

### Removing Side Panel

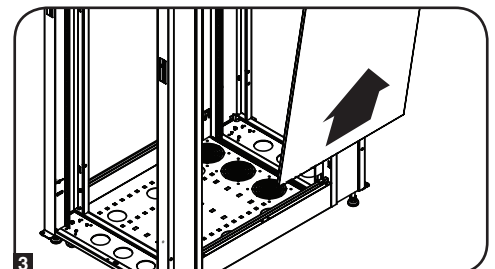
**1** Slide the two unlocked latches to disengage the panel.



**2** Tilt the top of the panel away from the enclosure.



**3** Lift the panel away from the brace that supports it.



### To Reinstall Side Panel, Reverse Steps 1-3

# Enclosure Configuration

## Adjusting Mounting Rails

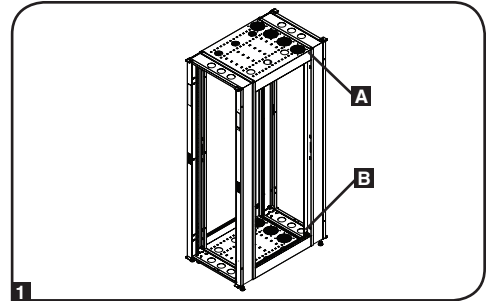
**WARNING: Do not attempt to adjust rails without assistance. Do not attempt to adjust rails while equipment is installed in the enclosure. Do not attempt to use rails without screws installed (4 per rail).**

Overall equipment mounting depths between 22 5/8 inches (575 mm) and 29 3/4 inches (756 mm) can be achieved by adjusting the front and rear rails.

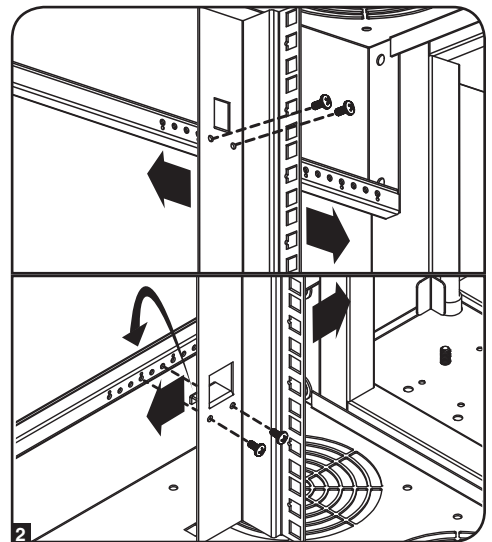
The mounting rails are pre-installed to accommodate equipment with a mounting depth of 29 inches (737 mm). Do not adjust the mounting rails unless your equipment requires a different mounting depth. The rear mounting rails can be adjusted independently in 3/8-inch (9.5 mm) increments for varied mounting depths.

### Rear Rail Adjustment

**1** Each rear mounting rail is connected to the enclosure with 4 screws - 1 pair at the upper beam **A** and 1 pair at the lower beam **B**.

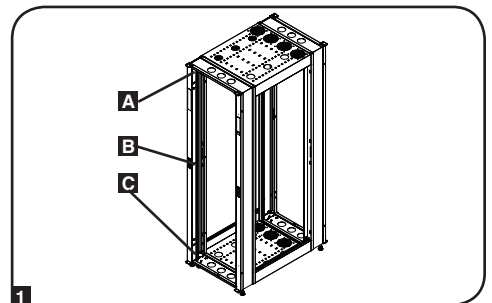


**2** Remove the screws fastening each of the rear mounting rails to the enclosure. Slide the mounting rails to the desired depth and reattach them using the screws you removed.

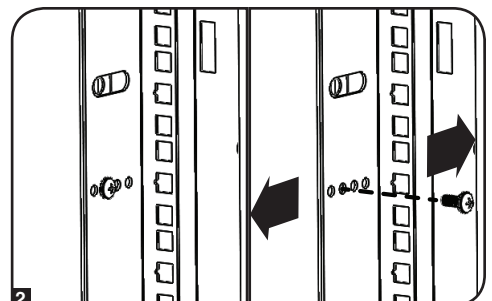


### Front Rail Adjustment

**1** Each front mounting rail is mounted to the enclosure frame using 3 screws - 1 screw at the upper beam **A**, 1 screw at the middle beam **B**, and 1 screw at the lower beam **C**.



**2** Remove the screws fastening each of the front mounting rails to the enclosure. Slide the mounting rails to the desired position and reattach them using the screws you removed.



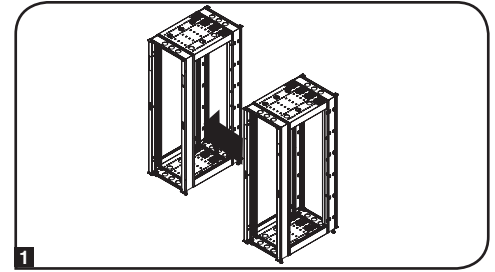


# Enclosure Configuration

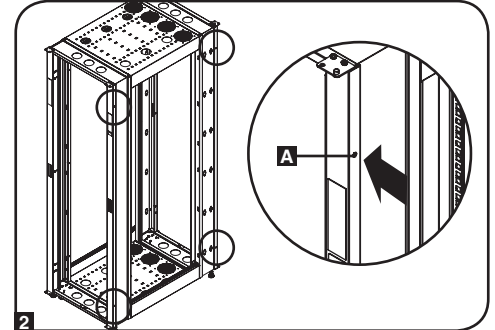
## Combining (Baying) Enclosures

**WARNING: Combining enclosures is not a substitute for stabilizing the enclosures. Each enclosure in a bay of combined enclosures requires the same stabilizing measures as a standalone enclosure.**

**1** Arrange the enclosures in the correct position for baying.

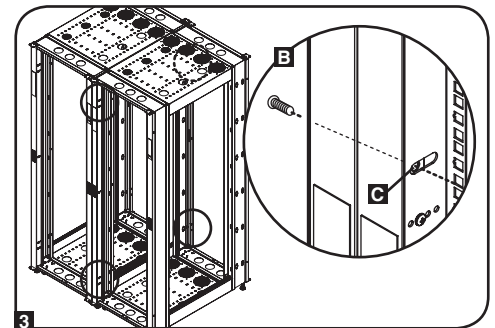


**2** Each enclosure includes 4 connection points **A**. Align the enclosures' baying connection points.



**3** Once the desired positioning of the enclosures has been made and the baying connection points are aligned, insert a user-supplied, 1/4-20 threaded screw into the baying connection point **B**. Secure the screw until its threads are tightened within the adjoining enclosure's welded hex nut **C**. Repeat for all baying connection points. If no further adjustment is needed, tighten all screws.

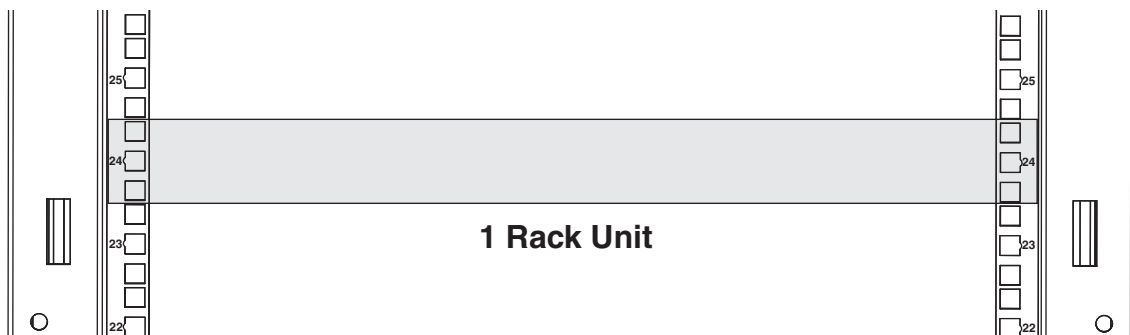
*Note: You may wish to remove the doors from the enclosures before combining them. Reinstalling the doors afterward is optional. Remove the interior side panels before baying enclosures if you wish to enable access between enclosures.*



# Equipment Installation

**WARNING: Do not install equipment until you have stabilized the enclosure. Install heavier equipment first and install it toward the bottom of the enclosure. Install equipment starting from the bottom of the enclosure and proceeding toward the top of the enclosure - never the reverse. If using sliding equipment rails, be careful when extending the rails. Do not extend more than one set of sliding equipment rails at one time. Avoid extending sliding equipment rails near the top of the enclosure.**

*Note: The square holes at the middle of each rack unit are numbered and also include a small notch to aid identification. A single rack unit includes the space occupied by the numbered hole and the holes directly above and below.*



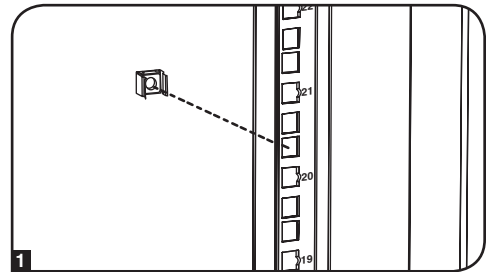
# Equipment Installation

## Installing or Removing Cage Nuts

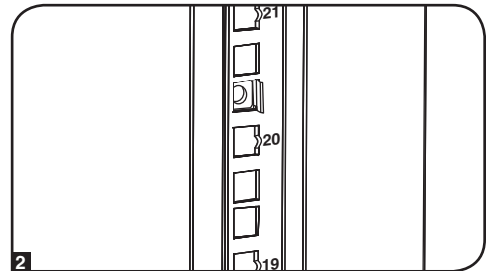
**WARNING:** The flanges of the cage nuts should engage the sides of the square opening in the rail, not the top and bottom. Follow the instructions in your equipment documentation to ensure proper installation of your equipment.

### Installing Cage Nuts

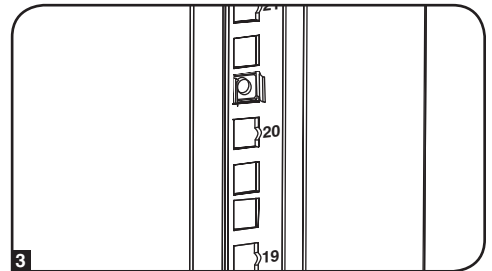
**1** Locate the numbered square openings in the mounting rails where you plan to install your equipment. You will install cage nuts (included) into the square openings in order to provide an attachment point for the mounting screws (included). *Note: Consult your equipment documentation to determine how many cage nuts will be required and where they will need to be installed.*



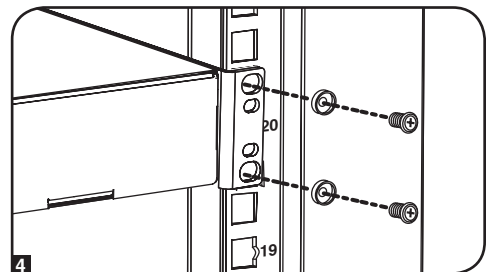
**2** From the inside of the mounting rail, insert one of the flanges of the cage nut through the square opening. Press it against the side of the square opening. Each flange should engage one side of the square opening, not the top or bottom.



**3** Compress the cage nut at the sides slightly to allow the remaining flange to fit through the square opening. When the cage nut is properly installed, both flanges will protrude through the square opening and will be visible on the outer surface of the mounting rail. Repeat steps 1-3 until all required cage nuts are installed.



**4** After installing the required cage nuts, use the included mounting screws and cup washers to secure your equipment to the rack rail. Place the cup washers between the screws and the equipment mounting brackets. *Note: Your equipment may also include mounting hardware. Read the mounting instructions that came with your equipment before installing your equipment.*



### To Remove Cage Nuts, Reverse Steps 1-3

*Note: You may wish to use a cage nut tool (user-supplied) to aid cage nut installation and removal.*

## Specifications

Model	Load Capacity		Unit Dimensions				Shipping Dimensions			
	Static	Rolling	Height	Width	Depth	Weight	Height	Width	Depth	Weight
SR2000	2000 lb (907 kg)	1500 lb (680 kg)	77.7 in (1974 mm)	23.63 in (600 mm)	43 in (1092 mm)	169 lb (77 kg)	82.7 in (2101 mm)	26 in (650 mm)	45 in (1140 mm)	219 lb (99 kg)

## Storage and Service

### Storage

The enclosure should be stored in a controlled indoor environment, away from moisture, temperature extremes, flammable liquids and gasses, conductive contaminants, dust and direct sunlight. Store the enclosure in its original shipping container if possible.

### Service

Your Tripp Lite product is covered by the warranty described in this manual. A variety of Extended Warranty and On-Site Service Programs are also available from Tripp Lite. For more information on service, visit [www.tripplite.com/support](http://www.tripplite.com/support). Before returning your product for service, follow these steps:

1. Review the installation and operation procedures in this manual to ensure that the service problem does not originate from a misreading of the instructions.
2. If the problem continues, do not contact or return the product to the dealer. Instead, visit [www.tripplite.com/support](http://www.tripplite.com/support).
3. If the problem requires service, visit [www.tripplite.com/support](http://www.tripplite.com/support) and click the Product Returns link. From here you can request a Returned Material Authorization (RMA) number, which is required for service. This simple on-line form will ask for your unit's model and serial numbers, along with other general purchaser information. The RMA number, along with shipping instructions, will be emailed to you. Any damages (direct, indirect, special or consequential) to the product incurred during shipment to Tripp Lite or an authorized Tripp Lite service center is not covered under warranty. Products shipped to Tripp Lite or an authorized Tripp Lite service center must have transportation charges prepaid. Mark the RMA number on the outside of the package. If the product is within its warranty period, enclose a copy of your sales receipt. Return the product for service using an insured carrier to the address given to you when you request the RMA.

# Warranty and Product Registration

## 5-Year Limited Warranty

Seller warrants this product, if used in accordance with all applicable instructions, to be free from original defects in material and workmanship for a period of 5 years from the date of initial purchase. If the product should prove defective in material or workmanship within that period, Seller will repair or replace the product, in its sole discretion.

THIS WARRANTY DOES NOT APPLY TO NORMAL WEAR OR TO DAMAGE RESULTING FROM ACCIDENT, MISUSE, ABUSE OR NEGLIGENCE. SELLER MAKES NO EXPRESS WARRANTIES OTHER THAN THE WARRANTY EXPRESSLY SET FORTH HEREIN. EXCEPT TO THE EXTENT PROHIBITED BY APPLICABLE LAW, ALL IMPLIED WARRANTIES, INCLUDING ALL WARRANTIES OF MERCHANTABILITY OR FITNESS, ARE LIMITED IN DURATION TO THE WARRANTY PERIOD SET FORTH ABOVE; AND THIS WARRANTY EXPRESSLY EXCLUDES ALL INCIDENTAL AND CONSEQUENTIAL DAMAGES. (Some states do not allow limitations on how long an implied warranty lasts, and some states do not allow the exclusion or limitation of incidental or consequential damages, so the above limitations or exclusions may not apply to you. This warranty gives you specific legal rights, and you may have other rights which vary from jurisdiction to jurisdiction).

WARNING: The individual user should take care to determine prior to use whether this device is suitable, adequate or safe for the use intended. Since individual applications are subject to great variation, the manufacturer makes no representation or warranty as to the suitability or fitness of these devices for any specific application.

## Warranty Registration

Visit [www.tripplite.com/warranty](http://www.tripplite.com/warranty) today to register your new Tripp Lite product. You'll be automatically entered into a drawing for a chance to win a FREE Tripp Lite product!\*

\* No purchase necessary. Void where prohibited. Some restrictions apply. See Web site for details.

## Regulatory Compliance Identification Numbers

For the purpose of regulatory compliance certifications and identification, your Tripp Lite product has been assigned a unique series number. The series number can be found on the product nameplate label, along with all required approval markings and information. When requesting compliance information for this product, always refer to the series number. The series number should not be confused with the marketing name or model number of the product.

## WEEE Compliance Information for Tripp Lite Customers and Recyclers (European Union)




Under the Waste Electrical and Electronic Equipment (WEEE) Directive and implementing regulations, when customers buy new electrical and electronic equipment from Tripp Lite they are entitled to:

- Send old equipment for recycling on a one-for-one, like-for-like basis (this varies depending on the country)
- Send the new equipment back for recycling when this ultimately becomes waste

Tripp Lite follows a policy of continuous improvement. Product specifications are subject to change without notice.

### Note on Labeling

This symbol is used on the product:  Ground Connection



# Manual del Propietario

## Gabinetes SmartRack<sup>®</sup> de la Serie 2000

<b>Instrucciones de Seguridad Importantes</b>	<b>14</b>	<b>Instalación del Equipo</b>	<b>21</b>
<b>Descripción</b>	<b>14</b>	Instalar o Remover las Tuercas de Jaula	<b>22</b>
<b>Identificación de Características</b>	<b>15</b>	<b>Especificaciones</b>	<b>23</b>
<b>Instalación del Estante</b>	<b>16</b>	<b>Almacenaje y Servicio</b>	<b>23</b>
Preparación	16	<b>Garantía</b>	<b>24</b>
Desempaque	16	<b>English</b>	<b>1</b>
Colocación	17	<b>Français</b>	<b>25</b>
Nivelación	18		
Conexión a Tierra	18		
<b>Configuración del Estante</b>	<b>19</b>		
Añadiendo o Removiendo las Puertas del Frente y Traseras	19		
Añadiendo o Removiendo los Paneles Laterales	19		
Ajustando los Rieles de Montaje	20		
Combinando [Baying] Estantes	21		



# Instrucciones de Seguridad Importantes

## CONSERVE ESTAS INSTRUCCIONES

Todas las secciones de este manual contienen instrucciones y advertencias que deberás seguirse durante la instalación y uso de los Estantes SmartRack descritos en este manual. Lea cuidadosamente todas las instrucciones y advertencias antes de intentar mover, instalar o usar los Bastidores SmartRack descritos en este manual. No adherirse a las instrucciones y advertencias de este manual crearán un riesgo de lesiones personales y daños a la propiedad y puede invalidar las garantía.

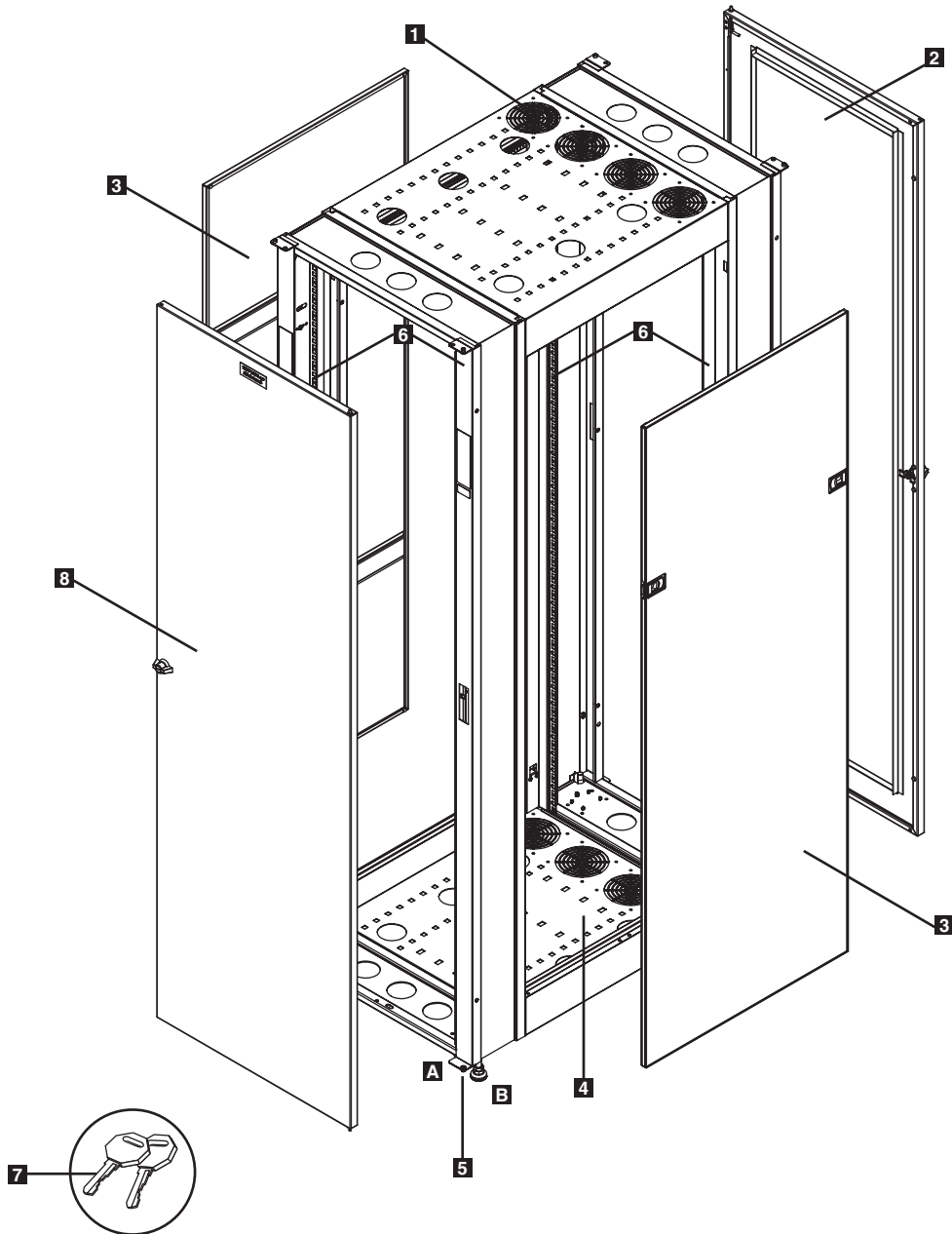
- Mantenga el estante en un ambiente al interior controlado, lejos de la humedad, temperaturas extremas, líquidos y gases inflamables, contaminantes conductores, polvo y luz solar directa.
- Deje un espacio adecuado al frente y atrás del estante para una ventilación adecuada. No bloquee, cubra o inserte objetos en las aberturas de ventilación externa del estante.
- El estante es extremadamente pesado. Tenga cuidado cuando maneje el estante. No intente desempacarlo, moverlo o instalarlo sin ayuda. Use algún dispositivo mecánico como un montacargas o gato para tarima [pallet jack] para mover el estante y el contenedor de embarque.
- No coloque ningún objeto sobre el estante, especialmente envases con líquidos y no intente apilar los estantes.
- Inspeccione el contenedor de embarque y el estante por posibles daños en el envío. No use el estante si está dañado.
- Deje el estante en el contenedor de embarque hasta que haya sido movido tan cerca como sea posible a su ubicación final. Las ruedas están diseñadas para ajuste de posición menores dentro del área de instalación final únicamente. Las ruedas no están diseñadas para par mover el estante sobre distancias más largas.
- Las ruedas no están diseñadas para dar soporte por largo tiempo al estante después de la instalación final. Use los niveladores/puntales para dar soporte por largo tiempo.
- Instale el estante en un área estructuralmente sólida con un piso nivelado que sea capaz de resistir el peso del estante, a todo el equipo que vaya a ser instalado en el estante y cualquier otro estante y/o equipo que vaya ser instalado cerca.
- No empuje el estante de los paneles laterales para moverlo. Empujándolo de los paneles laterales puede causar una volcadura.
- Cuando mueva el estante sobre sus ruedas siempre empújelo desde atrás, nunca lo jale hacia usted.
- Un estante en movimiento puede ocasionar lesiones personales y daños ala propiedad si nos es supervisado adecuadamente. Si es necesario rodar hacia abajo por una rampa al estante extreme precauciones. No intente usar rampas que tengan un declive mayor de 1:12.
- Sea precavido cuando corte el material de empaque. El estante se puede rayar causando un daño no cubierto por la garantía.
- Conserve todo el material de empaque para uso posterior. Reempacar y embarcar el estante sin el empaque original puede causar daños al producto que anularán su garantía.
- No envíe el estante con equipo adicional al menos que el estante haya sido enviado con un shock pallet especial [Tarima de uso pesado] (Modelos "SP1" únicamente). El peso combinado del estante y el equipo instalado no debe exceder la capacidad de la tarima. Tripp Lite no es responsable de ningún daño que ocurra durante el reenvío.
- Use el uso de este equipo en aplicaciones de soporte de vida en donde la falla de este equipo pueda hacer suponer que causará la falla del equipo de soporte de vida o significativamente afectar su seguridad o efectividad no es recomendado. No use este equipo en presencia de una mezcla anestésica inflamable con aire, oxígeno u óxido nítrico.

## Descripción

Los estantes SmartRack aceptan todos los equipos para montaje en bastidor estándar de 19 pulgadas, sin importa el proveedor y se entrega completamente ensamblado para una instalación rápida y fácil. Cuentan con gabinetes adaptables de uso pesado en alturas de 42U, 45U y 48U, con o sin paneles laterales. Varios modelos están disponibles con un shock pallet integrado que permiten a los distribuidores, integradores y clientes corporativos pre-configurar el equipo y reembarcar los estantes al sitio de la instalación final.

Los estantes SmartRack tienen profundidad para montaje variable, ideal para servidores. Hardware integrado para combinar estantes (baying) permite una expansión costo-efectiva, ordenada y eficiente. Los gabinetes incluyen puertas y paneles laterales de rápida liberación para un adecuado mantenimiento y puertas traseras divididas para un mejor acceso y requerimientos de espacio libre menores. Las puertas de acceso frontales son reversibles para flexibilidad en la instalación. Las puertas del frente, las traseras y los paneles laterales cuentan con cerradura.

## Identificación de Características



Se muestra el modelo SR2000. Otros modelos de la serie 2000 tendrán características similares indicándose cualquier diferencia que existiera.

- 1** Panel Superior/Techo con Puertos de Acceso por Cable
- 2** Puerta Trasera con Cerradura
- 3** Paneles Laterales con Cerradura de Longitud Completa (No se incluyen paneles laterales con los modelos "EXP".)
- 4** Panel Inferior con Puertos para Acceso de Cables
- 5** Ruedas **A** y Niveladores/Puntales **B**
- 6** Rieles de Montaje (Proporciona puntos de montaje vertical y horizontal para el equipo.)
- 7** Llaves (Para las puertas y los paneles laterales.)
- 8** Puerta Frontal con Cerradura

No se Muestra: Accesorios para montaje, documentación, ménsulas de embarque y otros materiales de embarque.

# Instalación del Estante



## ¡Precaución!

**¡Lea Todas las Instrucciones y Advertencias Antes de la Instalación!**



**ADVERTENCIA: El estante es extremadamente pesado. No trate de desempacar, mover o instalar el estante sin ayuda. Hasta que no haya sido adecuadamente instalado y estabilizado, el estante está propenso a volcarse y puede causar daños a la propiedad y/o lesiones personales. Extreme precauciones cuando maneje el estante y asegúrese de seguir todas las instrucciones de manejo e instalación. No intente instalar equipo sin antes haber estabilizado el estante.**

## Preparación

El estante debe instalarse en un área estructuralmente sólida con un piso nivelado que sea capaz de resistir el peso del estante, el equipo que será instalado en el estante y otros estantes y/o equipos instalados en la cercanía. Antes de desempacar el estante, deberá transportar el contenedor de embarque cerca de la ubicación de la instalación final a fin de minimizar la distancia que necesitará mover la unidad antes que el empaque de protección haya sido removido. Si piensa almacenar el estante por un periodo prolongado antes de instalarlo, siga las instrucciones indicadas en la sección **Almacenaje y Servicio**.

Necesitará varias herramientas (suministradas por el usuario):

- Llave de tuercas de boca abierta de 10 mm
- Llave de tuercas de boca abierta de 19 mm
- Navaja/Cutter
- Nivel de Carpintero
- Desatornillador Phillips
- Llave Hexagonal de 5/32"

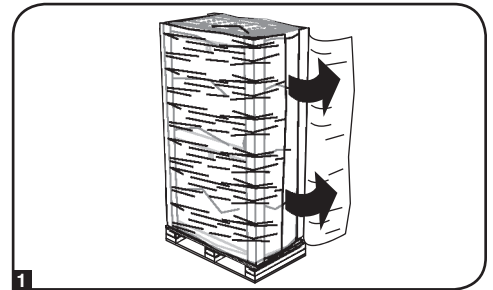
También necesitará los siguientes accesorios (incluidos):

- (60) Tornillos de montaje Phillips (M6 x 5/8")
- (60) Tuercas de Jaula (M6)
- (60) Rondana/arandela de copa de nylon

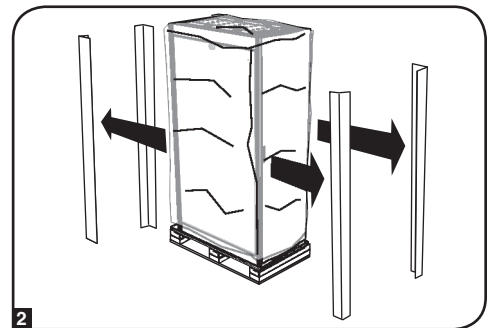
## Desempaque

**NOTA: Si el estante es un modelo "SP1" con shock pallet, siga las instrucciones de desempaque especiales adjuntas al contenedor de empaque en lugar de las instrucciones de desempaque de esta sección. Todas las advertencias también aplican.**

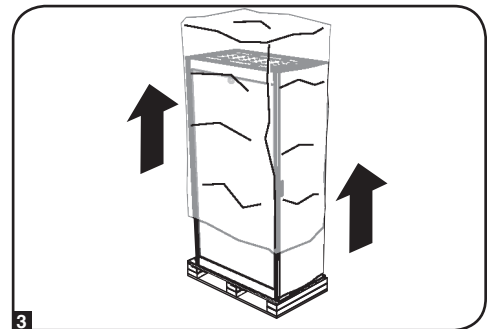
- 1** Confirme que el contenedor de embarque esta hacia arriba y estable, a continuación utilice una navaja para cortar la envoltura plástica [shrink wrap] conservando los protectores de las esquinas. Use la navaja directamente en las esquinas para evitar dañar el estante o cortar la bolsa protectora de plástico de uso pesado debajo de envoltura plástica. **ADVERTENCIA: No raye el estante o corte la bolsa de plástico de uso pesado debajo de la envoltura plástica. No empuje o jale el estante mientras lo desempaca.**



- 2** Remueva los protectores de las esquinas. Guarde todo el material de empaque (incluyendo la tarima) para uso posterior a menos de que tenga la certeza que ya no lo va a necesitar. Los materiales de empaque son reciclables.



- 3** Remueva la bolsa de plástico de uso pesado que cubre el estante. Examine el estante buscando cualquier daño o partes sueltas. Confirme que están todas las partes y piezas. Si cualquier parte está dañada o falta, comuníquese con Tripp Lite por ayuda. No trate de usar el estante si éste está dañado.

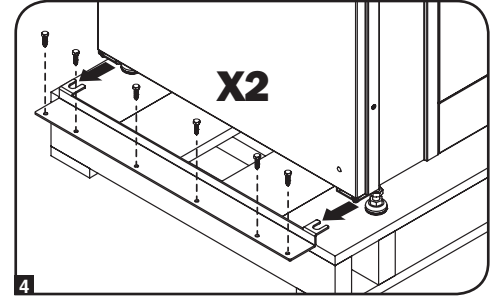




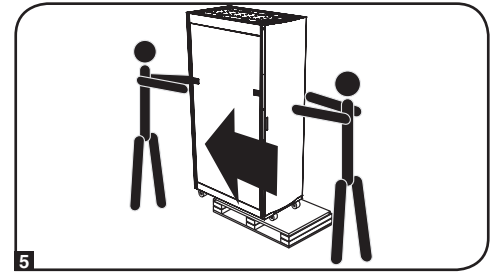
# Instalación del Estante

## Desempaque (continuación)

- 4 Use una llave de tuercas de boca abierta de 10 mm para quitar los soportes de embarque. Extreme precauciones ya que el estante podría moverse inesperadamente después que haya quitado los soportes. Conserve los soportes de embarque y los tornillos para uso posterior.

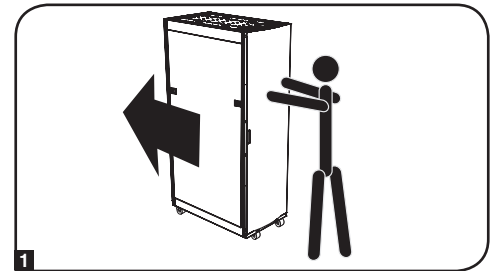


- 5 Coloque al menos una persona al frente del estante y otra en la parte de atrás del estante. Lentamente empuje el estante hacia atrás de la tarima de embarque hasta que las cuatro ruedas rebasen totalmente la parte posterior de la tarima y estén en el piso. **ADVERTENCIA: Use al menos un ayudante para mover el estante de la tarima. Extreme precauciones cuando mueva el estante.**



## Colocación

- 1 Use las ruedas para mover el estante cortas distancias sobre una superficie nivelada, suave y estable empujándolo por atrás (no de los paneles laterales). No trate de rodar el estante por largas distancias. El estante deberá moverse lo más cerca que sea posible al lugar de la ubicación final dentro del contenedor de embarque antes de desempacarlo. (Use un montacargas o gato para tarima para mover el contenedor de embarque.) **ADVERTENCIA: No empuje o jale el estante de los paneles laterales o jale el estante hacia usted.**

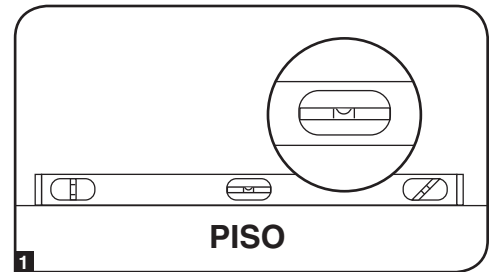


# Instalación del Estante

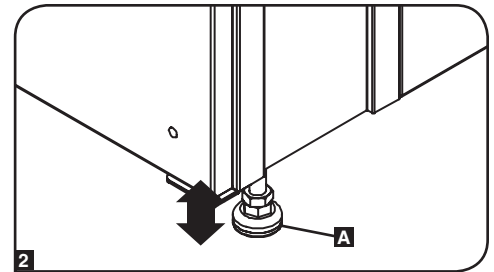
## Nivelación

**ADVERTENCIA:** Nivele el estante antes de intentar instalar el equipo. Las ruedas no están diseñadas para dar soporte por largo tiempo al estante. Use los niveladores/puntales para dar soporte por largo tiempo. Instale el estante en un área estructuralmente sólida con un piso nivelado que sea capaz de resistir el peso del estante, a todo el equipo que vaya a ser instalado en el estante y cualquier otro estante y/o equipo que vaya ser instalado cerca.

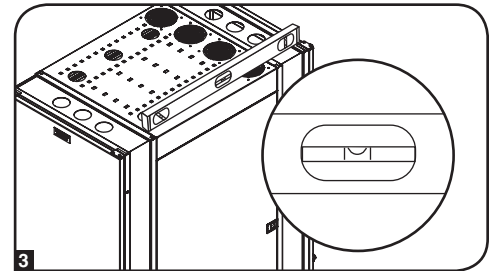
**1** Después que el estante haya sido movido al lugar de instalación, use un nivel de carpintero para revisar la pendiente del piso. Si el piso tiene una pendiente de más de 1% escoja otro lugar para la instalación.



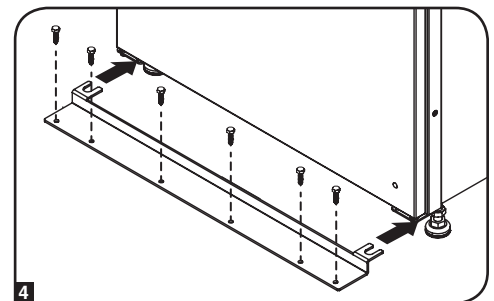
**2** Use una llave de tuercas de boca abierta de 19 mm para bajar cada nivelador/puntal **A** hasta que toque el piso. (Hay 4 niveladores, 2 al frente y 2 atrás.) Asegúrese que cada nivelador haga contacto sólido con el piso. *Nota: Baje un nivelador girándolo en el sentido de las manecillas del reloj, elévelo girándolo en contra del sentido de las manecillas del reloj.*



**3** Después de bajar cada nivelador, use el nivel de carpintero para confirmar que el estante está nivelado en todas las direcciones. Ajuste los niveladores hasta que el estante esté nivelado.

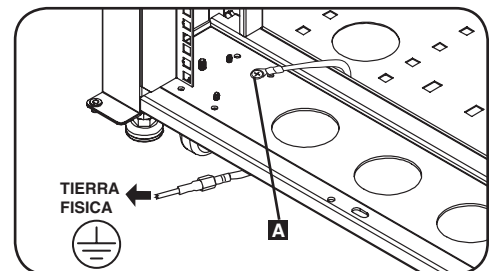


**4** (Opcional) Si desea proporcionar una medida adicional de estabilidad, puede utilizar los 4 soportes de embarque y accesorios que fijan el gabinete a la tarima de embarque. Use una llave abierta de 10 mm para asegurar los soportes de instalación en el piso usando los accesorios proporcionados por el usuario.



## Conexión a Tierra

Todas las partes del estante están conectadas a tierra al marco del estante. Use los puntos con cuerda de conexión a tierra al frente o atrás del estante **A** y un tornillo M6 (incluido) para conectar el marco del estante directamente a la tierra física de sus instalaciones con un cable 8 AWG (3.264 mm). Enrute el cable de tierra por debajo del marco del estante para asegurar una operación de la puerta correctamente articulada. **ADVERTENCIA:** Fije la conexión a tierra de cada estante por separado. No use el estante sin una adecuada conexión a tierra.



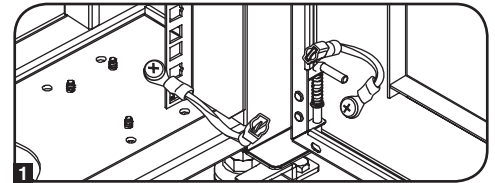
# Configuración del Estante

## Añadiendo o Removiendo las Puertas del Frente y Traseras

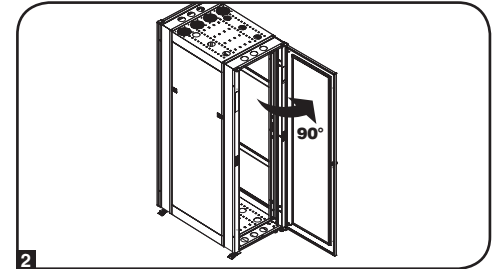
**ADVERTENCIA:** No intente añadir o remover las puertas sin ayuda.

### Removiendo la Puerta

**1** Desconecte el cable de conexión a tierra de la puerta.



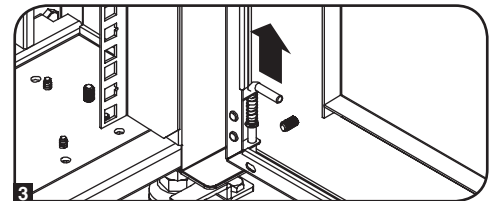
**2** Abra la puerta hasta que este perpendicular (90 grados) al frente del estante.



**3** Soulever la broche de ferme-porte en forme de « L ». Une fois la broche dégagée, soulever la porte, la sortir des charnières et la retirer du boîtier.

### Para Reinstalar la Puerta, Revierta los Pasos 1 a 3

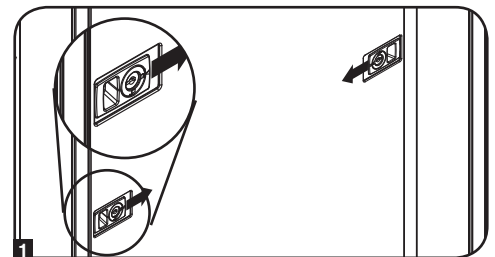
(Opcional) Si el estante está unido a otro estante, gire la puerta hacia el estante mientras la saca de sus bisagras.



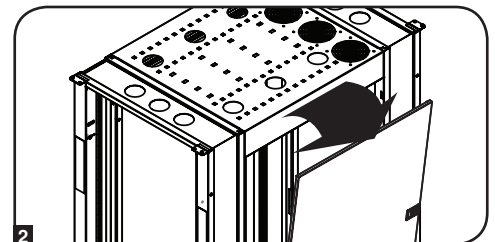
## Añadiendo o Removiendo los Paneles Laterales

### Removiendo el Panel Lateral

**1** Glisser les deux loquets déverrouillés pour dégager le panneau.

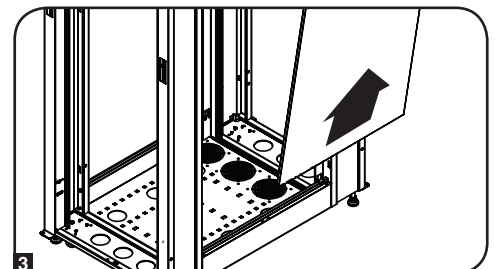


**2** Incline la parte superior del panel hacia afuera del estante.



**3** Levante el panel del corsé que lo sustenta.

### Para Reinstalar el Panel Lateral, Revierta los Pasos 1 a 3



# Configuración del Estante

## Ajustando los Rieles de Montaje

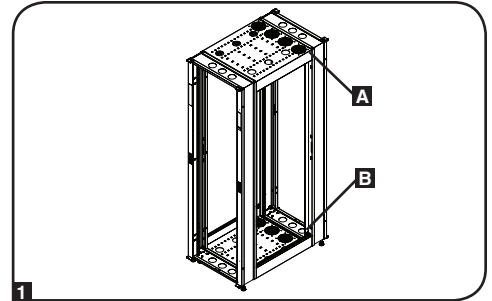
**ADVERTENCIA:** No intente ajustar los rieles sin asistencia. No intente ajustar los rieles con equipo instalado en el estante. No intente usar los rieles sin haber instalado todos los tornillos.

Les profondeurs de montage globales de l'équipement se situant entre 575 et 756 mm (22 5/8 et 29 3/4 po) peuvent être atteintes en ajustant les rails avant et arrière.

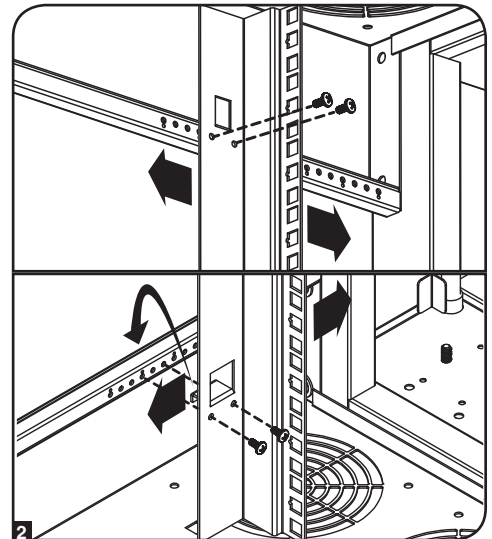
Los rieles de instalación están pre instalados para acomodar equipo con una profundidad de instalación de 756 mm (29 pulgadas). No ajuste los rieles de montaje a menos que su equipo requiera una diferente profundidad par su montaje. Les rails de montage arrière peuvent être ajustés de façon indépendante par incréments de 9,5 mm (3/8 po) pour différentes profondeurs de montage.

## Réglage du rail arrière

**1** Cada riel de montaje trasero está conectado al estante con 4 tornillos - 1 par en la barra superior **A** y 1 par en la barra de hasta abajo **B**.

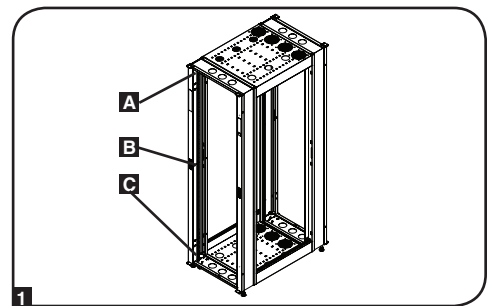


**2** Remueva los tornillos que sujetan cada uno de los rieles de montaje traseros al estante. Deslice los rieles de instalación a la profundidad deseada y vuélvalos a fijar usando los tornillos que retiró.

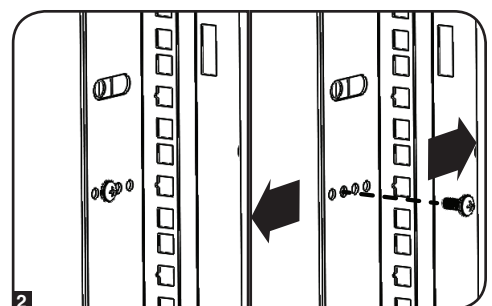


## Réglage du rail avant

**1** Chaque rail de montage avant est monté sur le cadre du boîtier en utilisant 3 vis - 1 vis au niveau du montant supérieur **A**, 1 vis au niveau du montant du milieu **B** et 1 vis au niveau du montant inférieur **C**.



**2** Remueva los tornillos que sujetan cada uno de los rieles de montaje frontales al estante. Deslice los rieles de instalación a la profundidad deseada y vuélvalos a fijar usando los tornillos que retiró.

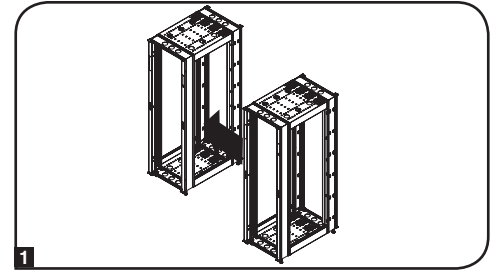


## Configuración del Estante

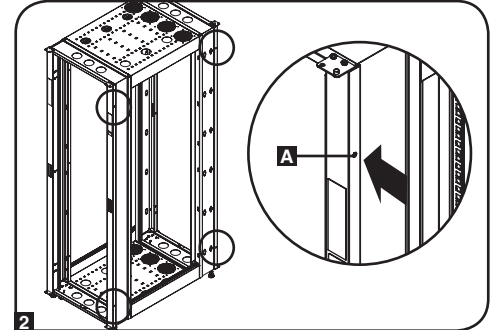
### Combinando [Baying] Estantes

**ADVERTENCIA:** Combinar estantes no es un sustituto para estabilizar los estantes. Cada estante en una bahía de estantes combinados requiere las mismas medidas de estabilización que un solo estante en forma independiente.

**1** Coloque los estantes en la posición correcta para combinarlos [baying].

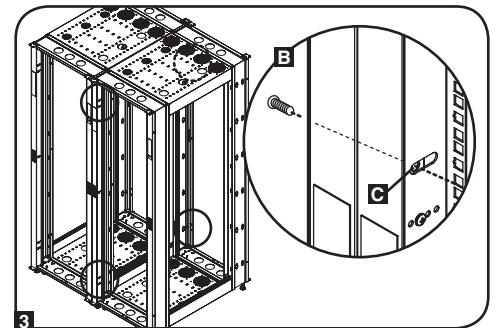


**2** Cada estante incluye cuatro puntos de conexión **A**. Alinea los puntos de conexión de los estantes.



**3** Una vez hecho el posicionamiento deseado de los gabinetes y se hayan alineado las conexiones del grupo de gabinetes, inserte un tornillo con rosca 1/4-20 en el punto de conexión del grupo de gabinetes **B**. Coloque el tornillo hasta que su rosca ajusten dentro de la tuerca hexagonal soldada del gabinete contiguo **C**. Repita para todos los puntos de conexión del grupo de gabinetes. Si no se requiere ajuste adicional, apriete todos los tornillos.

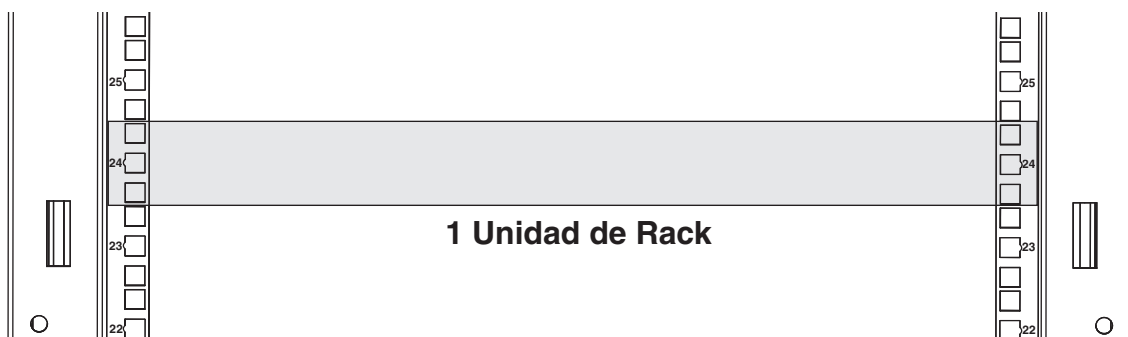
*Nota: Puede querer remover las puertas de los estantes antes de juntarlos. Reinstalar posteriormente las puertas es opcional. Remueva el panel lateral interior antes de combinar [baying] los estantes si quiere que haya acceso entre los estantes.*



## Instalación del Equipo

**ADVERTENCIA:** No instale ningún equipo hasta que haya estabilizado el estante. Instale primero el equipo más pesado e instálelo hacia el fondo del bastidor. Instale el equipo comenzando desde el fondo del estante y continuando hacia la parte superior del estante - nunca al revés. Si usa rieles para equipo deslizante sea cuidadoso cuando extienda los rieles. No extienda más de un juego de rieles a la vez. Evite extender los rieles de los equipos deslizables cerca de la parte superior del estante.

*Nota: Los hoyos cuadrados en medio de cada unidad de rack están numerados y también incluyen una pequeña muesca para ayudar a identificarlos. Una sola unidad de rack incluye el espacio ocupado por el hoyo numerado y los hoyos directamente arriba y abajo.*



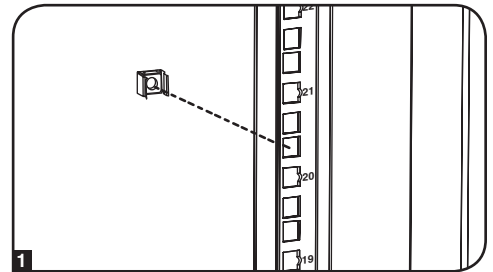
# Instalación del Equipo

## Instalar o Remover las Tuercas de Jaula

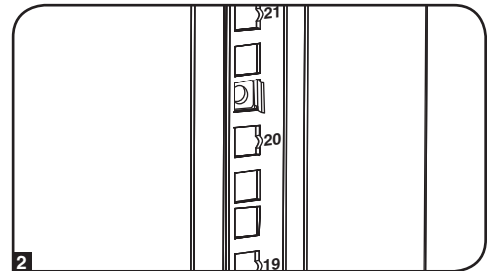
**ADVERTENCIA:** Las pestañas de las tuercas de jaula deben encajar en ambos lados de las aperturas cuadradas en el riel, no arriba y abajo. Siga las instrucciones en la documentación de su equipo para asegurarse de una instalación correcta de su equipo.

### Instalando las Tuercas de Jaula

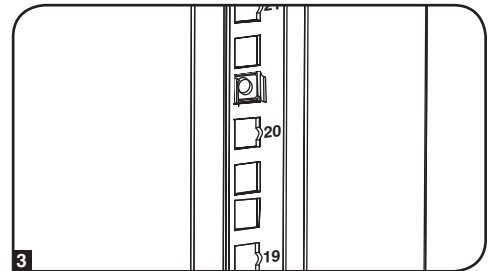
**1** Localice las aperturas cuadradas numeradas en los rieles de montaje en donde planea instalar su equipo. Instale las tuercas de jaula (incluidas) en las perforaciones cuadradas a fin de proporcionar un punto de fijación para montar los tornillos (incluidos). *Nota: Consulte la documentación de su equipo para determinar cuantas tuercas de jaula se necesitarán y en donde se necesitará colocarlos.*



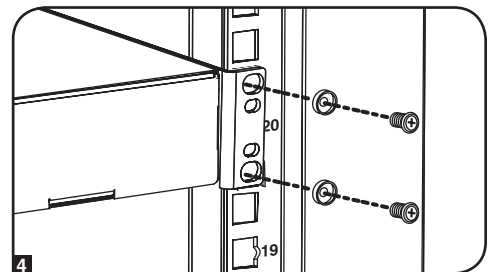
**2** Desde el interior del riel de montaje, inserte una de las pestañas a través de la apertura cuadrada. Presiónela contra los lados de la perforación cuadrada. Cada pestaña debe encajar a un lado de la perforación cuadrada, no arriba o abajo.



**3** Comprima ligeramente la tuerca de jaula de los lados para permitir la pestaña restante ajustarse dentro de la apertura cuadrada. Cuando las tuercas estén adecuadamente instaladas, ambas pestañas sobresaldrán a través de la apertura cuadrada y serán visibles en la superficie exterior del riel de montaje. Repita los pasos 1 a 3 hasta que todas las tuercas de jaula requeridas estén instaladas.



**4** Posteriormente a haber instalado las tuercas de jaula requeridas, use los tornillos de montaje incluidos y rondanas de copa para asegurar su equipo en el riel del rack. Coloque las rondanas de copa entre los tornillos y las abrazaderas de montaje del equipo. *Nota: Su equipo puede incluir su propio hardware de montaje. Lea las instrucciones que acompañan a su equipo antes de instalar el equipo.*



### Para Quitar las Tuercas de Jaula, Invierta los Pasos 1 a 3

*Nota: Puede querer usar una pinza para tuercas de jaula (suministrada por el usuario) para ayudarse en la instalación y remoción de las tuercas de jaula.*

## Especificaciones

Modelo	Capacidad de Carga		Dimensiones de la Unidad				Dimensiones de Embarque			
	Estático	Rodando	Alto	Ancho	Fondo	Peso	Alto	Ancho	Fondo	Peso
SR2000	907 kg (2000 lb)	680 kg (1500 lb)	1974 mm (77.7 pulg.)	600 mm (23.63 pulg.)	1092 mm (43 pulg.)	77 kg (169 lb)	2101 mm (82.7 pulg.)	650 mm (26 pulg.)	1140 mm (45 pulg.)	99 kg (219 lb)

## Almacenaje y Servicio

### Almacenaje

El estante debe almacenarse en un ambiente al interior controlado, lejos de la humedad, temperaturas extremas, líquidos y gases inflamables, contaminantes conductores, polvo y luz solar directa. Almacene el estante si es posible en su empaque original.

### Servicio técnico

Su producto Tripp Lite está cubierto por la garantía descrita en este manual. Tripp Lite también pone a su disposición una variedad de Garantías extendidas y Programas de servicio técnico en el sitio. Si desea más información sobre el servicio técnico, visite [www.tripplite.com/support](http://www.tripplite.com/support). Antes de devolver su producto para servicio técnico, siga estos pasos:

1. Revise la instalación y los procedimientos de operación que se encuentran en este manual para asegurarse de que el problema de servicio no se debe a una mala lectura de las instrucciones.
2. Si el problema persiste, no se comunique ni devuelva el producto al mayorista. En cambio, visite [www.tripplite.com/support](http://www.tripplite.com/support).
3. Si el problema exige servicio técnico, visite [www.tripplite.com/support](http://www.tripplite.com/support) y haga clic en el enlace Devoluciones de productos. Desde aquí puede solicitar un número de Autorización de Material Devuelto (RMA), que se necesita para el servicio técnico. En este sencillo formulario en línea se le solicitarán los números de serie y modelo de la unidad, junto con otra información general del comprador. El número RMA y las instrucciones para el envío se le enviarán por correo electrónico. La presente garantía no cubre ningún daño (directo, indirecto, especial o consecuencial) del producto que ocurra durante el envío a Tripp Lite o a un centro de servicio técnico de Tripp Lite autorizado. Los productos enviados a Tripp Lite o a un centro de servicio técnico de Tripp Lite autorizado deben tener prepagos los cargos de transporte. Escriba el número RMA en el exterior del embalaje. Si el producto se encuentra dentro del período de garantía, adjunte una copia de su recibo de venta. Envíe el producto para servicio técnico mediante un transportador asegurado a la dirección que se le proporcionó cuando solicitó el número RMA.

# Garantía

## Garantía Limitada por 5 Años

El Vendedor garantiza este producto, si es usado de acuerdo a las instrucciones aplicables de estar libre de defectos de origen en materiales y mano de obra por un periodo de 5 años. Si el producto mostrara defectos en materiales o mano de obra dentro de ese periodo contados a partir de la fecha de la compra original, el Vendedor reparará o reemplazará el producto a su completa discreción.

ESTA GARANTIA NO APLICA POR EL USO NORMAL O DAÑOS RESULTANTES DE ACCIDENTES, MAL USO, ABUSO O NEGLIGENCIA. EL VENDEDOR NO EXPRESA OTRAS GARANTIAS QUE NO SEA LA GARANTIA EXPRESAMENTE ESTABLECIDA AQUI. EXCEPTO POR LO PROHIBIDO POR LAS LEYES APLICABLES, TODAS LAS GARANTIAS IMPLICADAS, INCLUYENDO TODAS LAS GARANTIAS DE MERCANTIBILIDAD O CONVENIENCIA, SON LIMITADAS AL PERIODO ESTABLECIDO CON ANTERIORIDAD ARRIBA, Y ESTA GARANTIA EXPRESAMENTE EXCLUYE TODOS LOS DAÑOS INCIDENTALES Y CONSEQUENTES. (Algunos estados no permiten limitaciones sobre la duración de una garantía implícita y algunos estados no permiten la exclusión o limitación de daños incidentales o consecuentes, de modo que las limitaciones o exclusiones de arriba no puedan aplicarse a Usted. Esta garantía le da derechos legales específicos y usted puede tener otros derechos que varían de jurisdicción en jurisdicción).

ADVERTENCIA: Los usuarios deberán tener cuidado en determinar, en forma individual, antes de usar este dispositivo si éste es adecuado o seguro para el uso que se le quiere dar. Dado que las aplicaciones individuales están sujetas a una gran variedad, el fabricante no garantiza ni establece la adecuación, conveniencia o correctibilidad de su uso para una aplicación específica.

## Cumplimiento de las normas de los números de identificación

Para fines de identificación y certificación del cumplimiento de las normas, su producto Tripp Lite tiene asignado un número de serie único. Puede encontrar el número de serie en la etiqueta de la placa de identificación del producto, junto con los símbolos de aprobación e información requeridos. Al solicitar información sobre el cumplimiento de las normas para este producto, siempre mencione el número de serie. El número de serie no debe ser confundido con el nombre de identificación ni con el número de modelo del producto.

## Información de sobre Cumplimiento de la WEEE para Clientes de Tripp Lite y Recicladores (Unión Europea)




Según la Directiva de Residuos de Aparatos Eléctricos y Electrónicos (Waste Electrical and Electronic Equipment, WEEE) y sus reglamentos, cuando los clientes compran nuevos equipos eléctricos y electrónicos a Tripp Lite, tienen derecho a:

- Enviar equipos antiguos para reciclaje según una base de uno por uno, entre productos similares (esto varía dependiendo del país)
- Enviar el equipo nuevo de vuelta para reciclaje cuando este se convierta finalmente en desecho

Tripp Lite tiene una política de mejoramiento continuo. Las especificaciones están sujetas a cambio sin previo aviso.

### Nota Sobre el Etiquetado

Este símbolo se usa en el producto:  Conexión a Tierra





# Guide du propriétaire

## Boîtiers SmartRack<sup>®</sup> série 2000

<b>Importantes consignes de sécurité</b>	<b>26</b>	<b>Installation de l'équipement</b>	<b>33</b>
<b>Vue d'ensemble</b>	<b>26</b>	Installation ou enlèvement des écrous à cage	<b>34</b>
<b>Identification des caractéristiques</b>	<b>27</b>	<b>Caractéristiques techniques</b>	<b>35</b>
<b>Installation de l'armoire</b>	<b>28</b>	<b>Entreposage et entretien</b>	<b>35</b>
Préparation	28	<b>Garantie</b>	<b>36</b>
Déballage	28	<b>English</b>	<b>1</b>
Mise en place	29	<b>Español</b>	<b>13</b>
Mise à niveau	30		
Mise à la terre	30		
<b>Configuration de l'armoire</b>	<b>31</b>		
Poser ou enlever les portes avant et arrière	31		
Pose et enlèvement des panneaux latéraux	31		
Ajustement des profilés de montage	32		
Combinaison (assemblage en baie) d'armoires de stockage	33		



## Importantes consignes de sécurité

### CONSERVER CES CONSIGNES

Ce guide contient des instructions et des mises en garde qu'il faut suivre pendant l'installation et l'utilisation des armoires de stockage SmartRack décrites dans ce manuel. Lire attentivement toutes les instructions et les mises en garde avant de déplacer, installer ou utiliser les armoires de stockage SmartRack décrites dans ce manuel. Le non-respect de ces consignes créera un risque de blessure ou de dégâts matériels et pourrait annuler la garantie.

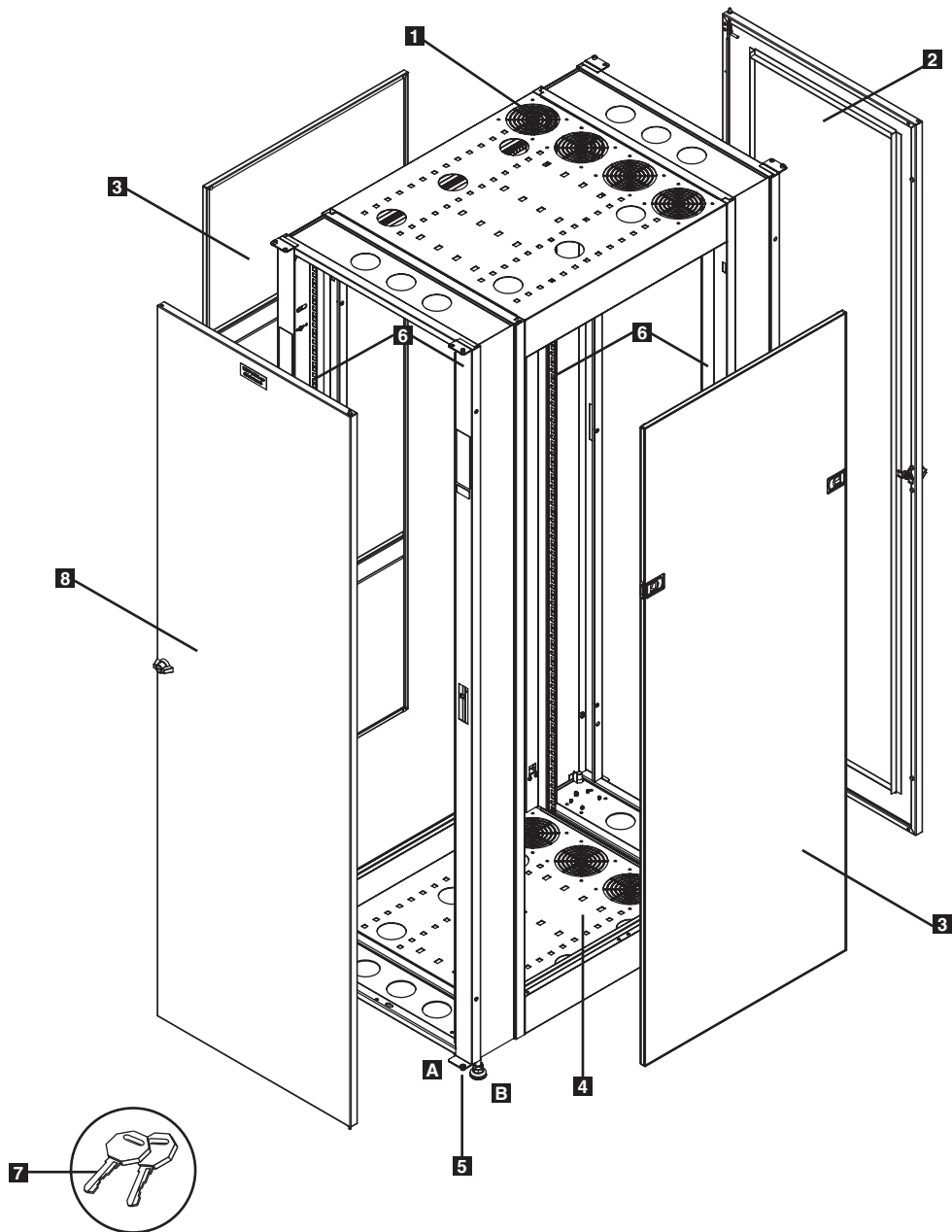
- Maintenir l'armoire dans un environnement intérieur contrôlé, à l'abri de l'humidité, des températures extrêmes, des liquides et des gaz inflammables, de contaminants conducteurs, de la poussière et de la lumière directe du soleil.
- Laisser un espace suffisant à l'avant et à l'arrière de l'armoire pour garantir une bonne circulation d'air. Ne pas bloquer, couvrir ou introduire des objets dans les ouvertures externes de ventilation de l'armoire.
- Cette armoire est très lourde. Faire attention lors de la manutention de l'armoire. Ne pas essayer de la débarrer, de la déplacer ou de l'installer sans aide. Utiliser un appareil mécanique comme un chariot élévateur ou une transpalette à main pour déplacer l'armoire dans le conteneur d'expédition.
- Ne poser aucun objet sur l'armoire, en particulier des contenants de liquide, et ne pas essayer d'empiler les armoires.
- Inspecter le conteneur d'expédition et l'armoire pour vérifier si elle a été endommagée lors de l'expédition. Ne pas utiliser l'armoire si elle a été endommagée.
- Laisser l'armoire dans le conteneur d'expédition pour la déplacer aussi près que possible de l'emplacement final de l'installation. Les roulettes ne sont destinées qu'à des ajustements mineurs de position dans l'aire de l'installation finale. Les roulettes ne sont pas conçues pour déplacer l'armoire sur de plus longues distances.
- Les roulettes ne sont pas conçues pour servir de support à long terme à l'armoire après l'installation finale. Utiliser les vérins de calage pour servir de support à long terme.
- Installer l'armoire dans une aire à structure solide dont le plancher de niveau est capable de supporter le poids de l'armoire, de tout l'équipement qui sera installé dans l'armoire et des autres armoires et équipements qui seront installés à proximité.
- Ne pas pousser sur les panneaux latéraux de l'armoire pour la déplacer. Procéder ainsi causera un risque de basculement.
- Lors d'un déplacement de l'armoire sur ses roulettes, toujours pousser de l'arrière, ne jamais tirer vers soi.
- Un déplacement sur roulettes mal surveillé de l'armoire peut causer des blessures ou des dégâts matériels. Faire très attention s'il faut faire descendre une rampe d'accès à l'armoire sur roulettes. Ne pas essayer d'utiliser des rampes d'accès avec une pente plus raide que 1 : 12.
- Faire attention lors de la coupe des matériaux d'emballage. L'armoire pourrait être égratignée, entraînant des dommages non couverts par la garantie.
- Conserver tous les matériaux d'emballage pour une future utilisation. Réemballer et expédier l'armoire sans son emballage original pourrait causer des dommages qui annuleraient la garantie.
- Ne pas réexpédier l'armoire avec de l'équipement supplémentaire sauf si elle a été expédiée avec une palette antichoc spéciale (Modèle « SP1 » uniquement). Le poids combiné de l'armoire et de l'équipement installé ne doit pas dépasser la capacité de charge de la palette. Tripp Lite n'est pas responsable des dommages ayant lieu durant une réexpédition.
- Il est déconseillé d'utiliser cet équipement dans des applications médicales où une panne de cet équipement pourrait normalement provoquer la panne de l'équipement de survie ou altérer notablement sa sécurité ou son efficacité. Ne pas utiliser cet équipement en présence d'un mélange anesthésique inflammable avec de l'air, de l'oxygène ou de l'oxyde nitreux.

## Vue d'ensemble

Les armoires de stockage SmartRack peuvent recevoir tous les équipements standard de 19 po pour montage en bâti, quelque soit le fournisseur, et sont expédiées entièrement montées pour une mise en place rapide et facile. Ce sont des armoires compatibles et robustes dans des hauteurs de 42U, 45U et 48U, avec ou sans panneaux latéraux. Plusieurs modèles sont disponibles avec une palette antichoc intégrée qui permet aux revendeurs, aux intégrateurs et aux clients d'entreprise de préconfigurer l'équipement et de réexpédier les armoires sur le site de l'installation finale.

Les armoires de stockage SmartRack offrent différentes profondeurs de montage, idéales pour les serveurs. La quincaillerie intégrée pour le montage en bâti permet une expansion économique, méthodique et efficace. Les armoires comprennent une porte à déverrouillage rapide et des panneaux latéraux pour un entretien pratique ainsi que deux portes arrière pour un meilleur accès et des espaces de dégagement réduits. Les portes avant sont réversibles pour la souplesse d'installation. Les portes avant et arrière et les panneaux latéraux sont verrouillables.

## Identification des caractéristiques



Le modèle SR2000 est illustré. D'autres modèles de la série 2000 comporteront des caractéristiques semblables dont les différences seront indiquées.

- 1** Panneau supérieur avec ports d'accès de câble
- 2** Porte arrière verrouillable
- 3** Panneaux latéraux intégraux verrouillables (Les panneaux latéraux ne sont pas compris avec les modèles « EXP ».)
- 4** Panneau inférieur avec entrées pour câbles
- 5** Roulettes **A** et vérins de calage **B**
- 6** Profils de montage (Offrent des points de montage horizontaux et verticaux pour l'équipement.)
- 7** Clés (Pour les portes et les panneaux latéraux.)
- 8** Porte avant verrouillable

Non illustrés : Quincaillerie de montage, documentation, pattes de fixation et autres matériaux d'expédition.

# Installation de l'armoire



## Attention!

**Lire toutes les instructions et les mises en garde avant l'installation!**



**MISE EN GARDE : Cette armoire de bâti est très lourde. Ne pas essayer de la déballer, de la déplacer ou de l'installer sans aide. Jusqu'à ce qu'elle soit correctement installée et stabilisée, l'armoire a tendance à basculer et peut causer des dégâts matériels et des blessures. Faire très attention lors de la manutention de l'armoire et veiller à suivre toutes les instructions de manutention et d'installation. Ne pas essayer d'installer de l'équipement sans avoir d'abord stabilisé l'armoire**

## Préparation

Il faut installer l'armoire dans une aire à structure solide dont le plancher de niveau est capable de supporter le poids de l'armoire, de tout l'équipement qui sera installé dans l'armoire et des autres armoires et équipements qui seront installés à proximité. Avant de déballer l'armoire, vous devez transporter le conteneur d'expédition à proximité de l'emplacement de l'installation finale pour réduire la distance de déplacement de l'appareil une fois que l'emballage protecteur aura été enlevé. Si vous planifiez d'entreposer l'armoire pendant une période prolongée avant installation, suivre les instructions du chapitre **Entreposage et service**.

Vous aurez besoin de plusieurs outils (fourni par l'utilisateur) :

- Une clé ouverte de 10 mm
- Une clé ouverte de 19 mm
- Un couteau universel
- Un niveau de charpentier
- Un tournevis Phillip
- Une clé hexagonale de 5/32 po

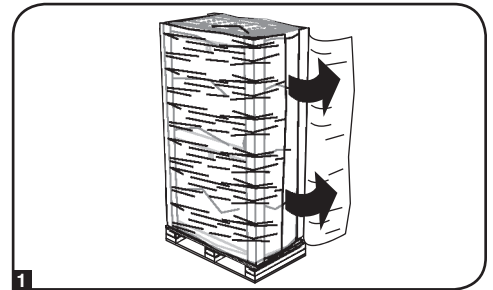
Vous aurez aussi besoin de la quincaillerie suivante (fournie) :

- (60) vis Phillips (M6 x 5/8 po)
- (60) Écrous à cage (M6)
- (60) Rondelles à collerette en nylon

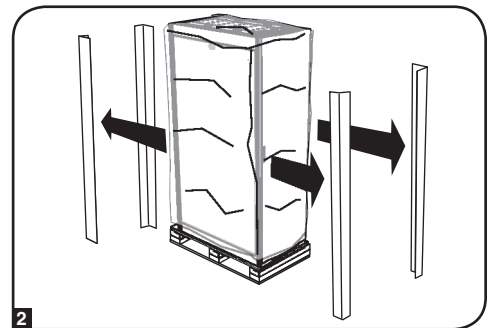
## Déballage

**REMARQUE : Si l'armoire est un modèle « SP1 » avec une palette antichoc, suivre les instructions spéciales de déballage jointes au conteneur d'expédition plutôt que celles de ce chapitre. Cependant, toutes les mises en garde s'appliquent.**

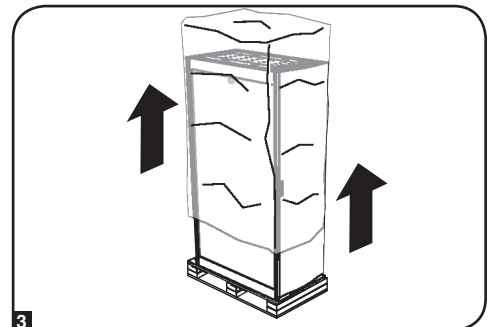
- 1** Vérifier que le conteneur d'expédition est vertical et stable; utiliser ensuite un couteau universel pour couper le film thermorétractable qui retient les cornières de protection. Appliquer le couteau universel directement au-dessus des cornières pour éviter d'égratigner l'armoire ou de couper le solide sac protecteur en plastique sous le film thermorétractable. **MISE EN GARDE : Ne pas égratigner l'armoire ou couper le solide sac protecteur en plastique sous le film thermorétractable. Ne pas pousser ni tirer l'armoire lors du déballage.**



- 2** Retirer les cornières de protection. Conserver tous les matériaux d'emballage (y compris la palette) pour une utilisation ultérieure sauf si vous êtes certain de ne plus en avoir besoin. Les matériaux d'emballage sont recyclables.



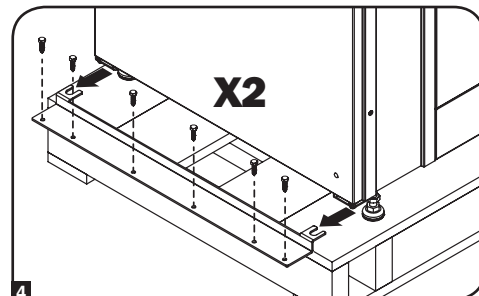
- 3** Retirer le lourd sac de plastique entourant l'armoire. Examiner l'armoire pour vérifier si elle est endommagée ou s'il manque des pièces. Vérifier la présence de toutes les pièces. Si quoi que ce soit manque ou est endommagé, communiquer avec Tripp Lite pour de l'aide. Ne pas essayer d'utiliser l'armoire si elle a été endommagée.



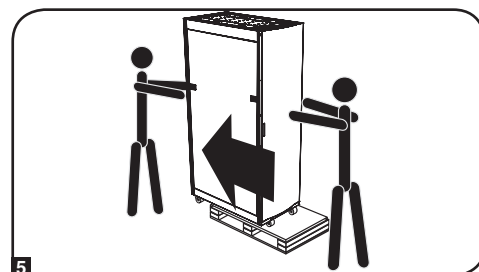
# Installation de l'armoire

## Déballage (suite)

- 4 Utiliser la clé ouverte de 10 mm pour retirer les pattes de fixation. Faire preuve d'extrême prudence, car l'armoire peut bouger accidentellement après le retrait des pattes. Conserver les pattes de fixation et leur visserie pour une utilisation ultérieure.

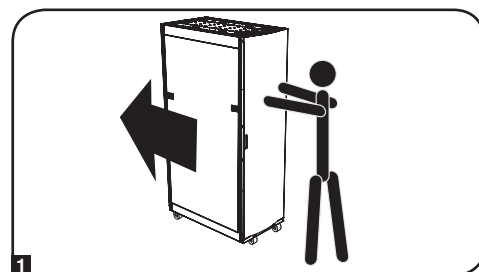


- 5 Placer au moins une personne à l'avant et une autre à l'arrière de l'armoire. Pousser lentement l'armoire vers l'arrière de la palette d'expédition jusqu'à ce que les quatre roulettes passent le bord de la palette et touchent le sol. **MISE EN GARDE : Avoir au moins l'aide d'un assistant lorsque l'armoire est retirée de la palette. Faire extrêmement attention en déplaçant l'armoire.**



## Mise en place

- 1 Déplacer l'armoire sur ses roulettes sur une courte distance sur une surface horizontale, lisse et stable en la poussant par l'avant ou par l'arrière (pas par les panneaux latéraux). Ne pas essayer de déplacer l'armoire sur de longues distances. Il faut déplacer l'armoire près de l'emplacement de son installation dans le conteneur d'expédition avant de la déballer. (Utiliser un chariot élévateur ou une transpalette à main pour déplacer le conteneur d'expédition.). **MISE EN GARDE : Ne pas se servir des panneaux latéraux pour pousser ou tirer l'armoire et ne pas la tirer vers soi.**



# Installation de l'armoire

## Mise à niveau

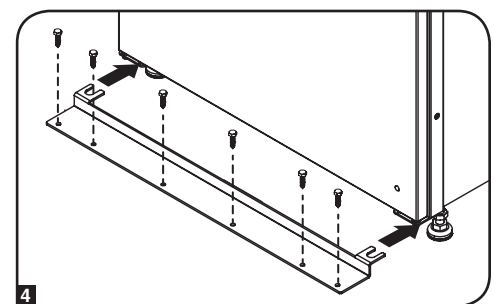
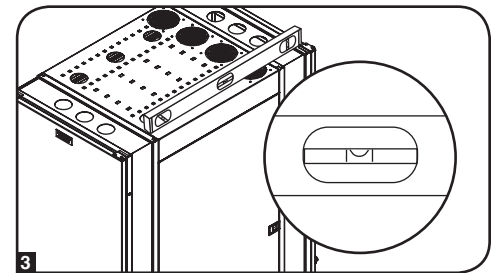
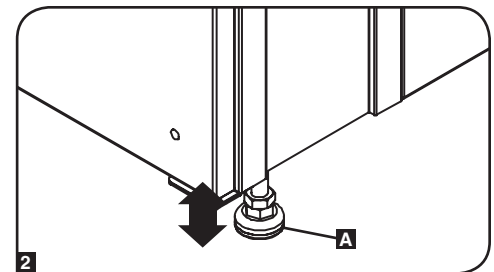
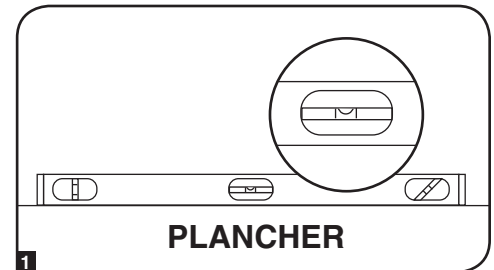
**MISE EN GARDE :** Mettre l'armoire à niveau avant d'installer l'équipement. Les roulettes ne sont pas conçues pour servir de support à long terme à l'armoire après l'installation finale. Utiliser les vérins de calage pour servir de support à long terme. Installer l'armoire dans une aire à structure solide dont le plancher de niveau est capable de supporter le poids de l'armoire, de tout l'équipement qui sera installé dans l'armoire et des autres armoires et équipements qui seront installés à proximité.

**1** Une fois que l'armoire a été déplacée sur son emplacement d'installation, utiliser un niveau pour vérifier la pente du plancher. Si la pente est de plus de 1 %, choisir un autre site pour l'installation.

**2** À l'aide de la clé ouverte de 19 mm, abaisser chaque vérin de calage **A** jusqu'à ce qu'il touche le sol. (Il y a quatre vérins, 2 à l'avant et 2 à l'arrière.) Veiller à ce que chaque vérin repose solidement sur le plancher. *Remarque :* Abaisser un vérin en le tournant dans le sens horaire; soulever un vérin en le tournant dans le sens antihoraire.

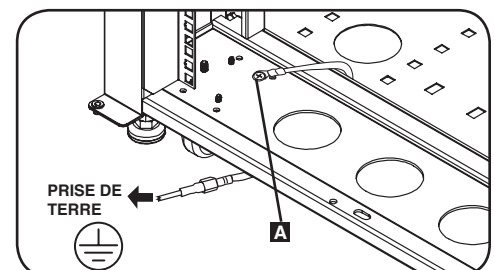
**3** Après avoir abaissé chaque vérin de calage, vérifier à l'aide du niveau que l'armoire est de niveau dans toutes les directions. Ajuster les vérins jusqu'à ce que l'armoire soit de niveau.

**4** (Facultatif) Si vous souhaitez garantir encore plus de stabilité, vous pouvez utiliser les 4 pattes de fixation et les éléments qui ont permis de fixer le rack à la palette d'expédition. Utilisez une clé à fourches de 10 mm pour bien fixer les pattes au niveau des points de fixation au sol en utilisant vos outils.



## Mise à la terre

Toutes les pièces de l'armoire sont mises à la masse à son bâti. Utiliser le point fileté avant ou arrière de mise à la terre **A** et une vis M6 (incluse) pour connecter le bâti de l'armoire directement à la prise de terre de votre installation avec un fil de calibre 8 AWG (3,264 mm). Faire passer le fil de mise à la terre sous le bâti de l'armoire afin que les portes puissent s'ouvrir. **MISE EN GARDE :** Relier chaque armoire séparément à une prise de terre. Ne pas utiliser d'armoire sans prise de terre.



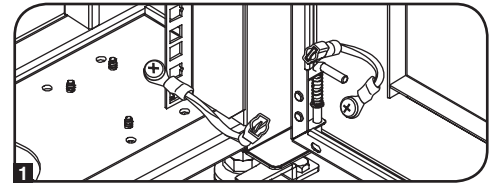
# Configuration de l'armoire

## Poser ou enlever les portes avant et arrière

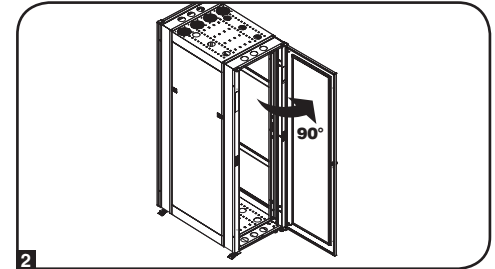
**MISE EN GARDE :** Ne pas essayer de poser ou d'enlever les portes sans aide.

### Enlèvement d'une porte

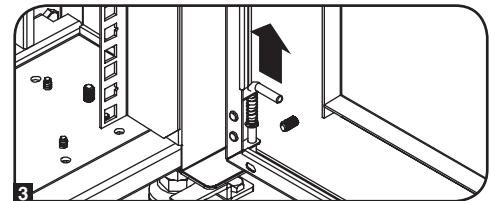
**1** Déconnecter le fil de mise à la terre de la porte.



**2** Ouvrir la porte perpendiculairement (90 degrés) à l'avant de l'armoire.



**3** Soulever la broche de ferme-porte en forme de « L ». Une fois la broche dégagée, soulever la porte, la sortir des charnières et la retirer du boîtier.



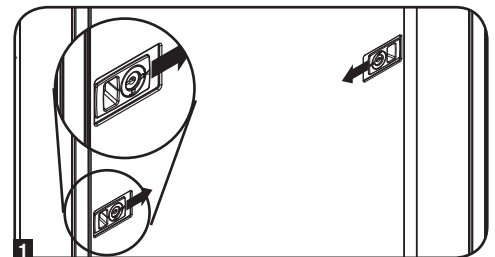
### Pour reposer la porte, inverser les étapes 1 à 3

(facultatif) Si l'armoire est fixée à une autre, retourner la porte vers l'armoire quand vous la sortez de ses charnières.

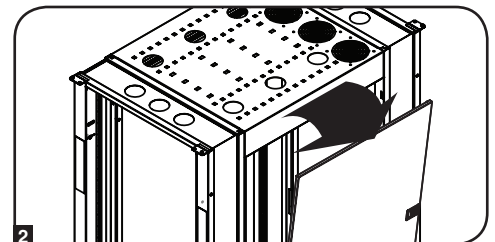
## Pose et enlèvement des panneaux latéraux

### Enlèvement d'un panneau latéral

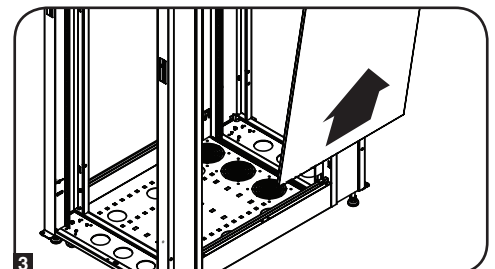
**1** Glisser les deux loquets déverrouillés pour dégager le panneau.



**2** Incliner le sommet du panneau vers l'extérieur de l'armoire.



**3** Soulevez le panneau de l'accolade qui le soutient.



### Pour reposer le panneau latéral, inverser les étapes 1 à 3

# Configuration de l'armoire

## Ajustement des profilés de montage

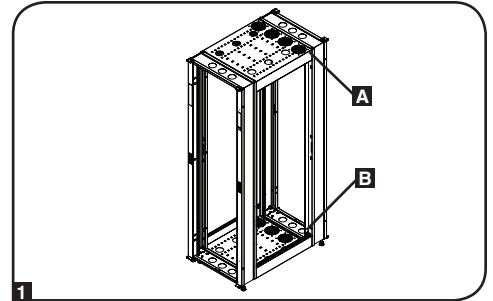
**MISE EN GARDE :** Ne pas essayer d'ajuster les profilés sans aide. Ne pas essayer d'ajuster les profilés pendant l'installation de l'équipement dans l'armoire. Ne pas essayer d'utiliser les profilés sans que toutes les vis soient posées.

Les profondeurs de montage globales de l'équipement se situant entre 575 et 756 mm (22 5/8 et 29 3/4 po) peuvent être atteintes en ajustant les rails avant et arrière.

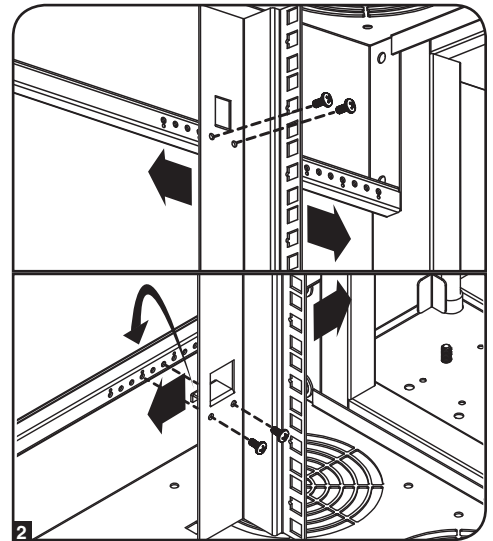
Les rails de montage sont pré-installés pour pouvoir accueillir du matériel ayant une profondeur de montage de 737 mm (29 pouces). Ne pas ajuster les profilés de montage sauf si votre équipement nécessite une profondeur différente. Les rails de montage arrière peuvent être ajustés de façon indépendante par incréments de 9,5 mm (3/8 po) pour différentes profondeurs de montage.

## Réglage du rail arrière

**1** Chaque profilé est fixé à l'armoire par 4 vis - deux sur le profilé supérieur **A** et 2 sur le profilé inférieur **B**.

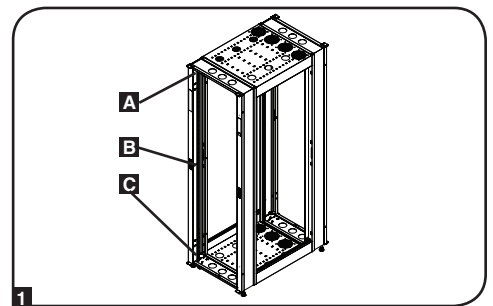


**2** Retirer les vis fixant chacun des profilés de montage arrière à l'armoire. Faites coulisser les rails de montage jusqu'à la profondeur souhaitée et fixez-les à nouveau en utilisant les vis précédemment retirées.

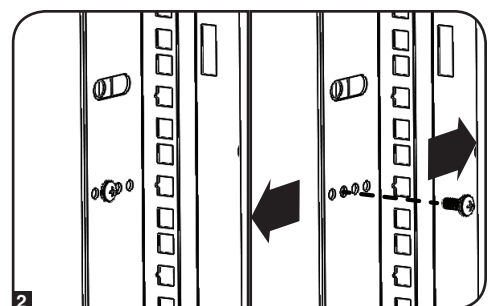


## Réglage du rail avant

**1** Chaque rail de montage avant est monté sur le cadre du boîtier en utilisant 3 vis - 1 vis au niveau du montant supérieur **A**, 1 vis au niveau du montant du milieu **B** et 1 vis au niveau du montant inférieur **C**.



**2** Retirer les vis fixant chacun des profilés de montage avant à l'armoire. Faites coulisser les rails de montage jusqu'à la profondeur souhaitée et fixez-les à nouveau en utilisant les vis précédemment retirées.



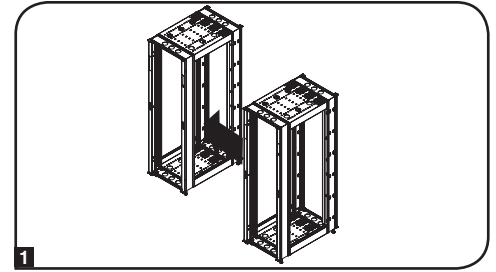


## Configuration de l'armoire

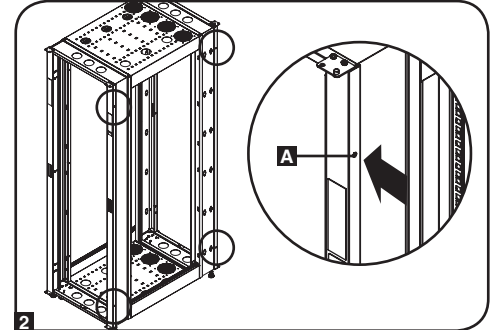
### Combinaison (Assemblage en baie) d'armoires de stockage

**MISE EN GARDE :** La combinaison d'armoires n'est pas un substitut à leur stabilisation. Chaque armoire dans une baie d'armoires combinées exige les mêmes mesures de stabilisation qu'une armoire autonome.

**1** Disposer les armoires dans la bonne position pour l'assemblage en baie.

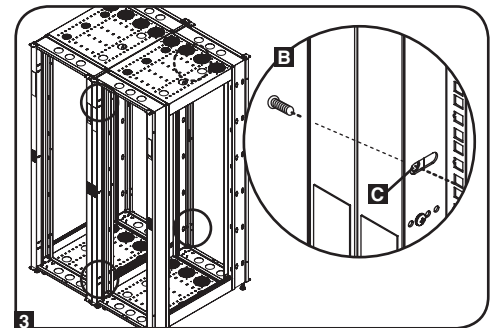


**2** Chaque armoire comprend 4 points d'assemblage **A**. Aligner points d'assemblage de les armoires.



**3** Une fois que les boîtiers se trouvent dans la position désirée et que les points de raccordement pour la juxtaposition sont alignés, insérer une vis filetée de 1/4-20, fournie par l'utilisateur, dans le point de raccordement pour la juxtaposition **B**. Retenir la vis jusqu'à ce que ses filets soient serrés à l'intérieur de l'écrou hexagonal soudé au boîtier adjacent **C**. Répéter pour tous les points de raccordement pour la juxtaposition. Si aucun autre réglage n'est nécessaire, serrer toutes les vis.

*Remarque :* Vous pouvez enlever les portes avant de combiner les armoires. La réinstallation des portes est facultative. Retirer les panneaux latéraux intérieurs avant d'assembler les armoires en baie si vous désirez avoir un accès entre les armoires.



## Installation de l'équipement

**MISE EN GARDE :** Ne pas installer d'équipement avant d'avoir stabilisé l'armoire. Installer d'abord l'équipement lourd et à la base de l'armoire. Installer l'équipement en commençant à la base de l'armoire vers son sommet - jamais l'inverse. Si vous utilisez des rails glissières, faire attention lors de l'extension des rails. Ne pas ouvrir plus d'un jeu de rails glissières en même temps. Éviter d'ouvrir un jeu de rails glissières près du sommet de l'armoire. ite extender los rieles de los equipos deslizables cerca de la parte superior del estante.

*Remarque :* Les trous carrés au milieu de chaque division de bâti sont numérotés et disposent aussi d'une petite encoche pour aider à l'identification. Une seule division de bâti comprend l'espace occupé par le trou numéroté et les trous immédiatement au dessus et au dessous.



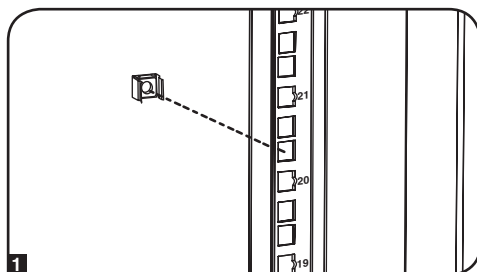
# Installation de l'équipement

## Installation ou enlèvement des écrous à cage

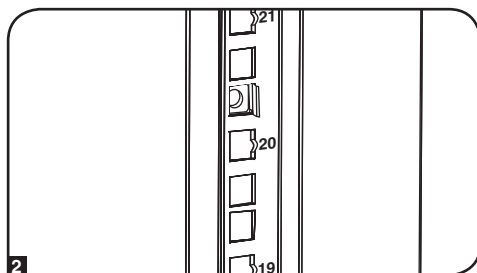
**MISE EN GARDE :** Les brides des écrous à cage doivent s'encaster dans les côtés de l'ouverture carrée dans le rail, pas au sommet ni à la base. Suivre les instructions de la documentation de votre équipement pour garantir sa bonne installation.

### Installation des écrous à cage

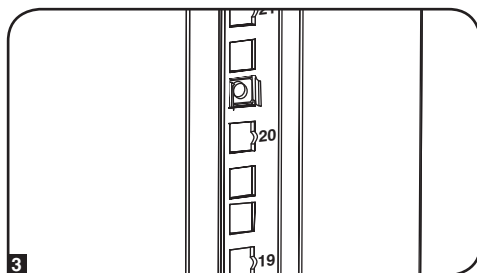
**1** Repérer les ouvertures carrées numérotées dans les profilés de montage où vous planifiez d'installer votre équipement. Vous poserez des écrous à cage (fournis) dans les ouvertures carrées afin de fournir un point de fixation pour les vis de montage (fournies). *Remarque :* Consulter la documentation de votre équipement pour savoir combien d'écrous à cage seront nécessaires et où ils devront être installés.



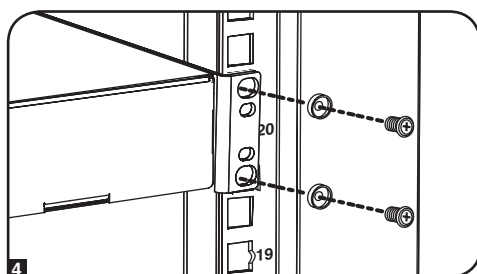
**2** Depuis l'intérieur du profilé de montage, introduire une des brides de l'écrou à cage dans l'ouverture carrée. Appuyer la bride contre le côté de l'ouverture. Chaque bride doit s'encaster dans un des côtés de l'ouverture, pas au sommet ni à la base.



**3** Comprimer légèrement les côtés de l'écrou à cage pour permettre à l'autre bride de s'engager dans l'ouverture. Quand l'écrou à cage est correctement posé, les deux brides vont dépasser de l'ouverture carrée et seront visibles à la surface extérieure du profilé de montage. Répéter les étapes 1 à 3 jusqu'à ce que tous les écrous à cage nécessaires soient posés.



**4** Après la pose des écrous à cage, utiliser les vis de montage et les rondelles à collerette pour fixer l'équipement au profilé du bâti. Placer les rondelles à collerette entre les vis et les pattes de fixation de l'équipement. *Remarque :* La quincaillerie de fixation peut aussi être jointe à votre équipement. Lire les instructions de montage jointes à votre équipement avant d'installer celui-ci.



### Pour enlever les écrous à cage, inverser les étapes 1 à 3

*Remarque :* Vous pouvez utiliser un outil pour écrou à cage (fourni par l'utilisateur) afin d'aider à la pose et à l'enlèvement des écrous.

## Caractéristiques techniques

Modèle	Capacité de charge		Dimensions de l'appareil				Dimensions à l'expédition			
	Statique	Sur roue	Hauteur	Largeur	Profondeur	Poids	Hauteur	Largeur	Profondeur	Poids
SR2000	907 kg (2000 lb)	680 kg (1500 lb)	1974 mm (77.7 po)	600 mm (23.63 po)	1092 mm (43 po)	77 kg (169 lb)	2101 mm (82.7 po)	650 mm (26 po)	1140 mm (45 po)	99 kg (219 lb)

## Entreposage et entretien

### Entreposage

Cette armoire doit être entreposée dans un environnement intérieur contrôlé, à l'abri de l'humidité, des températures extrêmes, des liquides et des gaz inflammables, de contaminants conducteurs, de la poussière et de la lumière directe du soleil. Entreposer l'armoire dans son conteneur d'expédition original si possible.

### Entretien

Votre produit Tripp Lite est couvert par la garantie décrite dans ce manuel. Une variété de garanties prolongées et de programmes de service sur place sont également disponibles chez Tripp Lite. Pour plus de renseignements sur le service, visitez [www.tripplite.com/support](http://www.tripplite.com/support). Avant de retourner votre produit pour entretien ou réparation, suivez les étapes suivantes :

1. Relisez les directives d'installation et de fonctionnement de ce manuel afin de vous assurer que le problème n'a pas pour origine une mauvaise lecture des directives.
2. Si le problème persiste, ne pas communiquer ou renvoyer le produit au vendeur. À la place, visitez [www.tripplite.com/support](http://www.tripplite.com/support).
3. Si le problème nécessite une réparation, visitez [www.tripplite.com/support](http://www.tripplite.com/support) et cliquez sur le lien Product Returns (retour du produit). De cet endroit, vous pouvez demander un numéro d'autorisation de retour de matériel (RMA) qui est exigé pour une réparation. Ce formulaire en ligne simple vous demandera le numéro de modèle et le numéro de série de votre unité ainsi que d'autres renseignements généraux concernant l'acheteur. Le numéro RMA, ainsi que les instructions concernant le transport vous seront acheminées par courriel. Tout dommage (direct, indirect, spécial ou fortuit) survenu au produit pendant le transport à Tripp Lite ou à un centre de service autorisé Tripp Lite est exclu de la garantie. Les produits expédiés à Tripp Lite ou à un centre de service autorisé doivent être prépayés. Inscrire le numéro RMA sur le paquet. Si le produit est encore couvert par la garantie de deux ans, joindre une copie de votre facture d'achat. Retourner le produit pour réparation par un transporteur assuré à l'adresse qui vous a été donnée lorsque vous avez demandé le RMA.

# Garantie

## Garantie limitée de 5 ans.

Le vendeur garantit que, s'il a été utilisé selon les directives applicables, ce produit est exempt de tout défaut initial de matériel et de fabrication pendant une période de 5 ans à dater de l'achat initial. Si le produit s'avère défectueux sur le plan matériel ou de la fabrication durant cette période, le vendeur le réparera ou le remplacera, gratuitement.

CETTE GARANTIE NE S'APPLIQUE PAS À L'USURE NORMALE OU AUX DOMMAGES DUS À UN ACCIDENT, UNE MAUVAISE UTILISATION, UN ABUS OU UNE NÉGLIGENCE. LE VENDEUR N'ACCORDE AUCUNE GARANTIE EXPRESSE AUTRE QUE CELLE CONTENUE DANS LES DISPOSITIONS CI-DESSUS. SAUF DISPOSITIONS CONTRAIRES PRÉVUES PAR LA LOI, TOUTES LES GARANTIES IMPLICITES, Y COMPRIS LES GARANTIES DE QUALITÉ COMMERCIALE ET D'ADAPTATION À UN USAGE PARTICULIER, SONT LIMITÉES À LA PÉRIODE DE GARANTIE PRÉCITÉE. CETTE GARANTIE EXCLUT EXPRESSÉMENT LES DOMMAGES ACCESSOIRES ET INDIRECTS. (Certains états n'autorisent pas les restrictions de la durée d'une garantie implicite et d'autres n'autorisent pas l'exclusion ni la restriction des dommages accessoires ou indirects, de sorte que ces restrictions ou exclusions pourraient ne pas s'appliquer à vous. Cette garantie vous donne des droits légaux spécifiques et vous pouvez aussi posséder d'autres droits qui varient d'une juridiction à l'autre.)

MISE EN GARDE : L'utilisateur individuel doit prendre soin de déterminer avant l'usage si cet appareil est convenable, adéquat et sûr pour l'usage prévu. Étant donné que les applications individuelles varient énormément, le fabricant ne fait aucune déclaration, ni ne donne aucune garantie quant à la convenance de ces appareils à une application particulière.

## Numéros d'identification de conformité aux règlements

À des fins de certification et d'identification de conformité aux règlements, votre produit Tripp Lite a reçu un numéro de série unique. Ce numéro se retrouve sur la plaque signalétique du produit, avec les inscriptions et informations d'approbation requises. Lors d'une demande d'information de conformité pour ce produit, utilisez toujours le numéro de série. Il ne doit pas être confondu avec le nom de la marque ou le numéro de modèle du produit.

## L'information de conformité WEEE pour les clients de Tripp Lite et recycleurs (Union européenne)




Sous les directives et règlements de déchet d'équipements électrique et électronique (Waste Electrical and Electronic Equipment, WEEE), lorsque les clients achètent le matériel électrique et électronique neuf de Tripp Lite ils sont autorisés à :

- Envoyer le vieux matériel pour le recyclage sur une base de un-contre-un et en nature (ceci varie selon le pays)
- Renvoyer le matériel neuf pour recyclage quand ceci devient éventuellement un rebut

La politique de Tripp Lite est celle d'une amélioration continue. Les spécifications peuvent être modifiées sans préavis.

### Note sur l'étiquetage

Ce symbole est utilisé sur le produit :  C Mise à la terre



Manufacturing  
Excellence.