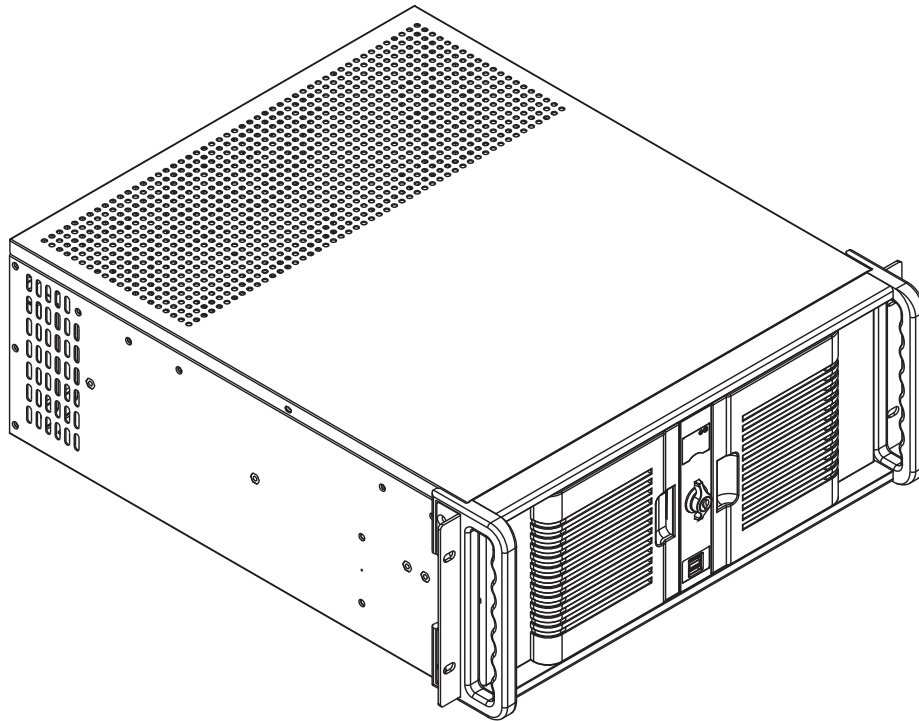




Product Quick Guide

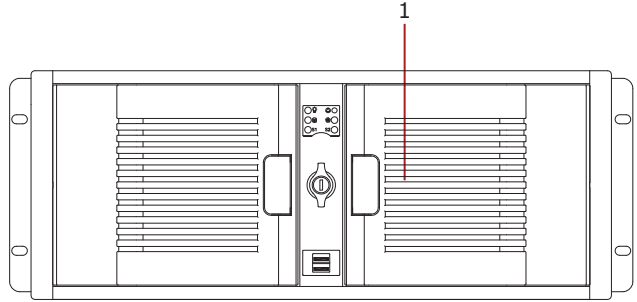


Model Number: **D-400-PTS8**

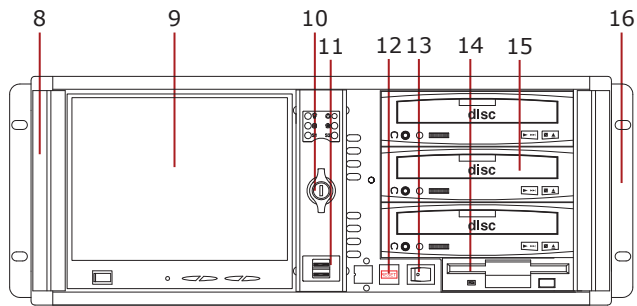
4U Rackmount Chassis

Hardware Guide

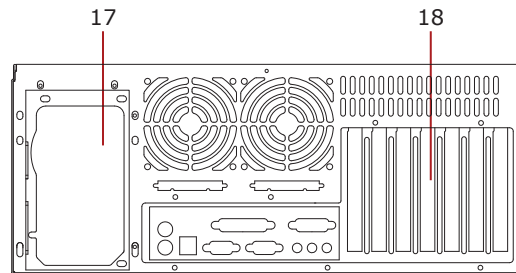
1. Plastic Bezel
2. Power LED
3. Alarm reset
4. HDD LED
5. Temp Sensor 1 LED (TC-ISF08 require)
6. Fan LED (TC-ISF08 require)
7. Temp Sensor 2 LED (TC-ISF08 require)
8. Handle
9. 8" Touch Screen LCD
10. Key lock
11. USB 2.0
12. Reset button
13. Power button
14. 3.5" Bay X1
15. 5.25" Bay X3
16. Ear Mount
17. For 4U Power Supply
18. Expansion slot
19. 1x 80mm Fan
20. Cross bar/ Fan bar
21. For ATX, micro-ATX MB
22. For Optional Sensor Board TC-ISF08
23. Removable Air Filter



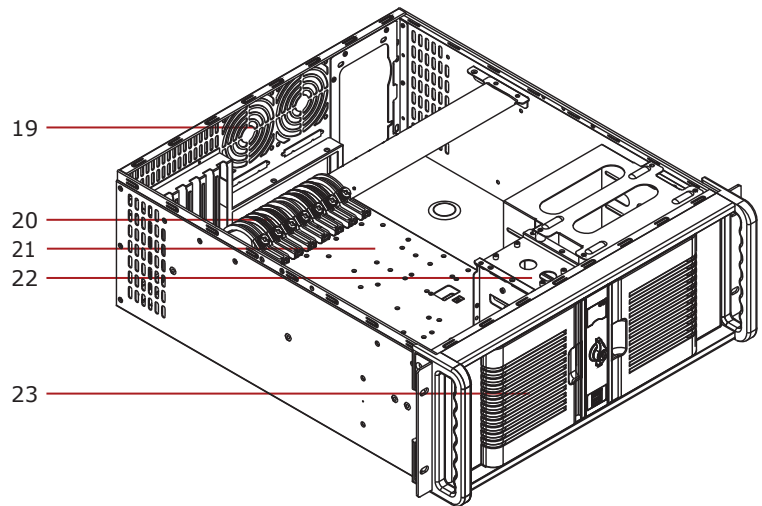
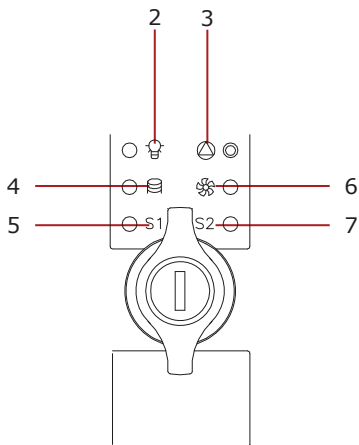
Front View



Front Open View



Rear View



Top View

Package Contents

1. Expansion slots cover
2. Cable tie
3. Screws kit x 2
4. Key

Accessory for 8" Touch Screen LCD:

- | | |
|---------------------------|---------------------|
| 1. VGA Cable for Monitor | 7. Remote Control |
| 2. VGA Cable 1 in 2 out | 8. Touch Pen |
| 3. PC Power Cable | 9. Power Supply |
| 4. AV Cable for Monitor | 10. Monitor Bracket |
| 5. Touch Screen USB Cable | |
| 6. Touch Screen Software | |



Optional/ Related Items



T5PF-SA

1 x 5.25" Bay Trayless
Anti-vibration SATA Mobile
Rack



BPU-2535V2

1 x 3.5" to 2 x 2.5" SATA I/
II Hot-Swap Drive Cage



RP-HUB-SAUUF

3.5" Combo Hub for
USB2.0/ Firewire/ e-SATA



BPU-124V2-SS

1 x 5.25" to 4 x 2.5" SATA/
SAS 6.0 Gb/s Hot-Swap
Cage



T-7M1-SATA

1x5.25" Bay Audio SATA/
SAS 6.0 Gb/s Mobile Rack



T5F-SS

1x5.25" Bay Trayless Anti-
vibration SAS/SATA Mobile
Rack



T-7-SA

1x5.25" Bay Military Series
SAS/SATA 6.0Gb/s Mobile
Rack



TC-RAIL-26

26" Sliding Rail Kit for Most
Rackmount Chassis