

Dell™ OptiPlex™ 745 Systems User's Guide



[Mini Tower Computer](#)



[Desktop Computer](#)



[Small Form Factor Computer](#)



[Ultra Small Form Factor Computer](#)

[Back to Contents Page](#)

Advanced Features

Dell™ OptiPlex™ 745 User's Guide

- [LegacySelect Technology Control](#)
- [Manageability](#)
- [Physical Security](#)
- [Trusted Platform Module \(TPM\)](#)
- [Security Management Software](#)
- [Computer Tracking Software](#)
- [About Smart Cards and Fingerprint Readers](#)
- [Password Protection](#)
- [System Setup](#)
- [Booting to a USB Device](#)
- [Jumper Settings](#)
- [Clearing Forgotten Passwords](#)
- [Clearing CMOS Settings](#)
- [Hyper-Threading and Dual-Core Technology](#)
- [Power Management](#)

LegacySelect Technology Control

LegacySelect technology control offers legacy-full, legacy-reduced, or legacy-free solutions based on common platforms, hard-drive images, and help desk procedures. Control is provided to the administrator through system setup, Dell OpenManage™ IT Assistant, or Dell custom-factory integration.

LegacySelect allows administrators to electronically activate or deactivate connectors and media devices that include serial and USB connectors, a parallel connector, a floppy drive, PCI slots, and a PS/2 mouse. Connectors and media devices that are deactivated make resources available. You must restart the computer to effect the changes.

Manageability

Alert Standard Format

ASF is a DMTF management standard that specifies "pre-operating system" or "operating system-absent" alerting techniques. The standard is designed to generate an alert on potential security and fault conditions when the operating system is in a sleep mode or the system is turned off. ASF is designed to supersede previous operating-system-absent alerting technologies.


Your computer supports the following ASF version 1.03 and 2.0 alerts and remote capabilities:

Alert	Description
Chassis: Chassis Intrusion - Physical Security Violation/Chassis Intrusion - Physical Security Violation Event Cleared	The computer chassis with the chassis intrusion feature (optional on some computers) installed and enabled has been opened or the chassis intrusion alert has been cleared.
CPU: Emergency Shutdown Event	The processor temperature is too hot and the power supply has shut down.
Cooling Device: Generic Critical Fan Failure/Generic Critical Fan Failure Cleared	The fan speed (rpm) is out of limits or the fan speed (rpm) problem has been resolved.
Temperature: Generic Critical Temperature Problem/Generic Critical Temperature Problem Cleared	The computer temperature is out of limits or the computer temperature problem has been resolved.
Battery Low	The system battery has reached a voltage of 2.2 V or lower.

ASF allows Remote Management and Control Protocol (RMCP) messages to be exchanged between a remote management console and a client computer that is in a "pre-operating system" or "operating system-absent" state. RMCP messages can be sent to instruct a client computer to start up, shut down, or restart.

For more information about Dell's ASF implementation, see the *ASF User's Guide* and the *ASF Administrator's Guide*, which are available on the Dell Support website at support.dell.com.

Dell OpenManage™ Applications

 **NOTE:** Either Dell OpenManage™ applications and DCCU or Dell™ Client Manager (DCM) is available for your computer to help meet your system management needs. See [Dell Client Manager \(DCM\)](#) for information about DCM.

You can manage your system via IT Assistant, Dell Client Connector Utility (DCCU), and Dell OpenManage Client Instrumentation (OMCI).

IT Assistant configures, manages, and monitors computers and other devices on a corporate network. IT Assistant manages assets, configurations, events (alerts), and security for computers equipped with industry-standard management software. It supports instrumentation that conforms to SNMP and CIM industry standards.

For information on IT Assistant, see the *Dell OpenManage IT Assistant User's Guide* available on the Dell Support website at support.dell.com.


Dell OpenManage Client Instrumentation is software that enables remote management programs such as IT Assistant to do the following:

- 1 Access information about your computer, such as how many processors it has and what operating system it is running.
- 1 Monitor the status of your computer, such as listening for thermal alerts from temperature probes or hard-drive failure alerts from storage devices.

A system that has Dell OpenManage Client Instrumentation set up on a network that uses IT Assistant is a managed system. For information about Dell OpenManage Client Instrumentation, see the *Dell OpenManage Client Instrumentation User's Guide* available on the Dell Support website at support.dell.com.

With Dell Client Connector Utility (DCCU) you can change the state of your computer by, for example, updating or configuring its BIOS or shutting it down remotely. For more information about DCCU, see the Dell Support website at support.dell.com.

Dell Client Manager (DCM)

 **NOTE:** Either Dell™ Client Manager (DCM) or Dell OpenManage™ applications are available for your computer to help meet your system management needs. See [Dell OpenManage™ Applications](#) for information about Dell OpenManage products.

Dell Client Manager (DCM) Console

The Dell Client Manager (DCM) console allows you to configure, manage, and monitor Dell computers on a corporate network via a simple GUI interface. Through the DCM console you can manage assets, configurations, events (alerts), status, and security for computers equipped with industry-standard management software. For information about standards supported by DCM, see www.altiris.com.

For information about the DCM console, see www.altiris.com or the Dell Support website at support.dell.com.


The DCM console also allows you to:

- 1 Access information about your computer, such as how many processors it has and what operating system it is running.
- 1 Monitor the status of your computer, such as listening for thermal alerts from temperature probes or hard-drive failure alerts from storage devices.
- 1 Change the state of your computer by updating its BIOS, configuring BIOS settings, or shutting it down remotely.

With Dell Client Manager installed on a console and its client software installed on client computers, you have a managed system. For information about DCM, see the Dell Support website at support.dell.com.

Physical Security

Chassis Intrusion Detection

 **NOTE:** When the administrator password is enabled, you must know the administrator password before you can reset the **Chassis Intrusion** setting.

This (optional on some computers) feature, if installed and enabled, detects that the chassis was opened and alerts the user. To change the **Chassis Intrusion** setting:

1. Enter system setup (see [Entering System Setup](#)).
2. Press the down-arrow keys to move to the **System Security** option.
3. Press <Enter> to access the **System Security** option's pop-up menu.
4. Press the down-arrow key to move to the **Chassis Intrusion** setting.
5. Press <Enter> to select an option setting.
6. Press <Enter> again after you update the option setting.
7. Exit and save system setup.

Option Settings

- 1 **On** — If the computer cover is opened, the setting changes to **Detected**, and the following alert message displays during the boot routine at the next computer start-up:

Alert! Cover was previously removed.

To reset the **Detected** setting, enter system setup (see [Entering System Setup](#)). In the **Chassis Intrusion** option, press the left- or right-arrow key to select **Reset**, and then choose **On**, **On-Silent**, or **Off**.

- 1 **On-Silent** (default setting) — If the computer cover is opened, the setting changes to **Detected**. No alert message appears during the boot sequence at the next computer start-up.

- 1 **Off** — No intrusion monitoring occurs and no messages appear.

Padlock Ring and Security Cable Slot


Use one of the following methods to secure your computer:

- 1 Use a padlock alone or a padlock and looped security cable with the padlock ring.

A padlock alone prevents the computer from being opened.


A security cable looped around a stationary object is used in conjunction with a padlock to prevent unauthorized movement of the computer.

- 1 Attach a commercially available antitheft device to the security cable slot on the back of the computer.


 **NOTE:** Before you purchase an antitheft device, make sure that it works with the security cable slot on your computer.

Antitheft devices usually include a segment of metal-stranded cable with an attached locking device and key. The documentation that comes with the device contains instructions for installing it.

Trusted Platform Module (TPM)

 **NOTE:** The TPM feature supports encryption only if the operating system supports TPM. For more information, see the TPM software documentation and the help files that came with the software.

TPM is a hardware-based security feature that can be used to create and manage computer-generated encryption keys. When combined with security software, the TPM enhances existing network and computer security by enabling features such as file protection capabilities and protected e-mail. The TPM feature is enabled through a system setup option.

 **NOTICE:** To secure your TPM data and encryption keys, follow the backup procedures documented in the *Archive and Restore* section of the EMBASSY Security Center help file. In the event of these backups being incomplete, lost, or damaged, Dell will be unable to assist in the recovery of encrypted data.

Enabling the TPM Feature

1. Enable the TPM software:
 - a. Restart the computer and press <F2> during the Power On Self Test to enter the system setup program.
 - b. Select **Security**→ **TPM Security** and press <Enter>.
 - c. Under **TPM Security**, select **On**.
 - d. Press <Esc> to exit the setup program.
 - e. If prompted, click **Save/Exit**.
2. Activate the TPM setup program:
 - a. Restart the computer and press <F2> during the Power On Self Test to enter the system setup program.
 - b. Select **Security**→ **TPM Activation** and press <Enter>.
 - c. Under **TPM Activation**, select **Activate** and press <Enter>.

 **NOTE:** You only need to activate TPM once.

- d. Once the process is complete, the computer either restarts automatically or prompts you to restart your computer.
-

Security Management Software

The security management software is designed to utilize four different features to help you secure your computer:


- 1 Log-in management
- 1 Pre-boot authentication (using a fingerprint reader, smart card, or password)
- 1 Encryption
- 1 Private information management


For information about how to use the software and the different security features, see the *Getting Started Guide* for the software:

Click **Start**→ **All Programs**→ **Wave Systems Corp**→ **Getting Started Guide**.


Computer Tracking Software

Computer tracking software may enable you to locate your computer if it is lost or stolen. The software is optional and may be purchased when you order your Dell™ computer, or you can contact your Dell sales representative for information about this security feature.

 **NOTE:** Computer tracking software may not be available in certain countries.

 **NOTE:** If you have computer tracking software and your computer is lost or stolen, you must contact the company that provides the tracking service to report the missing computer.


About Smart Cards and Fingerprint Readers

 **NOTE:** The smart card feature or fingerprint reader may not be available on your computer.


Smart cards are portable credit-card shaped devices with internal integrated circuits. The top surface of the smart card usually contains an embedded processor under the gold contact pad. The combination of the small size and integrated circuits make smart cards valuable tools for security, data storage, and special programs. Using smart cards can improve system security by combining something a user has (the smart card) with something only the user should know (a PIN) to provide more secure user-authentication than passwords alone.

The fingerprint reader is a device that you can use to help keep your Dell™ computer secure. The reader is a strip sensor located on a peripheral device for your computer. When you slide your finger over the reader, it uses your unique fingerprint to authenticate your user identity.

Password Protection

 **NOTE:** Although passwords provide security for the data on your computer, they are not foolproof. If your data requires more security, it is your responsibility to obtain and use additional forms of protection, such as data encryption programs.

System Password

 **NOTE:** If you leave your computer running and unattended without having a system password assigned, or if you leave your computer unlocked so that someone can disable the password by changing a jumper setting, anyone can access the data stored on your hard drive.

Option Settings

You cannot change or enter a new system password if either of the following two options is displayed:

- 1 **Set** — A system password is assigned.
- 1 **Disabled** — The system password is disabled by a jumper setting on the system board.

You can only assign a system password when the following option is displayed:

- 1 **Not Set** — No system password is assigned and the password jumper on the system board is in the enabled position (the default setting).

Assigning a System Password

To escape from the field without assigning a system password, press <Tab> or the <Shift><Tab> key combination to move to another field, or press <Esc> at any time before you complete step 5.

1. Enter system setup (see [Entering System Setup](#)) and verify that **Password Status** is set to **Unlocked**.
2. Highlight **System Password**, and then press the left- or right-arrow key.

The option heading changes to **Enter Password**, followed by an empty 32-character field in square brackets.

3. Type your new system password.

You can use up to 32 characters. To erase a character when entering your password, press <Backspace> or the left-arrow key. The password is not case sensitive.

Certain key combinations are not valid. If you enter one of these combinations, the speaker emits a beep.

As you press each character key (or the spacebar for a blank space), a placeholder appears in the field.

4. Press <Enter>.

If the new system password is less than 32 characters, the whole field fills with placeholders. Then the option heading changes to **Verify Password**, followed by another empty 32-character field in square brackets.

5. To confirm your password, type it a second time and press <Enter>.

The password setting changes to **Set**.

6. Exit system setup.

Password protection takes effect when you restart the computer.

Typing Your System Password

When you start or restart your computer, the following prompt appears on the screen.

If **Password Status** is set to **Locked**:

```
Type the password and press <Enter>.
```

If you have assigned an administrator password, the computer accepts your administrator password as an alternate system password.


If you type a wrong or incomplete system password, the following message appears on the screen:

```
** Incorrect password. **
```

If you again type an incorrect or incomplete system password, the same message appears on the screen. The third and subsequent times you type an incorrect or incomplete system password, the computer displays the following message:

```
** Incorrect password. **  
Number of unsuccessful password attempts: 3  
System halted! Must power down.
```

Even after your computer is turned off and on, the previous message is displayed each time you type an incorrect or incomplete system password.

 **NOTE:** You can use **Password Status** in conjunction with **System Password** and **Admin Password** to further protect your computer from unauthorized changes.

Deleting or Changing an Existing System Password

1. Enter system setup (see [Entering System Setup](#)).

2. Highlight **System Password** and press <Enter>.

3. When prompted, type the system password.

4. Press <Enter> twice to clear the existing system password. The setting changes to **Not Set**.

If **Not Set** is displayed, the system password is deleted. If **Not Set** is not displayed, press <Alt> to restart the computer, and then repeat steps 3 and 4.

5. To assign a new password, follow the procedure in [Assigning a System Password](#).

6. Exit system setup.

Administrator Password

Option Settings

You cannot change or enter a new administrator password if either of the following two options is displayed:


- 1 **Set** — An administrator password is assigned.
- 1 **Disabled** — The administrator password is disabled by a jumper setting on the system board.

You can only assign an administrator password when the following option is displayed:

- 1 **Not Set** — No administrator password is assigned and the password jumper on the system board is in the enabled position (the default setting).

Assigning an Administrator Password

The administrator **password** can be the same as the system password.

 **NOTE:** If the two passwords are different, the administrator password can be used as an alternate system password. However, the system password cannot be used in place of the administrator password.

1. Enter system setup (see [Entering System Setup](#)) and verify that **Admin Password** is set to **Not Set**.
2. Highlight **Admin Password** and press the left- or right-arrow key.

The computer prompts you to type and verify the password. If a character is not permitted, the computer emits a beep.

3. Type and then verify the password.

After you verify the password, the **Admin Password** setting changes to **Set**. The next time you enter system setup, the computer prompts you for the administrator password.

4. Exit system setup.

A change to **Admin Password** becomes effective immediately (no need to restart the computer).

Operating Your Computer With an Administrator Password Enabled

When you enter system setup, the **Admin Password** option is highlighted, prompting you to type the password.

If you do not type the correct password, the computer lets you view, but not modify, system setup options.

 **NOTE:** You can use **Password Status** in conjunction with **Admin Password** to protect the system password from unauthorized changes.

Deleting or Changing an Existing Administrator Password

To change an existing administrator password, you must know the administrator password.

1. Enter system setup (see [Entering System Setup](#)).
2. Type the administrator password at the prompt.
3. Highlight **Admin Password** and press the left- or right-arrow key to delete the existing administrator password.

The setting changes to **Not Set**.

To assign a new administrator password, perform the steps in [Assigning an Administrator Password](#).

4. Exit system setup.

Disabling a Forgotten Password and Setting a New Password

To reset system and/or administrator passwords, see [Clearing Forgotten Passwords](#).

System Setup

Overview

Use system setup as follows:

- 1 To change the system configuration information after you add, change, or remove any hardware in your computer
- 1 To set or change a user-selectable option such as the user password
- 1 To read the current amount of memory or set the type of hard drive installed

Before you use system setup, it is recommended that you write down the system setup screen information for future reference.

Entering System Setup

1. Turn on (or restart) your computer.

- When the blue DELL™ logo appears, press <F2> immediately.

If you wait too long and the operating system logo appears, continue to wait until you see the Microsoft® Windows® desktop. Then shut down your computer (see [Turning Off Your Computer](#)) and try again.

System Setup Screens

The system setup screen displays current or changeable configuration information for your computer. Information on the screen is divided into three areas: the options list, active options field, and key functions.

<p>Options List — This field appears on the left side of the system setup window. The field is a scrollable list containing features that define the configuration of your computer, including installed hardware, power conservation, and security features.</p> <p>Scroll up and down the list by using the up and down arrow keys. As an option is highlighted, the Option Field displays more information about that option and the option's current and available settings.</p>	<p>Option Field — This field contains information about each option. In this field you can view your current settings and make changes to your settings.</p> <p>Use the right- and left-arrow keys to highlight an option. Press <Enter> to make that selection active.</p>
<p>Key Functions — This field appears below the Option Field and lists keys and their functions within the active system setup field.</p>	

System Setup Options

 **NOTE:** Depending on your computer and installed devices, the items listed in this section may or may not appear.

System	
System Info	Lists the computer name, BIOS Version , Service Tag , Express Service Code , (if applicable), and the Asset Tag . None of these fields can be modified.
Processor Info	Identifies the CPU type, bus speed, clock speed, and L2 cache size. States whether the processor is Hyper-Threading and multiple-core capable and whether it supports 64-bit technology.
Memory Info	Lists the type, size, speed, and channel mode (dual or single) of installed memory.
PCI Info	Identifies any installed PCI or PCI Express cards.
Date/Time	Displays current date and time settings.
Boot Sequence	The computer attempts to boot from the sequence of devices specified in this list.

Drives	
Diskette Drive (Internal default)	This option enables or disables the floppy drive. The options are Off , Internal , USB , and Read Only . NOTE: If USB is selected, ensure that USB Controller setup option under Onboard Devices is set to On .
Drive 0 through Drive n	Identifies and enables and disables the drives attached to the SATA or IDE connectors on the system board and lists the capacities for the hard drives. NOTE: These options appear as Drive 0 through Drive 3 for the desktop, mini tower, and small form computers and Drive 0 through Drive 5 for the ultra-small form factor computer.
SATA Operation (Normal default)	When this option is set to Normal , the SATA controller is configured for native mode. The Legacy option provides compatibility with older operating systems.
SMART Reporting (Off default)	This setting determines whether integrated drive errors are reported or not during system startup.

Onboard Devices	
Integrated NIC (On default)	Enables or disables the integrated NIC controller. Settings are On , Off , On w/RPL , or On w/ PXE . When the On w/ PXE or the On w/RPL setting is active, if a boot routine is not available from the network server, the computer attempts to boot from the next device in the boot sequence list.
Integrated Audio (On default)	Enables or disables the onboard audio controller.
USB Controller (On default)	Enables or disables the internal USB controller. No Boot enables the controller but disables the ability to boot from a USB device. NOTE: Operating systems with USB support will recognize USB floppy drives regardless of the No Boot setting.
Front USB (On default)	Enables or disables the front USB ports.
Rear Quad/Triad USB (On default)	Enables or disables the upper USB ports on the back of the computer.
Rear Dual USB (On default)	Enables or disables the lower USB ports on the back of the computer.
PCI Slots (On default)	Enables or disables all PCI and PCI Express slots.
LPT Port Mode (PS/2 default)	Determines the mode of operation of the internal parallel port. Off disables the port. AT configures the port for AT compatibility. PS/2 configures the port for PS/2 compatibility. EPP configures the port for the EPP bidirectional protocol. ECP configures the port for the ECP bidirectional protocol. NOTE: If you set the LPT Port Mode to ECP , the LPT Port DMA appears in the option menu.
LPT Port Address	Determines the address that the built-in parallel port uses.
Serial Port #1 (Auto default)	Determines how the serial port operates. Auto , the default setting, automatically configures a connector to a particular designation (COM1 or COM3).
Serial Port #2 (Auto default)	Determines how the serial port operates. Auto , the default setting, automatically configures a connector to a particular designation (COM2 or COM4).

Video	
Primary Video (Auto default)	This setting specifies which video controller is primary, Auto or Onboard/Card . When Auto is selected, the add-in video controller will be used. NOTE: A PCI Express graphics card will override the integrated video controller.

Performance	
HyperThreading (On default)	Determines whether the physical processor appears as one or two logical processors. The performance of some applications improves with additional logical processors. On enables hyperthreading.
Multiple CPU Core (On default)	Determines whether the processor will have one or two cores enabled. On enables the second core.
Virtualization (Off default)	Specifies whether a virtual machine monitor (VMM) can utilize the additional hardware capabilities provided by Intel Virtualization technology.
SpeedStep (Off default)	Enables Intel® SpeedStep® for all supported processors in the computer. This setting changes the processor power consumption and frequency. NOTE: This option may not be available on your computer.
Limit CPUID Value (Off default)	Limits the max value the processor standard CPUID function will support. Some operating systems won't complete installation when the max CPUID function supported is greater than 3.
HDD Acoustic Mode (Bypass default)	<ul style="list-style-type: none"> 1 Quiet — The hard drive operates at its most quiet setting. 1 Performance — The hard drive operates at its maximum speed. 1 Bypass — Your computer does not test or change the current acoustics mode setting. 1 Suggested — The hard drive operates at the level suggested by the drive manufacturer.

NOTE: Switching to performance mode may cause the drive to be noisier, but its performance is not affected. Changing the acoustics setting does not alter your hard-drive image.

Security	
Unlock Setup (Locked default)	When an administrator password is being used, allows the user access to modify system setup settings. Enter the administrator password at the prompt to unlock system setup. If the correct password is not entered here, the user can view but not modify system setup fields.
Admin Password (Not Set default)	Displays the current status of your system setup program's password security feature and allows you to verify and assign a new admin password.
System Password (Not Set default)	Displays the current status of the system's password security feature and allows a new system password to be assigned and verified.
Drive 0-n Password (Not Set default)	Displays the current status of the hard drive's password security feature and allows a new hard drive password to be assigned and verified.
Password Changes (Unlocked default)	Determines the interaction between the System password and the Admin password. Locked prevents a user without a valid Admin password from being able to modify the System password. Unlocked allows a user with a valid System password to modify the system password.
Chassis Intrusion (On-Silent default)	When enabled and the switch installed, this option alerts the user, during the next computer start-up, that the computer cover has been opened. The settings are On , On-Silent (default setting), and Off .
Intrusion Detected	Acknowledges and clears a chassis intrusion alert.
TPM Security (Off default)	Enables or disables the Trusted Platform Module security device.
TPM Activation (Deactivate default)	Activates or deactivates the Trusted Platform Module security device. The Clear option clears any data stored by a user that has previously activated and used TPM. NOTE: In order to activate Trusted Platform Module, the TPM Security option must be set to On .
Execute Disable (On default)	Enables or disables Execute Disable memory protection technology.
Computrace (Deactivate default)	Enables or disables the BIOS interface of the optional Computrace service from Absolute Software. This optional monitoring service must be purchased separately. Activate permanently enables the BIOS-Computrace interface. Disable permanently disables the BIOS-Computrace interface. Deactivate temporarily deactivates the BIOS-Computrace interface. NOTE: By activating service, you consent to transmission of data from your computer to the Computrace server.

Power Management	
AC Recovery (Off default)	Determines how the system responds when AC power is re-applied after a power loss. Off commands the system to stay off when the power is re-applied. You must press the front-panel power button before the system turns on. On commands the system to turn on when the power is re-applied. Last commands the system to return to the last power state the system was in just before it was turned off.
Auto Power On (Off default)	Sets the computer to automatically turn on. Off disables this feature. Everyday turns the computer on every day at the time set in Auto Power Time . Weekdays turns the computer on every day from Monday through Friday at the time set in Auto Power Time . NOTE: This feature does not work if you turn off your computer using the switch on a power strip or surge protector.
Auto Power Time	Sets time to automatically turn on the computer. Time is kept in the standard 12-hour format (<i>hours:minutes</i>). Change the startup time by pressing the right- or left-arrow key to increase or decrease the numbers, or type numbers in both the date and time fields.
Low Power Mode (Off default)	When Low Power Mode is selected, remote wakeup events will no longer power up the computer from Hibernate or Off via the onboard network controller.

Remote Wake-Up (Off default)	This option allows the system to power up when a network interface controller or remote wakeup-capable modem receives a wake up signal. On is the default setting. On w/ Boot to NIC will allow the computer to attempt to boot from a network prior to using the boot sequence. NOTE: Normally, the system can be powered up remotely from suspend mode, hibernate mode, or when powered off. When Low Power Mode (in the Power Management menu) is enabled, the system can only be powered up remotely from Suspend .
Suspend Mode (S3 default)	Sets the computer's suspend mode. The options are S1 , a suspend state in which the computer is running in a low-power mode, and S3 , a suspend state in which the power is reduced or turned off for many components, however, system memory remains active.

Maintenance	
Service Tag	Displays the service tag for your computer.
SERR Message (On default)	Some graphics cards require that the SERR message be disabled.
Load Defaults	Restores system setup options to their factory defaults.
Event Log	Allows you to view the Event Log . Entries are marked R for Read and U for Unread . Mark All Entries Read puts an R to the left of all the entries. Clear Log clears the Event Log .
ASF Mode	Allows you to turn ASF pre-boot messaging on and off. Options are Off , On , Alert Only .

POST Behavior	
Fastboot (On default)	When enabled, this feature reduces computer startup time by bypassing some compatibility steps. Off does not skip any steps during computer startup. On starts the system more quickly.
Numlock Key (On default)	Determines the functionality of the numeric keys on the right side of your keyboard. Off commands the right keypad keys to function as arrows. On commands the right keypad keys to function as numbers.
POST Hotkeys (Setup & Boot Menu default)	Determines whether the sign-on screen displays a message stating the keystroke sequence that is required to enter the Setup program or the Quickboot feature. Setup & Boot Menu displays both messages (F2=Setup and F12=Boot Menu). Setup displays the setup message only (F2=Setup). Boot Menu displays the Quickboot message only (F12=Boot Menu). None displays no message.
Keyboard Errors (Report default)	When set to Report (enabled) and an error is detected during POST, the BIOS will display the error message and prompt you to press <F1> to continue or press <F2> to enter system setup. When set to Do Not Report (disabled) and an error is detected during POST, the BIOS will display the error message and continue booting the system.

Boot Sequence

This feature allows you to change the boot sequence for devices.

Option Settings

- USB Device** — The computer attempts to boot from the USB device. If no operating system is present, the computer generates an error message.
- Onboard or USB Floppy Drive** — The computer attempts to boot from the floppy drive. If the floppy disk in the drive is not bootable, or if no floppy disk is in the drive, the computer generates an error message.
- Onboard SATA Hard Drive** — The computer attempts to boot from the primary serial ATA hard drive. If no operating system is on the drive, the computer generates an error message.
- Onboard or USB CD-ROM Drive** — The computer attempts to boot from the CD drive. If no CD is in the drive, or if the CD has no operating system, the computer generates an error message.
- Onboard Network Controller** — The computer attempts to boot from the network controller. If no operating system is present, the computer generates an error message.

Changing Boot Sequence for the Current Boot

You can use this feature, for example, to tell the computer to boot from the CD drive so that you can run the Dell Diagnostics on the *Drivers and Utilities* CD, but you want the computer to boot from the hard drive when the diagnostic tests are complete. You can also use this feature to restart your computer to a USB device such as a floppy drive, memory key, or CD drive.

 **NOTE:** If you are booting to a USB floppy drive, you must first set the floppy drive to USB in system setup (see [System Setup](#)).

- If you are booting to a USB device, connect the USB device to a USB connector.

2. Turn on (or restart) your computer.
3. When **F2 = Setup**, **F12 = Boot Menu** appears in the upper-right corner of the screen, press **<F12>**.

If you wait too long and the operating system logo appears, continue to wait until you see the Microsoft Windows desktop. Then shut down your computer (see [Turning Off Your Computer](#)) and try again.


The **Boot Device Menu** appears, listing all available boot devices. Each device has a number next to it.

4. At the bottom of the menu, enter the number of the device that is to be used for the current boot only.
For example, if you are booting to a USB memory key, highlight **USB Device** and press **<Enter>**.

 **NOTE:** To boot to a USB device, the device must be bootable. To make sure your device is bootable, check the device documentation.


Changing Boot Sequence for Future Boots

1. Enter system setup (see [Entering System Setup](#)).
2. Use the arrow keys to highlight the **Boot Sequence** menu option and press **<Enter>** to access the pop-up menu.

 **NOTE:** Write down your current boot sequence in case you want to restore it.

3. Press the up- and down-arrow keys to move through the list of devices.
4. Press the spacebar to enable or disable a device. (Enabled devices have a checkmark.)
5. Press **<Shift><Up Arrow>** or **<Shift><Down Arrow>** to move a selected device up or down the list.

Booting to a USB Device

 **NOTE:** To boot to a USB device, the device must be bootable. To ensure that your device is bootable, check the device documentation.

Memory Key

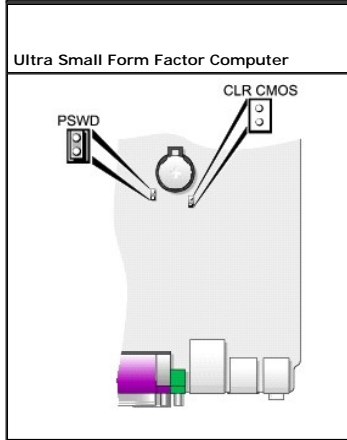
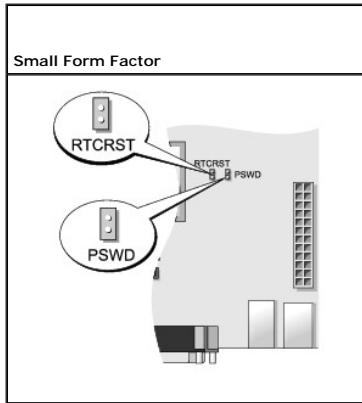
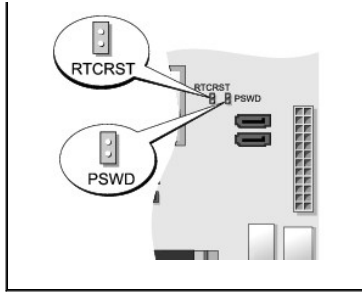
1. Insert the memory key into a USB port and restart the computer.
2. When **F12 = Boot Menu** appears in the upper-right corner of the screen, press **<F12>**.
The BIOS detects the device and adds the USB device option to the boot menu.
3. From the boot menu, select the number that appears next to the USB device.
The computer boots to the USB device.

Floppy Drive

1. In system setup, set the **Diskette Drive** option to **USB**.
2. Save and exit system setup.
3. Connect the USB floppy drive, insert a bootable floppy, and re-boot the system.


Jumper Settings


Mini Tower and Desktop




Jumper	Setting	Description
PSWD		Password features are enabled (default setting).
		Password features are disabled.
RTCRST		The real-time clock has not been reset.
		The real-time clock is being reset (jumpered temporarily).
<i>jumpered</i> <i>unjumpered</i>		

Clearing Forgotten Passwords


 **CAUTION:** Before you begin any of the procedures in this section, follow the safety instructions located in the *Product Information Guide*.

 **NOTICE:** This process erases both the system and administrator passwords.

1. Follow the procedures in [Before You Begin](#).
2. Locate the 2-pin password jumper (PSWD) on the system board, and remove the jumper to clear the password. See [Jumper Settings](#).
3. Replace the computer cover (see [Replacing the Computer Cover](#)).
4. Connect your computer and monitor to electrical outlets, and turn them on.
5. After the Microsoft® Windows® desktop appears on your computer, shut down your computer (see [Turning Off Your Computer](#)).
6. Turn off the monitor and disconnect it from the electrical outlet.
7. Disconnect the computer power cable from the electrical outlet, and press the power button to ground the system board.
8. Open the computer cover.
9. Locate the 2-pin password jumper on the system board and attach the jumper to reenable the password feature.
10. Replace the computer cover (see [Replacing the Computer Cover](#)).


 **NOTICE:** To connect a network cable, first plug the cable into the network wall jack and then plug it into the computer.

11. Connect your computer and devices to electrical outlets, and turn them on.


 **NOTE:** This procedure enables the password feature. When you enter system setup (see [Entering System Setup](#)), both system and administrator password options appear as **Not Set**—meaning that the password feature is enabled but no password is assigned.

12. Assign a new system and/or administrator password.
-

Clearing CMOS Settings

 **CAUTION:** Before you begin any of the procedures in this section, follow the safety instructions located in the *Product Information Guide*.

1. Follow the procedures in [Before You Begin](#).
2. Reset the current CMOS settings:
 - a. Locate the password (PSWD) and CMOS (RTC_RST) jumpers on the system board (see [Jumper Settings](#)).
 - b. Remove the password jumper plug from its pins.
 - c. Place the password jumper plug on the RTC_RST pins and wait approximately 5 seconds.
 - d. Remove the jumper plug from the RTC_RST pins and place it back on the password pins.
3. Replace the computer cover (see [Replacing the Computer Cover](#)).

 **NOTICE:** To connect a network cable, first plug the cable into the network wall jack and then plug it into the computer.

4. Connect your computer and devices to electrical outlets, and turn them on.
-



Hyper-Threading and Dual-Core Technology

Hyper-Threading is an Intel® technology that can enhance overall computer performance by allowing one physical processor to function as two logical processors, capable of performing certain tasks simultaneously. Dual-Core is an Intel technology in which two physical computational units exist inside a single CPU package, thereby increasing computing efficiency and multi-tasking ability. It is recommended that you use the Microsoft® Windows® XP Service Pack 1 (SP1) or higher operating system because Windows XP is optimized to take advantage of Hyper-Threading technology.

While many programs can benefit from Hyper-Threading and dual-core technology, some programs may have not been optimized for them and may require an update from the software manufacturer. Contact the software manufacturer for updates and information about using Hyper-Threading or dual-core technology with your software. To determine if your computer is using Hyper-Threading technology, check the system setup option for Hyper-Threading under the Performance tab (see [System Setup](#)).

Power Management


Your computer can be set to use less power when you are not working. You control the power usage through the operating system installed on your computer and certain option settings in system setup (see [System Setup](#)). These periods of reduced power are called "sleep modes."

-  **NOTE:** If your system has a card in the PCI Express x16 slot and you add a peripheral that does not support suspend (S3), you system will not be able to enter stand-by.
-  **NOTE:** All components installed in the computer must support the hibernate and/or standby mode feature(s) and have the appropriate drivers loaded to enter either of these sleep modes. For more information, see the manufacturer's documentation for each component.

- 1 **Standby.** In this sleep mode, power is reduced or turned off for most components, including the cooling fans. However, system memory remains active.
- 1 **Hibernate.** This sleep mode reduces power consumption to a minimum by writing all data in system memory to a hard drive and then removing system power. Waking up from this mode restarts the computer, and the memory contents are restored. Operation then resumes where the computer left off when it entered the hibernation mode.
- 1 **Shutdown.** This sleep mode removes all power from the computer except a small auxiliary amount. As long as the computer remains connected to an electrical outlet, it can be automatically or remotely started. For example, the **Auto Power On** option in system setup (see [System Setup](#)) allows the computer to automatically start at a specified time. Also, your network administrator can remotely start your computer using a power management event such as remote wake up.

The following table lists the sleep modes and the methods you can use to wake the computer from each mode.

Sleep Mode	Wake-Up Methods (Windows XP)
Standby	<ul style="list-style-type: none">1 Press the power button1 Auto power on1 Move or click the mouse1 Type on the keyboard1 USB device activity1 Power management event
Hibernate	<ul style="list-style-type: none">1 Press the power button1 Auto power on1 Power management event
Shutdown	<ul style="list-style-type: none">1 Press the power button1 Auto power on1 Power management event

-  **NOTE:** For more information on power management, see your operating system documentation.
-

[Back to Contents Page](#)


Battery

Dell™ OptiPlex™ 745 User's Guide

[Replacing the Battery](#)

Replacing the Battery

 **CAUTION:** Before you begin any of the procedures in this section, follow the safety instructions in the *Product Information Guide*.

 **NOTICE:** To prevent static damage to components inside your computer, discharge static electricity from your body before you touch any of your computer's electronic components. You can do so by touching an unpainted metal surface on the computer chassis.

A coin-cell battery maintains computer configuration, date, and time information. The battery can last several years.

The battery may need replacing if an incorrect time or date is displayed during the boot routine along with a message such as:

```
Time-of-day not set - please run SETUP program
```

or


```
Invalid configuration information -  
please run SETUP program
```

or

```
Strike the F1 key to continue,  
F2 to run the setup utility
```


To determine whether you need to replace the battery, reenter the time and date in system setup and exit the program to save the information. Turn off your computer and disconnect it from the electrical outlet for a few hours; then reconnect the computer, turn it on, and enter system setup (see [Entering System Setup](#)). If the date and time are not correct in system setup, replace the battery.


You can operate your computer without a battery; however, without a battery, the configuration information is erased if the computer is turned off or unplugged from the electrical outlet. In this case, you must enter system setup (see [Entering System Setup](#)) and reset the configuration options.

 **CAUTION:** A new battery can explode if it is incorrectly installed. Replace the battery only with the same or equivalent type recommended by the manufacturer. Discard used batteries according to the manufacturer's instructions.

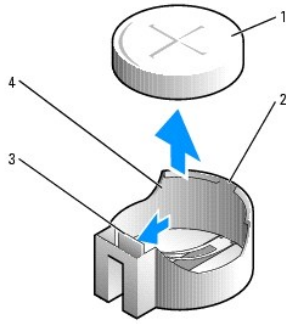
To remove the battery:

1. If you have not already done so, make a copy of your configuration information, found in system setup.
2. Follow the procedures in [Before You Begin](#).
3. Locate the battery socket.

 **NOTICE:** If you pry the battery out of its socket with a blunt object, be careful not to touch the system board with the object. Ensure that the object is inserted between the battery and the socket before you attempt to pry out the battery. Otherwise, you may damage the system board by prying off the socket or by breaking circuit traces on the system board.

 **NOTICE:** To avoid damage to the battery connector, you must firmly support the connector while removing the battery.

4. Remove the system battery.
 - a. Support the battery connector by pressing down firmly on the positive side of the connector.
 - b. While supporting the battery connector, press the battery tab away from the positive side of the connector and pry the battery it up out of the securing tabs at the negative side of the connector.



1	system battery
2	positive side of battery connector
3	battery socket tab
4	battery socket

➡ **NOTICE:** To avoid damage to the battery connector, you must firmly support the connector while replacing the battery.

5. Install the new system battery.
 - a. Support the battery connector by pressing down firmly on the positive side of the connector.
 - b. Hold the battery with the "+" facing up, and slide it under the securing tabs at the positive side of the connector.
 - c. Press the battery straight down into the connector until it snaps into place.
6. Replace the computer cover (see [Replacing the Computer Cover](#)).
7. Enter system setup (see [Entering System Setup](#)) and restore the settings you recorded in [step 1](#).
8. Properly dispose of the old battery as described in the *Product Information Guide*.

[Back to Contents Page](#)

Before You Begin

Dell™ OptiPlex™ 745 User's Guide

- [Recommended Tools](#)
- [Turning Off Your Computer](#)
- [Before Working Inside Your Computer](#)

This chapter provides procedures for removing and installing the components in your computer. Unless otherwise noted, each procedure assumes that the following conditions exist:

- 1 You have performed the steps in [Turning Off Your Computer](#) and [Before Working Inside Your Computer](#).
 - 1 You have read the safety information in your Dell™ *Product Information Guide*.
 - 1 A component can be replaced by performing the removal procedure in reverse order.
-

Recommended Tools

The procedures in this document may require the following tools:

- 1 Small flat-blade screwdriver
 - 1 Phillips screwdriver
 - 1 Flash BIOS update program floppy disk or CD
-

Turning Off Your Computer

➡ **NOTICE:** To avoid losing data, save and close any open files and exit any open programs before you turn off your computer.

1. Shut down the operating system:
 - a. Save and close any open files, exit any open programs, click the **Start** button, and then click **Turn Off Computer**.
 - b. In the **Turn off computer** window, click **Turn off**.
The computer turns off after the operating system shutdown process finishes.
2. Ensure that the computer and any attached devices are turned off.
If your computer and attached devices did not automatically turn off when you shut down your operating system, turn them off now.

To turn off your computer without shutting down the operating system is not recommended, because you may lose data. If, however, it is necessary to do so, it may be done by pressing down and holding the power button for 6 seconds.

Before Working Inside Your Computer

Use the following safety guidelines to help protect your computer from potential damage and to help ensure your own personal safety.

⚠ **CAUTION:** Before you begin any of the procedures in this section, follow the safety instructions in the *Product Information Guide*.

⚠ **CAUTION:** Handle components and cards with care. Do not touch the components or contacts on a card. Hold a card by its edges or by its metal mounting bracket. Hold a component such as a processor by its edges, not by its pins.

➡ **NOTICE:** Only a certified service technician should perform repairs on your computer. Damage due to servicing that is not authorized by Dell is not covered by your warranty.

➡ **NOTICE:** When you disconnect a cable, pull on its connector or on its strain-relief loop, not on the cable itself. Some cables have a connector with locking tabs; if you are disconnecting this type of cable, press in on the locking tabs before you disconnect the cable. As you pull connectors apart, keep them evenly aligned to avoid bending any connector pins. Also, before you connect a cable, ensure that both connectors are correctly oriented and aligned.


➡ **NOTICE:** To avoid damaging the computer, perform the following steps before you begin working inside the computer.

1. Turn off your computer.


➡ **NOTICE:** To disconnect a network cable, first unplug the cable from your computer and then unplug it from the network wall jack.

2. Disconnect any telephone or telecommunication lines from the computer.

3. Disconnect your computer and all attached devices from their electrical outlets, and then press the power button to ground the system board.
4. If applicable, remove the computer stand (for instructions, see the documentation that came with the stand) and the cable cover, if attached (see [Cable Cover \(Optional\)](#)).

 **CAUTION:** To guard against electrical shock, always unplug your computer from the electrical outlet before removing the cover.

5. Remove the computer cover.
 - 1 For your mini tower computer, see: [Removing the Computer Cover](#).
 - 1 For your desktop computer, see: [Removing the Computer Cover](#).
 - 1 For your small form-factor computer, see: [Removing the Computer Cover](#).
 - 1 For your ultra small form-factor computer, see: [Removing the Computer Cover](#).


 **NOTICE:** Before touching anything inside your computer, ground yourself by touching an unpainted metal surface, such as the metal at the back of the computer. While you work, periodically touch an unpainted metal surface to dissipate any static electricity that could harm internal components.

[Back to Contents Page](#)


Cleaning Your Computer

Dell™ OptiPlex™ 745 User's Guide


- [Computer, Keyboard, and Monitor](#)
- [Mouse](#)
- [Floppy Drive](#)
- [CDs and DVDs](#)

 **CAUTION:** Before you begin any of the procedures in this section, follow the safety instructions in the *Product Information Guide*.

Computer, Keyboard, and Monitor

 **CAUTION:** Before you clean your computer, disconnect the computer from the electrical outlet. Clean your computer with a soft cloth dampened with water. Do not use liquid or aerosol cleaners, which may contain flammable substances.


1. Use a can of compressed air to remove dust from between the keys on the keyboard.

 **NOTICE:** To prevent damage to the antiglare coating, do not wipe the display with soap or alcohol.

1. To clean your monitor screen, lightly dampen a soft, clean cloth with water. You can also use a special screen-cleaning tissue or solution suitable for the monitor's antistatic coating.
1. Wipe the keyboard, computer, and monitor plastics with a soft cleaning cloth moistened with a solution of three parts water and one part dishwashing detergent.

Do not soak the cloth or let water drip inside your computer or keyboard.

Mouse

 **NOTICE:** Disconnect the mouse from the computer before cleaning the mouse.

If your screen cursor skips or moves abnormally, clean the mouse.


Cleaning a Non-Optical Mouse

1. Clean the outside casing of the mouse with a cloth moistened with a mild cleaning solution.
2. Turn the retainer ring on the underside of your mouse counterclockwise, and then remove the ball.
3. Wipe the ball with a clean, lint-free cloth.
4. Blow carefully into the ball cage or use a can of compressed air to dislodge dust and lint.
5. If the rollers inside the ball cage are dirty, clean the rollers with a cotton swab moistened lightly with isopropyl alcohol.
6. Recenter the rollers in their channels if they are misaligned. Ensure that fluff from the swab is not left on the rollers.
7. Replace the ball and retainer ring, and turn the retainer ring clockwise until it clicks into place.

Cleaning an Optical Mouse

Clean the outside casing of the mouse with a cloth moistened with a mild cleaning solution.

Floppy Drive

 **NOTICE:** Do not attempt to clean drive heads with a swab. You might accidentally misalign the heads which prevents the drive from operating.

Clean your floppy drive using a commercially available cleaning kit. These kits contain pretreated floppy disks to remove contaminants that accumulate during normal operation.

CDs and DVDs

➡ **NOTICE:** Always use compressed air to clean the lens in the optical drive, and follow the instructions that come with the compressed-air product. Never touch the lens in the drive.

If you notice problems, such as skipping, with the playback quality of your CDs or DVDs, try cleaning the discs.

1. Hold the disc by its outer edge. You can also touch the inside edge of the center hole.

➡ **NOTICE:** To avoid damaging the surface, do not wipe in a circular motion around the disc.

2. With a soft, lint-free cloth, gently wipe the bottom of the disc (the unlabeled side) in a straight line from the center to the outer edge of the disc.

For stubborn dirt, try using water or a diluted solution of water and mild soap. You can also purchase commercial products that clean discs and provide some protection from dust, fingerprints, and scratches. Cleaning products for CDs are also safe to use on DVDs.

[Back to Contents Page](#)

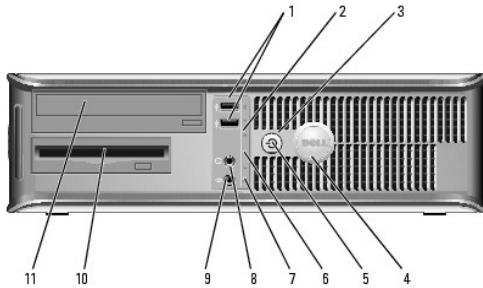
Desktop Computer

Dell™ OptiPlex™ 745 User's Guide

- [About Your Desktop Computer](#)
- [Inside Your Computer](#)

About Your Desktop Computer

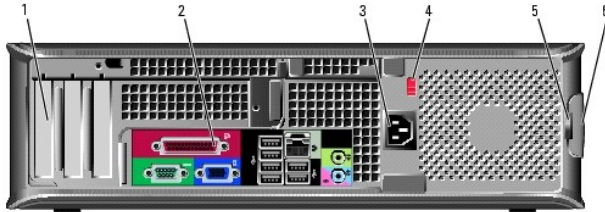
Front View



1	USB 2.0 connectors (2)	Use the front USB connectors for devices that you connect occasionally, such as joysticks or cameras, or for bootable USB devices (see System Setup for more information about booting to a USB device). It is recommended that you use the back USB connectors for devices that typically remain connected, such as printers and keyboards.
2	LAN indicator light	This light indicates that a LAN (local area network) connection is established.
3	power button	Press this button to turn on the computer. NOTICE: To avoid losing data, do not turn off the computer by pressing the power button. Instead, perform an operating system shutdown. See Turning Off Your Computer for more information. NOTICE: If your operating system has ACPI enabled, when you press the power button the computer will perform an operating system shutdown.
4	Dell badge	This badge can be rotated to match the orientation of your computer. To rotate, place fingers around the outside of the badge, press firmly, and turn the badge. You can also rotate the badge using the slot provided near the bottom of the badge.
5	power light	The power light illuminates and blinks or remains solid to indicate different operating states: <ul style="list-style-type: none"> 1 No light — The computer is turned off. 1 Steady green — The computer is in a normal operating state. 1 Blinking green — The computer is in a power-saving mode. 1 Blinking or solid amber — See Power Problems. <p>To exit from a power-saving mode, press the power button or use the keyboard or the mouse if it is configured as a wake device in the Windows Device Manager. For more information about sleep modes and exiting from a power-saving mode, see Power Management.</p> <p>See System Lights for a description of light codes that can help you troubleshoot problems with your computer.</p>
6	diagnostic lights	Use the lights to help you troubleshoot a computer problem based on the diagnostic code. For more information, see Diagnostic Lights .
7	hard-drive activity light	This light flickers when the hard drive is being accessed.
8	headphone connector	Use the headphone connector to attach headphones and most kinds of speakers.
9	microphone connector	Use the microphone connector to attach a microphone.

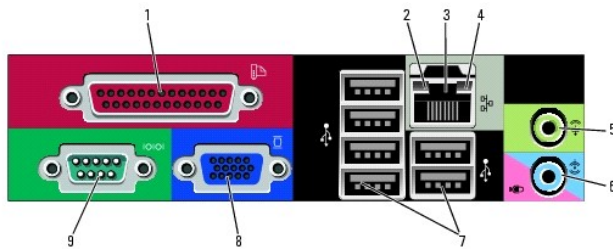
10	3.5-inch drive bay	Can contain an optional floppy drive or optional Media Card Reader.
11	5.25-inch drive bay	Can contain an optical drive. Insert a CD or DVD (if supported) into this drive.

Back View



1	card slots	Access connectors for any installed PCI and PCI Express cards.
2	back-panel connectors	Plug serial, USB, and other devices into the appropriate connectors (see Back-Panel Connectors).
3	power connector	Insert the power cable.
4	voltage selection switch	Your computer is equipped with a manual voltage selection switch. To help avoid damaging a computer with a manual voltage selection switch, set the switch for the voltage that most closely matches the AC power available in your location. NOTICE: In Japan the voltage selection switch must be set to the 115-V position. Also, ensure that your monitor and attached devices are electrically rated to operate with the AC power available in your location.
5	padlock ring	Insert a padlock to lock the computer cover.
6	cover-release latch	Allows you to open the computer cover.

Back-Panel Connectors



1	parallel connector	Connect a parallel device, such as a printer, to the parallel connector. If you have a USB printer, plug it into a USB connector. NOTE: The integrated parallel connector is automatically disabled if the computer detects an installed card containing a parallel connector configured to the same address. For more information, see System Setup Options .
2	link integrity light	<ul style="list-style-type: none"> 1 Green — A good connection exists between a 10-Mbps network and the computer. 1 Orange — A good connection exists between a 100-Mbps network and the computer. 1 Yellow — A good connection exists between a 1-Gbps (or 1000-Mbps) network and the computer. 1 Off — The computer is not detecting a physical connection to the network.
3	network adapter connector	To attach your computer to a network or broadband device, connect one end of a network cable to either a network jack or your network or broadband device. Connect the other end of the network cable to the network adapter connector on the back panel of your computer. A click

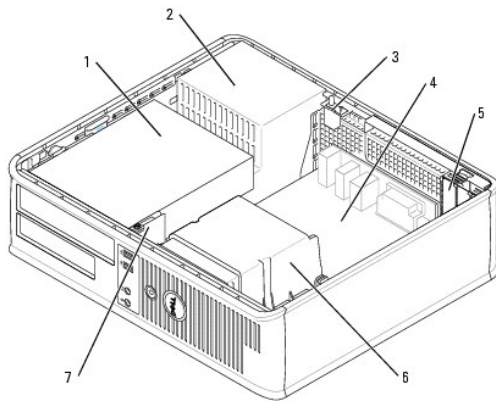
		<p>indicates that the network cable has been securely attached.</p> <p>NOTE: Do not plug a telephone cable into the network connector.</p> <p>On computers with a network connector card, use the connector on the card.</p> <p>It is recommended that you use Category 5 wiring and connectors for your network. If you must use Category 3 wiring, force the network speed to 10 Mbps to ensure reliable operation.</p>
4	network activity light	Flashes a yellow light when the computer is transmitting or receiving network data. A high volume of network traffic may make this light appear to be in a steady "on" state.
5	line-out connector	<p>Use the green line-out connector to attach headphones and most speakers with integrated amplifiers.</p> <p>On computers with a sound card, use the connector on the card.</p>
6	line-in/microphone connector	<p>Use the blue and pink line-in/microphone connector to attach a record/playback device such as a cassette player, CD player, or VCR.; or a personal computer microphone for voice or musical input into a sound or telephony program.</p> <p>On computers with a sound card, use the connector on the card.</p>
7	USB 2.0 connectors (6)	Use the back USB connectors for devices that typically remain connected, such as printers and keyboards.
8	video connector	<p>Plug the cable from your VGA-compatible monitor into the blue connector.</p> <p>NOTE: If you purchased an optional graphics card, this connector will be covered by a cap. Connect your monitor to the connector on the graphics card. Do not remove the cap.</p> <p>NOTE: If you are using a graphics card that supports dual monitors, use the y-cable that came with your computer.</p>
9	serial connector	<p>Connect a serial device, such as a handheld device, to the serial port. The default designations are COM1 for serial connector 1 and COM2 for serial connector 2.</p> <p>For more information, see System Setup Options.</p>

Inside Your Computer

⚠ CAUTION: Before you begin any of the procedures in this section, follow the safety instructions in the *Product Information Guide*.

⚠ CAUTION: To avoid electrical shock, always unplug your computer from the electrical outlet before removing the computer cover.

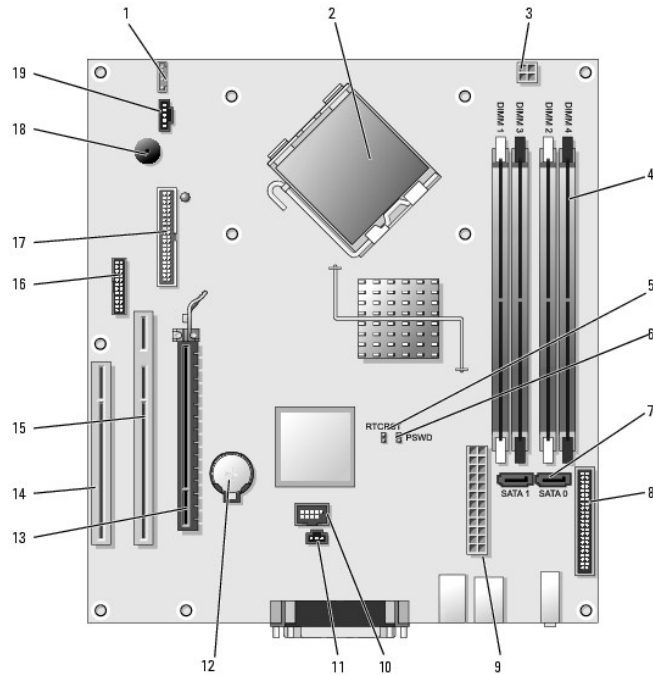
🔄 NOTICE: Be careful when opening the computer cover to ensure that you do not accidentally disconnect cables from the system board.



1	drive bays (media card reader or floppy drive, optical drive and hard drive)	5	card slots
---	--	---	------------

2	power supply	6	heat sink assembly
3	optional chassis-intrusion switch	7	front I/O panel
4	system board		

System Board Components



1	internal speaker (INT_SPKR)	11	intrusion switch connector (INTRUDER)
2	processor connector (CPU)	12	battery socket (BATT)
3	processor power connector (12VPOWER)	13	PCI Express x16 connector (SLOT1)
4	memory module connectors (DIMM_1, DIMM_2, DIMM_3, DIMM_4)	14	PCI connector (SLOT3)
5	RTC reset jumper (RTCST)	15	PCI connector (SLOT2)
6	password jumper (PSWD)	16	serial connector (SER2)
7	SATA connectors (SATA0, SATA1)	17	floppy drive connector (DSKT)
8	front-panel connector (FNT_PANEL)	18	system board speaker (BEEP)
9	power connector (POWER)	19	fan connector (FAN)
10	internal USB (INTERNAL_USB)		

[Back to Contents Page](#)

Dell™ OptiPlex™ 745 User's Guide

Desktop Computer






About Your Computer

[Finding Information](#)
[Desktop Computer](#)
[Desktop Computer Specifications](#)
[Advanced Features](#)
[Cleaning Your Computer](#)
[Reinstalling Drivers and the Operating System](#)
[Solving Problems](#)
[Microsoft® Windows® XP Features](#)
[Troubleshooting Tools and Utilities](#)
[Getting Help](#)
[Warranty](#)
[FCC Notices \(U.S. Only\)](#)
[Glossary](#)

Removing and Replacing Parts

[Before You Begin](#)
[Removing the Computer Cover](#)
[Chassis Intrusion Switch](#)
[I/O Panel](#)
[Drives](#)
[PCI and PCI Express Cards](#)
[Power Supply](#)
[Processor](#)
[Battery](#)
[Replacing the System Board](#)
[Memory](#)
[Replacing the Computer Cover](#)

Notes, Notices, and Cautions

-  **NOTE:** A NOTE indicates important information that helps you make better use of your computer.
-  **NOTICE:** A NOTICE indicates either potential damage to hardware or loss of data and tells you how to avoid the problem.
-  **CAUTION:** A CAUTION indicates a potential for property damage, personal injury, or death.

If you purchased a Dell™ n Series computer, any references in this document to Microsoft® Windows® operating systems are not applicable.

Information in this document is subject to change without notice.
© 2006 Dell Inc. All rights reserved.

Reproduction in any manner whatsoever without the written permission of Dell Inc. is strictly forbidden.

Trademarks used in this text: *Dell*, the *DELL* logo, *OptiPlex*, *Inspiron*, *Dimension*, *Latitude*, *Dell Precision*, *DellNet*, *TravelLite*, *Dell OpenManage*, *PowerVault*, *Axim*, *PowerEdge*, *PowerConnect*, and *PowerApp* are trademarks of Dell Inc.; *Intel*, *Pentium*, and *Celeron* are registered trademarks of Intel Corporation; *Microsoft*, *MS-DOS*, and *Windows* are registered trademarks of Microsoft Corporation; *IBM* is a registered trademark of International Business Machines Corporation; *Bluetooth* is a trademark owned by Bluetooth SIG, Inc. and is used by Dell Inc. under license. *ENERGY STAR* is a registered trademark of the U.S. Environmental Protection Agency. As an ENERGY STAR partner, Dell Inc. has determined that this product meets the ENERGY STAR guidelines for energy efficiency.

Other trademarks and trade names may be used in this document to refer to either the entities claiming the marks and names or their products. Dell Inc. disclaims any proprietary interest in trademarks and trade names other than its own.

Models: DCTR, DCNE, DCSM, and DCCY

June 2006 KH288 Rev. A00

Dell™ OptiPlex™ 745 User's Guide

Expansion Cards

Expansion Cards

CAUTION: Before you begin any of the procedures in this section, follow the safety instructions in the *Product Information Guide*.

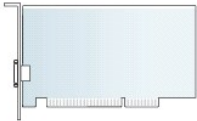
NOTICE: To prevent static damage to components inside your computer, discharge static electricity from your body before you touch any of your computer's electronic components. You can do so by touching an unpainted metal surface on the computer chassis.

Your Dell™ computer supports a serial port adapter and provides the following slots for PCI and PCI Express cards:

- 1 Two low-profile PCI card slots
- 1 One low-profile PCI Express x16 card slot

NOTE: Your Dell computer uses only PCI and PCI Express slots. ISA cards are not supported.

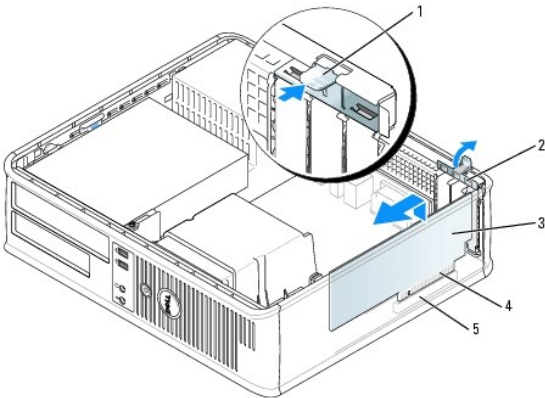
PCI Cards



Installing an Expansion Card

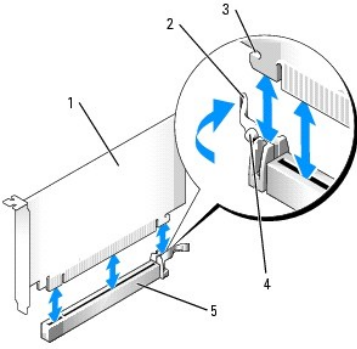
If you are replacing an expansion card, remove the current driver for the card from the operating system. See the documentation that came with the card for information.

1. Follow the procedures in [Before You Begin](#).
2. Gently push the release tab on the card-retention latch.



1	release tab	4	card-edge connector
2	card-retention latch	5	card connector
3	card		


3. If you are installing a new card, remove the filler bracket to create a card-slot opening. Then continue with step 5.
4. If you are replacing a PCI Express x16 card, press the lever on the securing tab with your thumb until you release the securing tab.

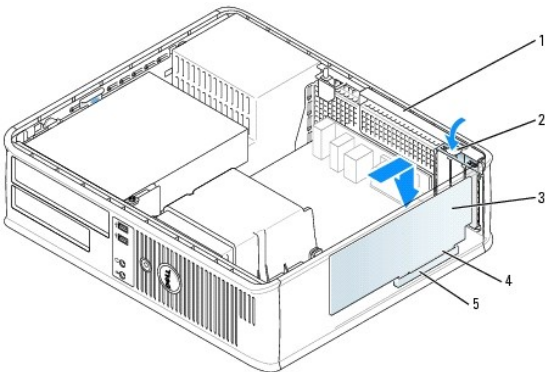


1	PCI Express x16 card
2	lever
3	securing slot (not all cards)
4	securing tab
5	PCI Express x16 card connector


5. If you are replacing a card that is already installed in the computer, remove the card. If necessary, disconnect any cables connected to the card.

6. Prepare the card for installation.

 **NOTE:** See the documentation that came with the card for information on configuring the card, making internal connections, or customizing it for your computer.

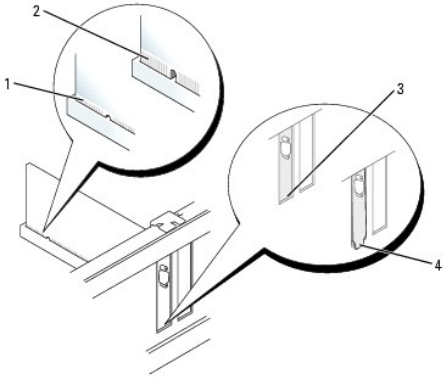


1	card-retention latch
2	release tab
3	card
4	card-edge connector
5	card connector

 **CAUTION:** Some network adapters automatically start the computer when they are connected to a network. To guard against electrical shock, be sure to unplug your computer from its electrical outlet before installing any cards.

7. If you are installing a PCI Express card, press the lever on the securing tab away from the card connector as you insert the new card.

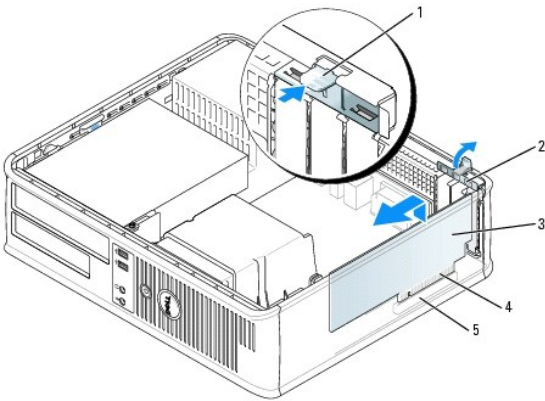
8. Place the card in the connector and press down firmly. Ensure that the card is fully seated in the slot.



1	fully seated card
2	not fully seated card
3	bracket within slot
4	bracket caught outside of slot

9. If you are installing a PCI Express card, release the lever on the securing tab, and ensure that the securing tab fits into the notch on the front end of the card.

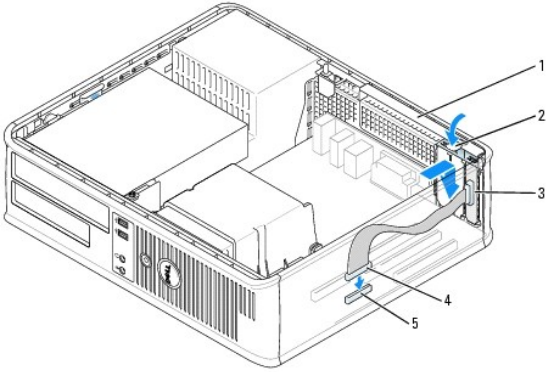
10. Gently press down on the card-retention latch to secure the card.



1	release tab	4	card-edge connector
2	card-retention latch	5	card connector
3	card		

NOTICE: Do not route card cables over or behind the cards. Cables routed over the cards can prevent the computer cover from closing properly or cause damage to the equipment.

11. If you are installing a serial port adapter, connect the adapter cable to the serial port adapter connector (SER2) on the system board (see [System Board Components](#)).



1	card-retention latch
2	release tab
3	serial port adapter bracket
4	serial port adapter connector
5	serial port adapter system board connector (SER2)

12. Connect any cables that should be attached to the card.

13. Replace the computer cover (see [Replacing the Computer Cover](#)), reconnect the computer and devices to electrical outlets, and then turn them on.

🔗 **NOTICE:** To connect a network cable, first plug the cable into the network wall jack and then plug it into the computer.

14. If you installed a sound card:

- a. Enter system setup, select **Audio Controller**, and change the setting to **Off** (see [Entering System Setup](#)).
- b. Connect external audio devices to the sound card's connectors. Do not connect external audio devices to the microphone, speaker/headphone, or line-in connectors on the back or front panel.

15. If you installed a network adapter card and want to turn off the integrated network adapter:

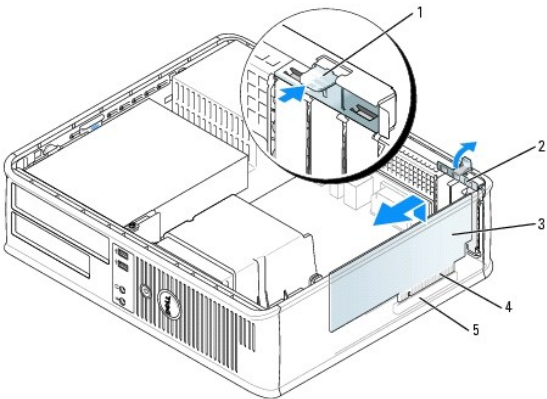
- a. Enter system setup, select **Network Controller**, and change the setting to **Off** (see [Entering System Setup](#)).
- b. Connect the network cable to the network adapter card's connectors. Do not connect the network cable to the integrated network connector on the back panel.

16. Install any drivers required for the card as described in the card documentation.

Removing a PCI Card

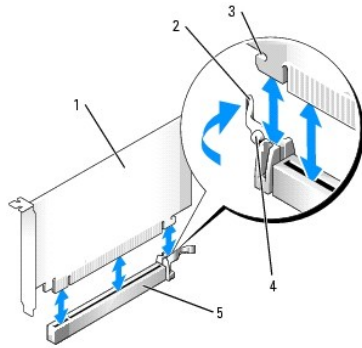
1. Follow the procedures in [Before You Begin](#).

2. Gently push the release tab on the card retention latch and swing it outward.



1	release tab	4	card-edge connector
2	card-retention latch	5	card connector
3	card		

3. If necessary, disconnect any cables connected to the card.
4. If you are removing a PCI Express x16 card, press the lever on the securing tab with your thumb until you release the securing tab.



1	PCI Express x16 card
2	lever
3	securing slot (not all cards)
4	securing tab
5	PCI Express x16 card connector

5. Grasp the card by its top corners, and ease it out of its connector.
6. If you are removing the card permanently, install a filler bracket in the empty card-slot opening.

NOTE: Installing filler brackets over empty card-slot openings is necessary to maintain FCC certification of the computer. The brackets keep dust and dirt out of your computer and maintain the airflow that cools your computer.

7. Snap the card-retention latch into place.

NOTICE: To connect a network cable, first plug the cable into the network wall jack and then plug it into the computer.

8. Replace the computer cover (see [Replacing the Computer Cover](#)), reconnect the computer and devices to electrical outlets, and then turn them on.

9. Uninstall the card's driver. See the documentation that came with the card for instructions.

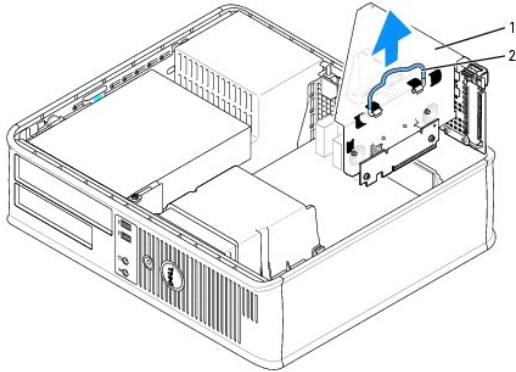
10. If you removed a sound card:
 - a. Enter system setup, select **Audio Controller**, and change the setting to **On** (see [Entering System Setup](#)).
 - b. Connect external audio devices to the audio connectors on the computer back panel.

11. If you removed a network adapter card:
 - a. Enter system setup, select **Network Controller**, and change the setting to **On** (see [Entering System Setup](#)).
 - b. Connect the network cable to the integrated network connector on the back panel of the computer.

Installing a PCI Card in the Riser-Card Cage

1. Follow the procedures in [Before You Begin](#).
2. If applicable, remove the card installed in the PCI3 connector on the system board.
3. Remove the riser-card cage:
 - a. Check any cables connected to cards through the back-panel openings. Disconnect any cables that will not reach the riser-card cage once they are removed from the computer.

- b. Gently pull on the handle and lift the riser-card cage up and away from the computer.



1	riser-card cage
2	handle

4. If you are installing a new card, remove the filler bracket to create an empty card-slot opening.

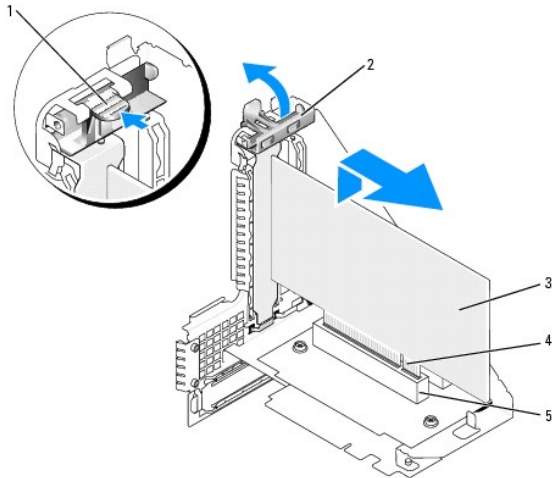
If you are replacing a card that is already installed in the computer, remove the card. If necessary, disconnect any cables connected to the card. Grasp the card by its corners, and ease it out of its connector.

NOTE: See the documentation that came with the card for information on configuring the card, making internal connections, or customizing it for your computer.

5. Prepare the new card for installation.

CAUTION: Some network adapters automatically start the computer when they are connected to a network. To guard against electrical shock, be sure to unplug your computer from its electrical outlet before installing any cards.

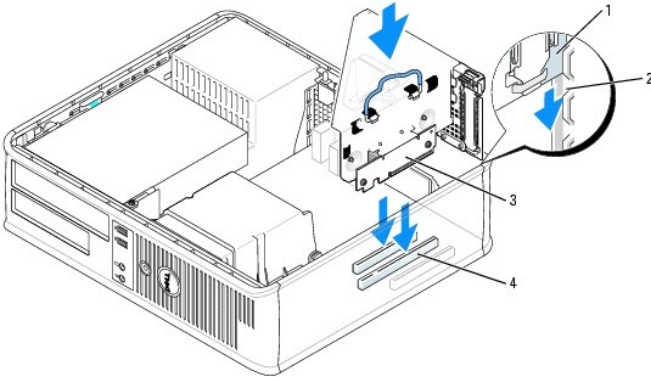
6. Press the release tab to raise the card-retention latch.



1	release tab	4	card-edge connector
2	card-retention latch	5	card connector
3	card		

7. Insert the card firmly into the card connector on the riser-card cage.
8. Lower the card-retention latch and press it into place, securing the card(s) in the computer.
9. Replace the riser-card cage:

- a. Align the tabs in the side of the riser-card cage with the slots on the side of the computer, and slide the riser-card cage down into place.
- b. Ensure that the riser cards are fully seated in the connectors on the system board.

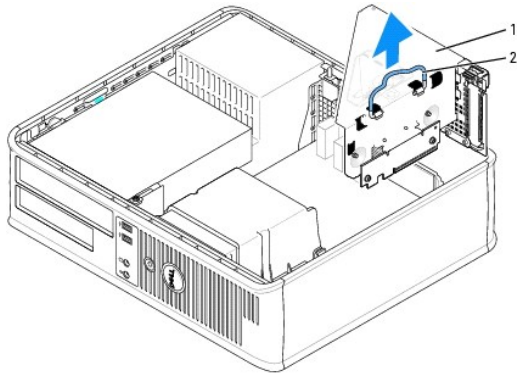


1	riser-card cage	3	riser cards (2)
2	slots	4	system board connectors (2)

10. Reconnect any cables that you removed in [step 3](#).
11. Connect any cables that should be attached to the card.
- NOTICE:** Do not route card cables over or behind the cards. Cables routed over the cards can prevent the computer cover from closing properly or cause damage to the equipment.
12. Replace the computer cover (see [Replacing the Computer Cover](#)), reconnect the computer and devices to electrical outlets, and then turn them on.
13. If you installed a sound card, perform the following steps:
 - a. Enter system setup, select **Audio Controller**, and change the setting to **Off** (see [Entering System Setup](#)).
 - b. Connect external audio devices to the sound card's connectors. Do not connect external audio devices to the microphone, speaker/headphone, or line-in connectors on the back panel.
14. If you installed a network adapter card and want to turn off the integrated network adapter:
 - a. Enter system setup, select **Network Controller** and change the setting to **Off** (see [Entering System Setup](#)).
 - b. Connect the network cable to the network adapter card's connectors. Do not connect the network cable to the integrated network connector on the back panel of the computer.
15. Install any drivers required for the card as described in the card documentation.

Removing a PCI Card From the Riser-Card Cage

1. Follow the procedures in [Before You Begin](#).
2. Remove the riser-card cage:
 - a. Check any cables connected to cards through the back-panel openings. Disconnect any cables that will not reach the riser-card cage once they are removed from the computer.
 - b. Gently pull on the handle and lift the riser-card cage up and away from the computer.

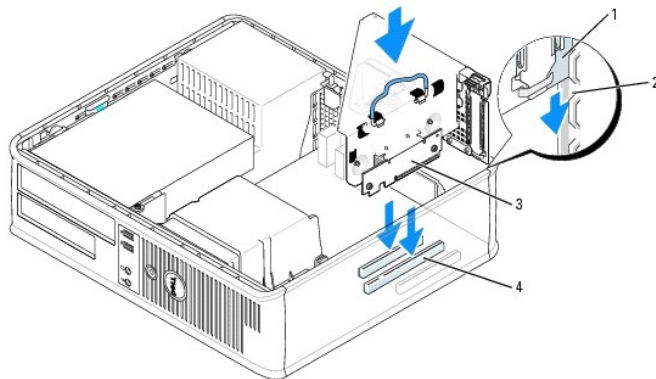


1	riser-card cage
2	handle

3. Press in on the tab to raise the card-retention latch.
4. If necessary, disconnect any cables connected to the card.
5. Grasp the card by its top corners, and ease it out of its connector.
6. If you are removing the card permanently, install a filler bracket in the empty card-slot opening.

NOTE: Installing filler brackets over empty card-slot openings is necessary to maintain FCC certification of the computer. The brackets keep dust and dirt out of your computer and maintain the airflow that cools your computer.

7. Lower the card-retention latch and press it into place.
8. Replace the riser-card cage:
 - a. Align the tabs in the side of the riser-card cage with the slots on the side of the computer, and slide the riser-card cage down into place.
 - b. Ensure that the riser cards are fully seated in the connectors on the system board.



1	riser-card cage	3	riser cards (2)
2	slots	4	system board connectors (2)

9. Replace the computer cover (see [Replacing the Computer Cover](#)), reconnect the computer and devices to electrical outlets, and then turn them on.
10. Uninstall the card's driver. See the documentation that came with the card for instructions.
11. If you removed a sound card:
 - a. Enter system setup, select **Audio Controller**, and change the setting to **On** (see [Entering System Setup](#)).
 - b. Connect external audio devices to the audio connectors on the computer back panel.
12. If you removed a network adapter card:

- a. Enter system setup, select **Network Controller**, and change the setting to **On** (see [Entering System Setup](#)).
 - b. Connect the network cable to the integrated network connector on the back panel of the computer.
-

[Back to Contents Page](#)

Dell™ OptiPlex™ 745 User's Guide

Processor

Processor

⚠ CAUTION: Before you begin any of the procedures in this section, follow the safety instructions located in the *Product Information Guide*.

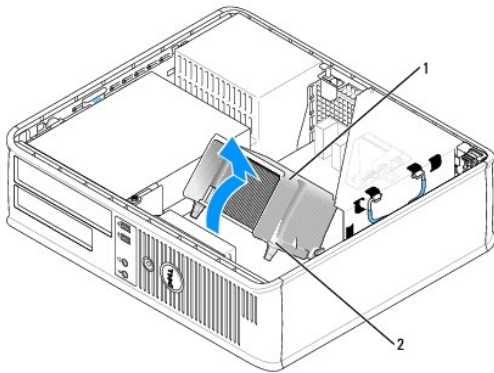
🔧 NOTICE: To prevent static damage to components inside your computer, discharge static electricity from your body before you touch any of your computer's electronic components. You can do so by touching an unpainted metal surface on the computer chassis.

Removing the Processor

1. Follow the procedures in [Before You Begin](#).
2. Loosen the captive screw on each side of the heat sink assembly.

⚠ CAUTION: Despite having a plastic shield, the heat sink assembly may be very hot during normal operation. Be sure that it has had sufficient time to cool before you touch it.

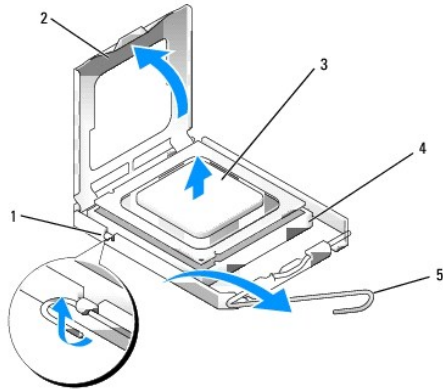
3. Rotate the heat sink assembly upward, and remove the assembly from the computer. Lay the heat sink down on its top, with the thermal grease facing upward.



1	heat sink assembly
2	captive screw housing (2)

🔧 NOTICE: Unless a new heatsink is required for the new processor, reuse the original heat sink assembly when you replace the processor.

4. Open the processor cover by sliding the release lever from under the center cover latch on the socket. Then pull the lever back to release the processor.



1	center cover latch
2	processor cover
3	processor
4	socket
5	release lever

➡ **NOTICE:** When replacing the processor, do not touch any of the pins inside the socket or allow any objects to fall on the pins in the socket.

5. Gently remove the processor from the socket.

Leave the release lever extended in the release position so that the socket is ready for the new processor.

Installing the Processor

➡ **NOTICE:** Ground yourself by touching an unpainted metal surface on the back of the computer.

➡ **NOTICE:** When replacing the processor, do not touch any of the pins inside the socket or allow any objects to fall on the pins in the socket.

1. Follow the procedures in [Before You Begin](#).

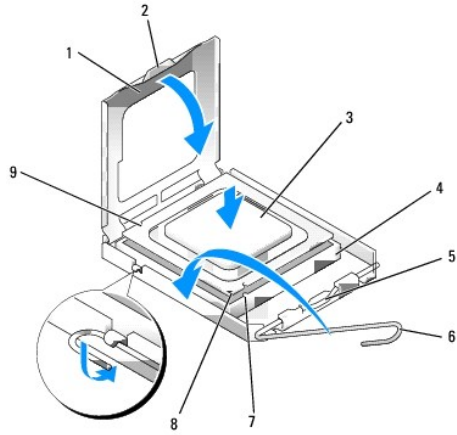
2. Unpack the new processor, being careful not to touch the underside of the processor.

➡ **NOTICE:** You must position the processor correctly in the socket to avoid permanent damage to the processor and the computer when you turn on the computer.

3. If the release lever on the socket is not fully extended, move it to that position.

4. Orient the front and rear alignment-notches on the processor with the front and rear alignment-notches on the socket.

5. Align the pin-1 corners of the processor and socket.



1	processor cover	6	release lever
2	tab	7	front alignment-notch
3	processor	8	socket and processor pin-1 indicator
4	processor socket	9	rear alignment-notch
5	center cover latch		

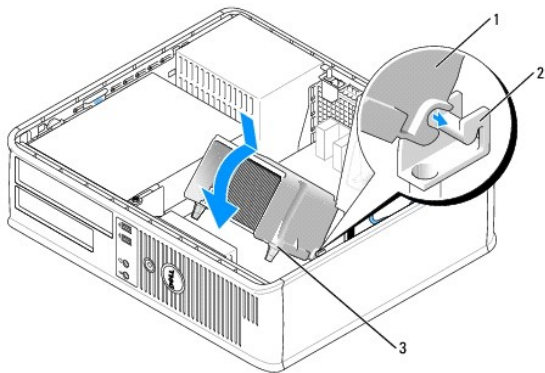
➔ **NOTICE:** To avoid damage, ensure that the processor aligns properly with the socket, and do not use excessive force when you install the processor.

6. Set the processor lightly in the socket and ensure that the processor is positioned correctly.
7. When the processor is fully seated in the socket, close the processor cover.
Ensure that the tab on the processor cover is positioned underneath the center cover latch on the socket.
8. Pivot the socket release lever back toward the socket, and snap it into place to secure the processor.
9. Clean the thermal grease from the bottom of the heat sink.

➔ **NOTICE:** Ensure that you apply new thermal grease. New thermal grease is critical for ensuring adequate thermal bonding, which is a requirement for optimal processor operation.

10. Apply the new thermal grease to the top of the processor.
11. Install the heat sink assembly:
 - a. Place the heat sink assembly back onto the heat-sink assembly bracket.
 - b. Rotate the heat sink assembly down towards the computer base and tighten the two captive screws.

➔ **NOTICE:** Ensure that the heat sink assembly is correctly seated and secure.



1	heat sink assembly
2	heat-sink assembly bracket
3	captive screw housing (2)

12. Replace the computer cover (see [Replacing the Computer Cover](#)).

[Back to Contents Page](#)

[Back to Contents Page](#)


Drives


Dell™ OptiPlex™ 745 User's Guide

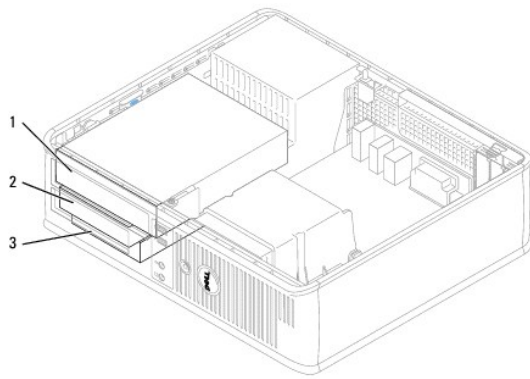
- [Optical Drive](#)
- [Floppy Drive and Media Card Reader](#)
- [Hard Drive](#)

Your computer supports:

- 1 One SATA (serial ATA) hard drive
- 1 One optional floppy drive or media card reader
- 1 One optional SATA optical drive

 **NOTE:** Due to the limited number of drive bays and controllers on this computer, you will not be able to connect all supported devices at once.

 **NOTE:** If you will be operating your computer without an optical drive or a 3.5-inch device (floppy drive or media card reader) installed, the appropriate drive-bay insert must be installed in place of the drive. Contact Dell if you need a drive-bay insert.



1	optical drive
2	floppy drive
3	hard drive

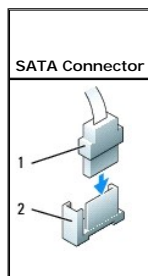
General Installation Guidelines

Connect a SATA hard drive or optical drive to a connector labeled "SATA" on the system board (see [System Board Components](#)).

Connecting Drive Cables

When you install a drive, you connect two cables—a DC power cable and a data cable—to the back of the drive.

Drive Interface Connectors

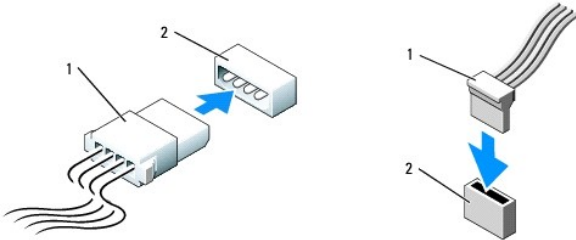


1	interface cable connector
2	interface connector

Most interface connectors are keyed for correct insertion; that is, a notch or a missing pin on one connector matches a tab or a filled-in hole on the other connector. Keyed connectors ensure that the pin-1 wire in the cable (indicated by the colored stripe along one edge of certain cables—SATA cables do not use a colored stripe) goes to the pin-1 end of the connector. The pin-1 end of a connector on a board or a card is usually indicated by a silk-screened "1" printed directly on the board or card.

➡ **NOTICE:** Inserting a cable incorrectly prevents the drive from operating and could damage the controller, the drive, or both.

Power Cable Connectors

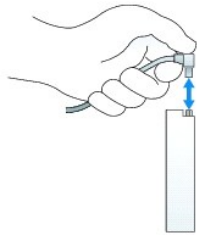


1	power cable
2	power input connector

Connecting and Disconnecting Drive Cables

When removing a cable with a pull-tab, grasp the colored pull-tab and pull until the connector detaches.

When connecting and disconnecting a SATA data cable, hold the cable by the black connector at each end.



Optical Drive

⚠ **CAUTION:** Before you begin any of the procedures in this section, follow the safety instructions in the *Product Information Guide*.

⚠ **CAUTION:** To guard against electrical shock, always unplug your computer from the electrical outlet before removing the computer cover.

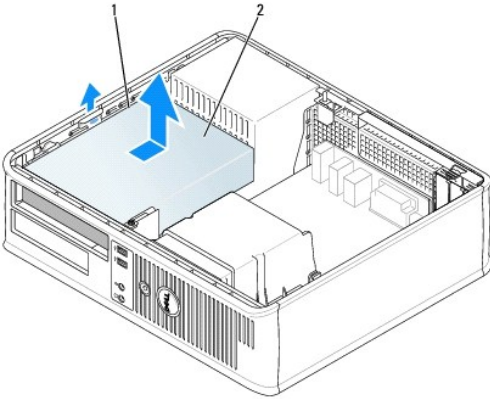
🔧 **NOTE:** If you will be operating your computer without an optical drive or a 3.5-inch device (floppy drive or Media Card Reader) installed, the appropriate drive-bay insert must be installed in place of the drive. Contact Dell if you need a drive-bay insert.

Removing an Optical Drive

1. Follow the procedures in [Before You Begin](#).

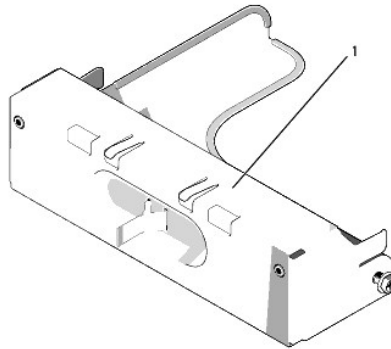
➡ **NOTICE:** Do not pull the drive out of the computer by the drive cables. Doing so may cause damage to cables and the cable connectors.

2. Pull up on the drive-release latch and slide the drive towards the back of the computer. Then, lift up to remove the drive from the computer.



1	drive-release latch
2	optical drive

3. Disconnect the power and data cables from the back of the drive.



1	optical-drive insert
---	----------------------

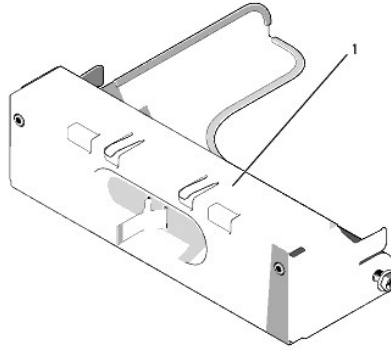
4. If you are not replacing the optical drive at this time, install the optical-drive insert by lowering it into the drive bay until it clicks into place. Contact Dell if you need a drive-bay insert.

Installing an Optical Drive

1. Unpack the drive and prepare it for installation.

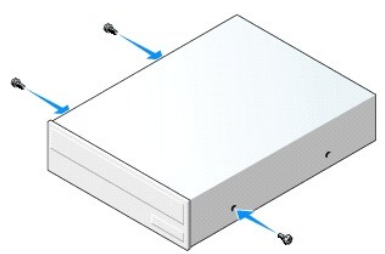
Check the documentation that accompanied the drive to verify that the drive is configured for your computer.

2. If you are installing a new drive:
 - a. Press the two snaps on the top of the drive-panel insert and rotate the insert toward the front of the computer.
 - b. Remove the three shoulder screws from the drive-panel insert.
 - c. Insert the three shoulder screws into the sides of the new drive and tighten them.
 - d. Pull to remove the floppy-drive insert that should be installed in the drive bay.

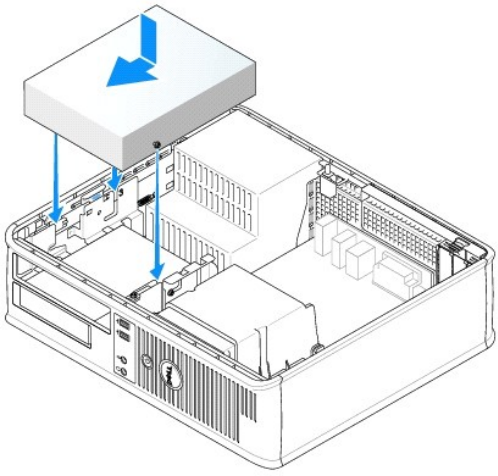


1 floppy-drive insert

- 3. If you are replacing an existing drive:
 - a. Remove the three shoulder screws from the existing drive.
 - b. Insert the three shoulder screws into the sides of the new drive and tighten them.



- 4. Connect the power and data cables to the drive.
- 5. Align the shoulder screws with the screw guides, and slide the drive into the bay until it clicks into place.



- 6. Check all cable connections, and fold cables out of the way to provide airflow for the fan and cooling vents.
 - 7. Replace the computer cover (see [Replacing the Computer Cover](#)).
 - 8. Update your configuration information by setting the appropriate **Drive** option (**0** or **1**) under **Drives**. See [System Setup](#) for more information.
 - 9. Verify that your computer works correctly by running the Dell Diagnostics (see [Dell Diagnostics](#)).
-

Floppy Drive and Media Card Reader

CAUTION: Before you begin any of the procedures in this section, follow the safety instructions in the *Product Information Guide*.

CAUTION: To guard against electrical shock, always unplug your computer from the electrical outlet before removing the computer cover.

NOTE: If you will be operating your computer without an optical drive or a 3.5-inch device (floppy drive or media card reader) installed, the appropriate drive-bay insert must be installed in place of the drive. Contact Dell if you need a drive-bay insert.

Removing a Floppy Drive or Media Card Reader

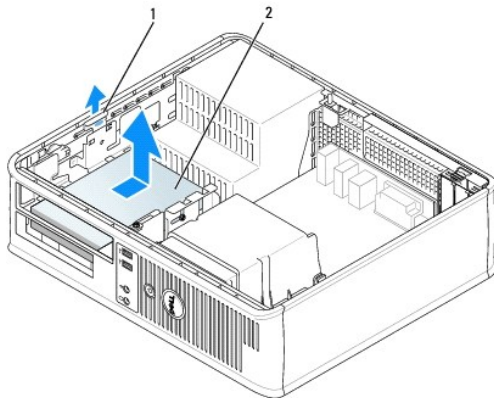
1. Follow the procedures in [Before You Begin](#).

NOTE: Since the following steps do not require the complete removal of the optical drive, it is not necessary to disconnect the cables connecting the optical drive.

2. Remove the optical drive and carefully set it aside (see [Optical Drive](#)).

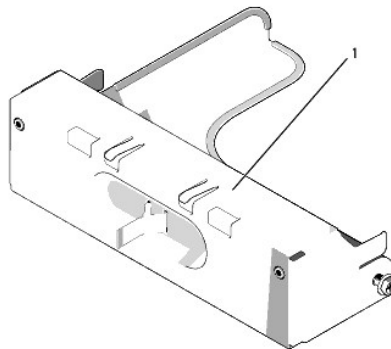
NOTICE: Do not pull the drive out of the computer by the drive cables. Doing so may cause damage to cables and the cable connectors.

3. Pull up on the drive-release latch and slide the floppy drive or media card reader towards the back of the computer. Then, lift up to remove the drive from the computer.



1	drive release latch
2	floppy drive

4. Disconnect the power and data cables from the back of the floppy drive or media card reader.

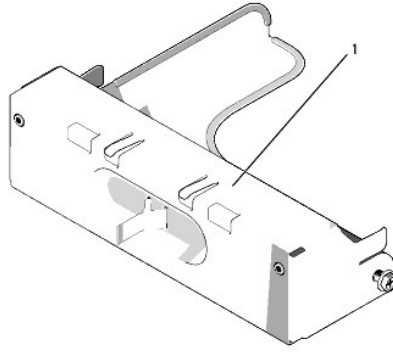


1	floppy-drive insert
---	---------------------

5. If you are not replacing the floppy drive or media card reader at this time, install the floppy-drive insert by lowering it into the drive bay until it clicks into place. Contact Dell if you need a drive-bay insert.

Installing a Floppy Drive or Media Card Reader

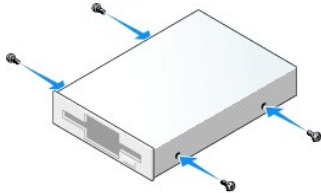
1. If you are installing a new drive or media card reader:
 - a. Use a small flat-edge screw driver on the back side of the drive-panel insert to gently pop off the insert.
 - b. Remove the four shoulder screws from the drive-panel insert.
 - c. Pull to remove the floppy-drive insert that should be installed in the drive bay.



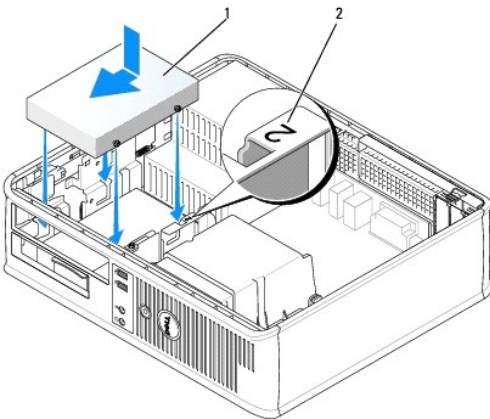
1	floppy-drive insert
---	---------------------

2. If you are replacing an existing drive or media card reader:

Remove the four shoulder screws from the existing drive or media card reader.
3. Insert the four shoulder screws into the sides of the new floppy drive or media card reader and tighten them.



4. Attach the power and data cables to the floppy drive or media card reader.
5. Align the shoulder screws with the screw guides, and slide the drive or media card reader into the bay until it clicks into place.



1	power cable
2	slot verification number

6. Replace the optical drive (see [Optical Drive](#)).
7. Check all cable connections, and fold cables out of the way to provide airflow for the fan and cooling vents.
8. Replace the computer cover (see [Replacing the Computer Cover](#)).
9. Enter system setup and set the **Diskette Drive** option to enable your new floppy drive (see [System Setup](#)).
10. Verify that your computer works correctly by running the Dell Diagnostics (see [Dell Diagnostics](#)).

Hard Drive

CAUTION: Before you begin any of the procedures in this section, follow the safety instructions in the *Product Information Guide*.

CAUTION: To guard against electrical shock, always unplug your computer from the electrical outlet before removing the computer cover.

NOTICE: To avoid damage to the drive, do not set it on a hard surface. Instead, set the drive on a surface, such as a foam pad, that will sufficiently cushion it.

Removing a Hard Drive

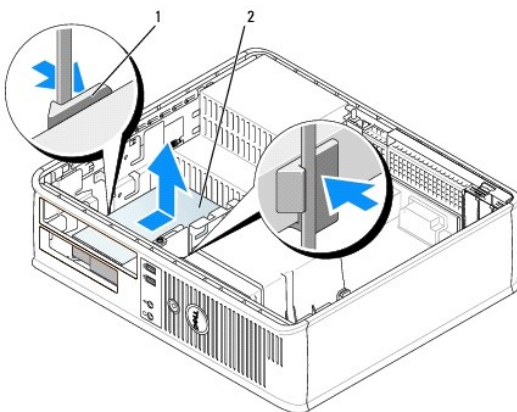
1. If you are replacing a hard drive that contains data you want to keep, back up your files before you begin this procedure.
2. Check the documentation for the drive to verify that it is configured for your computer.
3. Follow the procedures in [Before You Begin](#).

NOTE: Since the following steps do not require the complete removal of the optical drive and the floppy drive, it is not necessary to disconnect the cables connecting the two drives.

4. Remove the optical drive from the bay and carefully set it aside (see [Optical Drive](#)).
5. Remove the floppy drive from the bay and carefully set it aside (see [Floppy Drive and Media Card Reader](#)).
6. Press in on the two plastic securing clips on each side of the drive and slide the drive towards the back of the computer.

NOTICE: Do not pull the drive out of the computer by the drive cables. Doing so may cause damage to cables and the cable connectors.

7. Lift the drive out of the computer and disconnect the power and data cables from the drive.



1	securing clips (2)
2	hard drive

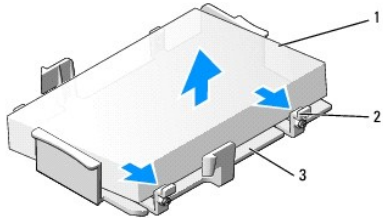
Installing a Hard Drive

1. Check the documentation for the drive to verify that it is configured for your computer.

NOTICE: To avoid damage to the drive, do not set it on a hard surface. Instead, set the drive on a surface, such as a foam pad, that will sufficiently cushion it.

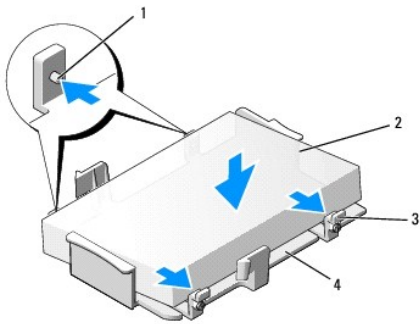
2. Unpack the replacement hard drive, and prepare it for installation.

3. If your replacement hard drive does not have the plastic hard-drive bracket attached, remove the bracket from the existing drive by unsnapping it from the drive.



1	hard drive
2	release tabs (2)
3	plastic hard-drive bracket

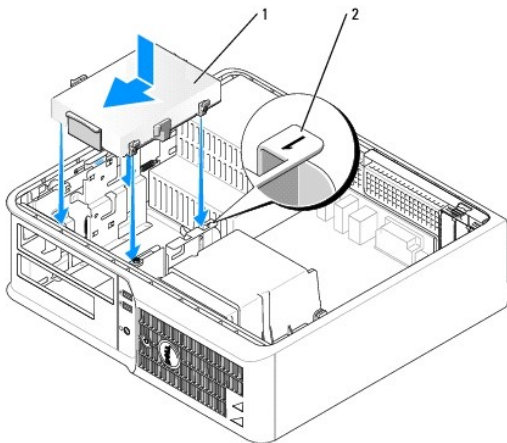
4. Attach the bracket to the new drive by snapping it onto the drive.



1	securing tabs (2)	3	release tabs (2)
2	drive	4	plastic hard-drive bracket

5. Connect the power and data cables to the drive.

6. Locate the correct slot for the drive, and slide the drive into the bay until it clicks into place.



1	hard drive
2	slot verification number

-
7. Replace the floppy drive and optical drive.
 8. Check all connectors to be certain that they are properly cabled and firmly seated.
 9. Replace the computer cover (see [Replacing the Computer Cover](#)).
 10. If the drive you just installed is the primary drive, insert a bootable medium into your boot drive.
 11. Turn on the computer.
 12. Enter system setup and update the appropriate **Primary Drive** option (**0** or **2**) (see [Entering System Setup](#)).
 13. Exit system setup, and reboot the computer.
 14. Partition and logically format your drive before you proceed to the next step.
For instructions, see the documentation that came with your operating system.
 15. Test the hard drive by running the Dell Diagnostics (see [Dell Diagnostics](#)).
 16. Install your operating system on the hard drive.
For instructions, see the documentation that came with your operating system.

[Back to Contents Page](#)

Dell™ OptiPlex™ 745 User's Guide

[I/O Panel](#)

I/O Panel

Removing the I/O Panel

⚠ CAUTION: Before you begin any of the procedures in this section, follow the safety instructions located in the *Product Information Guide*.

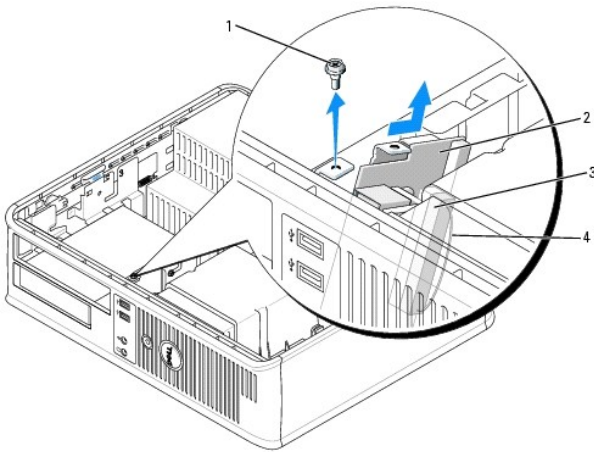
⚠ CAUTION: To guard against electrical shock, always unplug your computer from the electrical outlet before removing the cover.

🔧 NOTE: Note the routing of all cables before disconnecting them, so that you can re route them correctly when installing the new I/O panel.

1. Follow the procedures in [Before You Begin](#).
2. Remove the cable from the I/O panel by pulling on the pull-loop.
3. Remove the screw that secures the I/O panel to the desktop computer.

🔄 NOTICE: When sliding the I/O panel out of the computer, be extremely careful. Carelessness may result in damage to the cable connectors and the cable routing clips.

4. Gently rotate and slide the I/O panel away from the computer.



1	securing screw
2	I/O panel
3	I/O cable connector
4	I/O connector pull loop

Replacing the I/O Panel

1. To replace the I/O panel, follow the removal procedures in the reverse order.

🔧 NOTE: Use the guides on the I/O panel bracket to help position the I/O panel in place and use the notch on the I/O panel bracket to help seat the card.

Power Supply

Replacing the Power Supply

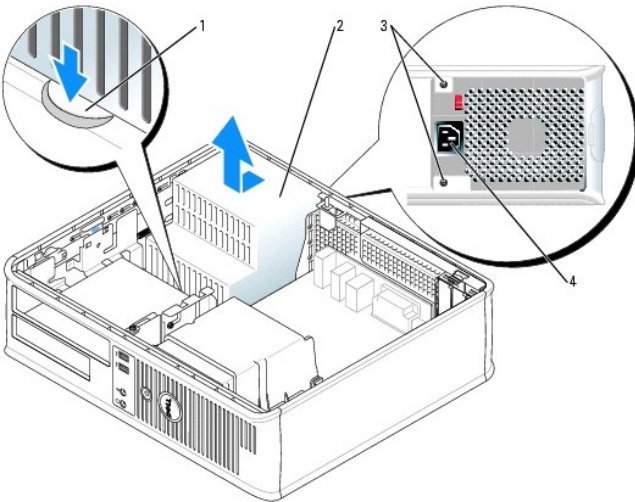
⚠ CAUTION: Before you begin any of the procedures in this section, follow the safety instructions located in the *Product Information Guide*.

🔌 NOTICE: To prevent static damage to components inside your computer, discharge static electricity from your body before you touch any of your computer's electronic components. You can do so by touching an unpainted metal surface on the computer chassis.

1. Follow the procedures in [Before You Begin](#).
2. Disconnect the DC power cables from the system board and the drives.

Note the routing of the DC power cables underneath the tabs in the computer chassis as you remove them from the system board and drives. You must route these cables properly when you replace them to prevent them from being pinched or crimped.

3. Remove the two screws that attach the power supply to the back of the computer chassis.
4. Remove the optical drive and carefully set it aside (see [Optical Drive](#)).
5. Press the release button located on the floor of the computer chassis.

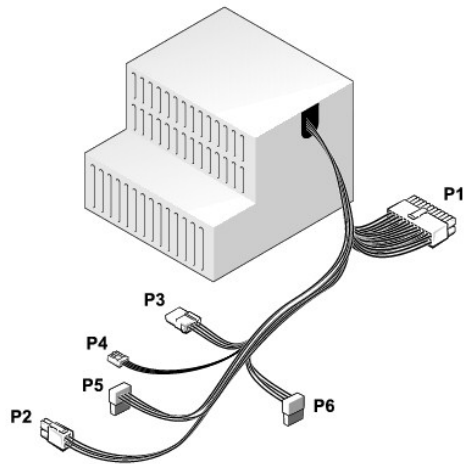


1	release button
2	power supply
3	screws (2)
4	AC power connector

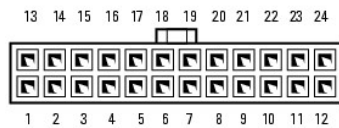
6. Slide the power supply toward the front of the computer approximately one inch.
7. Lift the power supply up and out of the computer.
8. Slide the replacement power supply into place.
9. Replace the screws that secure the power supply to the back of the computer chassis.
10. Reconnect the DC power cables.

11. Replace the optical drive (see [Optical Drive](#)).
12. Connect the AC power cable to the connector.
13. Replace the computer cover (see [Replacing the Computer Cover](#)).

DC Power Connectors



DC Power Connector P1



Pin Number	Signal name	18-AWG Wire
1	+3.3 VDC	Orange
2	+3.3 VDC	Orange
3	GND	Black
4	+5 VDC	Red
5	GND	Black
6	+5 VDC	Red
7	GND	Black
8	PS_PWRGOOD*	Gray
9	P5AUX	Purple
10	+12 VDC	White
11	+12 VDC	White
12	+3.3 VDC	Orange
13	+3.3 VDC/SE	Orange
14	+12 VDC*	Blue
15	GND	Black
16	PWR_PS_ON*	Green
17	GND	Black
18	GND	Black
19	GND	Black
20	NC	NC
21	+5 VDC	Red

22	+5 VDC	Red
23	+5 VDC	Red
24	GND	Black

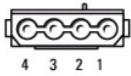
*Use 22-AWG wire instead of 18-AWG wire.

DC Power Connector P2



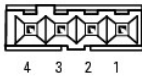
Pin Number	Signal Name	18-AWG Wire
1	GND	Black
2	GND	Black
3	+12 VDC	Yellow
4	+12 VDC	Yellow

DC Power Connector P3



Pin Number	Signal name	18-AWG Wire
1	+12VDC	Yellow
2	GND	Black
3	GND	Black
4	+5 VDC	Red

DC Power Connector P4



Pin Number	Signal Name	22-AWG Wire
1	+5 VDC	Red
2	GND	Black
3	GND	Black
4	+12 VDC	Yellow

DC Power Connector P5 and P6



--	--	--

Pin Number	Signal name	18-AWG Wire
1	+3.3 VDC	Orange
2	GND	Black
3	+5 VDC	Red
4	GND	Black
5	+12 VDC	Yellow

[Back to Contents Page](#)

Dell™ OptiPlex™ 745 User's Guide

● [Removing the Computer Cover](#)

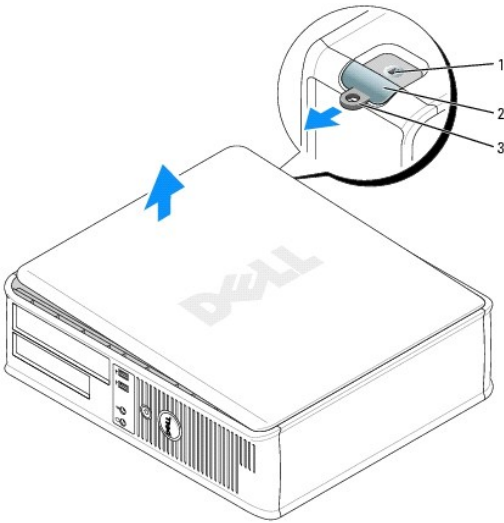
Removing the Computer Cover

⚠ CAUTION: Before you begin any of the procedures in this section, follow the safety instructions in the *Product Information Guide*.

⚠ CAUTION: To guard against electrical shock, always unplug your computer from the electrical outlet before removing the computer cover.

1. Follow the procedures in [Before You Begin](#).
2. If you have installed a padlock through the padlock ring on the back panel, remove the padlock.
3. Locate the cover release latch shown in the illustration. Then, slide the release latch back as you lift the cover.
4. Grip the sides of the computer cover and pivot the cover up using the hinge tabs as leverage points.
5. Remove the cover from the hinge tabs and set it aside on a soft nonabrasive surface.

⚠ CAUTION: Graphic card heatsinks can become very hot during normal operation. Ensure that a graphic card heatsink has had sufficient time to cool before you touch it.



1	security cable slot
2	cover release latch
3	padlock ring

Dell™ OptiPlex™ 745 User's Guide

• [Desktop Computer Specifications](#)

Desktop Computer Specifications

Microprocessor	
Microprocessor type	Intel® Pentium® 4, Pentium® D, Celeron®, or Core™ processor
Internal cache	at least 512 KB eight-way set associative, write-back SRAM

Memory	
Type	533, 667, or 800 MHz DDR2 SDRAM NOTE: 2-GB 800-MHz memory modules are not supported.
Memory connectors	4
Memory modules supported	256 MB, 512 MB, 1 GB, or 2 GB non-ECC
Minimum memory	dual-channel: 512 MB; single-channel: 256 MB
Maximum memory	At 533 or 667 MHz: 8 GB At 800 MHz: 4 GB
BIOS address	F0000h

Computer Information	
Chipset	Intel® Q965 Express
Data bus width	64 bits
Address bus width	32 bits
DMA channels	eight
Interrupt levels	24
BIOS chip (NVRAM)	8 Mb
NIC	integrated network interface with ASF 1.03 and 2.0 support as defined by DMTF Capable of 10/100/1000 communication

Video	
Type	Intel® Graphics Media Accelerator 3000 or PCI Express x16 graphics card

Audio	
Type	ADI 1983 High Definition Audio
Stereo conversion	20-bit analog-to-digital; 20-bit digital-to-analog

Controllers	
Drives	two SATA controllers supporting one device each

Expansion Bus	
---------------	--

Bus type	PCI 2.3 PCI Express 1.0A SATA 1.0A and 2.0 USB 2.0
Bus speed	PCI: 133 MB/s PCI Express x16: 8 GB/s bidirectional speed SATA: 1.5 Gbps and 3.0 Gbps USB: 480 Mbps
Cards	half-length, full-height cards supported with optional riser-card cage
Default: no riser-card cage	low-profile cards supported
PCI	
connectors	two
card size	low profile
connector size	120 pins
connector data width (maximum)	32 bits
PCI Express	
connectors	one x16
card size	low profile
power	25 W maximum
connector size	120 pins (x16)
connector data width (maximum)	16 PCI Express lanes (x16)
Optional: full-height PCI Express riser-card cage	low-profile and full-height cards supported
PCI	
connectors	two
card size	one low-profile card and one full-height card
connector size	120 pins
connector data width (maximum)	32 bits
PCI Express	
connectors	one x16
card size	full-height
power	25 W maximum
connector size	120 pins (x16)
connector data width (maximum)	16 PCI Express lanes (x16)
Optional: full-height PCI riser-card cage	low-profile and full-height cards supported
PCI	
connectors	three
card size	one low-profile card and two full-height cards
connector size	120 pins
connector data width (maximum)	32 bits

Drives	
Externally accessible	one 3.5-inch drive one bay for optical drive or optional second hard drive
Internally accessible	one bay for a 1-inch-high hard drive

Connectors	
External connectors:	
Serial	9-pin connector; 16550C-compatible
Parallel	25-hole connector (bidirectional)
Video	15-hole VGA connector
Network adapter	RJ45 connector
Optional PS/2 with secondary serial port adapter	two 6-pin mini-DINs
USB	two front-panel and six back-panel USB 2.0-compliant connectors

Audio	two connectors for line-in/ microphone and line-out; two front-panel connectors for headphones and microphone
System board connectors:	
SATA	two 7-pin connectors
internal USB	10-pin header for optional media card reader (3.5-inch bay device)
Floppy drive	34-pin connector
Serial	12-pin connector for optional second serial port card
Fan	5-pin connector
PCI 2.3	two 120-pin connectors
Front panel	40-pin connector

Key Combinations	
<Ctrl><Alt>	If you are running Microsoft® Windows® XP, brings up the Windows Security window; in MS-DOS® mode, restarts (reboots) the computer
<F2> or <Ctrl><Alt><Enter>	starts embedded system setup (during system start-up only)
<Ctrl><Alt>	automatically starts the computer from the network environment specified by the remote boot environment (PXE) rather than from one of the devices in the system setup Boot Sequence option (during system start-up only)
<F12> or <Ctrl><Alt><F8>	displays a boot device menu that allows the user to enter a device for a single boot (during system start-up only) as well as options to run hard-drive and system diagnostics

Controls and Lights	
Power control	push button
Power light	green light — blinking green indicates a sleep mode; solid green indicates a power-on state. amber light — blinking amber indicates a problem with an installed device; solid amber indicates an internal power problem (see Power Problems).
Hard-drive access light	green
Link light	solid green light indicates network connection
Link integrity light (on integrated network adapter)	green light for 10-Mb operation; orange light for 100-Mb operation; yellow light for a 1000-Mb (1-Gb) operation
Activity light (on integrated network adapter)	yellow blinking light
Diagnostic lights	Four lights on the front panel. See Diagnostic Lights .
Standby power light	AUX_PWR on the system board

Power	
DC power supply:	NOTE: Power consumption can be zero when the computer is unplugged.
Wattage	280 W
Heat dissipation	955 BTU/hr NOTE: Heat dissipation is calculated based upon the power supply rating.
Voltage	manual selection power supplies — 90 to 135 V at 50/60 Hz; 180 to 265 V at 50/60 Hz
Backup battery	3-V CR2032 lithium coin cell

Physical	
Height	11.4 cm (4.5 inches)
Width	39.9 cm (15.7 inches)
Depth	35.3 cm (13.9 inches)
Weight	10.4 kg (23 lb)

Environmental	
Temperature:	
Operating	10° to 35°C (50° to 95°F)
Storage	-40° to 65°C (-40° to 149°F)
Relative humidity	20% to 80% (noncondensing)
Maximum vibration:	
Operating	0.25 G at 3 to 200 Hz at 0.5 octave/min
Storage	0.5 G at 3 to 200 Hz at 1 octave/min
Maximum shock:	
Operating	bottom half-sine pulse with a change in velocity of 50.8 cm/sec (20 inches/sec)
Storage	27-G faired square wave with a velocity change of 508 cm/sec (200 inches/sec)
Altitude:	
Operating	-15.2 to 3048 m (-50 to 10,000 ft)
Storage	-15.2 to 10,668 m (-50 to 35,000 ft)

[Back to Contents Page](#)

FCC Notices (U.S. Only)


Dell™ OptiPlex™ 745 User's Guide

FCC Class B

This equipment generates, uses, and can radiate radio frequency energy and, if not installed and used in accordance with the manufacturer's instruction manual, may cause interference with radio and television reception. This equipment has been tested and found to comply with the limits for a Class B digital device pursuant to Part 15 of the FCC Rules.

This device complies with Part 15 of the FCC Rules. Operation is subject to the following two conditions:

1. This device may not cause harmful interference.
2. This device must accept any interference received, including interference that may cause undesired operation.

 **NOTICE:** The FCC regulations provide that changes or modifications not expressly approved by Dell Inc. could void your authority to operate this equipment.


These limits are designed to provide reasonable protection against harmful interference in a residential installation. However, there is no guarantee that interference will not occur in a particular installation. If this equipment does cause harmful interference with radio or television reception, which can be determined by turning the equipment off and on, you are encouraged to try to correct the interference by one or more of the following measures:

- 1 Reorient the receiving antenna.
- 1 Relocate the system with respect to the receiver.
- 1 Move the system away from the receiver.
- 1 Plug the system into a different outlet so that the system and the receiver are on different branch circuits.

If necessary, consult a representative of Dell Inc. or an experienced radio/television technician for additional suggestions.



The following information is provided on the device or devices covered in this document in compliance with the FCC regulations:




- 1 **Product name:** Dell™ OptiPlex™ 745
- 1 **Model numbers:** DCTR, DCNE, DCSM, DCCY
- 1 **Company name:**
Dell Inc.
Worldwide Regulatory Compliance & Environmental Affairs
One Dell Way
Round Rock, TX 78682 USA
512-338-4400

 **NOTE:** For Further regulatory information, see your *Product Information Guide*.

Finding Information

Dell™ OptiPlex™ 745 User's Guide

-  **NOTE:** Some features or media may be optional and may not ship with your computer. Some features or media may not be available in certain countries.
-  **NOTE:** Additional information may ship with your computer.

What Are You Looking For?	Find It Here
<ul style="list-style-type: none"> A diagnostic program for my computer Drivers for my computer My computer documentation My device documentation Desktop System Software (DSS) 	<p>Drivers and Utilities CD (also known as ResourceCD)</p> <p>NOTE: The <i>Drivers and Utilities</i> CD may be optional and may not ship with your computer.</p> <p>Documentation and drivers are already installed on your computer. You can use the CD to reinstall drivers (see Reinstalling Drivers and Utilities), to run the Dell Diagnostics (see Dell Diagnostics), or to access your documentation.</p>  <p>Readme files may be included on your CD to provide last-minute updates about technical changes to your computer or advanced technical-reference material for technicians or experienced users.</p> <p>NOTE: Drivers and documentation updates can be found at support.dell.com.</p>
<ul style="list-style-type: none"> How to set up my computer Basic troubleshooting information How to run the Dell Diagnostics Error codes and diagnostic lights Tools and utilities How to remove and install parts 	<p>Quick Reference Guide</p> <p>NOTE: This document may be optional and may not ship with your computer.</p>  <p>NOTE: This document is available as a PDF at support.dell.com.</p>
<ul style="list-style-type: none"> Warranty information Terms and Conditions (U.S. only) Safety instructions Regulatory information Ergonomics information End User License Agreement 	<p>Dell™ Product Information Guide</p> 
<ul style="list-style-type: none"> Service Tag and Express Service Code Microsoft Windows License Label 	<p>Service Tag and Microsoft® Windows® License</p> <p>These labels are located on your computer.</p>



- 1 Use the Service Tag to identify your computer when you use support.dell.com or contact support.
- 1 Enter the Express Service Code to direct your call when contacting support.

- 1 Solutions — Troubleshooting hints and tips, articles from technicians, and online courses, frequently asked questions
- 1 Community — Online discussion with other Dell customers
- 1 Upgrades — Upgrade information for components, such as memory, the hard drive, and the operating system
- 1 Customer Care — Contact information, service call and order status, warranty, and repair information
- 1 Service and support — Service call status and support history, service contract, online discussions with technical support
- 1 Reference — Computer documentation, details on my computer configuration, product specifications, and white papers
- 1 Downloads — Certified drivers, patches, and software updates
- 1 Desktop System Software (DSS)— If you reinstall the operating system for your computer, you should also reinstall the DSS utility. DSS provides **critical updates for your operating system and support for Dell™ 3.5-inch USB floppy drives, Intel® processors, optical drives, and USB devices.** DSS is necessary for correct operation of your Dell computer. The software automatically detects your computer and operating system and installs the updates appropriate for your configuration.

Dell Support Website — support.dell.com

NOTE: Select your region or business segment to view the appropriate support site.

To download Desktop System Software:

1. Go to support.dell.com, select your region or business segment, and enter your Service Tag.
2. Select **Drivers & Downloads** and click **Go**.
3. Click your operating system and search for the keyword *Desktop System Software*.

NOTE: The support.dell.com user interface may vary depending on your selections.

- 1 How to use Windows XP
- 1 How to work with programs and files
- 1 How to personalize my desktop

Windows Help and Support Center

1. Click **Start** → **Help and Support**.
2. Type a word or phrase that describes your problem and click the arrow icon.
3. Click the topic that describes your problem.
4. Follow the instructions on the screen.

- 1 How to reinstall my operating system

Operating System CD

NOTE: The *Operating System* CD may be optional and may not ship with your computer.

The operating system is already installed on your computer. To reinstall your operating system, use the *Operating System* CD. See [Reinstalling Windows XP](#).

After you reinstall your operating system, use the optional *Drivers and Utilities* CD (*ResourceCD*) to reinstall drivers for the devices that came with your computer. See [Drivers and Utilities CD \(also known as ResourceCD\)](#) for more information.



Your operating system product key label is located on your computer (see [Service Tag and Microsoft® Windows® License](#)).

NOTE: The color of your CD varies based on the operating system you ordered.

[Back to Contents Page](#)


[Back to Contents Page](#)

Getting Help

Dell™ OptiPlex™ 745 User's Guide

- [Obtaining Assistance](#)
 - [Problems With Your Order](#)
 - [Product Information](#)
 - [Returning Items for Warranty Repair or Credit](#)
 - [Before You Call](#)
 - [Contacting Dell](#)
-

Obtaining Assistance

 **CAUTION:** If you need to remove the computer covers, first disconnect the computer power and modem cables from all electrical outlets.


1. Complete the procedures in [Troubleshooting Tools and Utilities](#).
2. Run the Dell Diagnostics (see [Dell Diagnostics](#)).
3. Make a copy of the [Diagnostics Checklist](#) (see [Diagnostics Checklist](#)) and fill it out.
4. Use Dell's extensive suite of online services available at Dell Support (support.dell.com) for help with installation and troubleshooting procedures.
5. If the preceding steps have not resolved the problem, contact Dell.

 **NOTE:** Call the support service from a telephone near or at the computer so that the support staff can assist you with any necessary procedures.

NOTE: Dell's Express Service Code system may not be available in all countries.

When prompted by Dell's automated telephone system, enter your Express Service Code to route the call directly to the proper support personnel. If you do not have an Express Service Code, open the **Dell Accessories** folder, double-click the **Express Service Code** icon, and follow the directions.

For instructions on using the support service, see [Support Service](#).

 **NOTE:** Some of the following services are not always available in all locations outside the continental U.S. Call your local Dell representative for information on availability.

Online Services

You can access Dell Support at support.dell.com. Select your region on the **WELCOME TO DELL SUPPORT** page, and fill in the requested details to access help tools and information.

You can contact Dell electronically using the following addresses:

- 1 World Wide Web

www.dell.com/

www.dell.com/ap/ (Asian/Pacific countries only)

www.dell.com/jp (Japan only)

www.euro.dell.com (Europe only)

www.dell.com/la/ (Latin American and Caribbean countries)

www.dell.ca (Canada only)

- 1 Anonymous file transfer protocol (FTP)

[ftp.dell.com/](ftp://ftp.dell.com/)

Log in as user: `anonymous`, and use your e-mail address as your password.

- 1 Electronic Support Service

mobile_support@us.dell.com

support@us.dell.com

la-techsupport@dell.com (Latin America and Caribbean countries only)

apsupport@dell.com (Asian/Pacific countries only)

support.jp.dell.com (Japan only)

support.euro.dell.com (Europe only)

1 Electronic Quote Service

apmarketing@dell.com (Asian/Pacific countries only)

sales_canada@dell.com (Canada only)

AutoTech Service

Dell's automated support service—AutoTech—provides recorded answers to the questions most frequently asked by Dell customers about their portable and desktop computers.

When you call AutoTech, use your touch-tone telephone to select the subjects that correspond to your questions.

The AutoTech service is available 24 hours a day, 7 days a week. You can also access this service through the support service. For the telephone number to call for your region, see [Contacting Dell](#).

Automated Order-Status Service

To check on the status of any Dell™ products that you have ordered, you can go to **support.dell.com**, or you can call the automated order-status service. A recording prompts you for the information needed to locate and report on your order. For the telephone number to call for your region, see [Contacting Dell](#).

Support Service

Dell's support service is available 24 hours a day, 7 days a week, to answer your questions about Dell hardware. Our support staff uses computer-based diagnostics to provide fast, accurate answers.

To contact Dell's support service, see [Getting Help](#) and then call the number for your country as listed in [Contacting Dell](#).

Problems With Your Order

If you have a problem with your order, such as missing parts, wrong parts, or incorrect billing, contact Dell for customer assistance. Have your invoice or packing slip handy when you call. For the telephone number to call for your region, see [Contacting Dell](#).

Product Information

If you need information about additional products available from Dell, or if you would like to place an order, visit the Dell website at **www.dell.com**. For the telephone number to call for your region or to speak to a sales specialist, see [Contacting Dell](#).

Returning Items for Warranty Repair or Credit


Prepare all items being returned, whether for repair or credit, as follows:

1. Call Dell to obtain a Return Material Authorization Number, and write it clearly and prominently on the outside of the box.
For the telephone number to call for your region, see [Contacting Dell](#).
2. Include a copy of the invoice and a letter describing the reason for the return.
3. Include a copy of the Diagnostics Checklist (see [Diagnostics Checklist](#)), indicating the tests that you have run and any error messages reported by the Dell Diagnostics (see [Dell Diagnostics](#)).
4. Include any accessories that belong with the item(s) being returned (power cables, software floppy disks, guides, and so on) if the return is for credit.
5. Pack the equipment to be returned in the original (or equivalent) packing materials.


You are responsible for paying shipping expenses. You are also responsible for insuring any product returned, and you assume the risk of loss during shipment to Dell. Collect On Delivery (C.O.D.) packages are not accepted.

Returns that are missing any of the preceding requirements will be refused at Dell's receiving dock and returned to you.

Before You Call

 **NOTE:** Have your Express Service Code ready when you call. The code helps Dell's automated-support telephone system direct your call more efficiently. You may also be asked for your Service Tag (located on the back or bottom of your computer).

Remember to fill out the Diagnostics Checklist (see [Diagnostics Checklist](#)). If possible, turn on your computer before you call Dell for assistance and call from a telephone at or near the computer. You may be asked to type some commands at the keyboard, relay detailed information during operations, or try other troubleshooting steps possible only at the computer itself. Ensure that the computer documentation is available.

 **CAUTION:** Before working inside your computer, follow the safety instructions in your *Product Information Guide*.


Diagnostics Checklist
Name:
Date:
Address:
Phone number:
Service Tag (bar code on the back or bottom of the computer):
Express Service Code:
Return Material Authorization Number (if provided by Dell support technician):
Operating system and version:
Devices:
Expansion cards:
Are you connected to a network? Yes No
Network, version, and network adapter:
Programs and versions:
See your operating system documentation to determine the contents of the system's start-up files. If the computer is connected to a printer, print each file. Otherwise, record the contents of each file before calling Dell.
Error message, beep code, or diagnostic code:
Description of problem and troubleshooting procedures you performed:


Contacting Dell

To contact Dell electronically, you can access the following websites:


- 1 www.dell.com
- 1 support.dell.com (support)

For specific web addresses for your country, find the appropriate country section in the table below.

 **NOTE:** Toll-free numbers are for use within the country for which they are listed.

 **NOTE:** In certain countries, support specific to Dell™ XPS™ computers is available at a separate telephone number listed for participating countries. If you do not see a telephone number listed that is specific for XPS computers, you may contact Dell through the support number listed and your call will be routed appropriately.

When you need to contact Dell, use the electronic addresses, telephone numbers, and codes provided in the following table. If you need assistance in determining which codes to use, contact a local or an international operator.

 **NOTE:** The contact information provided was deemed correct at the time that this document went to print and is subject to change.

Country (City) International Access Code Country Code City Code	Department Name or Service Area, Website and E-Mail Address	Area Codes, Local Numbers, and Toll-Free Numbers
Anguilla	E-mail: la-techsupport@dell.com General Support	toll-free: 800-335-0031
Antigua and Barbuda	General Support	1-800-805-5924
Argentina (Buenos Aires)		
International Access Code: 00	Website: www.dell.com.ar	

Country Code: 54	E-mail: la-techsupport@dell.com	
City Code: 11		
	E-mail: us_latin_services@dell.com	
	E-mail for desktop and portable computers: la-techsupport@dell.com	
	E-mail for servers and EMC@ storage products: la_enterprise@dell.com	
	Customer Care	toll-free: 0-800-444-0730
	Technical Support	toll-free: 0-800-444-0733
	Technical Support Services	toll-free: 0-800-444-0724
	Sales	0-810-444-3355
Aruba	General Support	toll-free: 800-1578
Australia (Sydney)	Website: support.ap.dell.com	
International Access Code: 0011		
	E-mail: support.ap.dell.com/contactus	
Country Code: 61		
City Code: 2	General Support	13DELL-133355
	Website: support.euro.dell.com	
	E-mail: tech_support_central_europe@dell.com	
Austria (Vienna)	Home/Small Business Sales	0820 240 530 00
International Access Code: 900	Home/Small Business Fax	0820 240 530 49
	Home/Small Business Customer Care	0820 240 530 14
Country Code: 43	Preferred Accounts/Corporate Customer Care	0820 240 530 16
	Support for XPS	0820 240 530 81
City Code: 1	Home/Small Business Support for all other Dell computers	0820 240 530 17
	Preferred Accounts/Corporate Support	0660 8779
	Switchboard	0820 240 530 00
Bahamas	General Support	toll-free: 1-866-278-6818
Barbados	General Support	1-800-534-3066
	Website: support.euro.dell.com	
Belgium (Brussels)	Tech Support for XPS	02 481 92 96
International Access Code: 00	Tech Support for all other Dell computers	02 481 92 88
Country Code: 32	Tech Support Fax	02 481 92 95
	Customer Care	02 713 15 65
City Code: 2	Corporate Sales	02 481 91 00
	Fax	02 481 92 99
	Switchboard	02 481 91 00
Bermuda	General Support	1-800-342-0671
Bolivia	General Support	toll-free: 800-10-0238
	Website: www.dell.com/br	
Brazil	Customer Support, Tech Support	0800 90 3355
International Access Code: 00		
Country Code: 55	Technical Support Fax	51 481 5470
	Customer Care Fax	51 481 5480
City Code: 51	Sales	0800 90 3390
British Virgin Islands	General Support	toll-free: 1-866-278-6820
Brunei	Technical Support (Penang, Malaysia)	604 633 4966
Country Code: 673	Customer Care (Penang, Malaysia)	604 633 4888
	Transaction Sales (Penang, Malaysia)	604 633 4955
	Online Order Status: www.dell.ca/ostatus	
Canada (North York, Ontario)	AutoTech (automated Hardware and Warranty Support)	toll-free: 1-800-247-9362
International Access Code: 011	Customer Service (Home Sales/Small Business)	toll-free: 1-800-847-4096
	Customer Service (med./large business, government)	toll-free: 1-800-326-9463
	Customer Service (printers, projectors, televisions, handhelds, digital jukebox, and wireless)	toll-free: 1-800-847-4096
	Hardware Warranty Support (Home Sales/Small Business)	toll-free: 1-800-906-3355
	Hardware Warranty Support (med./large bus., government)	toll-free: 1-800-387-5757
	Hardware Warranty Support (printers, projectors, televisions, handhelds, digital jukebox, and wireless)	1-877-335-5767

	Sales (Home Sales/Small Business)	toll-free: 1-800-387-5752
	Sales (med./large bus., government)	toll-free: 1-800-387-5755
	Spare Parts Sales & Extended Service Sales	1 866 440 3355
Cayman Islands	General Support	1-800-805-7541
Chile (Santiago)		
Country Code: 56	Sales and Customer Support	toll-free: 1230-020-4823
City Code: 2		
	Technical Support website: support.dell.com.cn	
	Technical Support E-mail: cn_support@dell.com	
	Customer Care E-mail: customer_cn@dell.com	
	Technical Support Fax	592 818 1350
	Technical Support (Dell™ Dimension™ and Inspiron)	toll-free: 800 858 2968
	Technical Support (OptiPlex™, Latitude™, and Dell Precision™)	toll-free: 800 858 0950
	Technical Support (servers and storage)	toll-free: 800 858 0960
	Technical Support (projectors, PDAs, switches, routers, and so on)	toll-free: 800 858 2920
	Technical Support (printers)	toll-free: 800 858 2311
China (Xiamen)	Customer Care	toll-free: 800 858 2060
Country Code: 86	Customer Care Fax	592 818 1308
City Code: 592	Home and Small Business	toll-free: 800 858 2222
	Preferred Accounts Division	toll-free: 800 858 2557
	Large Corporate Accounts GCP	toll-free: 800 858 2055
	Large Corporate Accounts Key Accounts	toll-free: 800 858 2628
	Large Corporate Accounts North	toll-free: 800 858 2999
	Large Corporate Accounts North Government and Education	toll-free: 800 858 2955
	Large Corporate Accounts East	toll-free: 800 858 2020
	Large Corporate Accounts East Government and Education	toll-free: 800 858 2669
	Large Corporate Accounts Queue Team	toll-free: 800 858 2572
	Large Corporate Accounts South	toll-free: 800 858 2355
	Large Corporate Accounts West	toll-free: 800 858 2811
	Large Corporate Accounts Spare Parts	toll-free: 800 858 2621
Colombia	General Support	980-9-15-3978
Costa Rica	General Support	0800-012-0435
	Website: support.euro.dell.com	
Czech Republic (Prague)	E-mail: czech_dell@dell.com	
International Access Code: 00	Technical Support	22537 2727
Country Code: 420	Customer Care	22537 2707
	Fax	22537 2714
	Technical Fax	22537 2728
	Switchboard	22537 2711
	Website: support.euro.dell.com	
	Technical Support for XPS	7010 0074
Denmark (Copenhagen)	Technical Support for all other Dell computers	7023 0182
International Access Code: 00	Customer Care (Relational)	7023 0184
Country Code: 45	Home/Small Business Customer Care	3287 5505
	Switchboard (Relational)	3287 1200
	Switchboard Fax (Relational)	3287 1201
	Switchboard (Home/Small Business)	3287 5000
	Switchboard Fax (Home/Small Business)	3287 5001
Dominica	General Support	toll-free: 1-866-278-6821
Dominican Republic	General Support	1-800-148-0530
Ecuador	General Support	toll-free: 999-119
El Salvador	General Support	01-899-753-0777
	Website: support.euro.dell.com	
Finland (Helsinki)	E-mail: fi_support@dell.com	
International Access Code: 990	Technical Support	0207 533 555
	Customer Care	0207 533 538
	Switchboard	0207 533 533

Country Code: 358	Sales under 500 employees	0207 533 540	
City Code: 9	Fax	0207 533 530	
	Sales over 500 employees	0207 533 533	
	Fax	0207 533 530	
France (Paris) (Montpellier)	Website: support.euro.dell.com		
	Home and Small Business		
	Technical Support for XPS	0825 387 129	
	Technical Support for all other Dell computers	0825 387 270	
	Customer Care	0825 823 833	
	Switchboard	0825 004 700	
	Switchboard (calls from outside of France)	04 99 75 40 00	
	International Access Code: 00	Sales	0825 004 700
	Country Code: 33	Fax	0825 004 701
		Fax (calls from outside of France)	04 99 75 40 01
	City Codes: (1) (4)	Corporate	
		Technical Support	0825 004 719
		Customer Care	0825 338 339
		Switchboard	01 55 94 71 00
Sales		01 55 94 71 00	
Fax		01 55 94 71 01	
Germany (Langen)	Website: support.euro.dell.com		
	E-mail: tech_support_central_europe@dell.com		
	Technical Support for XPS	069 9792 7222	
	Technical Support for all other Dell computers	069 9792-7200	
	International Access Code: 00	Home/Small Business Customer Care	0180-5-224400
	Country Code: 49	Global Segment Customer Care	06103 766-9570
		Preferred Accounts Customer Care	06103 766-9420
	City Code: 6103	Large Accounts Customer Care	06103 766-9560
		Public Accounts Customer Care	06103 766-9555
		Switchboard	06103 766-7000
Greece	Website: support.euro.dell.com		
	Technical Support	00800-44 14 95 18	
	Gold Service Technical Support	00800-44 14 00 83	
	International Access Code: 00	Switchboard	2108129810
	Country Code: 30	Gold Service Switchboard	2108129811
		Sales	2108129800
		Fax	2108129812
Grenada	General Support	toll-free: 1-866-540-3355	
Guatemala	General Support	1-800-999-0136	
Guyana	General Support	toll-free: 1-877-270-4609	
Hong Kong	Website: support.ap.dell.com		
	Technical Support E-mail: HK_support@Dell.com		
	Technical Support (Dimension and Inspiron)	2969 3188	
	Technical Support (OptiPlex, Latitude, and Dell Precision)	2969 3191	
	Technical Support (PowerApp™, PowerEdge™, PowerConnect™, and PowerVault™)	2969 3196	
	International Access Code: 001	Customer Care	3416 0910
	Country Code: 852	Large Corporate Accounts	3416 0907
		Global Customer Programs	3416 0908
		Medium Business Division	3416 0912
		Home and Small Business Division	2969 3105
India	E-mail: india_support_desktop@dell.com india_support_notebook@dell.com india_support_Server@dell.com		
	Technical Support	1600338045 and 1600448046	
	Sales (Large Corporate Accounts)	1600 33 8044	
	Sales (Home and Small Business)	1600 33 8046	
	Website: support.euro.dell.com		
	E-mail: dell_direct_support@dell.com		

	Sales	
	Ireland Sales	01 204 4444
	Dell Outlet	1850 200 778
	Online Ordering HelpDesk	1850 200 778
	Customer Care	
	Home User Customer Care	01 204 4014
	Small Business Customer Care	01 204 4014
	Corporate Customer Care	1850 200 982
	Technical Support	
	Technical Support for XPS	1850 200 722
	Technical Support for all other Dell computers	1850 543 543
	At-Home-Service — Technical Support Queries	1850 200 889
	General	
	Fax/Sales Fax	01 204 0103
	Switchboard	01 204 4444
	U.K. Technical Support (dial within U.K. only)	0870 353 0800
	U.K. Customer Care (dial within U.K. only)	0870 353 0202
	Corporate Customer Care (dial within U.K. only)	0870 353 0240
	U.K. Sales (dial within U.K. only)	0870 353 4000
Ireland (Cherrywood)		
International Access Code: 00		
Country Code: 353		
City Code: 1		
	Website: support.euro.dell.com	
	Home and Small Business	
	Technical Support	02 577 826 90
	Customer Care	02 696 821 14
	Fax	02 696 821 13
	Switchboard	02 696 821 12
	Corporate	
	Technical Support	02 577 826 90
	Customer Care	02 577 825 55
	Fax	02 575 035 30
	Switchboard	02 577 821
Jamaica	General Support (dial from within Jamaica only)	1-800-682-3639
	Website: support.jp.dell.com	
	Technical Support (servers)	toll-free: 0120-198-498
	Technical Support outside of Japan (servers)	81-44-556-4162
	Technical Support (Dimension and Inspiron)	toll-free: 0120-198-226
	Technical Support outside of Japan (Dimension and Inspiron)	81-44-520-1435
	Technical Support (Dell Precision, OptiPlex, and Latitude)	toll-free: 0120-198-433
	Technical Support outside of Japan (Dell Precision, OptiPlex, and Latitude)	81-44-556-3894
	Technical Support (PDAs, projectors, printers, routers)	toll-free: 0120-981-690
	Technical Support outside of Japan (PDAs, projectors, printers, routers)	81-44-556-3468
	Faxbox Service	044-556-3490
	24-Hour Automated Order Status Service	044-556-3801
	Customer Care	044-556-4240
	Business Sales Division (up to 400 employees)	044-556-1465
	Preferred Accounts Division Sales (over 400 employees)	044-556-3433
	Public Sales (government agencies, educational institutions, and medical institutions)	044-556-5963
	Global Segment Japan	044-556-3469
	Individual User	044-556-1760
	Switchboard	044-556-4300
Japan (Kawasaki)		
International Access Code: 001		
Country Code: 81		
City Code: 44		
	E-mail: krsupport@dell.com	
	Support	toll-free: 080-200-3800
	Support (Dimension, PDA, Electronics and Accessories)	toll-free: 080-200-3801
	Sales	toll-free: 080-200-3600
	Fax	2194-6202
	Switchboard	2194-6000
Korea (Seoul)		
International Access Code: 001		
Country Code: 82		
City Code: 2		
	Customer Technical Support (Austin, Texas, U.S.A.)	512 728-4093
	Customer Service (Austin, Texas, U.S.A.)	512 728-3619
	Fax (Technical Support and Customer Service) (Austin, Texas, U.S.A.)	512 728-3883

Latin America	Sales (Austin, Texas, U.S.A.)	512 728-4397
	SalesFax (Austin, Texas, U.S.A.)	512 728-4600 or 512 728-3772
Luxembourg International Access Code: 00 Country Code: 352	Website: support.euro.dell.com	
	Support	342 08 08 075
	Home/Small Business Sales	+32 (0)2 713 15 96
	Corporate Sales	26 25 77 81
	Customer Care	+32 (0)2 481 91 19
	Fax	26 25 77 82
Macao Country Code: 853	Technical Support	toll-free: 0800 105
	Customer Service (Xiamen, China)	34 160 910
	Transaction Sales (Xiamen, China)	29 693 115
Malaysia (Penang) International Access Code: 00 Country Code: 60 City Code: 4	Website: support.ap.dell.com	
	Technical Support (Dell Precision, OptiPlex, and Latitude)	toll-free: 1 800 880 193
	Technical Support (Dimension, Inspiron, and Electronics and Accessories)	toll-free: 1 800 881 306
	Technical Support (PowerApp, PowerEdge, PowerConnect, and PowerVault)	toll-free: 1800 881 386
	Customer Care	toll-free: 1800 881 306 (option 6)
	Transaction Sales	toll-free: 1 800 888 202
	Corporate Sales	toll-free: 1 800 888 213
Mexico International Access Code: 00 Country Code: 52	Customer Technical Support	001-877-384-8979 or 001-877-269-3383
	Sales	50-81-8800 or 01-800-888-3355
	Customer Service	001-877-384-8979 or 001-877-269-3383
	Main	50-81-8800 or 01-800-888-3355
Montserrat	General Support	toll-free: 1-866-278-6822
Netherlands Antilles	General Support	001-800-882-1519
Netherlands (Amsterdam) International Access Code: 00 Country Code: 31 City Code: 20	Website: support.euro.dell.com	
	Technical Support for XPS	020 674 45 94
	Technical Support for all other Dell computers	020 674 45 00
	Technical Support Fax	020 674 47 66
	Home/Small Business Customer Care	020 674 42 00
	Relational Customer Care	020 674 4325
	Home/Small Business Sales	020 674 55 00
	Relational Sales	020 674 50 00
	Home/Small Business Sales Fax	020 674 47 75
	Relational Sales Fax	020 674 47 50
	Switchboard	020 674 50 00
Switchboard Fax	020 674 47 50	
New Zealand International Access Code: 00 Country Code: 64	Website: support.ap.dell.com	
	E-mail: support.ap.dell.com/contactus	
	General Support	0800 441 567
Nicaragua	General Support	001-800-220-1006
Norway (Lysaker) International Access Code: 00 Country Code: 47	Website: support.euro.dell.com	
	Technical Support for XPS	815 35 043
	Technical Support for all other Dell products	671 16882
	Relational Customer Care	671 17575
	Home/Small Business Customer Care	23162298
	Switchboard	671 16800
	Fax Switchboard	671 16865
Panama	General Support	001-800-507-0962
Peru	General Support	0800-50-669
Poland (Warsaw)	Website: support.euro.dell.com	
	E-mail: pl_support_tech@dell.com	

International Access Code: 011 Country Code: 48 City Code: 22	Customer Service Phone	57 95 700
	Customer Care	57 95 999
	Sales	57 95 999
	Customer Service Fax	57 95 806
	Reception Desk Fax	57 95 998
	Switchboard	57 95 999
Portugal	Website: support.euro.dell.com	
International Access Code: 00 Country Code: 351	Technical Support	707200149
	Customer Care	800 300 413
	Sales	800 300 410 or 800 300 411 or 800 300 412 or 21 422 07 10
	Fax	21 424 01 12
Puerto Rico	General Support	1-800-805-7545
St. Kitts and Nevis	General Support	toll-free: 1-877-441-4731
St. Lucia	General Support	1-800-882-1521
St. Vincent and the Grenadines	General Support	toll-free: 1-877-270-4609
Singapore (Singapore) International Access Code: 005 Country Code: 65	NOTE: The phone numbers in this section should be called from within Singapore or Malaysia only.	
	Website: support.ap.dell.com	
	Technical Support (Dimension, Inspiron, and Electronics and Accessories)	toll-free: 1 800 394 7430
	Technical Support (OptiPlex, Latitude, and Dell Precision)	toll-free: 1 800 394 7488
	Technical Support (PowerApp, PowerEdge, PowerConnect, and PowerVault)	toll-free: 1 800 394 7478
	Customer Care	toll-free: 1 800 394 7430 (option 6)
	Transaction Sales	toll-free: 1 800 394 7412
	Corporate Sales	toll-free: 1 800 394 7419
Slovakia (Prague) International Access Code: 00 Country Code: 421	Website: support.euro.dell.com	
	E-mail: czech_dell@dell.com	
	Technical Support	02 5441 5727
	Customer Care	420 22537 2707
	Fax	02 5441 8328
	Tech Fax	02 5441 8328
	Switchboard (Sales)	02 5441 7585
South Africa (Johannesburg) International Access Code: 09/091 Country Code: 27 City Code: 11	Website: support.euro.dell.com	
	E-mail: dell_za_support@dell.com	
	Gold Queue	011 709 7713
	Technical Support	011 709 7710
	Customer Care	011 709 7707
	Sales	011 709 7700
	Fax	011 706 0495
	Switchboard	011 709 7700
Southeast Asian and Pacific Countries	Technical Support, Customer Service, and Sales (Penang, Malaysia)	604 633 4810
Spain (Madrid) International Access Code: 00 Country Code: 34 City Code: 91	Website: support.euro.dell.com	
	Home and Small Business	
	Technical Support	902 100 130
	Customer Care	902 118 540
	Sales	902 118 541
	Switchboard	902 118 541
	Fax	902 118 539
	Corporate	
	Technical Support	902 100 130
	Customer Care	902 115 236
	Switchboard	91 722 92 00
Fax	91 722 95 83	
Sweden (Upplands Vasby)	Website: support.euro.dell.com	
	Technical Support for XPS	0771 340 340
	Technical Support for all other Dell products	08 590 05 199

International Access Code: 00	Relational Customer Care	08 590 05 642	
Country Code: 46	Home/Small Business Customer Care	08 587 70 527	
City Code: 8	Employee Purchase Program (EPP) Support	020 140 14 44	
	Technical Support Fax	08 590 05 594	
	Sales	08 590 05 185	
Switzerland (Geneva)	Website: support.euro.dell.com		
	E-mail: Tech_support_central_Europe@dell.com		
International Access Code: 00	Technical Support for XPS	0848 33 88 57	
	Technical Support (Home and Small Business) for all other Dell products	0844 811 411	
Country Code: 41	Technical Support (Corporate)	0844 822 844	
	Customer Care (Home and Small Business)	0848 802 202	
City Code: 22	Customer Care (Corporate)	0848 821 721	
	Fax	022 799 01 90	
	Switchboard	022 799 01 01	
Taiwan	Website: support.ap.dell.com		
	E-mail: ap_support@dell.com		
International Access Code: 002	Technical Support (OptiPlex, Latitude, Inspiron, Dimension, and Electronics and Accessories)	toll-free: 00801 86 1011	
	Technical Support (PowerApp, PowerEdge, PowerConnect, and PowerVault)	toll-free: 00801 60 1256	
Country Code: 886	Customer Care	toll-free: 00801 60 1250 (option 5)	
	Transaction Sales	toll-free: 00801 65 1228	
	Corporate Sales	toll-free: 00801 651 227	
Thailand	Website: support.ap.dell.com		
	Technical Support (OptiPlex, Latitude, and Dell Precision)	toll-free: 1800 0060 07	
International Access Code: 001	Technical Support (PowerApp, PowerEdge, PowerConnect, and PowerVault)	toll-free: 1800 0600 09	
	Customer Care	toll-free: 1800 006 007 (option 7)	
Country Code: 66	Corporate Sales	toll-free: 1800 006 009	
	Transaction Sales	toll-free: 1800 006 006	
Trinidad/Tobago	General Support	1-800-805-8035	
Turks and Caicos Islands	General Support	toll-free: 1-866-540-3355	
U.K. (Bracknell)	Website: support.euro.dell.com		
	E-mail: dell_direct_support@dell.com		
	Customer Care website: support.euro.dell.com/uk/en/ECare/form/home.asp		
	Sales		
	Home and Small Business Sales	0870 907 4000	
	Corporate/Public Sector Sales	01344 860 456	
	Customer Care		
	Home and Small Business Customer Care	0870 906 0010	
	Corporate Customer Care	01344 373 185	
	International Access Code: 00	Preferred Accounts (500-5000 employees) Customer Care	0870 906 0010
	Country Code: 44	Global Accounts Customer Care	01344 373 186
		Central Government Customer Care	01344 373 193
		Local Government & Education Customer Care	01344 373 199
	City Code: 1344	Health Customer Care	01344 373 194
		Technical Support	
		Technical Support for XPS	0870 366 4180
		Technical Support (Corporate/Preferred Accounts/PAD [1000+ employees])	0870 908 0500
		General	
		Technical Support for all other products	0870 908 0800
		Home and Small Business Fax	0870 907 4006
Uruguay	General Support	toll-free: 000-413-598-2521	
	Automated Order-Status Service	toll-free: 1-800-433-9014	
	AutoTech (portable and desktop computers)	toll-free: 1-800-247-9362	
	Hardware and Warranty Support (Dell TV, Printers, and Projectors) for Relationship customers	toll-free: 1-877-459-7298	
	Americas Consumer XPS Support	toll-free: 1-800-232-8544	
	Consumer (Home and Home Office) Support for all other Dell products	toll-free: 1-800-624-9896	
	Customer Service	toll-free: 1-800-624-9897	

U.S.A. (Austin, Texas) International Access Code: 011 Country Code: 1	Employee Purchase Program (EPP) Customers	toll-free: 1-800-695-8133	
	Financial Services website: www.dellfinancialservices.com		
	Financial Services (lease/loans)	toll-free: 1-877-577-3355	
	Financial Services (Dell Preferred Accounts [DPA])	toll-free: 1-800-283-2210	
	Business		
	Customer Service and Support	toll-free: 1-800-456-3355	
	Employee Purchase Program (EPP) Customers	toll-free: 1-800-695-8133	
	Support for printers, projectors, PDAs, and MP3 players	toll-free: 1-877-459-7298	
	Public (government, education, and healthcare)		
	Customer Service and Support	toll-free: 1-800-456-3355	
	Employee Purchase Program (EPP) Customers	toll-free: 1-800-695-8133	
	Dell Sales	toll-free: 1-800-289-3355 or toll-free: 1-800-879-3355	
	Dell Outlet Store (Dell refurbished computers)	toll-free: 1-888-798-7561	
	Software and Peripherals Sales	toll-free: 1-800-671-3355	
	Spare Parts Sales	toll-free: 1-800-357-3355	
	Extended Service and Warranty Sales	toll-free: 1-800-247-4618	
	Fax	toll-free: 1-800-727-8320	
	Dell Services for the Deaf, Hard-of-Hearing, or Speech-Impaired	toll-free: 1-877-DELLTTY (1-877-335-5889)	
	U.S. Virgin Islands	General Support	1-877-673-3355
	Venezuela	General Support	8001-3605

[Back to Contents Page](#)

[Back to Contents Page](#)

Glossary

Dell™ OptiPlex™ 745 User's Guide

[A](#) [B](#) [C](#) [D](#) [E](#) [F](#) [G](#) [H](#) [I](#) [K](#) [L](#) [M](#) [N](#) [O](#) [P](#) [R](#) [S](#) [T](#) [U](#) [V](#) [W](#) [X](#) [Z](#)

Terms in this Glossary are provided for informational purposes only and may or may not describe features included with your particular computer.

A

AC — alternating current — The form of electricity that powers your computer when you plug the AC adapter power cable in to an electrical outlet.

ACPI — advanced configuration and power interface — A power management specification that enables Microsoft® Windows® operating systems to put a computer in standby or hibernate mode to conserve the amount of electrical power allocated to each device attached to the computer.

AGP — accelerated graphics port — A dedicated graphics port that allows system memory to be used for video-related tasks. AGP delivers a smooth, true-color video image because of the faster interface between the video circuitry and the computer memory.

AHCI — Advanced Host Controller Interface — An interface for a SATA hard drive Host Controller which allows the storage driver to enable technologies such as Native Command Queuing (NCQ) and hot plug.

ALS — ambient light sensor — A feature that helps to control display brightness.

antivirus software — A program designed to identify, quarantine, and/or delete viruses from your computer.

ASF — alert standards format — A standard to define a mechanism for reporting hardware and software alerts to a management console. ASF is designed to be platform- and operating system-independent.

B

battery life span — The length of time (years) during which a portable computer battery is able to be depleted and recharged.

battery operating time — The length of time (minutes or hours) that a portable computer battery powers the computer.

BIOS — basic input/output system — A program (or utility) that serves as an interface between the computer hardware and the operating system. Unless you understand what effect these settings have on the computer, do not change them. Also referred to as *system setup*.

bit — The smallest unit of data interpreted by your computer.

Bluetooth® wireless technology — A wireless technology standard for short-range (9 m [29 feet]) networking devices that allows for enabled devices to automatically recognize each other.

boot sequence — Specifies the order of the devices from which the computer attempts to boot.

bootable CD — A CD that you can use to start your computer. In case your hard drive is damaged or your computer has a virus, ensure that you always have a bootable CD or floppy disk available. Your *Drivers and Utilities* (or *ResourceCD*) is a bootable CD.

bootable disk — A disk that you can use to start your computer. In case your hard drive is damaged or your computer has a virus, ensure that you always have a bootable CD or floppy disk available.

bps — bits per second — The standard unit for measuring data transmission speed.

BTU — British thermal unit — A measurement of heat output.

bus — A communication pathway between the components in your computer.

bus speed — The speed, given in MHz, that indicates how fast a bus can transfer information.

byte — The basic data unit used by your computer. A byte is usually equal to 8 bits.

C

C — Celsius — A temperature measurement scale where 0° is the freezing point and 100° is the boiling point of water.

cache — A special high-speed storage mechanism which can be either a reserved section of main memory or an independent high-speed storage device. The cache enhances the efficiency of many processor operations.

L1 cache — Primary cache stored inside the processor.

L2 cache — Secondary cache which can either be external to the processor or incorporated into the processor architecture.

carnet — An international customs document that facilitates temporary imports into foreign countries. Also known as a *merchandise passport*.

CD-R — CD recordable — A recordable version of a CD. Data can be recorded only once onto a CD-R. Once recorded, the data cannot be erased or written over.

CD-RW — CD rewritable — A rewritable version of a CD. Data can be written to a CD-RW disc, and then erased and written over (rewritten).

CD-RW drive — A drive that can read CDs and write to CD-RW (rewritable CDs) and CD-R (recordable CDs) discs. You can write to CD-RW discs multiple times, but you can write to CD-R discs only once.

CD-RW/DVD drive — A drive, sometimes referred to as a combo drive, that can read CDs and DVDs and write to CD-RW (rewritable CDs) and CD-R (recordable CDs) discs. You can write to CD-RW discs multiple times, but you can write to CD-R discs only once.

clock speed — The speed, given in MHz, that indicates how fast computer components that are connected to the system bus operate.

COA — Certificate of Authenticity — The Windows alpha-numeric code located on a sticker on your computer. Also referred to as the *Product Key* or *Product ID*.

Control Panel — A Windows utility that allows you to modify operating system and hardware settings, such as display settings.

controller — A chip that controls the transfer of data between the processor and memory or between the processor and devices.

CRIMM — continuity rambus in-line memory module — A special module that has no memory chips and is used to fill unused RIMM slots.

cursor — The marker on a display or screen that shows where the next keyboard, touch pad, or mouse action will occur. It often is a blinking solid line, an underline character, or a small arrow.

D

DDR SDRAM — double-data-rate SDRAM — A type of SDRAM that doubles the data burst cycle, improving system performance.

DDR2 SDRAM — double-data-rate 2 SDRAM — A type of DDR SDRAM that uses a 4-bit prefetch and other architectural changes to boost memory speed to over 400 MHz.

device — Hardware such as a disk drive, printer, or keyboard that is installed in or connected to your computer.

device driver — See *driver*.

DIMM — dual in-line memory module — A circuit board with memory chips that connects to a memory module on the system board.

DIN connector — A round, six-pin connector that conforms to DIN (Deutsche Industrie-Norm) standards; it is typically used to connect PS/2 keyboard or mouse cable connectors.

disk striping — A technique for spreading data over multiple disk drives. Disk striping can speed up operations that retrieve data from disk storage. Computers that use disk striping generally allow the user to select the data unit size or stripe width.

DMA — direct memory access — A channel that allows certain types of data transfer between RAM and a device to bypass the processor.

docking device — See *APR*.

DMTF — Distributed Management Task Force — A consortium of hardware and software companies who develop management standards for distributed desktop, network, enterprise, and Internet environments.

domain — A group of computers, programs, and devices on a network that are administered as a unit with common rules and procedures for use by a specific group of users. A user logs on to the domain to gain access to the resources.

DRAM — dynamic random-access memory — Memory that stores information in integrated circuits containing capacitors.

driver — Software that allows the operating system to control a device such as a printer. Many devices do not work properly if the correct driver is not installed in the computer.

DSL — Digital Subscriber Line — A technology that provides a constant, high-speed Internet connection through an analog telephone line.

dual-core — An Intel® technology in which two physical computational units exist inside a single processor package, thereby increasing computing efficiency and multi-tasking ability.

dual display mode — A display setting that allows you to use a second monitor as an extension of your display. Also referred to as *extended display mode*.

DVD-R — DVD recordable — A recordable version of a DVD. Data can be recorded only once onto a DVD-R. Once recorded, the data cannot be erased or written over.

DVD+RW — DVD rewritable — A rewritable version of a DVD. Data can be written to a DVD+RW disc, and then erased and written over (rewritten). (DVD+RW technology is different from DVD-RW technology.)

DVD+RW drive — drive that can read DVDs and most CD media and write to DVD+RW (rewritable DVDs) discs.

DVI — digital video interface — A standard for digital transmission between a computer and a digital video display.

E

ECC — error checking and correction — A type of memory that includes special circuitry for testing the accuracy of data as it passes in and out of memory.

ECP — extended capabilities port — A parallel connector design that provides improved bidirectional data transmission. Similar to EPP, ECP uses direct memory

access to transfer data and often improves performance.

EIDE — enhanced integrated device electronics — An improved version of the IDE interface for hard drives and CD drives.

EMI — electromagnetic interference — Electrical interference caused by electromagnetic radiation.

ENERGY STAR® — Environmental Protection Agency requirements that decrease the overall consumption of electricity.

EPP — enhanced parallel port — A parallel connector design that provides bidirectional data transmission.

ESD — electrostatic discharge — A rapid discharge of static electricity. ESD can damage integrated circuits found in computer and communications equipment.

expansion card — A circuit board that installs in an expansion slot on the system board in some computers, expanding the capabilities of the computer. Examples include video, modem, and sound cards.

expansion slot — A connector on the system board (in some computers) where you insert an expansion card, connecting it to the system bus.

ExpressCard — A removable I/O card adhering to the PCMCIA standard. Modems and network adapters are common types of ExpressCards. ExpressCards support both the PCI Express and USB 2.0 standard.

Express Service Code — A numeric code located on a sticker on your Dell™ computer. Use the Express Service Code when contacting Dell for assistance. Express Service Code service may not be available in some countries.

extended display mode — A display setting that allows you to use a second monitor as an extension of your display. Also referred to as *dual display mode*.

extended PC Card — A PC Card that extends beyond the edge of the PC Card slot when installed.

F

Fahrenheit — A temperature measurement scale where 32° is the freezing point and 212° is the boiling point of water.

FBD — fully-buffered DIMM — A DIMM with DDR2 DRAM chips and an Advanced Memory Buffer (AMB) that speeds communication between the DDR2 SDRAM chips and the system.

FCC — Federal Communications Commission — A U.S. agency responsible for enforcing communications-related regulations that state how much radiation computers and other electronic equipment can emit.

fingerprint reader — A strip sensor that uses your unique fingerprint to authenticate your user identity to help secure your computer.

folder — A term used to describe space on a disk or drive where files are organized and grouped. Files in a folder can be viewed and ordered in various ways, such as alphabetically, by date, and by size.

format — The process that prepares a drive or disk for file storage. When a drive or disk is formatted, the existing information on it is lost.

FSB — front side bus — The data path and physical interface between the processor and RAM.

FTP — file transfer protocol — A standard Internet protocol used to exchange files between computers connected to the Internet.

G

G — gravity — A measurement of weight and force.

GB — gigabyte — A measurement of data storage that equals 1024 MB (1,073,741,824 bytes). When used to refer to hard drive storage, the term is often rounded to 1,000,000,000 bytes.

GHz — gigahertz — A measurement of frequency that equals one thousand million Hz, or one thousand MHz. The speeds for computer processors, buses, and interfaces are often measured in GHz.

graphics mode — A video mode that can be defined as x horizontal pixels by y vertical pixels by z colors. Graphics modes can display an unlimited variety of shapes and fonts.

GUI — graphical user interface — Software that interacts with the user by means of menus, windows, and icons. Most programs that operate on the Windows operating systems are GUIs.

H

hard drive — A drive that reads and writes data on a hard disk. The terms hard drive and hard disk are often used interchangeably.

heat sink — A metal plate on some processors that helps dissipate heat.

hibernate mode — A power management mode that saves everything in memory to a reserved space on the hard drive and then turns off the computer. When you restart the computer, the memory information that was saved to the hard drive is automatically restored.

HTTP — hypertext transfer protocol — A protocol for exchanging files between computers connected to the Internet.

Hyper-Threading — Hyper-Threading is an Intel technology that can enhance overall computer performance by allowing one physical processor to function as two logical processors, capable of performing certain tasks simultaneously.

Hz — hertz — A unit of frequency measurement that equals 1 cycle per second. Computers and electronic devices are often measured in kilohertz (kHz), megahertz (MHz), gigahertz (GHz), or terahertz (THz).

I

IC — integrated circuit — A semiconductor wafer, or chip, on which thousands or millions of tiny electronic components are fabricated for use in computer, audio, and video equipment.

IDE — integrated device electronics — An interface for mass storage devices in which the controller is integrated into the hard drive or CD drive.

IEEE 1394 — Institute of Electrical and Electronics Engineers, Inc. — A high-performance serial bus used to connect IEEE 1394-compatible devices, such as digital cameras and DVD players, to the computer.

infrared sensor — A port that allows you to transfer data between the computer and infrared-compatible devices without using a cable connection.

integrated — Usually refers to components that are physically located on the computer's system board. Also referred to as *built-in*.

I/O — input/output — An operation or device that enters and extracts data from your computer. Keyboards and printers are I/O devices.

I/O address — An address in RAM that is associated with a specific device (such as a serial connector, parallel connector, or expansion slot) and allows the processor to communicate with that device.

IrDA — Infrared Data Association — The organization that creates international standards for infrared communications.

IRQ — interrupt request — An electronic pathway assigned to a specific device so that the device can communicate with the processor. Each device connection must be assigned an IRQ. Although two devices can share the same IRQ assignment, you cannot operate both devices simultaneously.

ISP — Internet service provider — A company that allows you to access its host server to connect directly to the Internet, send and receive e-mail, and access websites. The ISP typically provides you with a software package, user name, and access phone numbers for a fee.

K

Kb — kilobit — A unit of data that equals 1024 bits. A measurement of the capacity of memory integrated circuits.

KB — kilobyte — A unit of data that equals 1024 bytes but is often referred to as 1000 bytes.

key combination — A command requiring you to press multiple keys at the same time.

kHz — kilohertz — A measurement of frequency that equals 1000 Hz.

L

LAN — local area network — A computer network covering a small area. A LAN usually is confined to a building or a few nearby buildings. A LAN can be connected to another LAN over any distance through telephone lines and radio waves to form a wide area network (WAN).

LCD — liquid crystal display — The technology used by portable computer and flat-panel displays.

LED — light-emitting diode — An electronic component that emits light to indicate the status of the computer.

local bus — A data bus that provides a fast throughput for devices to the processor.

LPT — line print terminal — The designation for a parallel connection to a printer or other parallel device.

M

Mb — megabit — A measurement of memory chip capacity that equals 1024 Kb.

Mbps — megabits per second — One million bits per second. This measurement is typically used for transmission speeds for networks and modems.

MB — megabyte — A measurement of data storage that equals 1,048,576 bytes. 1 MB equals 1024 KB. When used to refer to hard drive storage, the term is often rounded to 1,000,000 bytes.

MB/sec — megabytes per second — One million bytes per second. This measurement is typically used for data transfer ratings.

media bay — A bay that supports devices such as optical drives, a second battery, or a Dell TravelLite™ module.

memory — A temporary data storage area inside your computer. Because the data in memory is not permanent, it is recommended that you frequently save your files while you are working on them, and always save your files before you shut down the computer. Your computer can contain several different forms of memory, such as RAM, ROM, and video memory. Frequently, the word memory is used as a synonym for RAM.

memory address — A specific location where data is temporarily stored in RAM.

memory mapping — The process by which the computer assigns memory addresses to physical locations at start-up. Devices and software can then identify information that the processor can access.

memory module — A small circuit board containing memory chips, which connects to the system board.

MHz — megahertz — A measure of frequency that equals 1 million cycles per second. The speeds for computer processors, buses, and interfaces are often measured in MHz.

Mini PCI — A standard for integrated peripheral devices with an emphasis on communications such as modems and NICs. A Mini PCI card is a small external card that is functionally equivalent to a standard PCI expansion card.

Mini-Card — A small card designed for integrated peripherals, such as communication NICs. The Mini-Card is functionally equivalent to a standard PCI expansion card.

modem — A device that allows your computer to communicate with other computers over analog telephone lines. Three types of modems include: external, PC Card, and internal. You typically use your modem to connect to the Internet and exchange e-mail.

module bay — See *media bay*.

MP — megapixel — A measure of image resolution used for digital cameras.

ms — millisecond — A measure of time that equals one thousandth of a second. Access times of storage devices are often measured in ms.

N

network adapter — A chip that provides network capabilities. A computer may include a network adapter on its system board, or it may contain a PC Card with an adapter on it. A network adapter is also referred to as a *NIC* (network interface controller).

NIC — See *network adapter*.

notification area — The section of the Windows taskbar that contains icons for providing quick access to programs and computer functions, such as the clock, volume control, and print status. Also referred to as *system tray*.

ns — nanosecond — A measure of time that equals one billionth of a second.

NVRAM — nonvolatile random access memory — A type of memory that stores data when the computer is turned off or loses its external power source. NVRAM is used for maintaining computer configuration information such as date, time, and other system setup options that you can set.

O

optical drive — A drive that uses optical technology to read or write data from CDs, DVDs, or DVD+RWs. Example of optical drives include CD drives, DVD drives, CD-RW drives, and CD-RW/DVD combo drives.

P

parallel connector — An I/O port often used to connect a parallel printer to your computer. Also referred to as an *LPT port*.

partition — A physical storage area on a hard drive that is assigned to one or more logical storage areas known as logical drives. Each partition can contain multiple logical drives.

PC Card — A removable I/O card adhering to the PCMCIA standard. Modems and network adapters are common types of PC Cards.

PCI — peripheral component interconnect — PCI is a local bus that supports 32- and 64-bit data paths, providing a high-speed data path between the processor and devices such as video, drives, and networks.

PCI Express — A modification to the PCI interface that boosts the data transfer rate between the processor and the devices attached to it. PCI Express can transfer data at speeds from 250 MB/sec to 4 GB/sec. **If the PCI Express chip set and the device are capable of different speeds, they will operate at the slower speed.**

PCMCIA — Personal Computer Memory Card International Association — The organization that establishes standards for PC Cards.

PIO — programmed input/output — A method of transferring data between two devices through the processor as part of the data path.

pixel — A single point on a display screen. Pixels are arranged in rows and columns to create an image. A video resolution, such as 800 x 600, is expressed as the number of pixels across by the number of pixels up and down.

Plug-and-Play — The ability of the computer to automatically configure devices. Plug and Play provides automatic installation, configuration, and compatibility with existing hardware if the BIOS, operating system, and all devices are Plug and Play compliant.

POST — power-on self-test — Diagnostics programs, loaded automatically by the BIOS, that perform basic tests on the major computer components, such as memory, hard drives, and video. If no problems are detected during POST, the computer continues the start-up.

processor — A computer chip that interprets and executes program instructions. Sometimes the processor is referred to as the CPU (central processing unit).

PS/2 — personal system/2 — A type of connector for attaching a PS/2-compatible keyboard, mouse, or keypad.

PXE — pre-boot execution environment — A WfM (Wired for Management) standard that allows networked computers that do not have an operating system to be configured and started remotely.

R

RAID — redundant array of independent disks — A method of providing data redundancy. Some common implementations of RAID include RAID 0, RAID 1, RAID 5, RAID 10, and RAID 50.

RAM — random-access memory — The primary temporary storage area for program instructions and data. Any information stored in RAM is lost when you shut down your computer.

readme file — A text file included with a software package or hardware product. Typically, readme files provide installation information and describe new product enhancements or corrections that have not yet been documented.

read-only — Data and/or files you can view but cannot edit or delete. A file can have read-only status if:

- o It resides on a physically write-protected floppy disk, CD, or DVD.
- o It is located on a network in a directory and the system administrator has assigned rights only to specific individuals.

refresh rate — The frequency, measured in Hz, at which your screen's horizontal lines are recharged (sometimes also referred to as its *vertical frequency*). The higher the refresh rate, the less video flicker can be seen by the human eye.

resolution — The sharpness and clarity of an image produced by a printer or displayed on a monitor. The higher the resolution, the sharper the image.

RFI — radio frequency interference — Interference that is generated at typical radio frequencies, in the range of 10 kHz to 100,000 MHz. Radio frequencies are at the lower end of the electromagnetic frequency spectrum and are more likely to have interference than the higher frequency radiations, such as infrared and light.

ROM — read-only memory — Memory that stores data and programs that cannot be deleted or written to by the computer. ROM, unlike RAM, retains its contents after you shut down your computer. Some programs essential to the operation of your computer reside in ROM.

RPM — revolutions per minute — The number of rotations that occur per minute. Hard drive speed is often measured in rpm.

RTC — real time clock — Battery-powered clock on the system board that keeps the date and time after you shut down the computer.

RTCST — real-time clock reset — A jumper on the system board of some computers that can often be used for troubleshooting problems.

S

SAS — serial attached SCSI — A faster, serial version of the SCSI interface (as opposed to the original SCSI parallel architecture).

SATA — serial ATA — A faster, serial version of the ATA (IDE) interface.

ScanDisk — A Microsoft utility that checks files, folders, and the hard disk's surface for errors. ScanDisk often runs when you restart the computer after it has stopped responding.

SCSI — small computer system interface — A high-speed interface used to connect devices to a computer, such as hard drives, CD drives, printers, and scanners. The SCSI can connect many devices using a single controller. Each device is accessed by an individual identification number on the SCSI controller bus.

SDRAM — synchronous dynamic random-access memory — A type of DRAM that is synchronized with the optimal clock speed of the processor.

serial connector — An I/O port often used to connect devices such as a handheld digital device or digital camera to your computer.

Service Tag — A bar code label on your computer that identifies your computer when you access Dell Support at support.dell.com or when you call Dell for customer service or technical support.

setup program — A program that is used to install and configure hardware and software. The **setup.exe** or **install.exe** program comes with most Windows software packages. *Setup program* differs from *system setup*.

shortcut — An icon that provides quick access to frequently used programs, files, folders, and drives. When you place a shortcut on your Windows desktop and double-click the icon, you can open its corresponding folder or file without having to find it first. Shortcut icons do not change the location of files. If you delete a shortcut, the original file is not affected. Also, you can rename a shortcut icon.

SIM — Subscriber Identity Module — A SIM card contains a microchip that encrypts voice and data transmissions. SIM cards can be used in phones or portable computers.

smart card — A card that is embedded with a processor and a memory chip. Smart cards can be used to authenticate a user on computers equipped for smart cards.

S/PDIF — Sony/Philips Digital Interface — An audio transfer file format that allows the transfer of audio from one file to another without converting it to and from an analog format, which could degrade the quality of the file.

standby mode — A power management mode that shuts down all unnecessary computer operations to save energy.

Strike Zone™ — Reinforced area of the platform base that protects the hard drive by acting as a dampening device when a computer experiences resonating shock or is dropped (whether the computer is on or off).

surge protectors — Prevent voltage spikes, such as those that may occur during an electrical storm, from entering the computer through the electrical outlet. Surge protectors do not protect against lightning strikes or against brownouts, which occur when the voltage drops more than 20 percent below the normal AC-line voltage level.

Network connections cannot be protected by surge protectors. Always disconnect the network cable from the network connector during electrical storms.

SVGA — super-video graphics array — A video standard for video cards and controllers. Typical SVGA resolutions are 800 x 600 and 1024 x 768.

The number of colors and resolution that a program displays depends on the capabilities of the monitor, the video controller and its drivers, and the amount of video memory installed in the computer.

S-video TV-out — A connector used to attach a TV or digital audio device to the computer.

SXGA — super-extended graphics array — A video standard for video cards and controllers that supports resolutions up to 1280 x 1024.

SXGA+ — super-extended graphics array plus — A video standard for video cards and controllers that supports resolutions up to 1400 x 1050.

system board — The main circuit board in your computer. Also known as the *motherboard*.

system setup — A utility that serves as an interface between the computer hardware and the operating system. System setup allows you to configure user-selectable options in the BIOS, such as date and time or system password. Unless you understand what effect the settings have on the computer, do not change the settings for this program.

T

TAPI — telephony application programming interface — Enables Windows programs to operate with a wide variety of telephony devices, including voice, data, fax, and video.

text editor — A program used to create and edit files that contain only text; for example, Windows Notepad uses a text editor. Text editors do not usually provide word wrap or formatting functionality (the option to underline, change fonts, and so on).

TPM — trusted platform module — A hardware-based security feature that when combined with security software enhances network and computer security by enabling features such as file and e-mail protection.

travel module — A plastic device designed to fit inside the module bay of a portable computer to reduce the weight of the computer.

U

UMA — unified memory allocation — System memory dynamically allocated to video.

UPS — uninterruptible power supply — A backup power source used when the electrical power fails or drops to an unacceptable voltage level. A UPS keeps a computer running for a limited amount of time when there is no electrical power. UPS systems typically provide surge suppression and may also provide voltage regulation. Small UPS systems provide battery power for a few minutes to enable you to shut down your computer.

USB — universal serial bus — A hardware interface for a low-speed device such as a USB-compatible keyboard, mouse, joystick, scanner, set of speakers, printer, broadband devices (DSL and cable modems), imaging devices, or storage devices. Devices are plugged directly in to a 4-pin socket on your computer or in to a multi-port hub that plugs in to your computer. USB devices can be connected and disconnected while the computer is turned on, and they can also be daisy-chained together.

UTP — unshielded twisted pair — Describes a type of cable used in most telephone networks and some computer networks. Pairs of unshielded wires are twisted to protect against electromagnetic interference, rather than relying on a metal sheath around each pair of wires to protect against interference.

UXGA — ultra extended graphics array — A video standard for video cards and controllers that supports resolutions up to 1600 x 1200.

V

video controller — The circuitry on a video card or on the system board (in computers with an integrated video controller) that provides the video capabilities—in combination with the monitor—for your computer.

video memory — Memory that consists of memory chips dedicated to video functions. Video memory is usually faster than system memory. The amount of video memory installed primarily influences the number of colors that a program can display.

video mode — A mode that describes how text and graphics are displayed on a monitor. Graphics-based software, such as Windows operating systems, displays in video modes that can be defined as *x* horizontal pixels by *y* vertical pixels by *z* colors. Character-based software, such as text editors, displays in video modes that can be defined as *x* columns by *y* rows of characters.

video resolution — See *resolution*.

virus — A program that is designed to inconvenience you or to destroy data stored on your computer. A virus program moves from one computer to another through an infected disk, software downloaded from the Internet, or e-mail attachments. When an infected program starts, its embedded virus also starts.

A common type of virus is a boot virus, which is stored in the boot sectors of a floppy disk. If the floppy disk is left in the drive when the computer is shut down and then turned on, the computer is infected when it reads the boot sectors of the floppy disk expecting to find the operating system. If the computer is infected, the boot virus may replicate itself onto all the floppy disks that are read or written in that computer until the virus is eradicated.

V — volt — The measurement of electric potential or electromotive force. One V appears across a resistance of 1 ohm when a current of 1 ampere flows through that resistance.

W

W — watt — The measurement of electrical power. One W is 1 ampere of current flowing at 1 volt.

Whr — watt-hour — A unit of measure commonly used to indicate the approximate capacity of a battery. For example, a 66-Whr battery can supply 66 W of power for 1 hour or 33 W for 2 hours.

wallpaper — The background pattern or picture on the Windows desktop. Change your wallpaper through the Windows Control Panel. You can also scan in

your favorite picture and make it wallpaper.

WLAN — wireless local area network. A series of interconnected computers that communicate with each other over the air waves using access points or wireless routers to provide Internet access.

write-protected — Files or media that cannot be changed. Use write-protection when you want to protect data from being changed or destroyed. To write-protect a 3.5-inch floppy disk, slide its write-protect tab to the open position.

WWAN — wireless wide area network. A wireless high-speed data network using cellular technology and covering a much larger geographic area than WLAN.

WXGA — wide-aspect extended graphics array — A video standard for video cards and controllers that supports resolutions up to 1280 x 800.

X

XGA — extended graphics array — A video standard for video cards and controllers that supports resolutions up to 1024 x 768.

Z

ZIF — zero insertion force — A type of socket or connector that allows a computer chip to be installed or removed with no stress applied to either the chip or its socket.

Zip — A popular data compression format. Files that have been compressed with the Zip format are called Zip files and usually have a filename extension of **.zip**. A special kind of zipped file is a self-extracting file, which has a filename extension of **.exe**. You can unzip a self-extracting file by double-clicking it.

Zip drive — A high-capacity floppy drive developed by Iomega Corporation that uses 3.5-inch removable disks called Zip disks. Zip disks are slightly larger than regular floppy disks, about twice as thick, and hold up to 100 MB of data.

[Back to Contents Page](#)

[Back to Contents Page](#)

Memory

Dell™ OptiPlex™ 745 User's Guide

- [DDR2 Memory Overview](#)
- [Addressing Memory With 4-GB or Greater Configurations \(32-bit Operating Systems Only\)](#)
- [Removing Memory](#)
- [Installing Memory](#)

Your computer supports non-ECC DDR2 memory only. For more information on the type of memory supported by your computer, see the "Memory" section of the specifications for your computer:

- 1 [Mini Tower Computer Specifications](#)
- 1 [Desktop Computer Specifications](#)
- 1 [Small Form Factor Computer Specifications](#)
- 1 [Ultra Small Form Factor Computer Specifications](#)

🔗 **NOTICE:** Before you install new memory modules, download the most recent BIOS for your computer from the Dell Support website at support.dell.com.

📌 **NOTE:** Memory purchased from Dell is covered under your computer warranty.

DDR2 Memory Overview

Dual-channel DDR2 memory modules should be installed in *pairs of matched memory size*. If the DDR2 memory modules are not installed with the same amount of memory in each channel, the computer will continue to operate, but with a slight reduction in performance. See the label in the upper-right corner of the module to determine the module's capacity.



🔗 **NOTICE:** Do not install ECC memory modules. Doing so may cause the system not to boot or otherwise impact performance.

📌 **NOTE:** Always install DDR2 memory modules in the order indicated on the system board.

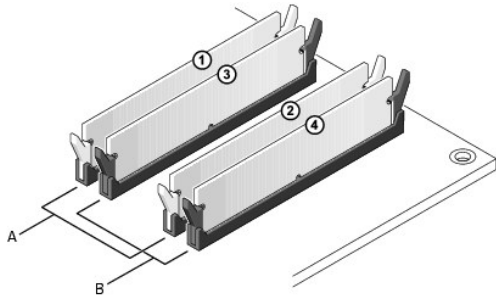
The recommended memory configurations are:

- 1 A pair of matched memory modules installed in connectors DIMM1 and DIMM2
- or
- 1 A memory module installed in connector DIMM1
- or
- 1 For the mini tower, desktop, and small form factor computers only, a pair of matched memory modules installed in connectors DIMM1 and DIMM2 and another matched pair installed in connectors DIMM3 and DIMM4

Be sure to install a single memory module in DIMM1, the connector closest to the processor, before you install modules in the other connectors.

📌 **NOTE:** The ultra small form factor computer has only two slots which are considered an interleaved pair. The mini tower, desktop, and small form factor computers have four slots.

Mini Tower, Desktop, and Small Form Factor Matched Pairs



A	matched pair of memory modules in connectors DIMM1 and DIMM2 (white securing clips)
B	matched pair of memory modules in connectors DIMM3 and DIMM4 (black securing clips).

Addressing Memory With 4-GB or Greater Configurations (32-bit Operating Systems Only)

This computer supports a maximum of 8 GB of memory. Current 32-bit operating systems, such as Microsoft® Windows® XP, can use a maximum of 4 GB of address space; however, the amount of memory available to the operating system is less than that installed. Certain components within the computer require address space in the 4-GB range. Any address space reserved for these components cannot be used by computer memory.

The following components require memory address space:

- 1 System ROM
- 1 APIC(s)
- 1 Integrated PCI devices, such as network connectors and SCSI controllers
- 1 PCI cards
- 1 Graphics card(s)
- 1 PCI Express cards (if applicable)

At start-up, the BIOS identifies the components that require address space. The BIOS dynamically calculates the amount of reserved address space required. The BIOS then subtracts the reserved address space from 4 GB to determine the amount of usable space.

- 1 If the total installed computer memory is less than the usable address space, all installed computer memory is available for use only by the operating system.
- 1 If the total installed computer memory is equal to or greater than the usable address space, a portion of installed memory is not available for use by the operating system.

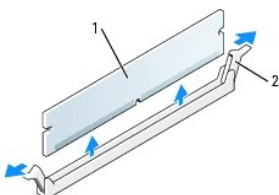
Removing Memory

⚠ CAUTION: Before you begin any of the procedures in this section, follow the safety instructions in the *Product Information Guide*.

➡ NOTICE: If you remove your original memory modules from the computer during a memory upgrade, keep them separate from any new modules that you may have, even if you purchased the new modules from Dell. If possible, *do not* pair an original memory module with a new memory module. Otherwise, your computer may not start properly. You should install your original memory modules in pairs either in connectors DIMM1 and DIMM2 or connectors DIMM3 and DIMM4.

➡ NOTICE: Removing memory modules from DIMM2 and DIMM4 on the desktop computer requires you to remove the optical drive (see [Drives](#)). Failure to do so may cause damage to the memory module and the DIMM socket.

1. Follow the procedures in [Before You Begin](#).
2. If you are using a desktop computer, remove the optical drive (see [Optical Drive](#)).
3. Carefully press out the securing clip at each end of the memory module connector.



1	memory module
2	securing clip (2)

- Remove the memory module. If you are replacing a memory module, see [Installing Memory](#).
- If you are using a desktop computer, replace the optical drive (see [Optical Drive](#)).
- Replace the computer cover (see [Replacing the Computer Cover](#)).

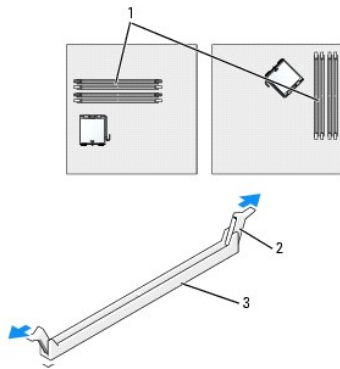
Installing Memory

⚠ CAUTION: Before you begin any of the procedures in this section, follow the safety instructions in the *Product Information Guide*.

👉 NOTICE: To prevent static damage to components inside your computer, discharge static electricity from your body before you touch any of your computer's electronic components. You can do so by touching an unpainted metal surface on the computer chassis.

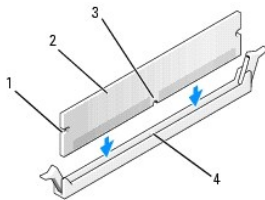
📌 NOTE: Memory purchased from Dell is covered under your computer warranty.

- Follow the procedures in [Before You Begin](#).
- If you are using a desktop computer, remove the optical drive (see [Optical Drive](#)).
- Press out the securing clip at each end of the memory module connector.



1	memory connector closest to processor
2	securing clips (2)
3	connector

- Align the notch on the bottom of the module with the crossbar in the connector.

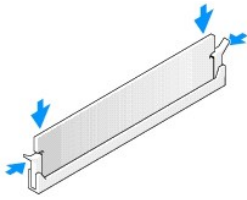


1	cutouts (2)
2	memory module
3	notch
4	crossbar

👉 NOTICE: To avoid damage to the memory module, press the module straight down into the connector while you apply equal force to each end of the module.

5. Insert the module into the connector until the module snaps into position.

If you insert the module correctly, the securing clips snap into the cutouts at each end of the module.



6. If you are using a desktop computer, replace the optical drive (see [Optical Drive](#)).
7. Replace the computer cover (see [Replacing the Computer Cover](#)).
8. The computer detects that the new memory does not match the existing configuration information and generates the following message:

```
The amount of system memory has changed.  
Strike the F1 key to continue, F2 to run the setup utility
```

9. Press <F2> to enter system setup and check the value for **System Memory**.

The computer should have changed the value of **System Memory** to reflect the newly installed memory. Verify the new total. If it is correct, skip to [step 11](#).

10. If the memory total is incorrect, turn off and disconnect your computer and devices from their electrical outlets. Open the computer cover and check the installed memory modules to ensure that they are seated properly in their sockets. Then repeat steps [7](#), [8](#), and [9](#).
11. When the **System Memory** total is correct, press <Esc> to exit system setup.
12. Run the Dell Diagnostics (see [Dell Diagnostics](#)) to verify that the memory modules are operating properly.

[Back to Contents Page](#)

Dell™ OptiPlex™ 745 User's Guide

Mini Tower Computer






About Your Computer

[Finding Information](#)
[Mini Tower Computer](#)
[Mini Tower Computer Specifications](#)
[Advanced Features](#)
[Cleaning Your Computer](#)
[Reinstalling Drivers and the Operating System](#)
[Solving Problems](#)
[Microsoft® Windows® XP Features](#)
[Troubleshooting Tools and Utilities](#)
[Getting Help](#)
[Warranty](#)
[FCC Notices \(U.S. Only\)](#)
[Glossary](#)

Removing and Replacing Parts

[Before You Begin](#)
[Removing the Computer Cover](#)
[Chassis Intrusion Switch](#)
[I/O Panel](#)
[Drives](#)
[PCI and PCI Express Cards](#)
[Power Supply](#)
[Processor](#)
[Battery](#)
[Replacing the System Board](#)
[Memory](#)
[Replacing the Computer Cover](#)

Notes, Notices, and Cautions

-  **NOTE:** A NOTE indicates important information that helps you make better use of your computer.
-  **NOTICE:** A NOTICE indicates either potential damage to hardware or loss of data and tells you how to avoid the problem.
-  **CAUTION:** A CAUTION indicates a potential for property damage, personal injury, or death.

If you purchased a Dell™ n Series computer, any references in this document to Microsoft® Windows® operating systems are not applicable.

Information in this document is subject to change without notice.
© 2006 Dell Inc. All rights reserved.

Reproduction in any manner whatsoever without the written permission of Dell Inc. is strictly forbidden.

Trademarks used in this text: *Dell*, the *DELL* logo, *OptiPlex*, *Inspiron*, *Dimension*, *Latitude*, *Dell Precision*, *DellNet*, *TravelLite*, *Dell OpenManage*, *PowerVault*, *Axim*, *PowerEdge*, *PowerConnect*, and *PowerApp* are trademarks of Dell Inc.; *Intel*, *Pentium*, and *Celeron* are registered trademarks of Intel Corporation; *Microsoft*, *MS-DOS*, and *Windows* are registered trademarks of Microsoft Corporation; *IBM* is a registered trademark of International Business Machines Corporation; *Bluetooth* is a trademark owned by Bluetooth SIG, Inc. and is used by Dell Inc. under license. *ENERGY STAR* is a registered trademark of the U.S. Environmental Protection Agency. As an ENERGY STAR partner, Dell Inc. has determined that this product meets the ENERGY STAR guidelines for energy efficiency.

Other trademarks and trade names may be used in this document to refer to either the entities claiming the marks and names or their products. Dell Inc. disclaims any proprietary interest in trademarks and trade names other than its own.

Models: DCTR, DCNE, DCSM, and DCCY

June 2006 KH288 Rev. A00

[Back to Contents Page](#)

Expansion Cards

Dell™ OptiPlex™ 745 User's Guide

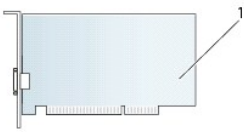
- [Installing an Expansion Card](#)
- [Removing an Expansion Card](#)

⚠ CAUTION: Before you begin any of the procedures in this section, follow the safety instructions located in the *Product Information Guide*.

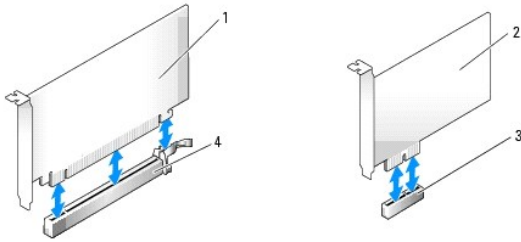
👉 NOTICE: To prevent static damage to components inside your computer, discharge static electricity from your body before you touch any of your computer's electronic components. You can do so by touching an unpainted metal surface on the computer chassis.

Your Dell™ computer supports a serial adapter and provides the following connectors for PCI and PCI Express cards.

- 1 Two PCI card slots
- 1 One PCI Express x16 card slot
- 1 One PCI Express x1 card slot



1 PCI card



1	PCI Express x16 card	3	PCI Express x1 card slot
2	PCI Express x1 card	4	PCI Express x16 card slot

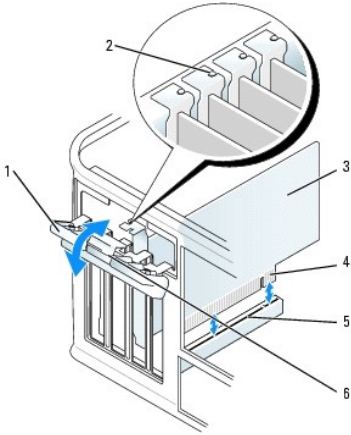
Installing an Expansion Card

🔧 NOTE: Your Dell computer uses only PCI and PCI Express slots. ISA cards are not supported.

🔧 NOTE: The serial port adapter for your mini tower computer also includes two PS/2 connectors.

If you are replacing a card, uninstall the driver for the existing card. See the documentation that came with the card for instructions.

1. Follow the procedures in [Before You Begin](#).
2. Gently push the release tab on the card retention latch from the inside to pivot the latch open. The latch will remain in the open position.



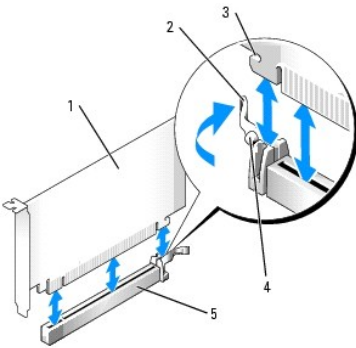
1	card retention latch	4	card-edge connector
2	alignment guide	5	card connector
3	card	6	release tab

3. If you are installing a new card, remove the filler bracket to create a card-slot opening. Then continue with step 5.
4. If you are replacing a card that is already installed in the computer, remove the card. If necessary, disconnect any cables connected to the card.
5. If your card includes a card retention bar, remove the bar. Gently pull the securing tab, grasp the card by its top corners, and ease it out of its connector.
6. Prepare the new card for installation.
7. If you are installing a serial port adapter, connect the adapter cable to the serial port adapter connector (SER2) on the system board.

NOTE: See the documentation that came with the card for information on configuring the card, making internal connections, or customizing it for your computer.


CAUTION: Some network adapters automatically start the computer when they are connected to a network. To guard against electrical shock, be sure to unplug your computer from its electrical outlet before installing any cards.

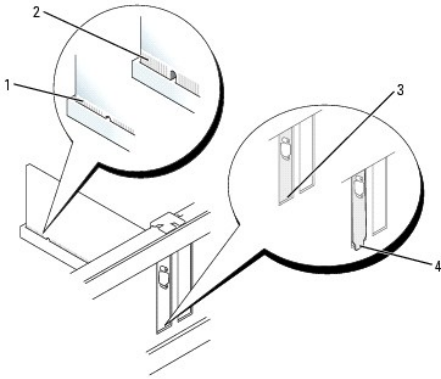
8. If you are installing the card into the x16 card connector, position the card so that the securing slot is aligned with the securing tab, and gently pull the securing tab.



1	PCI Express x16 card
2	lever
3	securing slot (not all cards)
4	securing tab
5	PCI Express x16 card connector

9. Place the card in the connector and press down firmly. Ensure that the card is fully seated in the slot.


 **NOTE:** If the card is full-length, insert the end of the card into the card-guide bracket as you lower the card toward its connector on the system board. Insert the card firmly into the card connector on the system board.



1	fully seated card
2	not fully seated card
3	bracket within slot
4	bracket caught outside of slot

10. Before you lower the card retention mechanism, ensure that:
 - 1 The tops of all cards and filler brackets are flush with the alignment bar.
 - 1 The notch in the top of the card or filler bracket fits around the alignment guide.


11. Secure the card(s) by closing the card retention latch and snapping it into place.

 **NOTICE:** Do not route card cables over or behind the cards. Cables routed over the cards can prevent the computer cover from closing properly or cause damage to the equipment.

12. Connect any cables that should be attached to the card.

See the documentation for the card for information about the card's cable connections.

13. Replace the computer cover (see [Replacing the Computer Cover](#)), reconnect the computer and devices to electrical outlets, and then turn them on.

 **NOTICE:** To connect a network cable, first plug the cable into the network wall jack and then plug it into the computer.

14. If you installed a sound card:

- a. Enter system setup, select **Audio Controller**, and change the setting to **Off** (see [System Setup](#)).
- b. Connect external audio devices to the sound card's connectors. Do not connect external audio devices to the microphone, speaker/headphone, or line-in connectors on the back panel of the computer.

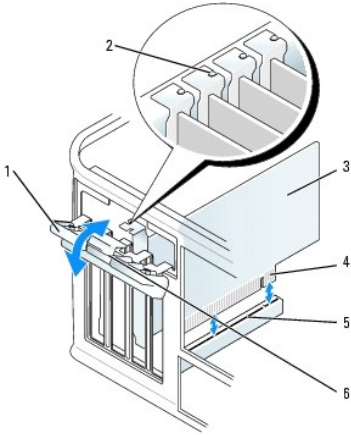
15. If you installed a network adapter card and want to turn off the integrated network adapter:

- a. Enter system setup, select **Network Controller**, and change the setting to **Off** (see [System Setup](#)).
- b. Connect the network cable to the network adapter card's connectors. Do not connect the network cable to the integrated network connector on the back panel of the computer.

16. Install any drivers required for the card as described in the card documentation.

Removing an Expansion Card

1. Follow the procedures in [Before You Begin](#).
2. Gently push the release tab on the card retention latch from the inside to pivot the latch open. The latch will remain in the open position.

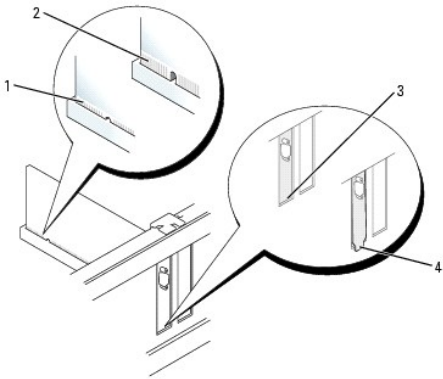


1	card retention latch	4	card-edge connector
2	alignment guide	5	card connector
3	card	6	release tab

3. If necessary, disconnect any cables connected to the card.
4. Grasp the card by its top corners, and ease it out of its connector.
5. If you are removing the card permanently, install a filler bracket in the empty card-slot opening.

NOTE: Installing filler brackets over empty card-slot openings is necessary to maintain FCC certification of the computer. The brackets keep dust and dirt out of your computer and maintain the airflow that cools your computer.

6. Before you lower the card retention mechanism, ensure that:
 - 1 The tops of all cards and filler brackets are flush with the alignment bar.
 - 1 The notch in the top of the card or filler bracket fits around the alignment guide.



1	fully seated card
2	not fully seated card
3	bracket within slot
4	bracket caught outside of slot

7. Close the card retention latch by snapping it into place.

NOTE: To connect a network cable, first plug the cable into the network wall jack and then plug it into the computer.

8. Replace the computer cover (see [Replacing the Computer Cover](#)), reconnect the computer and devices to electrical outlets, and then turn them on.
9. Uninstall the card's driver. See the documentation that came with the card for instructions.

10. If you removed a sound card:
 - a. Enter system setup, select **Audio Controller**, and change the setting to **On** (see [System Setup](#)).
 - b. Connect external audio devices to the audio connectors on the back panel of the computer.

 11. If you removed a network-adaptor card connector:
 - a. Enter system setup, select **Network Controller**, and change the setting to **On** (see [System Setup](#)).
 - b. Connect the network cable to the integrated network connector on the back panel of the computer.
-

[Back to Contents Page](#)

Dell™ OptiPlex™ 745 User's Guide

Processor

Processor

⚠ CAUTION: Before you begin any of the procedures in this section, follow the safety instructions located in the *Product Information Guide*.

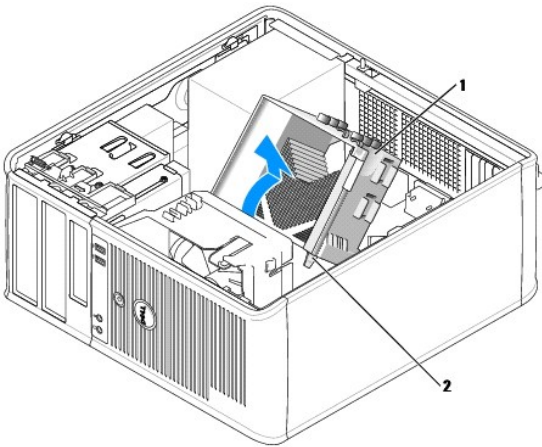
🔌 NOTICE: To prevent static damage to components inside your computer, discharge static electricity from your body before you touch any of your computer's electronic components. You can do so by touching an unpainted metal surface on the computer chassis.

Removing the Processor

1. Follow the procedures in [Before You Begin](#).
2. Loosen the captive screw on each side of the heat sink assembly.

⚠ CAUTION: Despite having a plastic shield, the heat sink assembly may be very hot during normal operation. Be sure that it has had sufficient time to cool before you touch it.

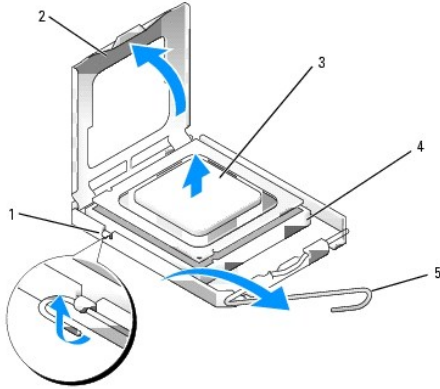
3. Rotate the heat sink assembly upward, and remove it from the computer. Lay the heat sink down on its top, with the thermal grease facing upward.



1	heat sink assembly
2	captive screw housings (2)

🔌 NOTICE: Unless a new heatsink is required for the new processor, reuse the original heat sink assembly when you replace the processor.

4. Open the processor cover by sliding the release lever from under the center cover latch on the socket. Then, pull the lever back to release the processor.



1	center cover latch
2	processor cover
3	processor
4	socket
5	release lever

➔ **NOTICE:** When replacing the processor, do not touch any of the pins inside the socket or allow any objects to fall on the pins in the socket.

5. Gently remove the processor from the socket.

Leave the release lever extended in the release position so that the socket is ready for the new processor.

Installing the Processor

➔ **NOTICE:** Ground yourself by touching an unpainted metal surface on the back of the computer.

➔ **NOTICE:** When replacing the processor, do not touch any of the pins inside the socket or allow any objects to fall on the pins in the socket.

1. Follow the procedures in [Before You Begin](#).

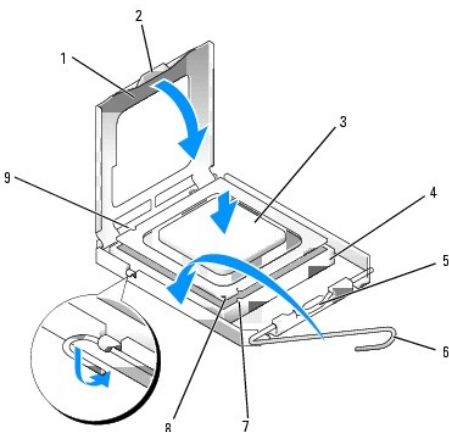
2. Unpack the new processor, being careful not to touch the underside of the processor.

📌 **NOTE:** You must position the processor correctly in the socket to avoid permanent damage to the processor and the computer when you turn on the computer.

3. If the release lever on the socket is not fully extended, move it to that position.

4. Orient the front and rear alignment-notches on the processor with the front and rear alignment-notches on the socket.

5. Align the pin-1 corners of the processor and socket.



1	processor cover	6	release lever
2	tab	7	front alignment-notch
3	processor	8	socket and processor pin-1 indicator
4	processor socket	9	rear alignment-notch
5	center cover latch		

➡ **NOTICE:** To avoid damage, ensure that the processor aligns properly with the socket, and do not use excessive force when you install the processor.

6. Set the processor lightly in the socket and ensure that the processor is positioned correctly.

7. When the processor is fully seated in the socket, close the processor cover.

Ensure that the tab on the processor cover is positioned underneath the center cover latch on the socket.

8. Pivot the socket release lever back toward the socket, and snap it into place to secure the processor.

9. Clean the thermal grease from the bottom of the heat sink.

➡ **NOTICE:** Ensure that you apply new thermal grease. New thermal grease is critical for ensuring adequate thermal bonding, which is a requirement for optimal processor operation.

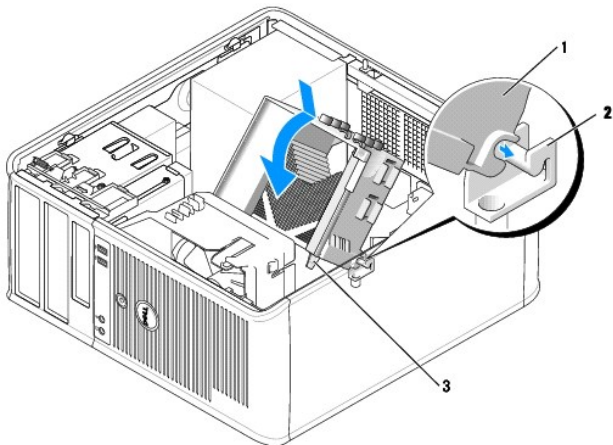
10. Apply the new thermal grease to the top of the processor.

11. Install the heat sink assembly:

a. Place the heat sink assembly back onto the heat-sink assembly bracket.

b. Rotate the heat sink assembly down towards the computer base and tighten the two captive screws.

➡ **NOTICE:** Ensure that the heat sink assembly is correctly seated and secure.



1	heat sink assembly
2	heat-sink assembly bracket
3	captive screw housing (2)

12. Replace the computer cover (see [Replacing the Computer Cover](#)).

[Back to Contents Page](#)


Drives

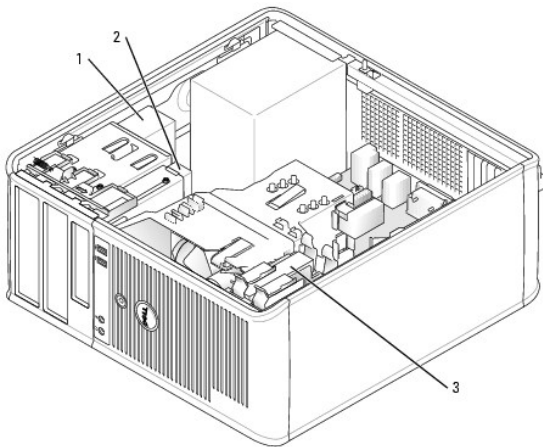
Dell™ OptiPlex™ 745 User's Guide

- [General Installation Guidelines](#)
- [Hard Drive](#)
- [Drive-Panel Inserts](#)
- [Floppy Drive and Media Card Reader](#)
- [Optical Drive](#)

Your computer supports:

- 1 Two SATA (Serial ATA) hard drives
- 1 One floppy drive or Media Card Reader
- 1 Two SATA optical drives

 **NOTE:** Due to the limited number of drive bays and controllers on this computer, you will not be able to connect all supported devices at once.



1	optical drive
2	floppy drive
3	hard drive

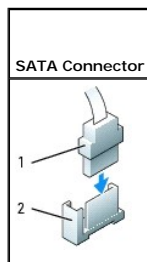
General Installation Guidelines

Connect SATA hard drives to the connectors labeled "SATA0" or "SATA1." Connect SATA optical drives to SATA connectors on the system board (see [System Board Components](#)).

Connecting Drive Cables

When you install a drive, you connect two cables—a DC power cable and a data cable—to the back of the drive.

Drive Interface Connectors

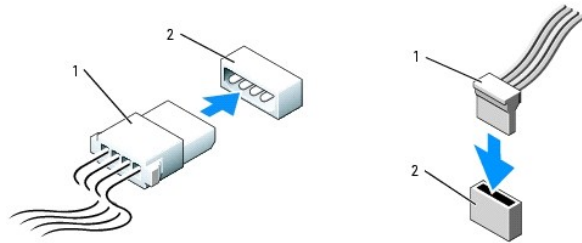


1	interface cable connector
2	interface connector

Most interface connectors are keyed for correct insertion; that is, a notch or a missing pin on one connector matches a tab or a filled-in hole on the other connector. Keyed connectors ensure that the pin-1 wire in the cable (indicated by the colored stripe along one edge of certain cables—SATA cables do not use a colored stripe) goes to the pin-1 end of the connector. The pin-1 end of a connector on a board or a card is usually indicated by a silk-screened "1" printed directly on the board or card.

➡ **NOTICE:** Inserting a cable incorrectly prevents the drive from operating and could damage the controller, the drive, or both.

Power Cable Connectors

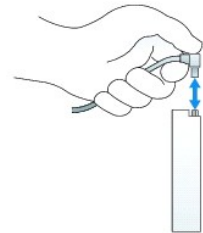


1	power cable
2	power input connector

Connecting and Disconnecting Drive Cables

When removing a cable with a pull-tab, grasp the colored pull-tab and pull until the connector detaches.

When connecting and disconnecting a SATA data cable, hold the cable by the black connector at each end.



Hard Drive

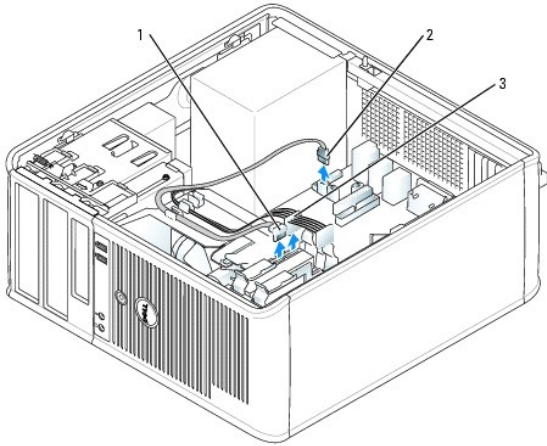
⚠ **CAUTION:** Before you begin any of the procedures in this section, follow the safety instructions in the *Product Information Guide*.

⚠ **CAUTION:** To guard against electrical shock, always unplug your computer from the electrical outlet before removing the computer cover.

➡ **NOTICE:** To avoid damage to the drive, do not set it on a hard surface. Instead, set the drive on a surface, such as a foam pad, that will sufficiently cushion it.

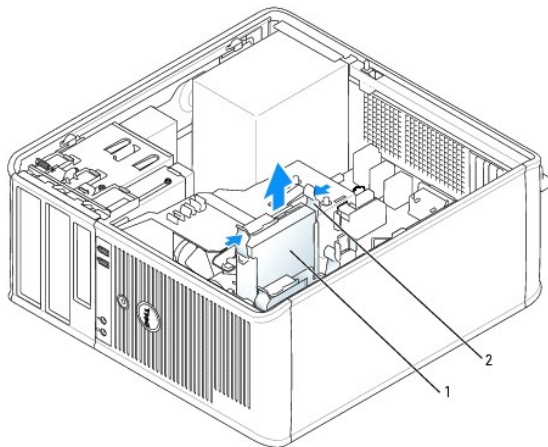
Removing a Hard Drive

1. If you are replacing a hard drive that contains data you want to keep, back up your files before you begin this procedure.
2. Check the documentation for the drive to verify that it is configured for your computer.
3. Follow the procedures in [Before You Begin](#).
4. Disconnect the power and data cables from the drive.



1	data cable
2	hard-drive system board connector
3	power cable

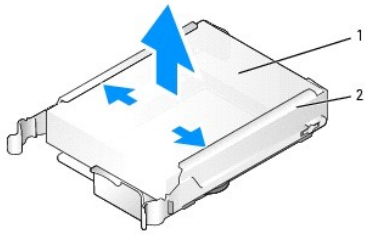
- Press in on the blue release tabs on each side of the drive and slide the drive up and out of the computer.



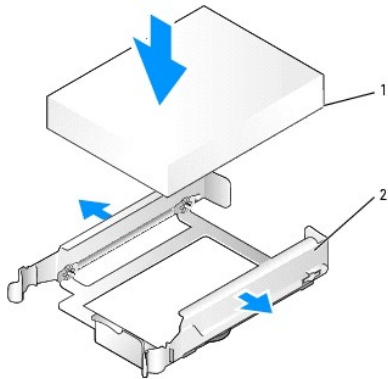
1	hard drive
2	release tabs (2)

Installing a Hard Drive

- Unpack the replacement hard drive, and prepare it for installation.
- Check the documentation for the drive to verify that it is configured for your computer.
- If your replacement hard drive does not have the plastic hard-drive bracket attached, remove the bracket from the existing drive by unsnapping it from the drive.
Snap the bracket onto the new drive.

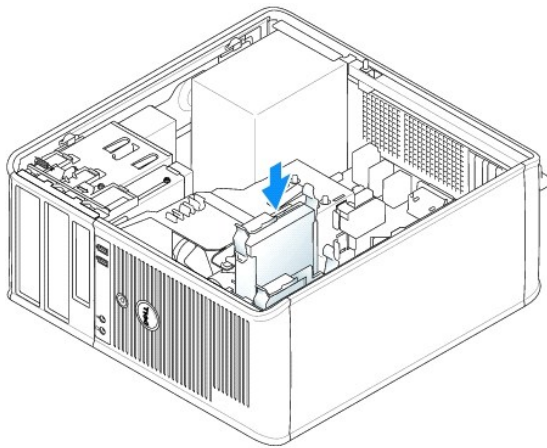


1	hard drive
2	hard-drive bracket



1	hard drive
2	hard-drive bracket

4. Gently spread the sides of the drive bracket and slide the hard drive into the bracket until the drive clicks into place.



5. Carefully slide the hard drive into the drive bay until it clicks into place.
6. Connect the power and data cables to the drive.
7. Ensure that the data cable is securely connected to the connector on the system board.
8. Check all connectors to be certain that they are properly cabled and firmly seated.
9. Replace the computer cover (see [Replacing the Computer Cover](#)).
10. If the drive you just installed is the primary drive, insert a bootable medium into your boot drive. See the documentation that came with the drive for instructions on installing any software required for drive operation.

11. Enter system setup (see [Entering System Setup](#)), and update the appropriate **Primary Drive** option (**0** or **1**).
12. Exit system setup, and reboot the computer.
13. Partition and logically format your drive before you proceed to the next step.
See the documentation for your operating system for instructions.
14. Test the hard drive by running the Dell Diagnostics (see [Dell Diagnostics](#)).
15. If the drive you just installed is the primary drive, install your operating system on the hard drive.

Adding a Second Hard Drive

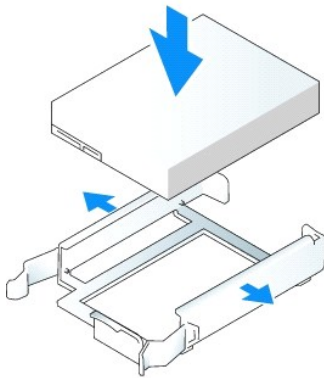
⚠ CAUTION: Before you begin any of the procedures in this section, follow the safety instructions in the *Product Information Guide*.

⚠ CAUTION: To guard against electrical shock, always unplug your computer from the electrical outlet before removing the computer cover.

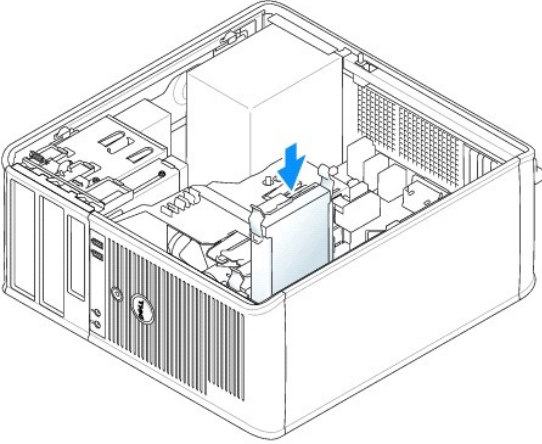
👉 NOTICE: To avoid damage to the drive, do not set it on a hard surface. Instead, set the drive on a surface, such as a foam pad, that will sufficiently cushion it.

👉 NOTICE: If you are replacing a hard drive that contains data you want to keep, back up your files before you begin this procedure.

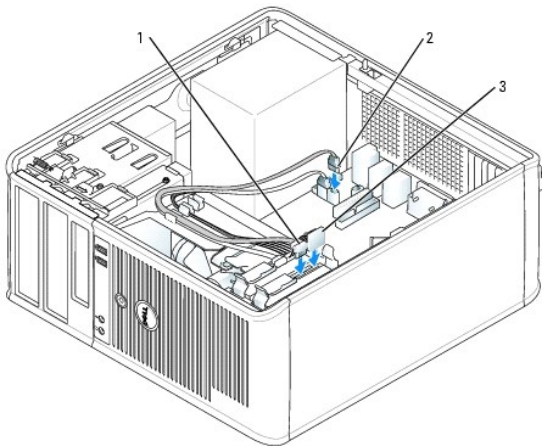
1. Check the documentation for the drive to verify that it is configured for your computer.
2. Follow the procedures in [Before You Begin](#).
3. Remove the plastic hard-drive bracket from the inside of the hard-drive bay by squeezing the release tabs and gently pulling the bracket up and out of the bay.
4. Gently spread the sides of the drive bracket and slide the hard drive into the bracket until the drive clicks into place.



5. Move the first hard drive from the upper bay to the lower bay:
 - a. Disconnect the power and the data cables from the back of the first hard drive.
 - b. Press in on the blue release tabs on each side of the drive and slide the first hard drive up and out of the upper bay.
 - c. Gently slide the first hard drive into the lower bay until it clicks into place.
6. Carefully slide the new hard drive into the upper bay until it clicks into place.
7. Connect the power cable to the drives.



8. Attach the SATA connector removed in [step 5](#) to the first hard drive.
9. Locate an unused SATA connector on the system board and attach a data cable to this connector and to the second hard drive.



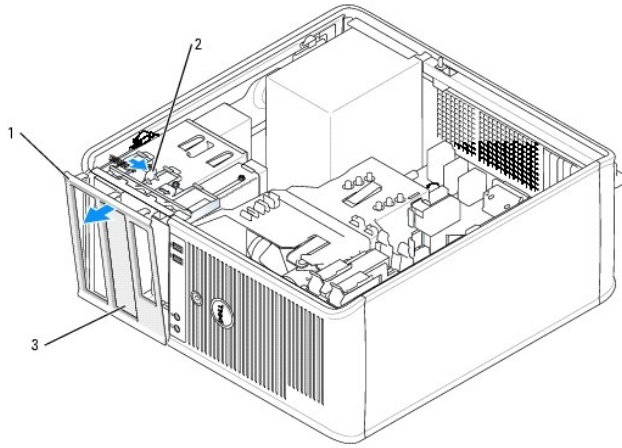
1	data cable
2	hard-drive system board connector
3	power cable

10. Replace the computer cover (see [Replacing the Computer Cover](#)).

Drive-Panel Inserts

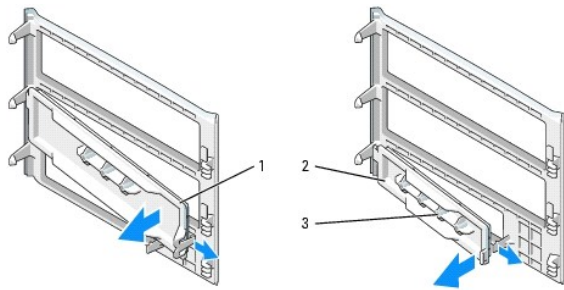
If you are installing a new floppy or optical drive instead of replacing a drive, remove the drive-panel inserts.

1. Follow the procedures in [Before You Begin](#).
2. Remove the drive panel by sliding the drive release latch downward to open the panel. Then remove it from the hinges.



1	drive panel
2	release tab
3	drive-panel insert

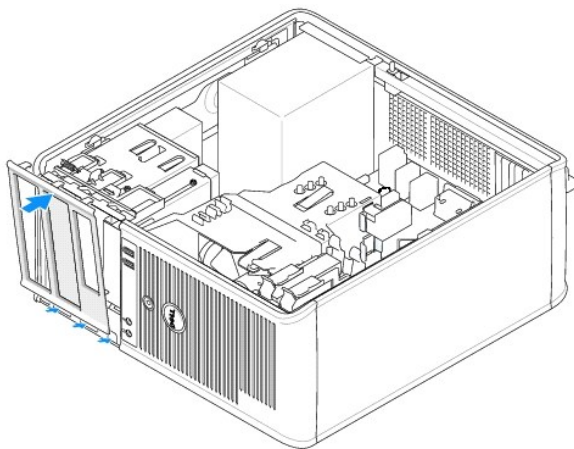
3. Select the drive-panel insert in front of the drive bay that you want to use.
4. Gently press the release tab of the insert to remove it from the drive panel.



1	optical-drive panel insert
2	floppy-drive panel insert
3	holder for shoulder screws

5. Reattach the drive panel to the front of the computer.

The drive panel only fits one way.



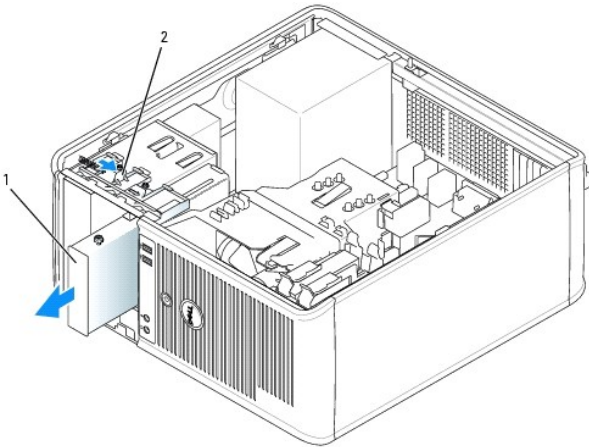
Floppy Drive and Media Card Reader

⚠ CAUTION: Before you begin any of the procedures in this section, follow the safety instructions located in the *Product Information Guide*.

⚠ CAUTION: To guard against electrical shock, always unplug your computer from the electrical outlet before removing the computer cover.

Removing the Floppy Drive or Media Card Reader

1. Follow the procedures in [Before You Begin](#).
2. Remove the drive panel by sliding the drive release latch downward to open the panel, and then remove it from the hinges.
3. Disconnect the power and data cables from the back of the floppy drive or Media Card Reader.

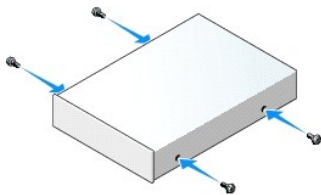


1	floppy drive or Media Card Reader
2	drive release latch

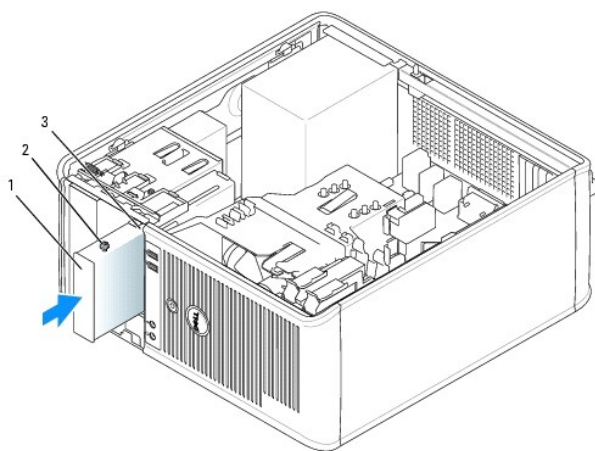
4. Grasp the sliding plate lever and slide it towards the top of the computer until the drive panel snaps open; while holding the lever in place, slide the drive or Media Card Reader out of the computer.

Installing the Floppy Drive or Media Card Reader

1. If you are replacing a floppy drive or Media Card Reader, remove the shoulder screws from the existing drive and attach the screws to the replacement drive.
2. If you are installing a new floppy drive or Media Card Reader, remove the drive-panel insert for the 3.5-inch drive bay, remove the shoulder screws from the inside of the drive-panel insert and attach the screws to the new drive.

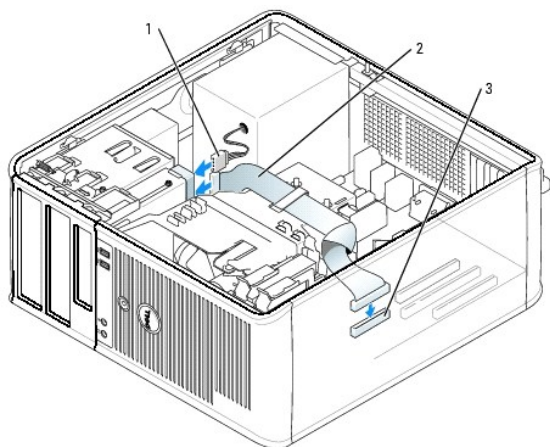


3. Align the shoulder screws on the floppy drive or Media Card Reader with the shoulder screw slots, and gently slide it into the bay until it clicks into place.



1	floppy drive or Media Card Reader
2	shoulder screws (4)
3	shoulder screw slots (2)

4. Attach the power and data cables to the floppy drive or Media Card Reader.



1	power cable
2	data cable
3	floppy-drive connector (DSKT)

5. Replace the computer cover (see [Replacing the Computer Cover](#)).
6. Enter system setup (see [Entering System Setup](#)), and use the **Diskette Drive** option to enable your new floppy drive.
7. Verify that your computer works correctly by running the Dell Diagnostics (see [Dell Diagnostics](#)).

Optical Drive

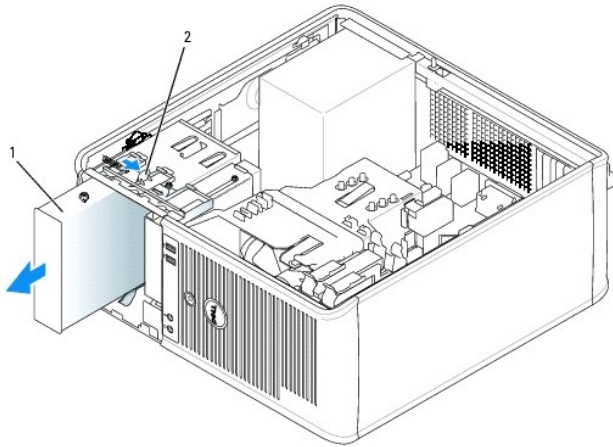
CAUTION: Before you begin any of the procedures in this section, follow the safety instructions located in the *Product Information Guide*.

CAUTION: To guard against electrical shock, always unplug your computer from the electrical outlet before replacing the cover.

Removing an Optical Drive

1. Follow the procedures in [Before You Begin](#).

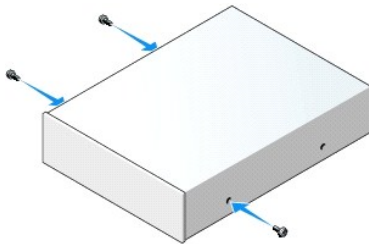
2. Disconnect the power and data cables from the back of the drive.
3. Grasp the sliding plate lever and slide it towards the top of the computer until the drive panel snaps open; while holding the lever in place, slide the drive out of the computer.



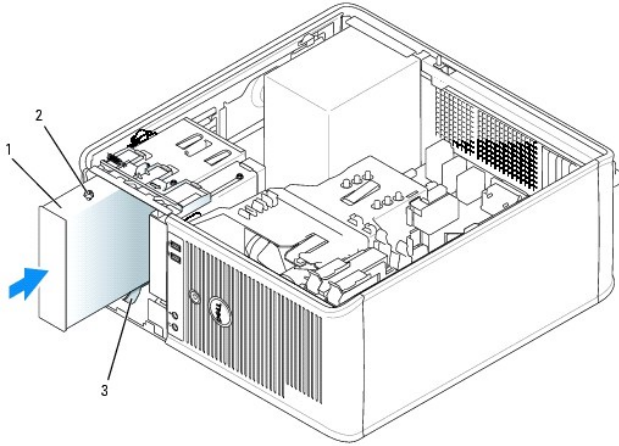
1	optical drive
2	drive release latch

Installing an Optical Drive

1. Follow the procedures in [Before You Begin](#).
2. If you are replacing an optical drive, remove the shoulder screws from the existing drive and attach the screws to the replacement drive.
3. If you are installing a new optical drive, remove the drive-panel insert for your new drive, remove the shoulder screws from the inside of the drive-panel insert, and attach the screws to the new drive.

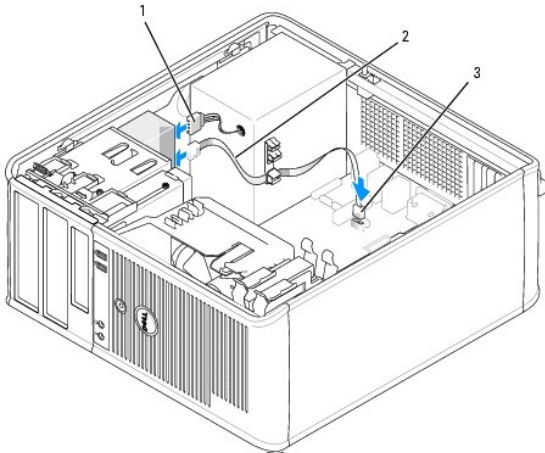


4. Check the documentation that accompanied the drive to verify that the drive is configured for your computer.
5. Align the shoulder screws on the optical drive with the shoulder screw slots, and slide the drive into the bay until it clicks into place.



1	optical drive
2	shoulder screws (3)
3	shoulder screw slots (2)

6. Connect the power and data cables to the drive and to the system board.



1	power cable
2	data cable
3	SATA optical drive connector

7. Check all cable connections, and fold cables out of the way to provide airflow for the fan and cooling vents.

8. Replace the computer cover (see [Replacing the Computer Cover](#)).

9. Update your configuration information in system setup by setting the appropriate **Drive** option (**0** or **1**) under **Drives**. See [System Setup](#).

10. Verify that your computer works correctly by running the Dell Diagnostics (see [Dell Diagnostics](#)).

[Back to Contents Page](#)

I/O Panel

Removing the I/O Panel

CAUTION: Before you begin any of the procedures in this section, follow the safety instructions located in the *Product Information Guide*.

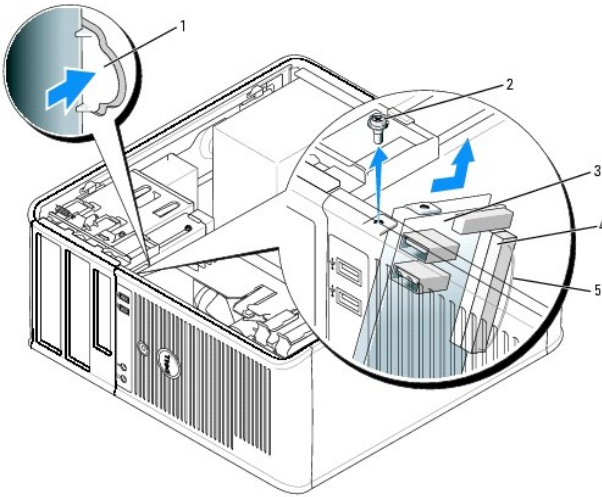
CAUTION: To guard against electrical shock, always unplug your computer from the electrical outlet before removing the cover.

NOTE: Note the routing of all cables as you remove them so that you can re-route them correctly when installing the new I/O panel.

1. Follow the procedures in [Before You Begin](#).

NOTICE: When sliding the I/O panel out of the computer, be extremely careful. Carelessness may result in damage to the cable connectors and the cable routing clips.

2. Remove the screw that secures the I/O panel. Press on the release button and pull on the loop to slide the card away from the computer.
3. Disconnect all of the cables from the I/O panel, and remove the panel from the computer.



1	I/O panel release button
2	securing screw
3	I/O panel
4	I/O cable connector
5	I/O cable connector pull-loop

Replacing the I/O Panel

1. To replace the I/O panel, follow the removal procedure in the reverse order.

NOTE: Use the guides on the I/O panel bracket to help position the I/O panel in place, and use the notch on the I/O panel bracket to help seat the panel.

Power Supply

Replacing the Power Supply

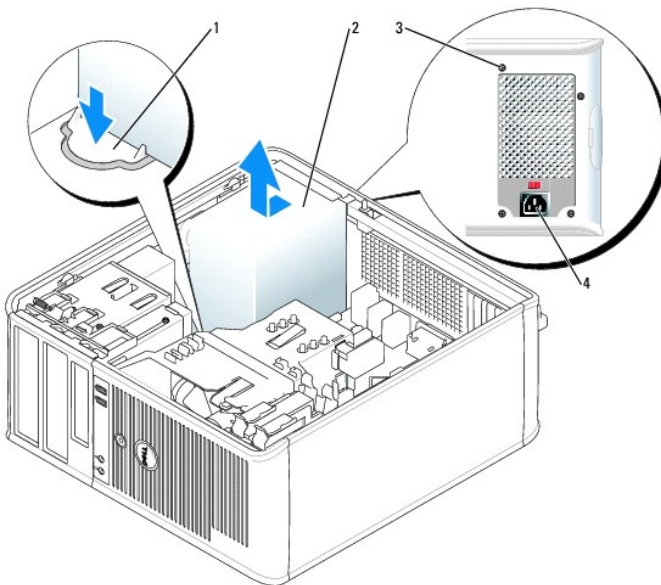
⚠ CAUTION: Before you begin any of the procedures in this section, follow the safety instructions located in the *Product Information Guide*.

🔌 NOTICE: To prevent static damage to components inside your computer, discharge static electricity from your body before you touch any of your computer's electronic components. You can do so by touching an unpainted metal surface on the computer chassis.

1. Follow the procedures in [Before You Begin](#).
2. Disconnect the DC power cables from the system board and the drives.

Note the routing of the DC power cables underneath the tabs in the computer chassis as you remove them from the system board and drives. You must route these cables properly when you replace them to prevent them from being pinched or crimped.

3. Remove the four screws that attach the power supply to the back of the computer chassis.
4. Press the release button located on the floor of the computer chassis.

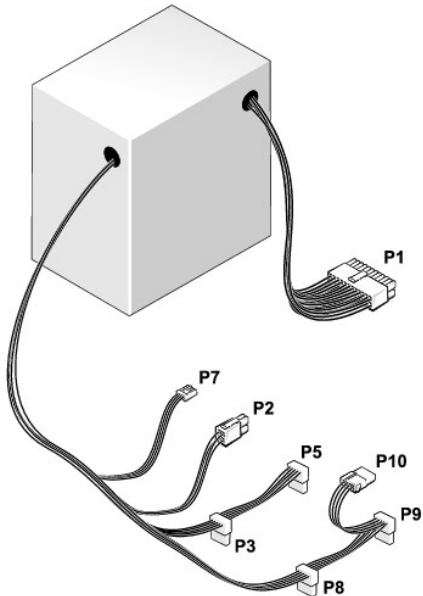


1	release button
2	power supply
3	screws (4)
4	AC power connector

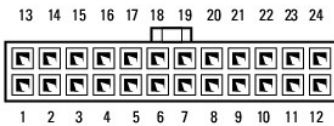
5. Slide the power supply toward the front of the computer by approximately 1 inch.
6. Lift the power supply up and out of the computer.
7. Slide the replacement power supply into place.
8. Replace the screws that secure the power supply to the back of the computer chassis.

9. Reconnect the DC power cables to the power supply.
10. Connect the AC power cable to the AC power connector.
11. Replace the computer cover (see [Replacing the Computer Cover](#)).

DC Power Connectors



DC Power Connector P1



Pin Number	Signal name	18-AWG Wire
1	+3.3 VDC	Orange
2	+3.3 VDC	Orange
3	GND	Black
4	+5 VDC	Red
5	GND	Black
6	+5 VDC	Red
7	GND	Black
8	PS_PWRGOOD	Gray
9	P5AUX	Purple
10	V_12PO_DIG	White
11	V_12PO_DIG	White
12	+3.3 VDC	Orange
13	+3.3VDC/SE*	Orange
14	-12 VDC	Blue
15	GND	Black
16	PWR_PS_ON	Green
17	GND	Black
18	GND	Black

19	GND	Black
20	NC	NC
21	+5 VDC	Red
22	+5 VDC	Red
23	+5 VDC	Red
24	GND	Black

*Optional wire. Use 22-AWG wire instead of 18-AWG wire.

DC Power Connector P2



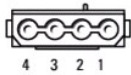
Pin Number	Signal Name	18-AWG Wire
1	GND	Black
2	GND	Black
3	+12 VADC	Yellow
4	+12 VADC	Yellow

DC Power Connectors P3, P5, P8, and P9



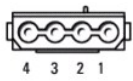
Pin Number	Signal name	18-AWG Wire
1	+3.3 VDC	Orange
2	GND	Black
3	+5 VDC	Red
4	GND	Black
5	+12 VBDC	White

DC Power Connector P7



Pin Number	Signal Name	22-AWG Wire
1	+5 VDC	Red
2	GND	Black
3	GND	Black
4	+12 VADC	Yellow

DC Power Connector P10



Pin Number	Signal name	18-AWG Wire
1	+12 VBDC	White
2	GND	Black
3	GND	Black
4	+5 VDC	Red

[Back to Contents Page](#)

Dell™ OptiPlex™ 745 User's Guide

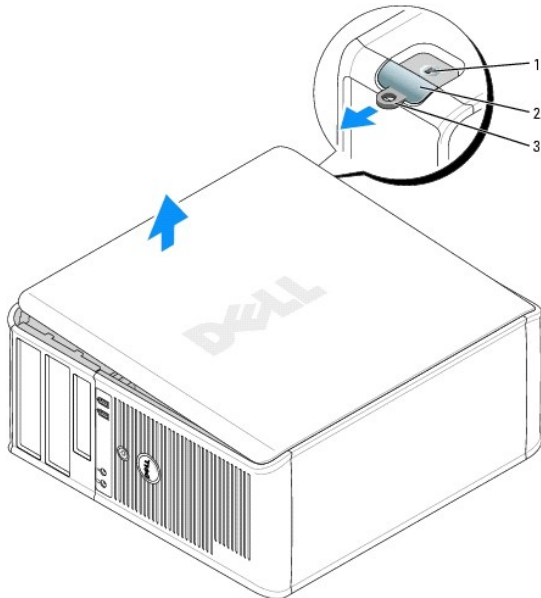
Removing the Computer Cover

⚠ CAUTION: Before you begin any of the procedures in this section, follow the safety instructions located in the *Product Information Guide*.

⚠ CAUTION: To guard against electrical shock, always unplug your computer from the electrical outlet before removing the computer cover.

1. Follow the procedures in [Before You Begin](#).
2. Lay the computer on its side as shown in the illustration.
3. Locate the cover release latch shown in the illustration. Then, slide the release latch back as you lift the cover.
4. Grip the sides of the computer cover and pivot the cover up using the hinge tabs as leverage points.
5. Remove the cover from the hinge tabs and set it aside on a soft nonabrasive surface.

⚠ CAUTION: Graphic card heatsinks can become very hot during normal operation. Ensure that a graphic card heatsink has had sufficient time to cool before you touch it.



1	security cable slot
2	cover release latch
3	padlock ring

Dell™ OptiPlex™ 745 User's Guide

• [Mini Tower Computer Specifications](#)

Mini Tower Computer Specifications

Microprocessor	
Microprocessor type	Intel® Pentium® 4, Pentium® D, Celeron®, or Core™ processor
Internal cache	At least 512-KB pipelined-burst, eight-way set associative, write-back SRAM

Memory	
Type	533, 667, or 800 MHz DDR2 SDRAM NOTE: 2-GB 800-MHz memory modules are not supported.
Memory connectors	4
Memory modules supported	256-MB, 512-MB, 1-GB, or 2-GB non-ECC
Minimum memory	dual-channel: 512 MB single-channel: 256 MB
Maximum memory	At 533 or 667 MHz: 8 GB At 800 MHz: 4 GB
BIOS address	F0000h

Computer Information	
Chipset	Intel® Q965 Express
Data bus width	64 bits
Address bus width	32 bits
DMA channels	eight
Interrupt levels	24
BIOS chip (NVRAM)	8 Mb
NIC	Integrated network interface with ASF 1.03 and 2.0 support as defined by DMTF Capable of 10/100/1000 communication

Video	
Type	Intel® Graphics Media Accelerator 3000 or PCI Express x16 graphics card

Audio	
Type	ADI 1983 High Definition Audio
Stereo conversion	20-bit analog-to-digital; 20-bit digital-to-analog

Controllers	
Drives	four SATA controllers supporting one device each

Expansion Bus	
---------------	--

Bus type	PCI 2.3 PCI Express 1.0A SATA 1.0A and 2.0 USB 2.0
Bus speed	PCI: 133 MB/s PCI Express x16: 8 GB/s bidirectional speed PCI Express x1: 5 Gbps SATA: 1.5 Gbps and 3.0 Gbps USB: 480 Mbps
Cards:	full-height cards supported
PCI:	
connectors	two
connector size	120 pins
connector data width (maximum)	32 bits
PCI Express:	
connectors	one x1 and one x16
power	10 W (x1) and 75 W (x16) maximum
connector size	36 pins (x1) and 120 pins (x16)
connector data width (maximum)	one PCI Express lane (x1) and 16 PCI Express lanes (x16)

Drives	
Externally accessible	one 3.5-inch drive two 5.25-inch drive bays
Internally accessible	two bays for 1-inch-high hard drives

Connectors	
External connectors:	
Serial	9-pin connector; 16550C-compatible
Parallel	25-hole connector (bidirectional)
Video	15-hole VGA connector
Network adapter	RJ45 connector
Optional PS/2 with secondary serial port adapter	two 6-pin mini-DINs
USB	two front-panel and six back-panel USB 2.0-compliant connectors
Audio	two connectors for line-in/ microphone and line-out; two front-panel connectors for headphones and microphone
System board connectors:	
SATA	four 7-pin connectors
internal USB	10-pin header for optional Media Card Reader (3.5-inch bay device)
Floppy drive	34-pin connector
Serial	12-pin connector for optional second serial port card
Fan	5-pin connector
PCI 2.2	two 120-pin connectors
Front panel	40-pin connector

Key Combinations	
<Ctrl><Alt>	If you are running Microsoft® Windows® XP, brings up the Windows Security window. If in MS-DOS® mode, restarts (reboots) the computer.
<F2> or <Ctrl><Alt><Enter>	starts embedded system setup (during start-up only)
<Ctrl><Alt>	automatically starts the computer from the network environment specified by the remote boot environment (PXE) rather than from one of the devices in the system setup Boot Sequence option (during start-up only)
<F12> or <Ctrl><Alt><F8>	displays a boot device menu that allows the user to enter a device for a single boot (during start-up only) as well as options to run hard-drive and system diagnostics

Controls and Lights	
Power control	push button
Power light	green light — blinking green indicates sleep mode; solid green indicates power-on state. amber light — blinking amber indicates a problem with an installed device; solid amber indicates an internal power problem (see Power Problems).
Hard-drive access light	green
Link light	solid green light indicates network connection
Link integrity light (on integrated network adapter)	green light for 10-Mb operation; orange light for 100-Mb operation; yellow light for a 1000-Mb (1-Gb) operation
Activity light (on integrated network adapter)	yellow blinking light
Diagnostic lights	Four lights on the front panel. See Diagnostic Lights .
Standby power light	AUX_PWR on the system board

Power	
DC power supply:	NOTE: Power consumption can be zero when the computer is unplugged.
Wattage	305 W
Heat dissipation	1041 BTU/hr NOTE: Heat dissipation is calculated based upon the power supply rating.
Voltage	manual selection power supplies—90 to 135 V at 60 Hz; 180 to 265 V at 50 Hz
Backup battery	3-V CR2032 lithium coin cell

Physical	
Height	41.4 cm (16.3 inches)
Width	18.5 cm (7.3 inches)
Depth	43.9 cm (17.3 inches)
Weight	12.34 kg (27.2 lb)

Environmental	
Temperature:	
Operating	10° to 35°C (50° to 95°F)
Storage	-40° to 65°C (-40° to 149°F)
Relative humidity	20% to 80% (noncondensing)
Maximum vibration:	
Operating	0.25 G at 3 to 200 Hz at 0.5 octave/min
Storage	0.5 G at 3 to 200 Hz at 1 octave/min
Maximum shock:	
Operating	bottom half-sine pulse with a change in velocity of 50.8 cm/sec (20 inches/sec)
Storage	27-G faired square wave with a velocity change of 508 cm/sec (200 inches/sec)
Altitude:	
Operating	-15.2 to 3048 m (-50 to 10,000 ft)
Storage	-15.2 to 10,668 m (-50 to 35,000 ft)

Microsoft® Windows® XP Features

Dell™ OptiPlex™ 745 User's Guide


- [Transferring Information to a New Computer](#)
 - [User Accounts and Fast User Switching](#)
 - [Setting Up a Home and Office Network](#)
-

Transferring Information to a New Computer

The Microsoft® Windows® XP operating system provides a **Files and Settings Transfer Wizard** to move data from a source computer to a new computer. You can transfer data, such as:

- 1 E-mail messages
- 1 Toolbar settings
- 1 Window sizes
- 1 Internet bookmarks


You can transfer the data to the new computer over a network or serial connection, or you can store it on a removable media, such as a writable CD, for transfer to the new computer.

 **NOTE:** You can transfer information from the old computer to the new computer by directly connecting a serial cable to the input/output (I/O) ports of the two computers. To transfer data over a serial connection, you must access the Network Connections utility from the Control Panel and perform additional configuration steps, such as setting up an advanced connection and designating the host computer and the guest computer.

For instructions on setting up a direct cable connection between two computers, see Microsoft Knowledge Base Article #305621, titled *How to Set Up a Direct Cable Connection Between Two Computers in Windows XP*. This information may not be available in some countries.

For transferring information to a new computer, you must run the Files and Settings Transfer Wizard. You can use the optional *Operating System* CD for this process or you can create a wizard disk with the Files and Settings Transfer Wizard.

Running the Files and Settings Transfer Wizard With the Operating System CD

 **NOTE:** This procedure requires the *Operating System* CD. This CD is optional and may not be included with all computers.

To prepare the new computer for the file transfer:

1. Start the **Files and Settings Transfer Wizard**.
2. When the **Files and Settings Transfer Wizard** welcome screen appears, click **Next**.
3. On the **Which computer is this?** screen, click **New Computer** and click **Next**.
4. On the **Do you have a Windows XP CD?** screen, click **I will use the wizard from the Windows XP CD** and click **Next**.
5. When the **Now go to your old computer** screen appears, go to your old or source computer. Do *not* click **Next** at this time.

To copy data from the old computer:

1. On the old computer, insert the Windows XP *Operating System* CD.
2. On the **Welcome to Microsoft Windows XP** screen, click **Perform additional tasks**.
3. Under **What do you want to do?**, click **Transfer files and settings**.
4. On the **Files and Settings Transfer Wizard** welcome screen, click **Next**.
5. On the **Which computer is this?** screen, click **Old Computer** and click **Next**.
6. On the **Select a transfer method** screen, click the transfer method you prefer.
7. On the **What do you want to transfer?** screen, select the items you want to transfer and click **Next**.

After the information has been copied, the **Completing the Collection Phase** screen appears.

8. Click **Finish**.

To transfer data to the new computer:

1. On the **Now go to your old computer** screen on the new computer, click **Next**.
2. On the **Where are the files and settings?** screen, select the method you chose for transferring your settings and files and click **Next**.
The wizard reads the collected files and settings and applies them to your new computer.
When all of the settings and files have been applied, the **Finished** screen appears.
3. Click **Finished** and restart the new computer.

Running the Files and Settings Transfer Wizard Without the Operating System CD

To run the Files and Settings Transfer Wizard without the *Operating System* CD, you must create a wizard disk that will allow you to create a backup image file to removable media.

To create a wizard disk, use your new computer with Windows XP and perform the following steps:

1. Click the **Start** button.
2. Click **Files and Settings Transfer Wizard**.
3. When the **Files and Settings Transfer Wizard** welcome screen appears, click **Next**.
4. On the **Which computer is this?** screen, click **New Computer** and click **Next**.
5. On the **Do you have a Windows XP CD?** screen, click **I want to create a Wizard Disk in the following drive:** and click **Next**.
6. Insert the removable media, such as a writable CD, and click **OK**.
7. When the disk creation completes and the **Now go to your old computer** message appears, *do not* click **Next**.
8. Go to the old computer.

To copy data from the old computer:


1. On the old computer, insert the wizard disk.
2. Click the **Start** button and click **Run**.
3. In the **Open** field on the **Run** window, browse to the path for **fastwiz** (on the appropriate removable media) and click **OK**.
4. On the **Files and Settings Transfer Wizard** welcome screen, click **Next**.
5. On the **Which computer is this?** screen, click **Old Computer** and click **Next**.
6. On the **Select a transfer method** screen, click the transfer method you prefer.
7. On the **What do you want to transfer?** screen, select the items you want to transfer and click **Next**.


After the information has been copied, the **Completing the Collection Phase** screen appears.

8. Click **Finish**.

To transfer data to the new computer:

1. On the **Now go to your old computer** screen on the new computer, click **Next**.
2. On the **Where are the files and settings?** screen, select the method you chose for transferring your settings and files and click **Next**. Follow the instructions on the screen.
The wizard reads the collected files and settings and applies them to your new computer.
When all of the settings and files have been applied, the **Finished** screen appears.
3. Click **Finished** and restart the new computer.

 **NOTE:** For more information about this procedure, search support.dell.com for document #PA1089586 (*How Do I Transfer Files From My Old Computer to My New Dell Computer Using the Microsoft® Windows® XP Operating System?*).


 **NOTE:** Access to the Dell™ Knowledge Base document may not be available in some countries.

User Accounts and Fast User Switching

Adding User Accounts


After the Microsoft Windows XP operating system is installed, the administrator or a user with administrator rights can create additional user accounts.

1. Click the **Start** button and click **Control Panel**.
2. In the **Control Panel** window, click **User Accounts**.
3. Under **Pick a task**, click **Create a new account**.
4. Under **Name the new account**, type the name of the new user and click **Next**.
5. Under **Pick an account type**, click one of the following options:
 - 1. **Computer administrator** — You can change all computer settings.
 - 1. **Limited** — You can change only your own personal settings, such as your password. You cannot install programs or use the Internet.

 **NOTE:** Additional options may be available, depending on whether you are using Windows XP Home Edition or Windows XP Professional. Also, options available in Windows XP Professional vary depending on whether your computer is connected to a domain.

6. Click **Create Account**.

Fast User Switching

 **NOTE:** Fast User Switching is unavailable if your computer is running Windows XP Professional and is a member of a computer domain, or if your computer has less than 128 MB of memory.

Fast User Switching allows multiple users to access one computer without requiring the previous user to log off.


1. Click the **Start** button and click **Log Off**.
2. In the **Log Off Windows** window, click **Switch User**.

When you use Fast User Switching, programs that previous users were using remain running in the background, which might decrease your computer's response time. Also, multimedia programs, such as games and DVD software, might not work with Fast User Switching. For more information, see the Windows Help and Support Center. For information about how to access the Windows Help and Support Center, see [Finding Information](#).

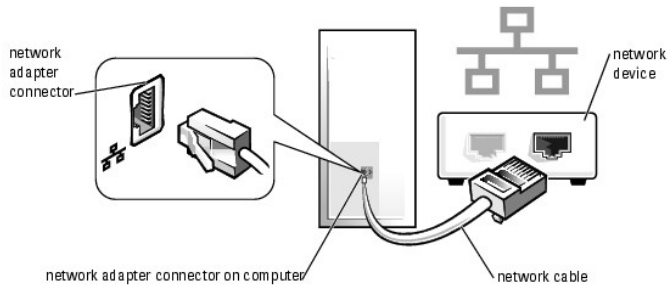
Setting Up a Home and Office Network

Connecting to a Network Adapter

To connect a network cable:

 **NOTE:** Plug the network cable into the network adapter connector on the computer. Do not plug the network cable into the modem connector on the computer. Do not plug a network cable into a telephone wall jack.


1. Connect the network cable to the network adapter connector on the back of your computer.
Insert the cable until it clicks into place, and then gently pull it to ensure that it is secure.
2. Connect the other end of the network cable to a network device.



Network Setup Wizard

The Microsoft® Windows® XP operating system provides a Network Setup Wizard to guide you through the process of sharing files, printers, or an Internet connection between computers in a home or small office.

1. Click the **Start** button, point to **All Programs**→ **Accessories**→ **Communications**, and then click **Network Setup Wizard**.
2. On the **Network Setup Wizard** welcome screen, click **Next**.
3. Click **Checklist for creating a network**.

 **NOTE:** Selecting the connection method **This computer connects directly to the Internet** enables the integrated firewall provided with Windows XP Service Pack 1 (SP1) or later.

4. Complete the checklist and required preparations.
5. Return to the Network Setup Wizard and follow the instructions on the screen.


[Back to Contents Page](#)

Replacing the Computer Cover

Dell™ OptiPlex™ 745 User's Guide

 **CAUTION:** Before you begin any of the procedures in this section, follow the safety instructions in the *Product Information Guide*.

1. Ensure that all cables are connected, and fold cables out of the way.
Gently pull the power cables toward you so that they do not get caught underneath the drives.
2. Ensure that no tools or extra parts are left inside the computer.
3. To replace the cover:
 - a. Align the bottom of the cover with the hinge tabs located along the bottom edge of the computer.
 - b. Using the hinge tabs as leverage, rotate the cover downward to close it.
 - c. Snap the cover into place by pulling back on the cover release latch and then releasing the latch when the cover is properly seated.
 - d. Ensure that the cover is seated correctly before moving the computer.


 **NOTICE:** To connect a network cable, first plug the cable into the network wall jack and then plug it into the computer.

4. Attach the computer stand (if applicable). For instructions, see the documentation that came with the stand.
5. Connect your computer and devices to electrical outlets, and turn them on.

After you remove and replace the cover, the chassis intrusion detector (optional on some computers), if installed and enabled, causes the following message to appear on the screen at the next computer start-up:

ALERT! Cover was previously removed.

6. Reset the chassis intrusion detector in [System Setup](#) by changing **Chassis Intrusion** to **On** or **On- Silent**.

 **NOTE:** If an administrator password has been assigned by someone else, contact your network administrator for information on resetting the chassis intrusion detector.

[Back to Contents Page](#)

Expansion Cards

Dell™ OptiPlex™ 745 User's Guide

- [Installing an Expansion Card](#)
- [Removing an Expansion Card](#)

⚠ CAUTION: Before you begin any of the procedures in this section, follow the safety instructions located in the *Product Information Guide*.

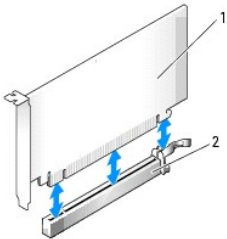
👉 NOTICE: To prevent static damage to components inside your computer, discharge static electricity from your body before you touch any of your computer's electronic components. You can do so by touching an unpainted metal surface on the computer chassis.

Your Dell™ computer supports a serial adapter and provides the following connectors for PCI Express cards.

- 1 One PCI Express x16 card slot

📌 NOTE: Your Dell computer uses only PCI and PCI Express slots. ISA cards are not supported.

Your computer supports one PCI Express x16 card.



1	PCI Express x16 card
2	PCI Express x16 card slot

If you are installing or replacing a PCI Express card, follow the procedures in the next section. If you are removing but not replacing a card, see [Removing an Expansion Card](#).

If you are replacing a card, uninstall the driver for the existing card. See the documentation that came with the card for instructions.

Installing an Expansion Card

1. Follow the procedures in [Before You Begin](#).
2. Gently push the release tab on the card retention latch from the inside to pivot the latch open. The latch will remain in the open position.
3. If you are installing a new card, remove the filler bracket to create a card-slot opening. Then continue with [step 5](#).
4. If you are replacing a card that is already installed in the computer, remove the card.

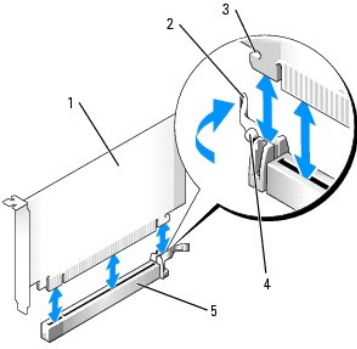
If necessary, disconnect any cables connected to the card. If your card includes a card retention bar, remove the bar. Gently pull the securing tab, grasp the card by its top corners, and ease it out of its connector.

5. Prepare the new card for installation.

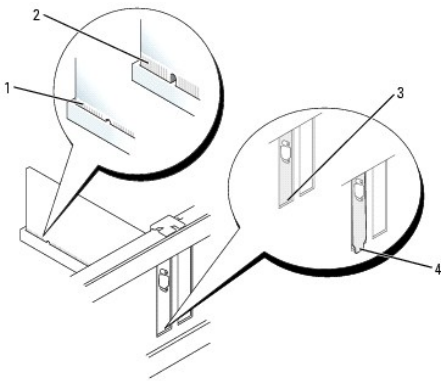
See the documentation that came with the card for information on configuring the card, making internal connections, or otherwise customizing it for your computer.

⚠ CAUTION: Some network adapters automatically start the computer when they are connected to a network. To guard against electrical shock, be sure to unplug your computer from its electrical outlet before installing any cards.

6. If you are installing the card into the x16 card connector, position the card so the securing slot is aligned with the securing tab, and gently pull the securing tab.
7. Place the card in the connector and press down firmly. Ensure that the card is fully seated in the slot.



1	PCI Express x16 card
2	lever
3	securing slot (not all cards)
4	securing tab
5	PCI Express x16 card connector



1	fully seated card
2	not fully seated card
3	bracket within slot
4	bracket caught outside of slot

8. If applicable, before replacing the card retention mechanism, ensure that:
 1. The tops of all cards and filler brackets are flush with the alignment bar.
 1. The notch in the top of the card or filler bracket fits around the alignment guide.

9. Snap the card retention mechanism into place, securing the card(s) in the computer.

⚠ **NOTICE:** Do not route card cables over or behind the cards. Cables routed over the cards can prevent the computer cover from closing properly or cause damage to the equipment.

⚠ **NOTICE:** To connect a network cable, first plug the cable into the network wall jack and then plug it into the computer.

10. If you're installing a serial port adapter, connect the adapter cable to the serial port adapter connector (SER2) on the system board.

11. Connect any cables that should be attached to the card.

See the documentation for the card for information about the card's cable connections.



12. Replace the computer cover (see [Replacing the Computer Cover](#)), reconnect the computer and devices to electrical outlets, and then turn them on.

13. If you installed a sound card:

- a. Enter system setup, select **Audio Controller**, and change the setting to **Off** (see [Entering System Setup](#)).
- b. Connect external audio devices to the sound card's connectors. Do not connect external audio devices to the microphone, speaker/headphone, or line-in connectors on the back panel.

14. If you installed a network adapter card and want to turn off the integrated network adapter:
 - a. Enter system setup, select Network **Controller**, and change the setting to **Off** (see [Entering System Setup](#)).
 - b. Connect the network cable to the network adapter card's connectors. Do not connect the network cable to the integrated network connector on the back panel of the computer.
 15. Install any drivers required for the card as described in the card documentation.
-

Removing an Expansion Card

1. Follow the procedures in [Before You Begin](#).
 2. Gently push the release tab on the card retention latch from the inside to pivot the latch open. Because the latch is captive, it will remain in the open position.
 3. If necessary, disconnect any cables connected to the adapter.
 4. Grasp the expansion card by its top corners, and ease it out of its connector.
 5. If you are removing the card permanently, install a filler bracket in the empty card-slot opening.
 **NOTE:** Installing filler brackets over empty card-slot openings is necessary to maintain FCC certification of the computer. The brackets keep dust and dirt out of your computer and maintain the airflow that cools your computer.
 6. Re-seat the card retention mechanism in the tabs and pivot downward to snap it into place.
 **NOTICE:** To connect a network cable, first plug the cable into the network wall jack and then plug it into the computer.
 7. Lower the retention arm and press it into place.
 8. Secure the card(s) by closing the card retention latch and snapping it into place.
 9. Replace the computer cover (see [Replacing the Computer Cover](#)), reconnect the computer and devices to electrical outlets, and then turn them on.
-

[Back to Contents Page](#)

Dell™ OptiPlex™ 745 User's Guide

Processor

Processor

CAUTION: Before you begin any of the procedures in this section, follow the safety instructions located in the *Product Information Guide*.

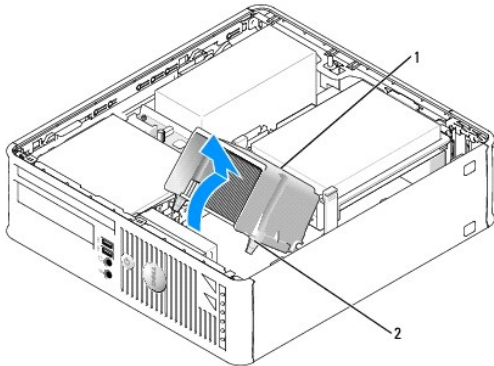
NOTICE: To prevent static damage to components inside your computer, discharge static electricity from your body before you touch any of your computer's electronic components. You can do so by touching an unpainted metal surface on the computer chassis.

Removing the Processor

1. Follow the procedures in [Before You Begin](#).
2. Loosen the captive screw on each side of the heat sink assembly.

CAUTION: Despite having a plastic shield, the heat sink assembly may be very hot during normal operation. Be sure that it has had sufficient time to cool before you touch it.

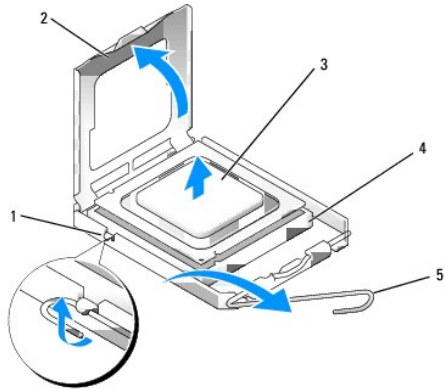
3. Rotate the heat sink assembly upward, and remove the assembly from the computer. Lay the heat sink down on its top, with the thermal grease facing upward.



1	heat sink assembly
2	captive screws in housing (2)

NOTICE: Unless a new heatsink is required for the new processor, reuse the original heat sink assembly when you replace the processor.

4. Open the processor cover by sliding the release lever from under the center cover latch on the socket. Then, pull the lever back to release the processor.



1	center cover latch
2	processor cover
3	processor
4	socket
5	release lever

➡ **NOTICE:** When replacing the processor, do not touch any of the pins inside the socket or allow any objects to fall on the pins in the socket.

5. Gently remove the processor from the socket.

Leave the release lever extended in the release position so that the socket is ready for the new processor.

Installing the Processor

➡ **NOTICE:** Ground yourself by touching an unpainted metal surface on the back of the computer.

➡ **NOTICE:** When replacing the processor, do not touch any of the pins inside the socket or allow any objects to fall on the pins in the socket.

1. Follow the procedures in [Before You Begin](#).

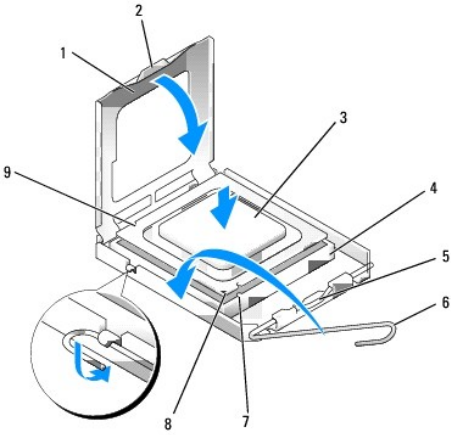
2. Unpack the new processor, being careful not to touch the underside of the processor.

➡ **NOTICE:** You must position the processor correctly in the socket to avoid permanent damage to the processor and the computer when you turn on the computer.

3. If the release lever on the socket is not fully extended, move it to that position.

4. Orient the front and rear alignment-notches on the processor with the front and rear alignment-notches on the socket.

5. Align the pin-1 corners of the processor and socket.



1	processor cover	6	release lever
2	tab	7	front alignment-notch
3	processor	8	socket and processor pin-1 indicator
4	processor socket	9	rear alignment-notch
5	center cover latch		

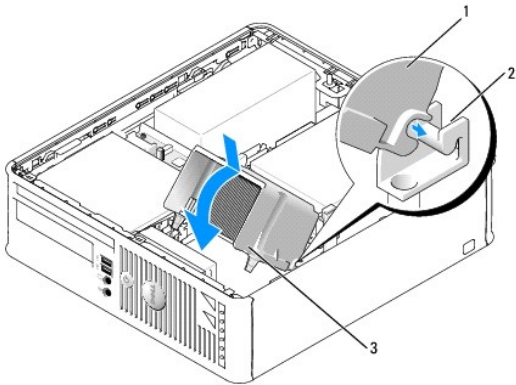
➔ **NOTICE:** To avoid damage, ensure that the processor aligns properly with the socket, and do not use excessive force when you install the processor.

6. Set the processor lightly in the socket and ensure that the processor is positioned correctly.
7. When the processor is fully seated in the socket, close the processor cover.
Ensure that the tab on the processor cover is positioned underneath the center cover latch on the socket.
8. Pivot the socket release lever back toward the socket and snap it into place to secure the processor.
9. Clean the thermal grease from the bottom of the heat sink.

➔ **NOTICE:** Ensure that you apply new thermal grease. New thermal grease is critical for ensuring adequate thermal bonding, which is a requirement for optimal processor operation.

10. Apply the new thermal grease to the top of the processor.
11. Install the heat sink assembly:
 - a. Place the heat sink assembly back onto the heat-sink assembly bracket.
 - b. Rotate the heat sink assembly down towards the computer base and tighten the two captive screws.

➔ **NOTICE:** Ensure that the heat sink is correctly seated and secure.



1	heat sink assembly
2	heat-sink assembly bracket
3	captive screw in housing (2)

12. Replace the computer cover (see [Replacing the Computer Cover](#)).

[Back to Contents Page](#)

[Back to Contents Page](#)

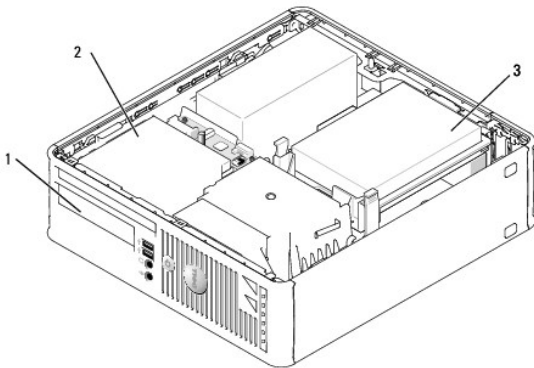
Drives

Dell™ OptiPlex™ 745 User's Guide

- [Hard Drive](#)
- [Replacing a Hard-Drive Fan \(Only Required for Certain Configurations\)](#)
- [Optical Drive](#)
- [Floppy Drive and Media Card Reader](#)

Your computer supports:

- 1 One SATA (serial ATA) drive
- 1 One floppy drive or Media Card Reader
- 1 One SATA optical drive



1	FlexBay for optional floppy drive or Media Card Reader
2	optical drive
3	hard drive

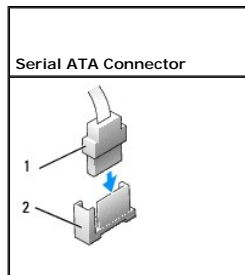
General Installation Guidelines

Connect a SATA hard drive or optical drive to a connector labeled "SATA" on the system board (see [System Board Components](#)).

Connecting Drive Cables

When you install a drive, you connect two cables—a DC power cable and a data cable—to the back of the drive.

Drive Interface Connectors

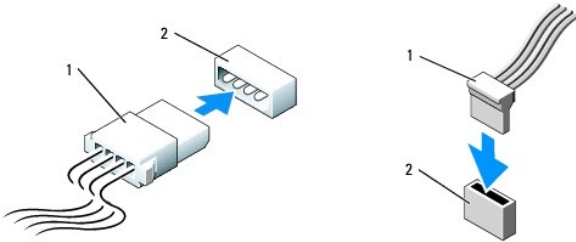


1	interface cable connector
2	interface connector

Most interface connectors are keyed for correct insertion; that is, a notch or a missing pin on one connector matches a tab or a filled-in hole on the other connector. Keyed connectors ensure that the pin-1 wire in the cable (indicated by the colored stripe along one edge of certain cables—SATA cables do not use a colored stripe) goes to the pin-1 end of the connector. The pin-1 end of a connector on a board or a card is usually indicated by a silk-screened "1" printed directly on the board or card.

➡ **NOTICE:** Inserting a cable incorrectly prevents the drive from operating and could damage the controller, the drive, or both.

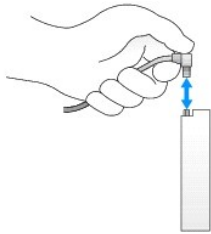
Power Cable Connectors



1	power cable
2	power input connector

Connecting and Disconnecting Drive Cables

When connecting and disconnecting a SATA data cable, hold the cable by the black connector at each end. SATA interface connectors are keyed for correct insertion; that is, a notch or a missing pin on one connector matches a tab or a filled-in hole on the other connector.



Hard Drive

⚠ **CAUTION:** Before you begin any of the procedures in this section, follow the safety instructions in the *Product Information Guide*.

⚠ **CAUTION:** To guard against electrical shock, always unplug your computer from the electrical outlet before removing the computer cover.

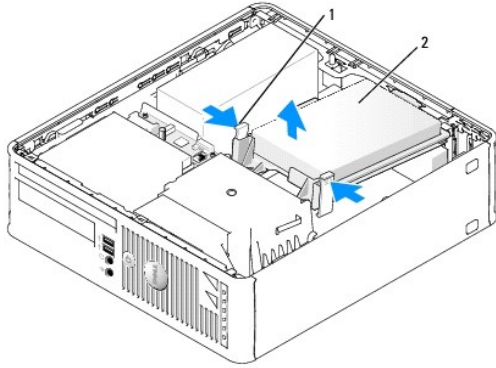
➡ **NOTICE:** To avoid damage to the drive, do not set it on a hard surface. Instead, set the drive on a surface, such as a foam pad, that will sufficiently cushion it.

Removing a Hard Drive

1. If you are replacing a hard drive that contains data you want to keep, back up your files before you begin this procedure.
2. Check the documentation for the drive to verify that it is configured for your computer.
3. Follow the procedures in [Before You Begin](#).
4. Lay the computer on its side so that the system board is on the bottom of the inside of the computer.
5. Press in on the two blue securing tabs on each side of the drive and slide the drive up and out of the computer.

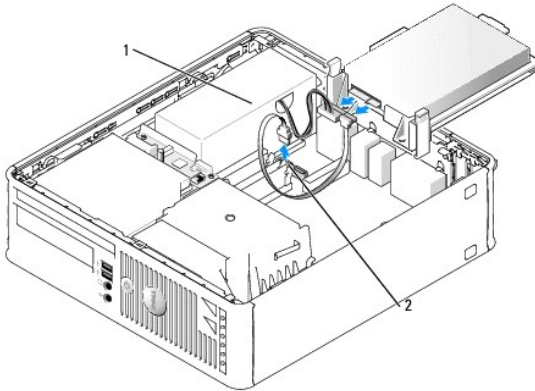
➡ **NOTICE:** Do not pull the drive out of the computer by the drive cables. Doing so may cause damage to cables and the cable connectors.

6. Lift the drive out of the computer, careful not to pull the cables still attached to it.



1	securing tabs (2)
2	hard drive

7. Disconnect the power and data cable from the drive.



1	power cable
2	SATA data cable

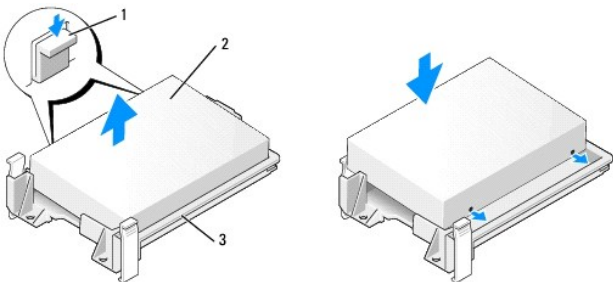
Installing a Hard Drive

1. Check the documentation for the drive to verify that it is configured for your computer.

⚠ **NOTICE:** To avoid damage to the drive, do not set it on a hard surface. Instead, set the drive on a surface, such as a foam pad, that will sufficiently cushion it.

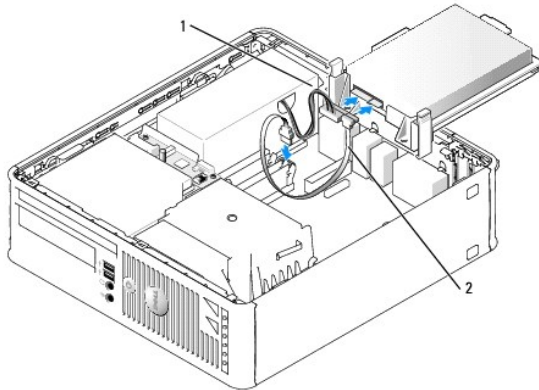
2. Unpack the replacement hard drive, and prepare it for installation.

3. If your replacement hard drive does not have the plastic drive bracket attached, remove the bracket from the existing drive by unsnapping it from the drive.



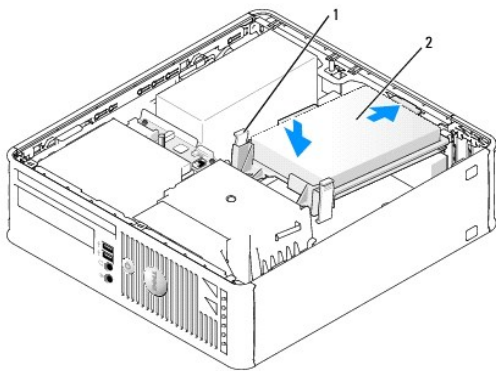
1	release tabs (2)
2	drive
3	hard drive bracket

4. Connect the power and data cables to the drive.



1	power cable
2	S ATA data cable

5. Check all connectors to ensure that they are properly cabled and firmly seated.
6. Gently position the drive until it clicks into place.



1	release tabs (2)
2	hard drive

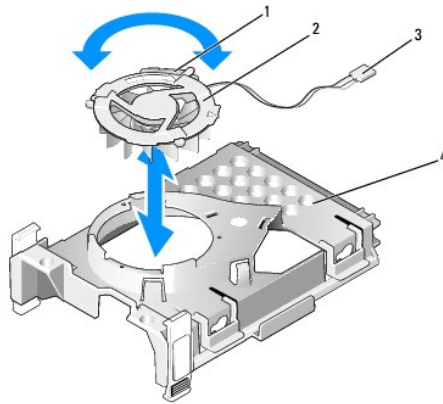
7. Check all connectors to be certain that they are properly cabled and firmly seated.
8. Replace the computer cover (see [Replacing the Computer Cover](#)).
9. If the drive you just installed is the primary drive, insert bootable media into your boot drive.
10. Turn on the computer.
11. Enter system setup (see [Entering System Setup](#)) and update the appropriate **Primary Drive** option (**0** or **2**).
12. Exit system setup, and reboot the computer.
13. Partition and logically format your drive before you proceed to the next step.
For instructions, see the documentation that came with your operating system.
14. Test the hard drive by running the Dell Diagnostics (see [Dell Diagnostics](#)).

15. Install your operating system on the hard drive.

For instructions, see the documentation that came with your operating system.

Replacing a Hard-Drive Fan (Only Required for Certain Configurations)

1. Follow the instructions in [Before You Begin](#).
2. Remove the hard drive (see [Removing a Hard Drive](#)).
3. Turn the hard drive upside down, so that the hard-drive fan is visible in the bottom of the drive bracket.
4. To remove the hard-drive fan:
 - a. Unplug the fan.
 - b. Lift the release tab on the back panel of the fan.
 - c. Rotate the fan in the opposite direction from that indicated by the arrow on the back panel of the fan.
 - d. Lift to remove the fan and its back panel from the hard-drive bracket.



1	fan release tab
2	fan with fan back panel
3	power cable
4	hard-drive bracket

5. To replace the hard-drive fan:
 - a. Align the two pegs and the tab on the fan's back panel with the two corresponding peg holes and the slot in the fan itself and press the fan and its back panel together
 - b. Turn the fan upside-down, so that its backing faces up and align the triangle on the fan's back panel with the corresponding triangle on the back of the hard-drive bracket.
 - c. Rotate the fan and its backing in the direction of the arrow on the fan's back panel.
-

Optical Drive

⚠ CAUTION: Before you begin any of the procedures in this section, follow the safety instructions in the *Product Information Guide*.

⚠ CAUTION: To guard against electrical shock, always unplug your computer from the electrical outlet before removing the computer cover.

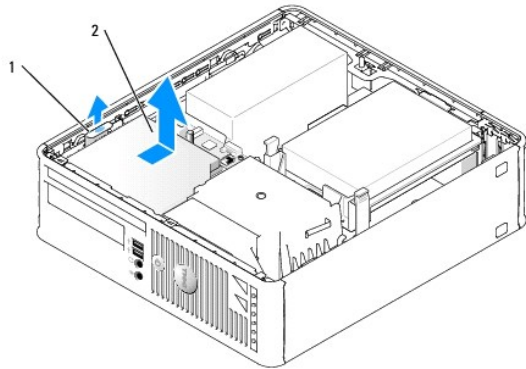
Removing an Optical Drive

1. Follow the procedures in [Before You Begin](#).

2. Lay the computer on its side so that the system board is on the bottom of the inside of the computer.

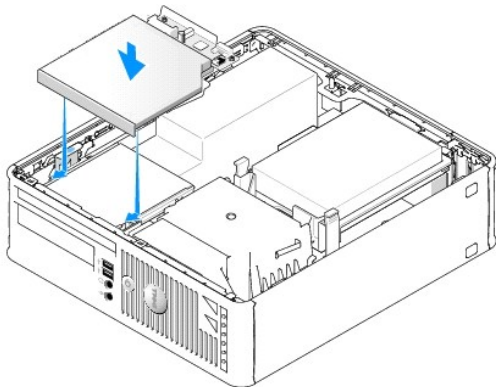
NOTICE: Do not pull the drive out of the computer by the drive cables. Doing so may cause damage to cables and the cable connectors.

3. Pull up on the drive release latch and slide the drive towards the back of the computer. Then lift up to remove the drive from the computer.

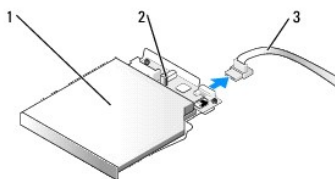


1	drive release latch
2	optical drive

4. Disconnect the data cable from the system board connector (see [System Board Components](#)).



5. Disconnect the data cable from the back of the drive.



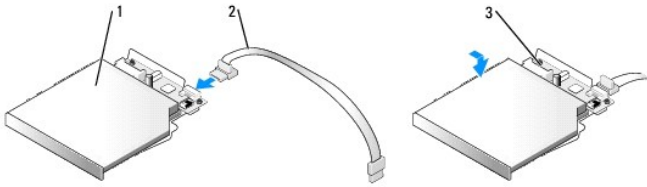
1	optical drive
2	drive bracket
3	data cable

Installing an Optical Drive

1. Unpack the drive and prepare it for installation.

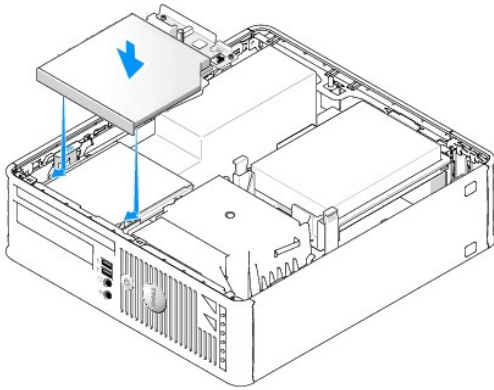
Check the documentation that accompanied the drive to verify that the drive is configured for your computer.

2. Connect the data cable to the drive.



1	optical drive
2	data cable
3	drive bracket

3. Gently position the drive until it clicks into place.



4. Check all cable connections, and fold cables out of the way to provide airflow for the fan and cooling vents.
5. Replace the computer cover (see [Replacing the Computer Cover](#)).
6. See the documentation that came with the drive for instructions on installing any software required for drive operation.
7. Enter system setup and select the appropriate **Drive** option (see [Entering System Setup](#)).
8. Verify that your computer works correctly by running the Dell Diagnostics (see [Dell Diagnostics](#)).

Floppy Drive and Media Card Reader

⚠ CAUTION: Before you begin any of the procedures in this section, follow the safety instructions in the *Product Information Guide*.

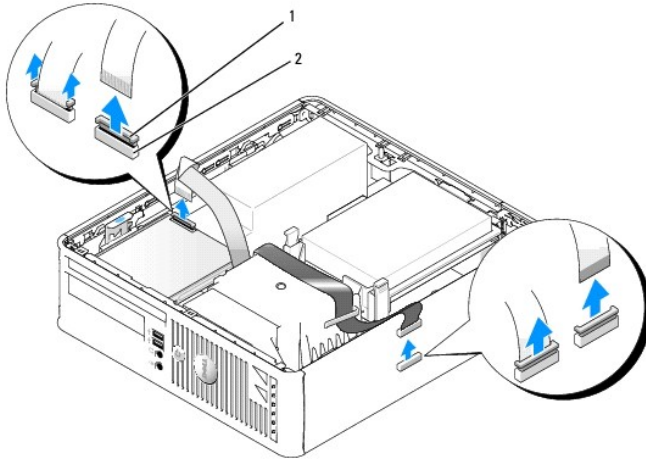
⚠ CAUTION: To guard against electrical shock, always unplug your computer from the electrical outlet before removing the computer cover.

Removing a Floppy Drive or Media Card Reader

1. Follow the procedures in [Before You Begin](#).
2. Lay the computer on its side so that the system board is on the bottom of the inside of the computer.
3. Remove the optical drive and carefully set it aside (see [Optical Drive](#)).

👉 NOTICE: Do not pull the drive out of the computer by the drive cables. Doing so may cause damage to cables and the cable connectors.

4. If you are removing a floppy drive, pull up the cable release tab to unlock it.
5. Disconnect the data cable from the back of the floppy drive or Media Card Reader.

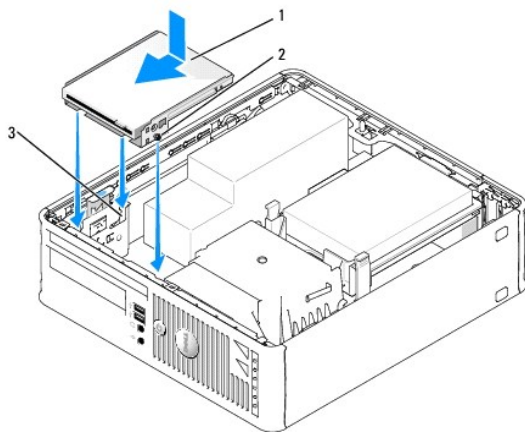


1	cable release tab
2	data-cable edge connector

6. If you are removing a floppy drive, pull up the cable release tab to unlock it.
7. Disconnect the data cable from the system board.
8. Pull up on the drive release latch and slide the floppy drive or Media Card Reader towards the back of the computer. Then lift up to remove the drive or Media Card Reader from the computer.

Installing a Floppy Drive or Media Card Reader

NOTE: In the event that the replacement or new floppy drive does not have the shoulder screws, use the screws located within the drive-panel insert.



1	floppy drive or Media Card Reader
2	screws (3)
3	bracket rails (3)

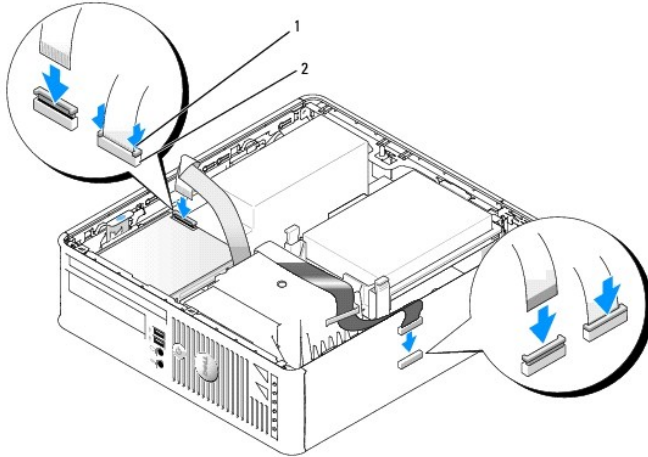
1. If you are replacing a drive, remove the floppy drive or Media Card Reader (see [Floppy Drive and Media Card Reader](#)).
2. Align the screws on the drive or Media Card Reader with the bracket rails in the computer, and gently position the drive until it clicks into place.

3. If you are installing a floppy drive, insert the data cable into the cable release tab on the floppy drive and press down on the tab until it clicks to lock it in place.

If you are installing a Media Card Reader, insert the cable into the connector on the Media Card Reader.

4. If you are installing a floppy drive, insert the data cable into the cable release tab on the system board and press down on the tab until it clicks to lock it in place.

If you are installing a Media Card Reader, connect the cable to the system board connector labeled "USB."



1	cable release tab
2	floppy drive data-cable edge connector

5. Check all cable connections, and fold cables out of the way to provide airflow for the fan and cooling vents.
6. Replace the optical drive (see [Optical Drive](#)).
7. Check all cable connections, and fold cables out of the way to provide airflow for the fan and cooling vents.
8. Replace the computer cover (see [Replacing the Computer Cover](#)).
9. Enter and use the **Diskette Drive** option to enable your new floppy drive.
See the documentation that came with the drive for instructions on installing any software required for drive operation.
10. Verify that your computer works correctly by running the Dell Diagnostics (see [Dell Diagnostics](#)).

[Back to Contents Page](#)

I/O Panel

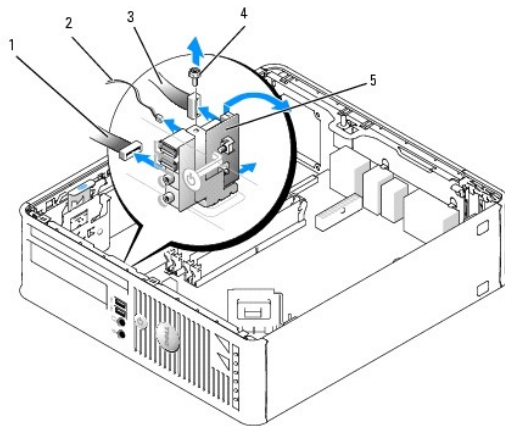
Removing the I/O Panel

⚠ CAUTION: Before you begin any of the procedures in this section, follow the safety instructions located in the *Product Information Guide*.

⚠ CAUTION: To guard against electrical shock, always unplug your computer from the electrical outlet before removing the computer cover.

1. Follow the procedures in [Before You Begin](#).
2. Remove the optical drive and floppy drive from the drive bays, if installed (see [Drives](#)).
3. Remove the processor heatsink (see [Processor](#)).
4. Remove the front fan:
Press the tab that secures the fan to the interior base of the computer and lift the fan from the computer; set the fan aside in the chassis.
5. Disconnect all cables that are connected to the I/O panel that you can access without removing the I/O panel.

Note the routing of the cables as you lay them aside, so that you can replace them correctly.



1	fan cable connector
2	air temperature sensor cable
3	I/O cable connector
4	screw
5	I/O panel

6. From inside the computer cover, remove the mounting screw that secures the I/O panel to the computer.
7. Ease the I/O panel back and forth to release its circular tabs from the two holes in the chassis that secure it.
8. Remove any remaining cables; note the routing of all cables, so that you can reroute them.
9. Remove the I/O panel from the computer.

Replacing the I/O Panel

1. To replace the I/O panel, follow the removal procedures in the reverse order.

 **NOTE:** Use the guides on the I/O panel bracket to help position the I/O panel in place and use the notch on the I/O panel bracket to help seat the card.

[Back to Contents Page](#)

Power Supply

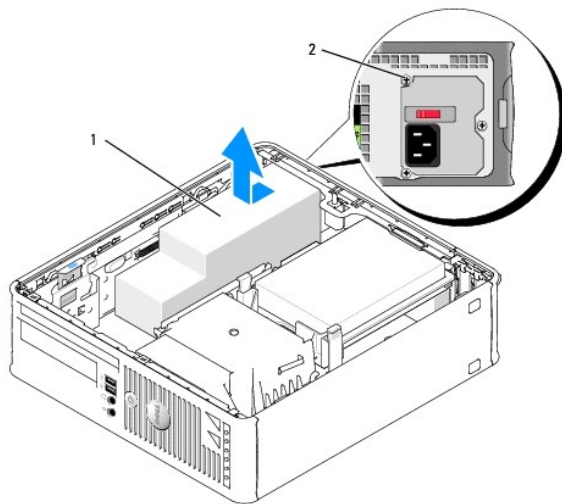
Replacing the Power Supply

⚠ CAUTION: Before you begin any of the procedures in this section, follow the safety instructions located in the *Product Information Guide*.

🔌 NOTICE: To prevent static damage to components inside your computer, discharge static electricity from your body before you touch any of your computer's electronic components. You can do so by touching an unpainted metal surface on the computer chassis.

1. Follow the procedures in [Before You Begin](#).
2. Remove the three screws that attach the power supply to the computer chassis.
3. Disconnect the DC power cables from the system board and the drives.

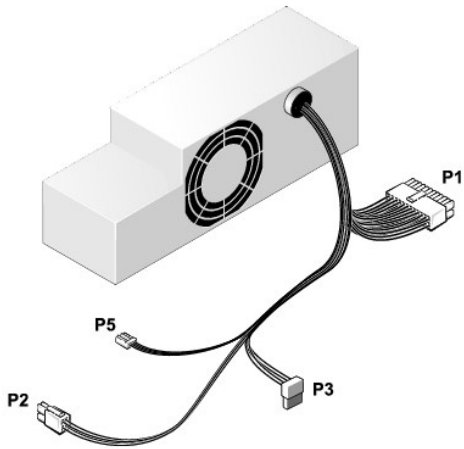
Note the routing of the DC power cables underneath the tabs in the computer frame as you remove them from the system board and drives. You must route these cables properly when you replace them to prevent their being pinched or crimped.



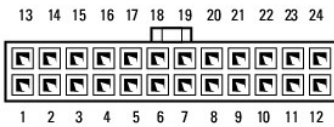
1	power supply
2	screw

4. Slide the power supply toward the front of the computer approximately 1 inch.
5. Lift the power supply up and out of the computer.
6. Slide the replacement power supply into place.
7. Reconnect the DC power cables.
8. Connect the AC power cable to the connector.
9. Close the computer cover.
- 🔌 **NOTICE:** To connect a network cable, first plug the cable into the network wall jack and then plug it into the computer.
10. Connect your computer and devices to electrical outlets, and turn them on.

DC Power Connectors



DC Power Connector P1



Pin Number	Signal name	18-AWG Wire
1	+3.3 VDC	Orange
2	+3.3 VDC	Orange
3	GND	Black
4	+5 VDC	Red
5	GND	Black
6	+5 VDC	Red
7	GND	Black
8	PS_PWRGOOD*	Gray
9	P5AUX	Purple
10	+12 VDC	Yellow
11	+12 VDC	Yellow
12	+3.3 VDC	Orange
13 (optional)	+3.3VDC/SE*	Orange
14	-12 VDC*	Blue
15	GND	Black
16	PWR_PS_ON	Green
17	GND	Black
18	GND	Black
19	GND	Black
20	NC	NC
21	+5 VDC	Red
22	+5 VDC	Red
23	+5 VDC	Red
24	GND	Black

*Use 22-AWG wire instead of 18-AWG wire.

DC Power Connector P2



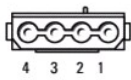
Pin Number	Signal Name	18-AWG Wire
1	GND	Black
2	GND	Black
3	+12 VDC	Yellow
4	+12 VDC	Yellow

DC Power Connectors P3



Pin Number	Signal name	18-AWG Wire
1	+3.3 VDC	Orange
2	GND	Black
3	+5 VDC	Red
4	GND	Black
5	+12 VDC	Yellow

DC Power Connector P5



Pin Number	Signal Name	24-AWG Wire
1	GND	Black
2	+5 VDC	Red
3	NA	NA
4	+3.3 VDC	Orange

Dell™ OptiPlex™ 745 User's Guide

● [Removing the Computer Cover](#)

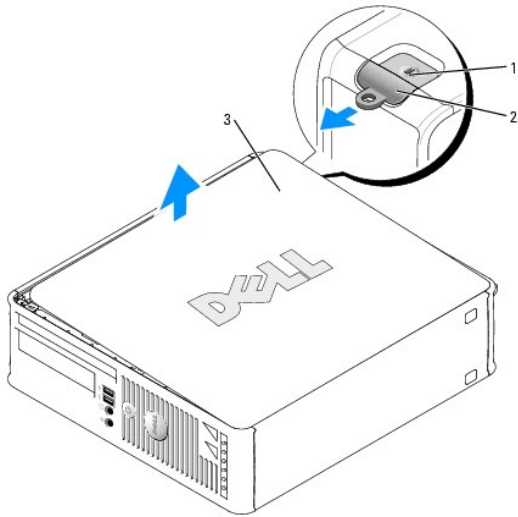
Removing the Computer Cover

⚠ CAUTION: Before you begin any of the procedures in this section, follow the safety instructions in the *Product Information Guide*.

⚠ CAUTION: To guard against electrical shock, always unplug your computer from the electrical outlet before removing the computer cover.

1. Follow the procedures in [Before You Begin](#).
2. If you have installed a padlock through the padlock ring on the back panel, remove the padlock.
3. Locate the cover release latch shown in the illustration. Then, slide the release latch back as you lift the cover.
4. Grip the sides of the computer cover and pivot the cover up using the bottom hinges as leverage points.
5. Remove the cover from the hinge tabs and set it aside on a soft nonabrasive surface.

⚠ CAUTION: Graphic card heatsinks can become very hot during normal operation. Ensure that a graphic card heatsink has had sufficient time to cool before you touch it.



1	security cable slot
2	cover release latch
3	computer cover

Dell™ OptiPlex™ 745 User's Guide

• [Small Form Factor Computer Specifications](#)

Small Form Factor Computer Specifications

Microprocessor	
Microprocessor type	Intel® Pentium® 4, Pentium® D, Celeron®, or Core™ processor
Internal cache	At least 512 KB pipelined-burst, eight-way set associative, write-back SRAM

Memory	
Type	533, 667, or 800 MHz DDR2 SDRAM NOTE: 2-GB 800-MHz memory modules are not supported.
Memory connectors	4
Memory modules supported	256 MB, 512 MB, 1 GB, or 2 GB non-ECC
Minimum memory	dual-channel: 512 MB; single-channel: 256 MB
Maximum memory	At 533 or 667 MHz: 8 GB At 800 MHz: 4 GB
BIOS address	F0000h

Computer Information	
Chipset	Intel® Q965 Express
Data bus width	64 bits
Address bus width	32 bits
DMA channels	eight
Interrupt levels	24
BIOS chip (NVRAM)	8 Mb
NIC	integrated network interface with ASF 1.03 and 2.0 support as defined by DMTF Capable of 10/100/1000 communication

Video	
Type	Intel® Graphics Media Accelerator 3000 or PCI Express x16 graphics card

Audio	
Type	ADI 1983 High Definition Audio
Stereo conversion	20-bit analog-to-digital; 20-bit digital-to-analog

Controllers	
Drives	two SATA controllers supporting one device each

Expansion Bus	
---------------	--

Bus type	PCI 2.3 PCI Express 1.0A SATA 1.0A and 2.0 USB 2.0
Bus speed	PCI: 133 MB/s PCI Express x16: 8 GB/s bidirectional speed SATA: 1.5 Gbps and 3.0 Gbps USB: 480 Mbps
Cards:	low-profile cards supported
PCI:	
connector	one
connector size	120 pins
connector data width (maximum)	32 bits
PCI Express:	
connector	one x16
power	25 W (maximum)
connector size	164 pins
connector data width (maximum)	16 PCI Express lanes

Drives	
Externally accessible	one bay for a slimline floppy drive; one bay for a slimline optical drive
Internally accessible	one bay for a 1-inch-high hard drive

Connectors	
External connectors:	
Serial	9-pin connector; 16550C-compatible
Parallel	25-hole connector (bidirectional)
Video	15-hole VGA connector
Network adapter	RJ45 connector
USB	two front-panel and six back-panel USB 2.0-compliant connectors
Audio	two connectors for line-in/ microphone and line-out; two front-panel connectors for headphones and microphone
System board connectors:	
Primary IDE drive	40-pin connector
internal USB	10-pin header for optional Media Card Reader (3.5-inch bay device)
SATA	two 7-pin connectors
Floppy drive	34-pin connector
Serial	12-pin connector for optional second serial port card
Fan	5-pin connector
PCI 2.2	120-pin connector
Front panel	40-pin connector

Key Combinations	
<Ctrl><Alt>	If you are running Microsoft® Windows® XP, brings up the Windows Security window; in MS-DOS® mode, restarts (reboots) the computer
<F2> or <Ctrl><Alt><Enter>	starts embedded system setup (during system start-up only)
<Ctrl><Alt>	automatically starts the computer from the network environment specified by the remote boot environment (PXE) rather than from one of the devices in the system setup Boot Sequence option (during system start-up only)
<F12> or <Ctrl><Alt><F8>	displays a boot device menu that allows the user to enter a device for a single boot (during system start-up only) as well as options to run hard-drive and system diagnostics

Controls and Lights

Power control	push button
Power light	green light — blinking green indicates sleep mode; solid green indicates power-on state. amber light — blinking amber indicates a problem with an installed device; solid amber indicates an internal power problem (see Power Problems).
Hard-drive access light	green
Link light	solid green light indicates network connection
Link integrity light (on integrated network adapter)	green light for 10-Mb operation; orange light for 100-Mb operation; yellow light for a 1000-Mb (1-Gb) operation
Activity light (on integrated network adapter)	yellow blinking light
Diagnostic lights	four lights on the front panel. See Diagnostic Lights .
Standby power light	AUX_PWR on the system board

Power	
DC power supply:	NOTE: Power consumption can be zero when the computer is unplugged.
Wattage	275 W
Heat dissipation	938 BTU/hr NOTE: Heat dissipation is calculated based upon the power supply rating.
Voltage	manual selection power supplies — 90 to 135 V at 50/60 Hz; 180 to 265 V at 50/60 Hz
Backup battery	3-V CR2032 lithium coin cell

Physical	
Height	9.26 cm (3.65 inches)
Width	31.37 cm (12.35 inches)
Depth	34.03 cm (13.40 inches)
Weight	7.4 kg (16.4 lb)

Environmental	
Temperature:	
Operating	10° to 35°C (50° to 95°F)
Storage	-40° to 65°C (-40° to 149°F)
Relative humidity	20% to 80% (noncondensing)
Maximum vibration:	
Operating	0.25 G at 3 to 200 Hz at 0.5 octave/min
Storage	0.5 G at 3 to 200 Hz at 1 octave/min
Maximum shock:	
Operating	bottom half-sine pulse with a change in velocity of 20 inches/sec (50.8 cm/sec)
Storage	27-G faired square wave with a velocity change of 200 inches/sec (508 cm/sec)
Altitude:	
Operating	-15.2 to 3048 m (-50 to 10,000 ft)
Storage	-15.2 to 10,668 m (-50 to 35,000 ft)

[Back to Contents Page](#)

Dell™ OptiPlex™ 745 User's Guide

Small Form Factor Computer






About Your Computer

[Finding Information](#)
[Small Form Factor Computer](#)
[Small Form Factor Computer Specifications](#)
[Advanced Features](#)
[Cleaning Your Computer](#)
[Reinstalling Drivers and the Operating System](#)
[Solving Problems](#)
[Microsoft® Windows® XP Features](#)
[Troubleshooting Tools and Utilities](#)
[Getting Help](#)
[Warranty](#)
[FCC Notices \(U.S. Only\)](#)
[Glossary](#)

Removing and Replacing Parts

[Before You Begin](#)
[Removing the Computer Cover](#)
[Chassis Intrusion Switch](#)
[I/O Panel](#)
[Drives](#)
[PCI and PCI Express Cards](#)
[Power Supply](#)
[Processor](#)
[Battery](#)
[Replacing the System Board](#)
[Memory](#)
[Replacing the Computer Cover](#)

Notes, Notices, and Cautions

-  **NOTE:** A NOTE indicates important information that helps you make better use of your computer.
-  **NOTICE:** A NOTICE indicates either potential damage to hardware or loss of data and tells you how to avoid the problem.
-  **CAUTION:** A CAUTION indicates a potential for property damage, personal injury, or death.

If you purchased a Dell™ n Series computer, any references in this document to Microsoft® Windows® operating systems are not applicable.

Information in this document is subject to change without notice.
© 2006 Dell Inc. All rights reserved.

Reproduction in any manner whatsoever without the written permission of Dell Inc. is strictly forbidden.

Trademarks used in this text: *Dell*, the *DELL* logo, *OptiPlex*, *Inspiron*, *Dimension*, *Latitude*, *Dell Precision*, *DellNet*, *TravelLite*, *Dell OpenManage*, *PowerVault*, *Axim*, *PowerEdge*, *PowerConnect*, and *PowerApp* are trademarks of Dell Inc.; *Intel*, *Pentium*, and *Celeron* are registered trademarks of Intel Corporation; *Microsoft*, *MS-DOS*, and *Windows* are registered trademarks of Microsoft Corporation; *IBM* is a registered trademark of International Business Machines Corporation; *Bluetooth* is a trademark owned by Bluetooth SIG, Inc. and is used by Dell Inc. under license. *ENERGY STAR* is a registered trademark of the U.S. Environmental Protection Agency. As an ENERGY STAR partner, Dell Inc. has determined that this product meets the ENERGY STAR guidelines for energy efficiency.

Other trademarks and trade names may be used in this document to refer to either the entities claiming the marks and names or their products. Dell Inc. disclaims any proprietary interest in trademarks and trade names other than its own.

Models: DCTR, DCNE, DCSM, and DCCY

June 2006 KH288 Rev. A00

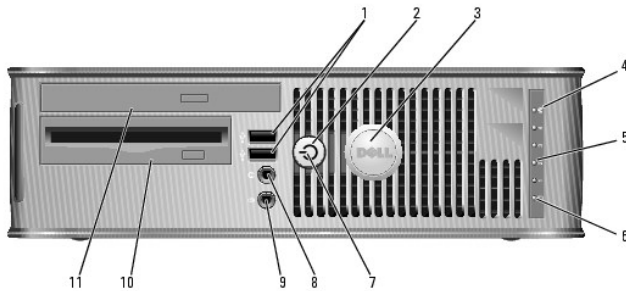
Small Form Factor Computer

Dell™ OptiPlex™ 745 User's Guide

- [About Your Small Form Factor Computer](#)
- [Inside Your Computer](#)

About Your Small Form Factor Computer

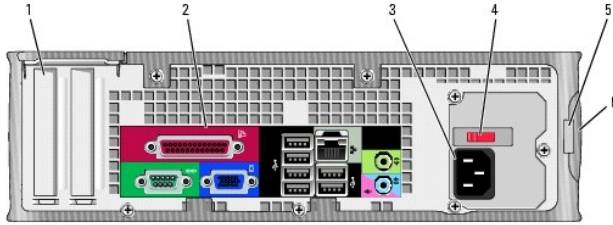
Front View



1	USB 2.0 connectors (2)	Use the front USB connectors for devices that you connect occasionally, such as joysticks or cameras, or for bootable USB devices (see System Setup for more information about booting to a USB device). It is recommended that you use the back USB connectors for devices that typically remain connected, such as printers and keyboards.
2	power button	Press to turn on the computer. NOTICE: To avoid losing data, do not turn off the computer by pressing the power button. Instead, perform an operating system shutdown. See Turning Off Your Computer for more information. NOTICE: If your operating system has ACPI enabled, when you press the power button the computer will perform an operating system shutdown.
3	Dell badge	Can be rotated to match the orientation of your computer. To rotate, place fingers around the outside of the badge, press firmly, and turn the badge. You can also rotate the badge using the slot provided near the bottom of the badge.
4	LAN indicator light	Indicates that a LAN (local area network) connection is established.
5	diagnostic lights	Use the lights to help you troubleshoot a computer problem based on the diagnostic code. For more information, see Diagnostic Lights .
6	hard drive activity light	This light flickers when the hard drive is being accessed.
7	power light	The power light illuminates and blinks or remains solid to indicate different operating states: <ul style="list-style-type: none"> 1 No light — The computer is turned off. 1 Steady green — The computer is in a normal operating state. 1 Blinking green — The computer is in a power-saving mode. 1 Blinking or solid amber — See Power Problems. <p>To exit from a power-saving mode, press the power button or use the keyboard or the mouse if it is configured as a wake device in the Windows Device Manager. For more information about sleep modes and exiting from a power-saving mode, see Power Management.</p> <p>See System Lights for a description of light codes that can help you troubleshoot problems with your computer.</p>
8	headphone connector	Use the headphone connector to attach headphones and most kinds of speakers.
9	microphone connector	Use the microphone connector to attach a microphone.

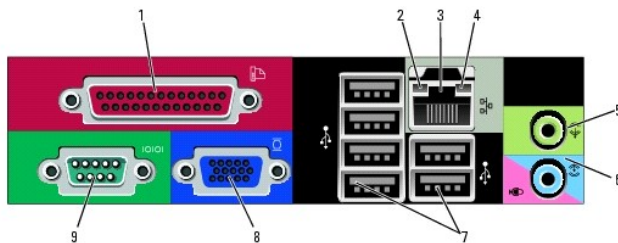
10	3.5-inch drive bay	Can contain an optional floppy drive or optional media card reader.
11	5.25-inch drive bay	Can contain an optical drive. Insert a CD or DVD (if supported) into this drive.

Back View



1	card slots	Access connectors for any installed PCI and PCI Express cards.
2	back-panel connectors	Plug serial, USB, and other devices into the appropriate connectors (see Back-Panel Connectors).
3	power connector	Insert the power cable.
4	voltage selection switch	Your computer is equipped with a manual voltage-selection switch. To help avoid damaging a computer with a manual voltage selection switch, set the switch for the voltage that most closely matches the AC power available in your location. NOTICE: In Japan, the voltage selection switch must be set to the 115-V position. Also, ensure that your monitor and attached devices are electrically rated to operate with the AC power available in your location.
5	padlock ring	Insert a padlock to the computer cover.
6	cover release latch	Allows you to open the computer cover.

Back-Panel Connectors



1	parallel connector	Connect a parallel device, such as a printer, to the parallel connector. If you have a USB printer, plug it into a USB connector. NOTE: The integrated parallel connector is automatically disabled if the computer detects an installed card containing a parallel connector configured to the same address. For more information, see System Setup Options .
2	link integrity light	<ul style="list-style-type: none"> 1 Green — A good connection exists between a 10-Mbps network and the computer. 1 Orange — A good connection exists between a 100-Mbps network and the computer. 1 Yellow — A good connection exists between a 1-Gbps (or 1000-Mbps) network and the computer. 1 Off — The computer is not detecting a physical connection to the network.
3	network adapter connector	To attach your computer to a network or broadband device, connect one end of a network cable to either a network jack or your network or broadband device. Connect the other end of the network cable to the network adapter connector on the back panel of your computer. A click

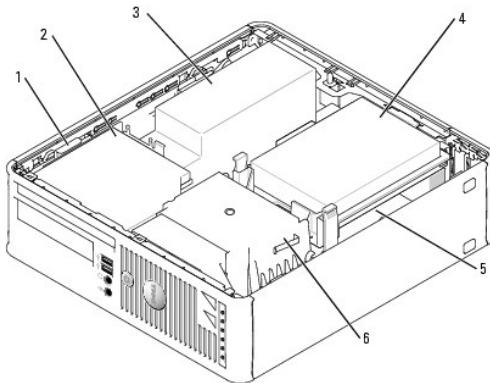
		<p>indicates that the network cable has been securely attached.</p> <p>NOTE: Do not plug a telephone cable into the network connector.</p> <p>On computers with a network connector card, use the connector on the card.</p> <p>It is recommended that you use Category 5 wiring and connectors for your network. If you must use Category 3 wiring, force the network speed to 10 Mbps to ensure reliable operation.</p>
4	network activity light	Flashes a yellow light when the computer is transmitting or receiving network data. A high volume of network traffic may make this light appear to be in a steady "on" state.
5	line-out connector	<p>Use the green line-out connector (available on computers with integrated sound) to attach headphones and most speakers with integrated amplifiers.</p> <p>On computers with a sound card, use the connector on the card.</p>
6	line-in/microphone connector	<p>Use the blue and pink line-in/microphone connector (available on computers with integrated sound) to attach a record/playback device such as a cassette player, CD player, or VCR; or a personal computer microphone for voice or musical input into a sound or telephony program.</p> <p>On computers with a sound card, the microphone connector is on the card.</p>
7	USB 2.0 connectors (6)	Use the back USB connectors for devices that typically remain connected, such as printers and keyboards.
8	video connector	<p>Plug the cable from your VGA-compatible monitor into the blue connector.</p> <p>NOTE: If you purchased an optional graphics card, this connector will be covered by a cap. Connect your monitor to the connector on the graphics card. Do not remove the cap.</p> <p>NOTE: If you are using a graphics card that supports dual monitors, use the y-cable that came with your computer.</p>
9	serial connector	<p>Connect a serial device, such as a handheld device, to the serial port. The default designations are COM1 for serial connector 1 and COM2 for serial connector 2.</p> <p>For more information, see System Setup Options.</p>

Inside Your Computer

⚠ CAUTION: Before you begin any of the procedures in this section, follow the safety instructions in the *Product Information Guide*.

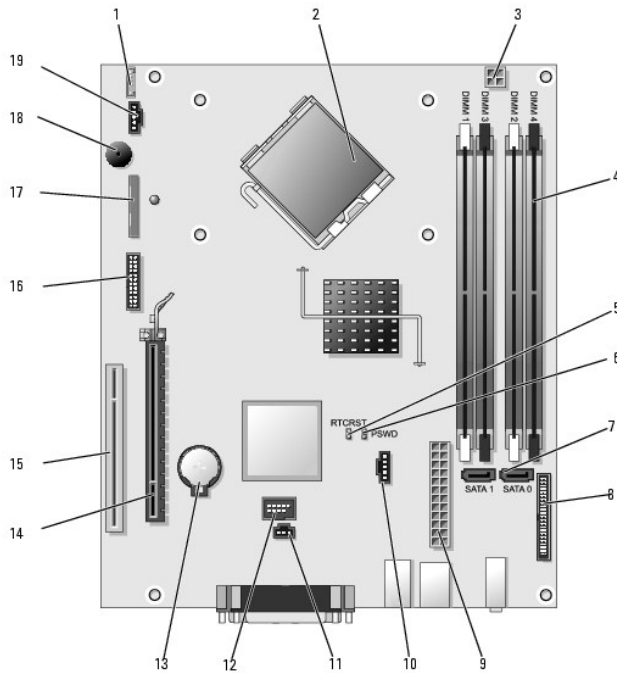
⚠ CAUTION: To avoid electrical shock, always unplug your computer from the electrical outlet before removing the computer cover.

👉 NOTICE: Be careful when opening the computer cover to ensure that you do not accidentally disconnect cables from the system board.



1	drive-release latch	4	hard drive
2	optical drive	5	system board
3	power supply and fan	6	heat sink and blower assembly

System Board Components




1	internal speaker connector (INT_SPKR)	11	intrusion switch connector (INTRUDER)
2	processor connector (CPU)	12	internal USB connector (USB)
3	processor power connector (12VPOWER)	13	battery socket (BATT)
4	memory module connectors (DIMM_1, DIMM_2, DIMM_3, DIMM_4)	14	PCI Express x16 connector (SLOT1)
5	RTC reset jumper (RTCST)	15	PCI connector (SLOT2)
6	password jumper (PSWD)	16	serial connector (SER2)
7	SATA connectors (SATA0, SATA1)	17	floppy drive connector (DSKT)
8	front-panel connector (FNT_PANEL)	18	system board speaker (BEEP)
9	power connector (POWER)	19	fan connector (FAN)
10	fan connector (FAN2)		


[Back to Contents Page](#)


Reinstalling Drivers and the Operating System

Dell™ OptiPlex™ 745 User's Guide

- [Drivers](#)
- [Using Microsoft® Windows® XP System Restore](#)
- [Reinstalling Microsoft Windows XP](#)

 **CAUTION:** Before you begin any of the procedures in this section, follow the safety instructions in the *Product Information Guide*.

 **NOTICE:** You must use Microsoft® Windows® XP Service Pack 1 or later when you reinstall the Microsoft Windows XP operating system.

 **NOTE:** If you installed a unique image on your computer or if you had to reinstall your operating system, run the DSS utility. DSS is available on your optional [Drivers and Utilities CD \(also known as ResourceCD\)](#) and at [support.dell.com](#).


Drivers

What Is a Driver?

A driver is a program that controls a device such as a printer, mouse, or keyboard. All devices require a driver program.

A driver acts like a translator between the device and any other programs that use the device. Each device has its own set of specialized commands that only its driver recognizes.

Dell ships your computer to you with required drivers already installed—no further installation or configuration is needed.

 **NOTICE:** The optional *Drivers and Utilities* CD may contain drivers for operating systems that are not on your computer. Ensure that you are installing software appropriate for your operating system.

Many drivers, such as the keyboard driver, come with your Microsoft Windows operating system. You may need to install drivers if you:

- 1 Upgrade your operating system.
- 1 Reinstall your operating system.
- 1 Connect or install a new device.


Identifying Drivers


If you experience a problem with any device, identify whether the driver is the source of your problem and, if necessary, update the driver.

1. Click the **Start** button and click **Control Panel**.
2. Under **Pick a Category**, click **Performance and Maintenance**.
3. Click **System**.
4. In the **System Properties** window, click the **Hardware** tab.
5. Click **Device Manager**.
6. Scroll down the list to see if any device has an exclamation point (a yellow circle with a [!]) on the device icon.

If an exclamation point is next to the device name, you may need to reinstall the driver (see [Reinstalling Drivers and Utilities](#)) or install a new driver.

Reinstalling Drivers and Utilities

 **NOTICE:** The Dell Support website at [support.dell.com](#) and your *Drivers and Utilities* CD provide approved drivers for Dell™ computers. If you install drivers obtained from other sources, your computer might not work correctly.

 **NOTE:** The *Drivers and Utilities* CD (ResourceCD) is optional, and as such, may not ship with certain computers.

Using Windows XP Device Driver Rollback



If a problem occurs on your computer after you install or update a driver, use Windows XP Device Driver Rollback to replace the driver with the previously installed version.

1. Click the **Start** button and click **Control Panel**.
2. Under **Pick a Category**, click **Performance and Maintenance**.
3. Click **System**.
4. In the **System Properties** window, click the **Hardware** tab.
5. Click **Device Manager**.
6. Right-click the device for which the new driver was installed and click **Properties**.
7. Click the **Drivers** tab.
8. Click **Roll Back Driver**.

If Device Driver Rollback does not resolve the problem, then use System Restore (see [Enabling System Restore](#)) to return your computer to the operating state that existed before you installed the new driver.

Using the Optional Drivers and Utilities CD

If using Device Driver Rollback or System Restore (see [Using Microsoft® Windows® XP System Restore](#)) does not resolve the problem, then reinstall the driver from the *Drivers and Utilities* CD (also known as the ResourceCD).

-  **NOTE:** The *Drivers and Utilities* CD (ResourceCD) is optional, and as such, may not ship with all computers.
-  **NOTE:** To access device drivers and user documentation, you must use the *Drivers and Utilities* CD while your computer is running Windows.

1. Insert the *Drivers and Utilities* CD.

If this is your first time to use the *Drivers and Utilities* CD, the **Installation** window opens to inform you that the CD will begin the installation. Click **OK** and respond to the installation program prompts to complete the installation.

2. Click **Next** at the **Welcome Dell System Owner** screen.
3. Choose the appropriate selections for **System Model**, **Operating System**, **Device Type**, and **Topic**.
4. Click **My Drivers** in the **Topic** drop-down menu.

The *Drivers and Utilities* CD scans your computer's hardware and operating system and then displays a list of device drivers for your system configuration.


5. Click the appropriate driver and follow the instructions to download the driver for your computer.

To view a list of all available drivers for your computer, click **Drivers** in the **Topic** drop-down menu.

To access the help files on the *Drivers and Utilities* CD, click the question mark button or the **Help** link at the top of the screen.

Using Microsoft® Windows® XP System Restore


The Microsoft Windows XP operating system provides System Restore to allow you to return your computer to an earlier operating state (without affecting data files) if changes to the hardware, software, or other system settings have left the computer in an undesirable operating state. See the Windows Help and Support Center for information on using System Restore. For information on accessing the Windows Help and Support Center, see [Finding Information](#).

-  **NOTE:** Make regular backups of your data files. System Restore does not monitor your data files or recover them.

Creating a Restore Point

1. Click the **Start** button and click **Help and Support**.
2. Click **System Restore**.
3. Follow the instructions on the screen.

Restoring the Computer to an Earlier Operating State

 **NOTICE:** Before you restore the computer to an earlier operating state, save and close any open files and exit any open programs. Do not alter, open, or delete any files or programs until the system restoration is complete.

1. Click the **Start** button, point to **All Programs**→ **Accessories**→ **System Tools**, and then click **System Restore**.
2. Ensure that **Restore my computer to an earlier time** is selected and click **Next**.
3. Click a calendar date to which you want to restore your computer.

The **Select a Restore Point** screen provides a calendar that allows you to see and select restore points. All calendar dates with available restore points appear in boldface type.

4. Select a restore point and click **Next**.

If a calendar date has only one restore point, then that restore point is automatically selected. If two or more restore points are available, click the restore point that you prefer.


5. Click **Next**.

The **Restoration Complete** screen appears after System Restore finishes collecting data and then the computer restarts.

6. After the computer restarts, click **OK**.

To change the restore point, you can either repeat the steps using a different restore point, or you can undo the restoration.

Undoing the Last System Restore

 **NOTICE:** Before you undo the last system restore, save and close all open files and exit any open programs. Do not alter, open, or delete any files or programs until the system restoration is complete.

1. Click the **Start** button, point to **All Programs**→ **Accessories**→ **System Tools**, and then click **System Restore**.
2. Click **Undo my last restoration** and click **Next**.
3. Click **Next**.

The **System Restore** screen appears and the computer restarts.

4. After the computer restarts, click **OK**.

Enabling System Restore

If you reinstall Windows XP with less than 200 MB of free hard-disk space available, System Restore is automatically disabled. To see if System Restore is enabled:

1. Click the **Start** button and click **Control Panel**.
2. Click **Performance and Maintenance**.
3. Click **System**.
4. Click the **System Restore** tab.
5. Ensure that **Turn off System Restore** is unchecked.

Reinstalling Microsoft Windows XP

 **NOTICE:** You must use Windows XP Service Pack 1 or later when you reinstall your operating system.

Before You Begin

If you are considering reinstalling the Windows XP operating system to correct a problem with a newly installed driver, first try using Windows XP Device Driver Rollback (see [Using Windows XP Device Driver Rollback](#)). If Device Driver Rollback does not resolve the problem, then use System Restore to return your operating system to the operating state it was in before you installed the new device driver (see [Using Microsoft® Windows® XP System Restore](#)).

- ➔ **NOTICE:** Before performing the installation, back up all data files on your primary hard drive. For conventional hard drive configurations, the primary hard drive is the first drive detected by the computer.

To reinstall Windows XP, you need the following items:

- 1 Dell™ *Operating System* CD
- 1 Dell *Drivers and Utilities* CD

- 📎 **NOTE:** The *Drivers and Utilities* CD contains drivers that were installed during assembly of the computer. Use the *Drivers and Utilities* CD to load any required drivers.

Reinstalling Windows XP

To reinstall Windows XP, perform all the steps in the following sections in the order in which they are listed.

The reinstallation process can take 1 to 2 hours to complete. After you reinstall the operating system, you must also reinstall the device drivers, virus protection program, and other software.

- ➔ **NOTICE:** The *Operating System* CD provides options for reinstalling Windows XP. The options can overwrite files and possibly affect programs installed on your hard drive. Therefore, do not reinstall Windows XP unless a Dell technical support representative instructs you to do so.
- ➔ **NOTICE:** To prevent conflicts with Windows XP, disable any virus protection software installed on your computer before you reinstall Windows XP. See the documentation that came with the software for instructions.

Booting From the Operating System CD

1. Save and close any open files and exit any open programs.
2. Insert the *Operating System* CD. Click **Exit** if **Install Windows XP** message appears.
3. Restart the computer.
4. Press <F12> immediately after the DELL™ logo appears.
If the operating system logo appears, wait until you see the Windows desktop, and then shut down the computer and try again.
5. Press the arrow keys to select **CD-ROM**, and press <Enter>.
6. When the **Press any key to boot from CD** message appears, press any key.

Windows XP Setup

1. When the **Windows XP Setup** screen appears, press <Enter> to select **To set up Windows now**.
2. Read the information on the **Microsoft Windows Licensing Agreement** screen, and press <F8> to accept the license agreement.
3. If your computer already has Windows XP installed and you want to recover your current Windows XP data, type **r** to select the repair option, and remove the CD.
4. If you want to install a new copy of Windows XP, press <Esc> to select that option.
5. Press <Enter> to select the highlighted partition (recommended), and follow the instructions on the screen.

The **Windows XP Setup** screen appears, and the operating system begins to copy files and install the devices. The computer automatically restarts multiple times.


- ➔ **NOTICE:** Do not press any key when the following message appears: **Press any key to boot from the CD**.

- 📎 **NOTE:** The time required to complete the setup depends on the size of the hard drive and the speed of your computer.

6. When the **Regional and Language Options** screen appears, select the settings for your location and click **Next**.
7. Enter your name and organization (optional) in the **Personalize Your Software** screen, and click **Next**.
8. At the **Computer Name and Administrator Password** window, enter a name for your computer (or accept the one provided) and a password, and click **Next**.

9. If the **Modem Dialing Information** screen appears, enter the requested information and click **Next**.
10. Enter the date, time, and time zone in the **Date and Time Settings** window, and click **Next**.
11. If the **Networking Settings** screen appears, click **Typical** and click **Next**.
12. If you are reinstalling Windows XP Professional and you are prompted to provide further information regarding your network configuration, enter your selections. If you are unsure of your settings, accept the default selections.

Windows XP installs the operating system components and configures the computer. The computer automatically restarts.

 **NOTICE:** Do not press any key when the following message appears: *Press any key to boot from the CD.*

13. When the **Welcome to Microsoft** screen appears, click **Next**.
14. When the *How will this computer connect to the Internet?* message appears, click **Skip**.
15. When the **Ready to register with Microsoft?** screen appears, select **No, not at this time** and click **Next**.
16. When the **Who will use this computer?** screen appears, you can enter up to five users.
17. Click **Next**.
18. Click **Finish** to complete the setup, and remove the CD.
19. Reinstall the appropriate drivers with the *Drivers and Utilities* CD (see [Using the Optional Drivers and Utilities CD](#)).
20. Reinstall your virus protection software.
21. Reinstall your programs.

 **NOTE:** To reinstall and activate your Microsoft Office or Microsoft Works Suite programs, you need the Product Key number located on the back of the Microsoft Office or Microsoft Works Suite CD sleeve.

[Back to Contents Page](#)

[Back to Contents Page](#)

Solving Problems

Dell™ OptiPlex™ 745 User's Guide

- [Troubleshooting Tips](#)
- [Battery Problems](#)
- [Card Problems](#)
- [Drive Problems](#)
- [E-Mail, Modem, and Internet Problems](#)
- [Keyboard Problems](#)
- [Fan Problems](#)
- [Lockups and Software Problems](#)
- [Media Card Reader Problems](#)
- [Memory Problems](#)
- [Mouse Problems](#)
- [Network Problems](#)
- [Power Problems](#)
- [Printer Problems](#)
- [Restoring Default Settings](#)
- [Serial or Parallel Device Problems](#)
- [Sound and Speaker Problems](#)
- [Video and Monitor Problems](#)



Troubleshooting Tips

Follow these tips when you troubleshoot your computer:

1. If you added or removed a part before the problem started, review the installation procedures and ensure that the part is correctly installed.
1. If a peripheral device does not work, ensure that the device is properly connected.
1. If an error message appears on the screen, write down the exact message. This message may help technical support personnel diagnose and fix the problem(s).
1. If an error message occurs in a program, see the program's documentation.

Battery Problems




Fill out the [Diagnostics Checklist](#) as you complete these checks.

-  **CAUTION:** There is a danger of a new battery exploding if it is incorrectly installed. Replace the battery only with the same or equivalent type recommended by the manufacturer. Discard used batteries according to the manufacturer's instructions.
-  **CAUTION:** Before you begin any of the procedures in this section, follow the safety instructions in the *Product Information Guide*.

Replace the battery — If you have to repeatedly reset time and date information after turning on the computer, or if an incorrect time or date displays during start-up, replace the battery (see [Battery](#)). If the battery still does not work properly, contact Dell (see [Contacting Dell](#)).

Card Problems

Fill out the [Diagnostics Checklist](#) as you complete these checks.

-  **CAUTION:** Before you begin any of the procedures in this section, follow the safety instructions in the *Product Information Guide*.
-  **CAUTION:** To guard against electrical shock, always unplug your computer from the electrical outlet before opening the cover.
-  **NOTICE:** To prevent static damage to components inside your computer, discharge static electricity from your body before you touch any of your computer's electronic components. You can do so by touching an unpainted metal surface on the computer.

Check the card seating and cable —

1. Turn off the computer and devices, disconnect them from their electrical outlets, wait 10 to 20 seconds, and then remove the computer cover (see the appropriate "Removing the Computer Cover" section).
2. Ensure that each card is firmly seated in its connector. Reseat any loose cards.
3. Ensure that all cables are firmly connected to their corresponding connectors on the cards. If any cables appear loose, reconnect them.

For instructions on which cables should be attached to specific connectors on a card, see the card's documentation.

4. Close the computer cover reconnect the computer and devices to electrical outlets, and then turn them on (see [Replacing the Computer Cover](#)).

Test the graphics card —

1. Turn off the computer and devices, disconnect them from their electrical outlets, wait 10 to 20 seconds, and then remove the computer cover (see the appropriate "Removing the Computer Cover" section).
2. Remove all cards except the graphics card. See the appropriate "Cards" section for your computer.

If your primary hard drive is connected to a drive controller card and not to one of the system board IDE connectors, leave the drive controller card installed in the computer.

3. Close the computer cover (see [Replacing the Computer Cover](#)), reconnect the computer and devices to electrical outlets, and then turn them on.
4. Run the Dell Diagnostics. See [Dell Diagnostics](#).

Test the cards —


1. Turn off the computer and devices, disconnect them from their electrical outlets, wait 10 to 20 seconds, and then remove the computer cover (see the appropriate "Removing the Computer Cover" section for your computer).
2. Reinstall one of the cards that you removed previously. See appropriate "Cards" section for your computer.
3. Close the computer cover, reconnect the computer and devices to electrical outlets, and then turn them on (see [Replacing the Computer Cover](#)).
4. Run the Dell Diagnostics. See [Dell Diagnostics](#).


If any of the tests fail, the card you just reinstalled is faulty and needs to be replaced.

5. Repeat this process until you have reinstalled all cards.

Drive Problems

 **CAUTION:** Before you begin any of the procedures in this section, follow the safety instructions in the *Product Information Guide*.

 **CAUTION:** To guard against electrical shock, always unplug your computer from the electrical outlet before opening the cover.

 **NOTICE:** To prevent static damage to components inside your computer, discharge static electricity from your body before you touch any of your computer's electronic components. You can do so by touching an unpainted metal surface on the computer.

Fill out the [Diagnostics Checklist](#) as you complete these checks.

Test the drive —

1. Insert another floppy disk, CD, or DVD to eliminate the possibility that the original one is defective.
1. Insert bootable media and restart the computer.


Clean the drive or disk — See [Cleaning Your Computer](#).


Check the cable connections

Check for Software and Hardware Conflicts — See [Resolving Software and Hardware Incompatibilities](#).

Run the Dell Diagnostics — See [Dell Diagnostics](#).

Optical drive problems

 **NOTE:** High-speed Cd or DVD drive vibration is normal and may cause noise, which does not indicate a defect in the drive or the CD or DVD.

 **NOTE:** Because of different regions worldwide and different disc formats, not all DVD titles work in all DVD drives.

Adjust the Windows volume control —

1. Click the speaker icon in the lower-right corner of your screen.
1. Ensure that the volume is turned up by clicking the sidebar and dragging it up.
1. Ensure that the sound is not muted by clicking any boxes that are checked.

Check the speakers and subwoofer — See [Sound and Speaker Problems](#).

Problems writing to a CD/DVD-RW drive

Close other programs — The CD/DVD-RW drive must receive a steady stream of data when writing. If the stream is interrupted, an error occurs. Try closing all programs before you write to the CD/DVD-RW.


Turn off Standby mode in Windows before writing to a CD/DVD-RW disc — See your computer documentation for information on Power Management modes. See [Advanced Features](#).


Hard drive problems


Run Check Disk —

1. Click the **Start** button and click **My Computer**.
2. Right-click **Local Disk C:**.
3. Click **Properties**.
4. Click the **Tools** tab.
5. Under **Error-checking**, click **Check Now**.
6. Click **Scan for and attempt recovery of bad sectors**.
7. Click **Start**.

E-Mail, Modem, and Internet Problems

 **CAUTION:** Before you begin any of the procedures in this section, follow the safety instructions in the *Product Information Guide*.

 **CAUTION:** To guard against electrical shock, always unplug your computer from the electrical outlet before opening the cover.

 **NOTICE:** To prevent static damage to components inside your computer, discharge static electricity from your body before you touch any of your computer's electronic components. You can do so by touching an unpainted metal surface on the computer.

 **NOTE:** Connect the modem to an analog telephone jack only. The modem does not operate while it is connected to a digital telephone network.

Run the Modem Helper diagnostics — Click the **Start** button, point to **All Programs**, and then click **Modem Helper**. Follow the instructions on the screen to identify and resolve modem problems. (Modem Helper is not available on all computers.)


Verify that the modem is communicating with Windows —

1. Click the **Start** button and click **Control Panel**.
2. Click **Printers and Other Hardware**.
3. Click **Phone and Modem Options**.
4. Click the **Modems** tab.
5. Click the COM port for your modem.
6. Click **Properties**, click the **Diagnostics** tab, and then click **Query Modem** to verify that the modem is communicating with Windows.

If all commands receive responses, the modem is operating properly.

Ensure that you are connected to the Internet — Ensure that you have subscribed to an Internet provider. With the Outlook Express e-mail program open, click **File**. If **Work Offline** has a checkmark next to it, click the checkmark to remove it and connect to the Internet. For help, contact your Internet service provider.

Keyboard Problems

 **CAUTION:** Before you begin any of the procedures in this section, follow the safety instructions located in the *Product Information Guide*.

Check the keyboard cable —


- 1 Ensure that the keyboard cable is firmly connected to the computer.
- 1 Shut down the computer, reconnect the keyboard cable as shown in the *Quick Reference Guide* for your computer, and then restart the computer.
- 1 Check the cable connector for bent or broken pins and for damaged or frayed cables. Straighten bent pins.
- 1 Remove keyboard extension cables and connect the keyboard directly to the computer.


Test the keyboard — Connect a properly working keyboard to the computer, and try using the keyboard. If the new keyboard works, the original keyboard is faulty.


Run the Dell Diagnostics — See [Dell Diagnostics](#).

Check for software and hardware conflicts — see [Resolving Software and Hardware Incompatibilities](#).

Fan Problems

 **CAUTION:** Before you begin any of the procedures in this section, follow the safety instructions in the *Product Information Guide*.

 **CAUTION:** To guard against electrical shock, always unplug your computer from the electrical outlet before opening the cover.

 **NOTICE:** To prevent static damage to components inside your computer, discharge static electricity from your body before you touch any of your computer's electronic components. You can do so by touching an unpainted metal surface on the computer.

Check the cable connections — Ensure that the card fan cable is connected firmly to the card fan connector on the system board (see the appropriate "System Board Components" section for your computer).

Lockups and Software Problems


 **CAUTION:** Before you begin any of the procedures in this section, follow the safety instructions in the *Product Information Guide*.

The computer does not start up

Check the Diagnostic Lights — See [Diagnostic Lights](#).

Ensure that the power cable is firmly connected to the computer and to the electrical outlet

The computer stops responding

 **NOTICE:** You might lose data if you are unable to perform an operating system shutdown.


Turn the computer off — If you are unable to get a response by pressing a key on your keyboard or moving your mouse, press and hold the power button for at least 8 to 10 seconds until the computer turns off. Then restart your computer.

A program stops responding

End the program —

1. Press <Ctrl><Shift><Esc> simultaneously.
2. Click **Applications**.
3. Click the program that is no longer responding.
4. Click **End Task**.

A program crashes repeatedly

 **NOTE:** Software usually includes installation instructions in its documentation or on a floppy disk or CD.

Check the software documentation — If necessary, uninstall and then reinstall the program.

A solid blue screen appears

Turn the computer off — If you are unable to get a response by pressing a key on your keyboard or moving your mouse, press and hold the power button for at least 8 to 10 seconds until the computer turns off. Then restart your computer.

Other software problems

Check the software documentation or contact the software manufacturer for troubleshooting information —

- 1 Ensure that the program is compatible with the operating system installed on your computer.
- 1 Ensure that your computer meets the minimum hardware requirements needed to run the software. See the software documentation for information.
- 1 Ensure that the program is installed and configured properly.
- 1 Verify that the device drivers do not conflict with the program.
- 1 If necessary, uninstall and then reinstall the program.

Back up your files immediately

Use a virus-scanning program to check the hard drive, floppy disks, or CDs

Save and close any open files or programs and shut down your computer through the Start menu

Run the Dell Diagnostics — If all tests run successfully, the error condition is related to a software problem. See [Dell Diagnostics](#).

Media Card Reader Problems

No drive letter is assigned —

When Microsoft Windows XP detects the Media Card Reader, the device is automatically assigned a drive letter as the next logical drive after all other physical drives in the system. If the next logical drive after the physical drives is mapped to a network drive, Windows XP does not automatically assign a drive letter to the Media Card Reader.

To manually assign a drive for the Media Card Reader:

1. Right-click My Computer and select **Manage**.
2. Select the **Disk Management** option.
3. Right-click the corresponding drive letter in the right pane that needs to be changed.
4. Select **Drive Letter and Paths**.
5. From the drop-down list, select the new drive letter assignment for the Media Card Reader.
6. Click **OK** to confirm your selection.


NOTE: Each slot in the Media Card Reader is mapped to a drive letter. A Media Card Reader slot only appears as a mapped drive when a media card is installed in it. If you attempt to access a drive that is mapped to an empty Media Card Reader slot, you are prompted to insert

media.

FlexBay device is Disabled —

There is a FlexBay disable option in the BIOS setup that appears only when the FlexBay device is installed. If the FlexBay device is physically installed, but it is not running, check to see if it is enabled in the BIOS setup.

Memory Problems

 **NOTE:** Your computer might emit a series of beeps (beep code) during start-up if the monitor cannot display errors or problems. This series of beeps identifies a problem. See [Beep Codes](#) for more information.

Fill out the [Diagnostics Checklist](#) as you complete these checks.

 **CAUTION:** Before you begin any of the procedures in this section, follow the safety instructions located in the *Product Information Guide*.

If you receive an insufficient memory message —

1. Save and close any open files and exit any open programs you are not using to see if that resolves the problem.
1. See the software documentation for minimum memory requirements. If necessary, install additional memory (see [Installing Memory](#)).
1. Reseat the memory modules to ensure that your computer is successfully communicating with the memory (see [Memory](#)).
1. Run the Dell Diagnostics (see [Dell Diagnostics](#)).

If you experience other memory problems —

1. Reseat the memory modules to ensure that your computer is successfully communicating with the memory (see [Installing Memory](#)).
1. Ensure that you are following the memory installation guidelines (see [Memory](#)).
1. Run the Dell Diagnostics (see [Dell Diagnostics](#)).

Mouse Problems

 **CAUTION:** Before you begin any of the procedures in this section, follow the safety instructions located in the *Product Information Guide*.

Check the mouse cable —

1. Check the cable connector for bent or broken pins and for damaged or frayed cables. Straighten bent pins.
2. Remove mouse extension cables, if used, and connect the mouse directly to the computer.
3. Shut down the computer, reconnect the mouse cable as shown in the *Quick Reference Guide* for your computer, and then restart the computer.

Restart the computer —

1. Simultaneously press <Ctrl><Esc> to display the **Start** menu.
2. Type u, press the keyboard arrow keys to highlight **Shut down** or **Turn Off**, and then press <Enter>.
3. After the computer turns off, reconnect the mouse cable as shown on the in the *Quick Reference Guide* for your computer.
4. Start the computer.

Test the mouse — Connect a properly working mouse to the computer, and try using the mouse. If the new mouse works, the original mouse is faulty.

Check the mouse settings —

1. Click the **Start** button, click **Control Panel**, and then click **Printers and Other Hardware**.
2. Click **Mouse**.
3. Try adjusting the settings.

If you are using a PS/2 mouse

1. Enter system setup (see [Entering System Setup](#)) and ensure that the **Mouse Port** option is set to **On**.
2. Exit system setup and restart the computer.


Reinstall the mouse driver — See [Reinstalling Drivers and Utilities](#).

Run the Dell Diagnostics — See [Dell Diagnostics](#).

Check for software and hardware conflicts — See [Resolving Software and Hardware Incompatibilities](#).

Network Problems

Fill out the [Diagnostics Checklist](#) as you complete these checks.

 **CAUTION:** Before you begin any of the procedures in this section, follow the safety instructions located in the *Product Information Guide*.

Check the network cable connector — Ensure that the network cable is firmly inserted into both the network connector on the back of the computer and the network jack.

Check the network lights on the front or back of the computer depending on system chassis type. — No connection speed light indicates that no network communication exists. Replace the network cable.


Restart the computer and log on to the network again

Check your network settings — Contact your network administrator or the person who set up your network to verify that your network settings are correct and that the network is functioning.

Check for software and hardware conflicts — See [Resolving Software and Hardware Incompatibilities](#).

Power Problems

Fill out the [Diagnostics Checklist](#) as you complete these checks.

 **CAUTION:** Before you begin any of the procedures in this section, follow the safety instructions located in the *Product Information Guide*.

If the power light is green and the computer is not responding — See [Diagnostic Lights](#).

If the power light is blinking green — The computer is in standby mode. Press a key on the keyboard or move the mouse to resume normal operation.

If the power light is off — The computer is either turned off or is not receiving power.

- 1 Reseat the power cable into both the power connector on the back of the computer and the electrical outlet.
- 1 If the computer is plugged into a power strip, ensure that the power strip is plugged into an electrical outlet and that the power strip is turned on. Also bypass power protection devices, power strips, and power extension cables to verify that the computer turns on properly.
- 1 Ensure that the electrical outlet is working by testing it with another device, such as a lamp.
- 1 Ensure that the main power cable and front panel cable are securely connected to the system board.

If the power light is amber and green or steady amber — A device might be malfunctioning or incorrectly installed.

- 1 Remove and then reinstall the memory modules.
- 1 Remove and then reinstall any cards.
- 1 Remove and then reinstall the graphics card, if applicable.

If the power light is blinking amber —

The computer is receiving electrical power, but an internal power problem might exist.


- 1 Ensure that the voltage selection switch is set to match the AC power at your location (if applicable).
- 1 Ensure that the processor power cable is securely connected to the system board.


Eliminate interference — Some possible causes of interference are:

- 1 Power, keyboard, and mouse extension cables
- 1 Too many devices on a power strip
- 1 Multiple power strips connected to the same electrical outlet

Printer Problems

Fill out the [Diagnostics Checklist](#) as you complete these checks.

 **CAUTION:** Before you begin any of the procedures in this section, follow the safety instructions located in the *Product Information Guide*.

 **NOTE:** If you need technical assistance for your printer, contact the printer's manufacturer.

Check the printer documentation — See the printer documentation for setup and troubleshooting information.

Ensure that the printer is turned on

Check the printer cable connections —

- 1 See the printer documentation for cable connection information.
- 1 Ensure that the printer cables are securely connected to the printer and the computer.

Test the electrical outlet — Ensure that the electrical outlet is working by testing it with another device, such as a lamp.

Verify that the printer is recognized by Windows —

1. Click the **Start** button, click **Control Panel**, and then click **Printers and Other Hardware**.
2. Click **View installed printers or fax printers**.

If the printer is listed, right-click the printer icon.

3. Click **Properties** and click the **Ports** tab. For a parallel printer, ensure that the **Print to the following port(s):** setting is **LPT1 (Printer Port)**. For a USB printer, ensure that the **Print to the following port(s):** setting is **USB**.

Reinstall the printer driver — See the printer documentation for instructions

Restoring Default Settings

To restore the computer's system settings to their default values —


1. Turn on or restart your computer.
2. When **Press <F2> to Enter Setup** appears in the upper-right corner of the screen, press <F2> immediately.

If you wait too long and the Microsoft® Windows® logo appears, continue to wait until you see the Windows desktop. Then shut down your computer through the **Start** menu and try again.

3. Under **System Management**, select the **Maintenance** option and follow the directions on the screen (see [System Setup Options](#)).

Serial or Parallel Device Problems

Fill out the [Diagnostics Checklist](#) as you complete these checks.

 **CAUTION:** Before you begin any of the procedures in this section, follow the safety instructions located in the *Product Information Guide*.


 **NOTE:** If you are having a problem with a printer, see [Printer Problems](#).

<p>Check the option setting — See the device's documentation for the recommended settings. Then enter system setup (see Entering System Setup) and ensure that the Serial Port #1 setting (or the Serial Port #2 settings if you have an optional serial port adapter installed) or the LPT Port Mode setting matches the recommended settings.</p>

<p>Run the Dell Diagnostics — See Dell Diagnostics.</p>
--

Sound and Speaker Problems

Fill out the [Diagnostics Checklist](#) as you complete these checks.

 **CAUTION:** Before you begin any of the procedures in this section, follow the safety instructions located in the *Product Information Guide*.

No sound from speakers

 **NOTE:** The volume control in some MP3 players overrides the Windows volume setting. If you have been listening to MP3 songs, ensure that you did not turn the player volume down or off.

<p>Check the speaker cable connections — Ensure that the speakers are connected as shown on the setup diagram supplied with the speakers. If you purchased an audio card, ensure that the speakers are connected to the card.</p>
--

<p>Ensure that the subwoofer and the speakers are turned on — See the setup diagram supplied with the speakers. If your speakers have volume controls, adjust the volume, bass, or treble to eliminate distortion.</p>

<p>Adjust the Windows volume control — Click or double-click the speaker icon in the lower-right corner of your screen. Ensure that the volume is turned up and that the sound is not muted.</p>

<p>Disconnect headphones from the headphone connector — Sound from the speakers is automatically disabled when headphones are connected to the computer's front-panel headphone connector.</p>

<p>Test the electrical outlet — Ensure that the electrical outlet is working by testing it with another device, such as a lamp.</p>
--

<p>Enable digital mode — Your speakers do not work if the CD drive is operating in analog mode.</p>
--

- | |
|---|
| <ol style="list-style-type: none">1. Click the Start button, click Control Panel, and then click Sounds, Speech, and Audio Devices.2. Click Sounds and Audio Devices.3. Click the Hardware tab.4. Double-click the name of your CD drive.5. Click the Properties tab.6. Check the Enable digital CD audio for this CD-ROM device box. |
|---|

<p>Eliminate possible interference — Turn off nearby fans, fluorescent lights, or halogen lamps to check for interference.</p>

<p>Run the speaker diagnostics</p>

<p>Reinstall the audio driver — See Reinstalling Drivers and Utilities.</p>
--

<p>Check the device option setting — Enter system setup (see Entering System Setup) and ensure that the Audio Controller option is set to</p>

On. Exit system setup and restart your computer.

If you have installed an audio card:
Enter system setup and ensure that **Integrated Audio** is set to **Off**.
Ensure that your speaker is connected to the audio card inputs

Run the Dell Diagnostics — See [Dell Diagnostics](#).

Run the Audio Card Driver Diagnostics, If Applicable —

If you have installed an audio card, check your audio card documentation for details.

Check for software and hardware conflicts — See [Reinstalling Drivers and Utilities](#).

No sound from headphones

Check the headphone cable connection — Ensure that the headphone cable is securely inserted into the headphone connector.


Disable digital mode — Your headphones do not work if the CD drive is operating in digital mode.

1. Click the **Start** button, click **Control Panel**, and then click **Sounds, Speech, and Audio Devices**.
2. Click **Sounds and Audio Devices**.
3. Click the **Hardware** tab.
4. Double-click the name of your CD drive.
5. Click the **Properties** tab.
6. Uncheck the **Enable digital CD audio for this CD-ROM device** box.


Adjust the Windows volume control — Click or double-click the speaker icon in the lower-right corner of your screen. Ensure that the volume is turned up and that the sound is not muted.

Video and Monitor Problems

Fill out the [Diagnostics Checklist](#) as you complete these checks.

 **CAUTION:** Before you begin any of the procedures in this section, follow the safety instructions located in the *Product Information Guide*.

If the screen is blank

 **NOTE:** See the monitor documentation for troubleshooting procedures.

Check the monitor cable connection —

1. If you purchased a graphics card, ensure that the monitor is connected to the card.
1. Ensure that your monitor is properly connected (see the *Quick Reference Guide* that came with your computer).
1. If you are using a video extension cable and removing the cable solves the problem, the cable is defective.
1. Swap the computer and monitor power cables to determine if the power cable is defective.
1. Check the connector for bent or broken pins. (It is normal for monitor cable connectors to have missing pins.)

Check the monitor power light — If the power light is off, firmly press the button to ensure that the monitor is turned on. If the power light is lit or blinking, the monitor has power. If the power light is blinking, press a key on the keyboard or move the mouse.

Test the electrical outlet — Ensure that the electrical outlet is working by testing it with another device, such as a lamp.

Test the monitor — Connect a properly working monitor to the computer, and try using the monitor. If the new monitor works, the original monitor is faulty.

Check the diagnostic lights — See [Diagnostic Lights](#).

Check the card setting — Enter system setup (see [Entering System Setup](#)) and ensure that **Primary Video** option is set correctly. Exit system setup and restart your computer.

Run the monitor self-test — Check the monitor documentation for more information.

If the screen is difficult to read

Check the monitor settings — See the monitor documentation for instructions on adjusting the contrast and brightness, demagnetizing (degaussing) the monitor, and running the monitor self-test.

Move the subwoofer away from the monitor — If your speaker system includes a subwoofer, ensure that the subwoofer is at least 60 cm (2 ft) away from the monitor.

Move the monitor away from external power sources — Fans, fluorescent lights, halogen lamps, and other electrical devices can cause the screen image to appear "shaky." Turn off nearby devices to check for interference.

Adjust the Windows display settings —

1. Click the **Start** button, click **Control Panel**, and then click **Appearance and Themes**.
2. Click **Display** and click the **Settings** tab.
3. Try different settings for **Screen resolution** and **Color quality**.

[Back to Contents Page](#)

[Back to Contents Page](#)

Chassis Intrusion Switch

Dell™ OptiPlex™ 745 User's Guide

- [Removing the Chassis Intrusion Switch](#)
- [Replacing the Chassis Intrusion Switch](#)
- [Resetting the Chassis Intrusion Detector](#)

⚠ CAUTION: Before you begin any of the procedures in this section, follow the safety instructions located in the *Product Information Guide*.

🔧 NOTE: The chassis intrusion switch is optional on mini tower, desktop and small form-factor computers; it may not be present on your system.

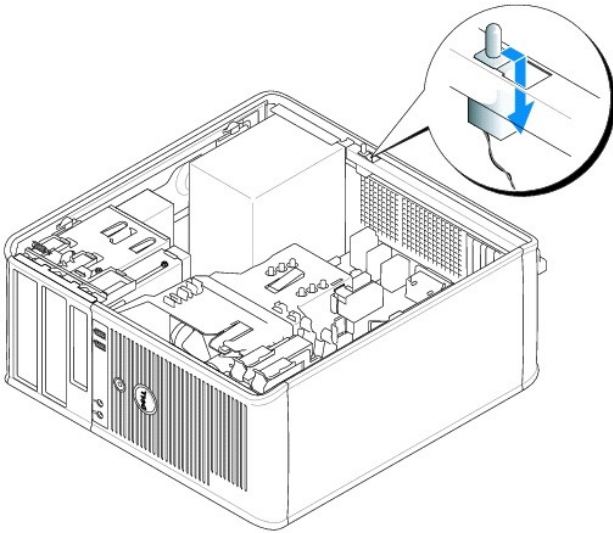
Removing the Chassis Intrusion Switch

1. Follow the procedures in [Before You Begin](#).
2. Disconnect the chassis intrusion switch cable from the system board.

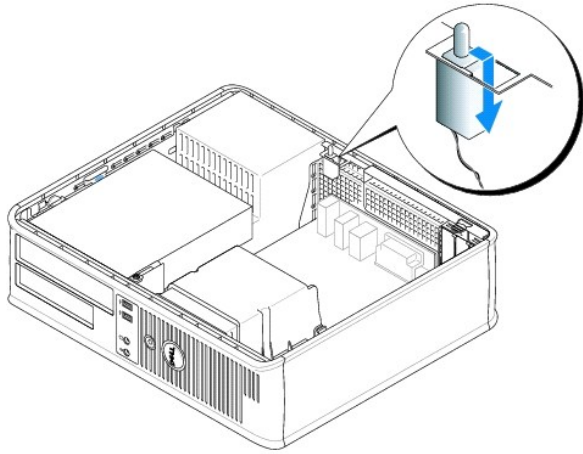
Note the routing of the chassis intrusion cable as you remove it from the chassis. Chassis hooks may hold the cable in place inside the chassis.

3. Slide the chassis intrusion switch out of its slot, and remove the switch and its attached cable from the computer.

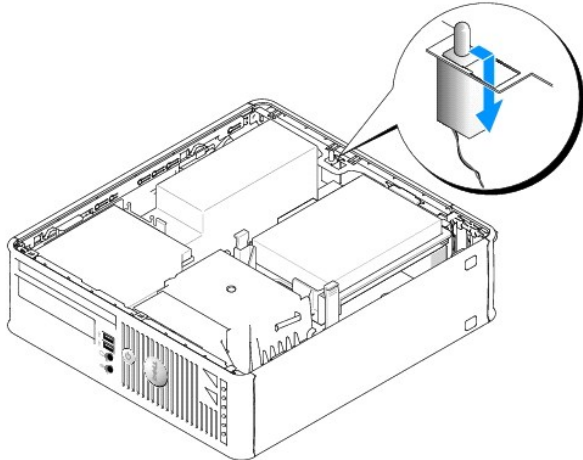
Mini Tower Computer



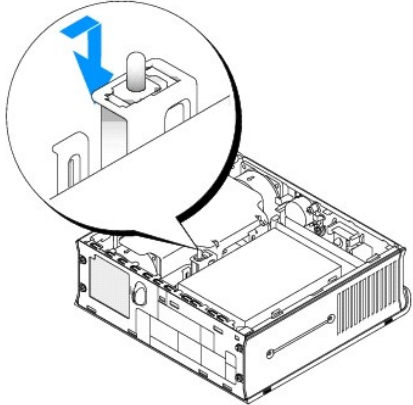
Desktop Computer



Small Form Factor Computer



Ultra Small Form Factor Computer



Replacing the Chassis Intrusion Switch


1. Gently slide the chassis intrusion switch into its slot and reconnect the cable to the system board.
 2. Replace the computer cover (see [Replacing the Computer Cover](#)).
 3. If you are using a computer stand, attach it to the computer.
-

Resetting the Chassis Intrusion Detector

1. Turn on (or restart) your computer.
2. When the blue DELL™ logo appears, press <F2> immediately.

If you wait too long and the operating system logo appears, continue to wait until you see the Microsoft® Windows® desktop. Then shut down your computer and try again.

3. Select the **Chassis Intrusion** option and then press the left- or right-arrow key to select **Reset**. Change the setting to **On**, **On-Silent**, or **Disabled**.

 **NOTE:** The default setting is **On-Silent**.

4. Press <Alt> to restart the computer and implement your changes.
-

[Back to Contents Page](#)

Replacing the System Board

Dell™ OptiPlex™ 745 User's Guide

Removing the System Board: Mini Tower, Desktop, Small Form Factor, and Ultra-Small Form Factor Computers

1. Follow the procedures in [Before You Begin](#).

NOTICE: Before touching anything inside your computer, ground yourself by touching an unpainted metal surface, such as the metal at the back of the computer. While you work, periodically touch an unpainted metal surface to dissipate any static electricity that could harm internal components.

2. Remove any components that restrict access to the system board (optical drive(s), floppy drive, hard drive, I/O panel (as applicable)).

3. Remove the processor and heat sink assembly:

- 1 mini tower: see [Processor](#)
- 1 desktop: see [Processor](#)
- 1 small form-factor: see [Processor](#)
- 1 ultra-small form factor: see [Processor](#)

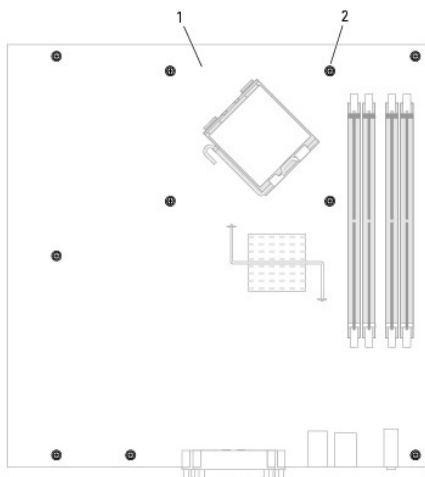
4. Disconnect all cables from the system board.

5. Remove the screws from the system board.

- 1 mini tower: [Mini Tower System Board Screws](#)
- 1 desktop: [Desktop System Board Screws](#)
- 1 small form-factor: [Small Form Factor System Board Screws](#)
- 1 ultra-small form factor: [Ultra Small Form Factor System Board Screws](#)

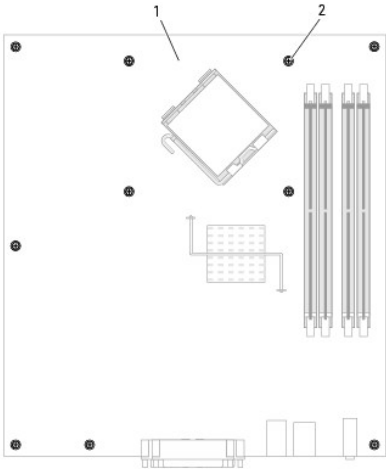
6. Slide the system board assembly toward the front of the computer, and then lift the board up and away.

Mini Tower System Board Screws



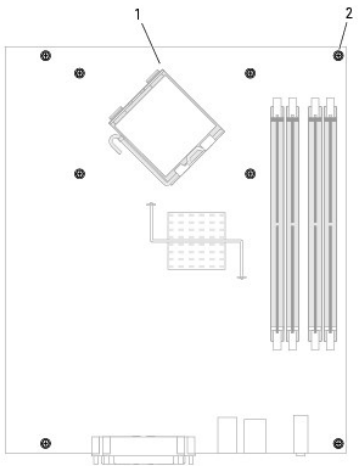
1	mini tower system board
2	screws (10)

Desktop System Board Screws



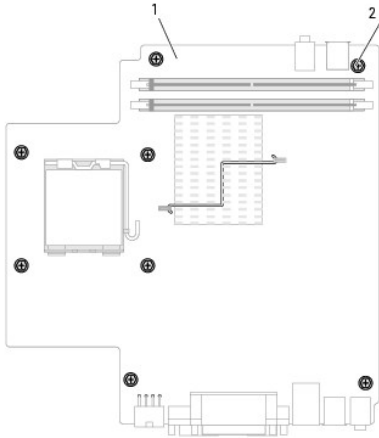
1	desktop system board
2	screws (10)

Small Form Factor System Board Screws



1	small form factor system board
2	screws (8)

Ultra Small Form Factor System Board Screws



1	ultra-small form factor system board
2	screws (10)

Place the system board assembly that you just removed next to the replacement system board to ensure it is identical.

Replacing the System Board: Mini Tower, Desktop, Small Form Factor and Ultra-Small Form Factor Computers




1. Gently align the board into the chassis and slide it toward the back of the computer.
2. Replace the screws on the system board.
3. Replace any components and cables that you removed from the system board.
4. Reconnect all cables to their connectors at the back of the computer.
5. Replace the computer cover (see [Replacing the Computer Cover](#)).

[Back to Contents Page](#)

[Back to Contents Page](#)

Dell™ OptiPlex™ 745 User's Guide

Notes, Notices, and Cautions

-  **NOTE:** A NOTE indicates important information that helps you make better use of your computer.
-  **NOTICE:** A NOTICE indicates either potential damage to hardware or loss of data and tells you how to avoid the problem.
-  **CAUTION:** A CAUTION indicates a potential for property damage, personal injury, or death.

If you purchased a Dell™ n Series computer, any references in this document to Microsoft® Windows® operating systems are not applicable.

Information in this document is subject to change without notice.
© 2006 Dell Inc. All rights reserved.

Reproduction in any manner whatsoever without the written permission of Dell Inc. is strictly forbidden.

Trademarks used in this text: *Dell*, the *DELL* logo, *OptiPlex*, *Inspiron*, *Dimension*, *Latitude*, *Dell Precision*, *DellNet*, *TravelLite*, *Dell OpenManage*, *PowerVault*, *Axim*, *PowerEdge*, *PowerConnect*, and *PowerApp* are trademarks of Dell Inc.; *Intel*, *Pentium*, and *Celeron* are registered trademarks of Intel Corporation; *Microsoft*, *MS-DOS*, and *Windows* are registered trademarks of Microsoft Corporation; *IBM* is a registered trademark of International Business Machines Corporation; *Bluetooth* is a trademark owned by Bluetooth SIG, Inc. and is used by Dell Inc. under license. *ENERGY STAR* is a registered trademark of the U.S. Environmental Protection Agency. As an ENERGY STAR partner, Dell Inc. has determined that this product meets the ENERGY STAR guidelines for energy efficiency.

Other trademarks and trade names may be used in this document to refer to either the entities claiming the marks and names or their products. Dell Inc. disclaims any proprietary interest in trademarks and trade names other than its own.

Models: DCTR, DCNE, DCSM, and DCCY

June 2006 KH288 Rev. A00

[Back to Contents Page](#)

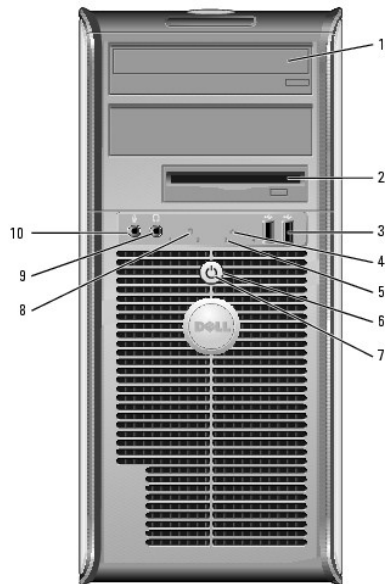
Mini Tower Computer

Dell™ OptiPlex™ 745 User's Guide

- [About Your Mini Tower Computer](#)
- [Inside Your Computer](#)

About Your Mini Tower Computer

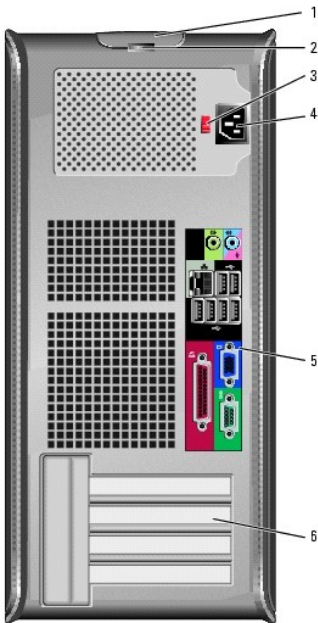
Front View



1	5.25-inch drive bay	Can contain an optical drive. Insert a CD or DVD (if supported) into this drive.
2	3.5-inch drive bay	Can contain an optional floppy drive or optional media card reader.
3	USB 2.0 connectors (2)	Use the front USB connectors for devices that you connect occasionally, such as joysticks or cameras, or for bootable USB devices (see System Setup for more information on booting to a USB device). It is recommended that you use the back USB connectors for devices that typically remain connected, such as printers and keyboards.
4	LAN indicator light	This light indicates that a LAN (local area network) connection is established.
5	diagnostic lights	Use the lights to help you troubleshoot a computer problem based on the diagnostic code. For more information, see Diagnostic Lights .
6	power button	Press this button to turn on the computer. NOTICE: To avoid losing data, do not turn off the computer by pressing the power button. Instead, perform an operating system shutdown. See Turning Off Your Computer for more information. NOTICE: If your operating system has ACPI enabled, when you press the power button the computer will perform an operating system shutdown.
7	power light	The power light illuminates and blinks or remains solid to indicate different operating modes: <ul style="list-style-type: none"> 1 No light — The computer is turned off. 1 Steady green — The computer is in a normal operating state. 1 Blinking green — The computer is in a power-saving mode.

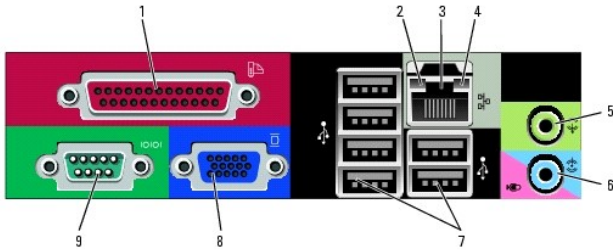
		<p>1 Blinking or solid amber — See Power Problems.</p> <p>To exit from a power-saving mode, press the power button or use the keyboard or the mouse if it is configured as a wake device in the Windows Device Manager. For more information about sleep modes and exiting from a power-saving mode, see Power Management.</p> <p>See System Lights for a description of light codes that can help you troubleshoot problems with your computer.</p>
8	hard-drive activity light	This light flickers when the hard drive is being accessed.
9	headphone connector	Use the headphone connector to attach headphones and most kinds of speakers.
10	microphone connector	Use the microphone connector to attach a microphone.

Back View



1	cover-release latch	This latch allows you to open the computer cover.
2	padlock ring	Insert a padlock to lock the computer cover.
3	voltage selection switch	<p>Your computer is equipped with a manual voltage-selection switch. To help avoid damaging a computer with a manual voltage-selection switch, set the switch for the voltage that most closely matches the AC power available in your location.</p> <p>NOTICE: In Japan, the voltage selection switch must be set to the 115-V position.</p> <p>Also, ensure that your monitor and attached devices are electrically rated to operate with the AC power available in your location.</p>
4	power connector	Insert the power cable.
5	back-panel connectors	Plug serial, USB, and other devices into the appropriate connectors. See Back-Panel Connectors .
6	card slots	Access connectors for any installed PCI and PCI Express cards.

Back-Panel Connectors



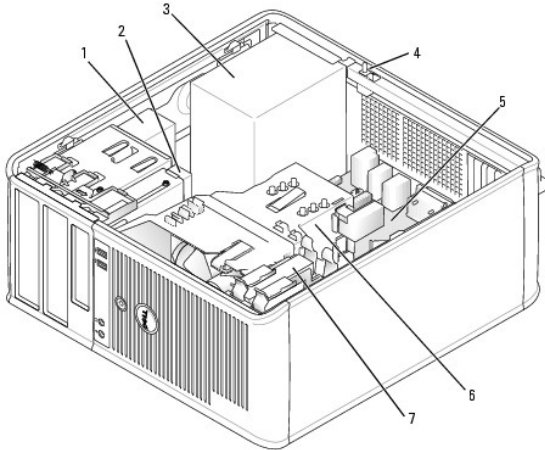
1 parallel connector	<p>Connect a parallel device, such as a printer, to the parallel connector. If you have a USB printer, plug it into a USB connector.</p> <p>NOTE: The integrated parallel connector is automatically disabled if the computer detects an installed card containing a parallel connector configured to the same address. For more information, see System Setup Options.</p>
2 link integrity light	<ul style="list-style-type: none"> 1 Green — A good connection exists between a 10-Mbps network and the computer. 1 Orange — A good connection exists between a 100-Mbps network and the computer. 1 Yellow — A good connection exists between a 1-Gbps (or 1000-Mbps) network and the computer. 1 Off — The computer is not detecting a physical connection to the network.
3 network adapter connector	<p>To attach your computer to a network or broadband device, connect one end of a network cable to either a network jack or your network or broadband device. Connect the other end of the network cable to the network adapter connector on the back panel of your computer. A click indicates that the network cable has been securely attached.</p> <p>NOTE: Do not plug a telephone cable into the network connector.</p> <p>On computers with a network connector card, use the connector on the card.</p> <p>It is recommended that you use Category 5 wiring and connectors for your network. If you must use Category 3 wiring, force the network speed to 10 Mbps to ensure reliable operation.</p>
4 network activity light	<p>Flashes a yellow light when the computer is transmitting or receiving network data. A high volume of network traffic may make this light appear to be in a steady "on" state.</p>
5 line-out connector	<p>Use the green line-out connector to attach headphones and most speakers with integrated amplifiers.</p> <p>On computers with a sound card, use the connector on the card.</p>
6 line-in/microphone connector	<p>Use the blue and pink line-in/microphone connector to attach a record/playback device such as a cassette player, CD player, or VCR; or a personal computer microphone for voice or musical input into a sound or telephony program.</p> <p>On computers with a sound card, use the connector on the card.</p>
7 USB 2.0 connectors (6)	<p>Use the back USB connectors for devices that typically remain connected, such as printers and keyboards.</p>
8 video connector	<p>Plug the cable from your VGA-compatible monitor into the blue connector.</p> <p>NOTE: If you purchased an optional graphics card, this connector will be covered by a cap. Connect your monitor to the connector on the graphics card. Do not remove the cap.</p> <p>NOTE: If you are using a graphics card that supports dual monitors, use the y-cable that came with your computer.</p>
9 serial connector	<p>Connect a serial device, such as a handheld device, to the serial port. The default designations are COM1 for serial connector 1 and COM2 for serial connector 2.</p> <p>For more information, see System Setup Options.</p>

Inside Your Computer

⚠ CAUTION: Before you begin any of the procedures in this section, follow the safety instructions located in the *Product Information Guide*.

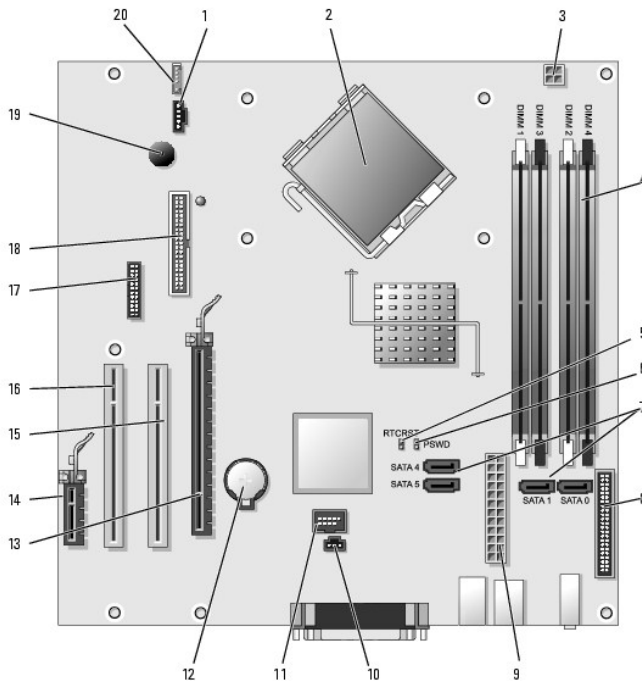
⚠ CAUTION: To avoid electrical shock, always unplug your computer from the electrical outlet before removing the computer cover.

🔍 NOTICE: Be careful when opening the computer cover to ensure that you do not accidentally disconnect cables from the system board.



1	optical drive	5	system board
2	floppy drive or media card reader	6	heat-sink assembly
3	power supply	7	hard drive
4	optional chassis-intrusion switch		

System Board Components



1	fan connector (FAN)	11	internal USB (INTERNAL_USB)
2	processor connector (CPU)	12	battery socket (BATT)

3	processor power connector (12VPOWER)	13	PCI Express x16 connector (SLOT1)
4	memory module connectors (DIMM_1, DIMM_2, DIMM_3, DIMM_4)	14	PCI Express x1 connector (SLOT4)
5	RTC reset jumper (RTCST)	15	PCI connector (SLOT2)
6	password jumper (PSWD)	16	PCI connector (SLOT3)
7	SATA drive connectors (SATA0, SATA1, SATA4, SATA5)	17	serial connector (SER2)
8	front-panel connector (FNT_PANEL)	18	floppy drive connector (DSKT)
9	power connector (POWER)	19	system board speaker (BEEP)
10	intrusion switch connector (INTRUDER)	20	speaker connector (INT_SPKR)

[Back to Contents Page](#)

[Back to Contents Page](#)

Troubleshooting Tools and Utilities

Dell™ OptiPlex™ 745 User's Guide

- [Dell Diagnostics](#)
 - [System Lights](#)
 - [Diagnostic Lights](#)
 - [Beep Codes](#)
 - [Error Messages](#)
 - [Resolving Software and Hardware Incompatibilities](#)
-


Dell Diagnostics

 **CAUTION:** Before you begin any of the procedures in this section, follow the safety instructions located in the *Product Information Guide*.

When to Use the Dell Diagnostics

If you experience a problem with your computer, perform the checks in this section and run the Dell Diagnostics before you contact Dell for technical assistance.

It is recommended that you print these procedures before you begin.


 **NOTICE:** The Dell Diagnostics works only on Dell™ computers.

Enter system setup (see [Entering System Setup](#)), review your computer's configuration information, and ensure that the device you want to test displays in system setup and is active.

Start the Dell Diagnostics from either your hard drive or from the *Drivers and Utilities CD* (an optional CD also known as the ResourceCD). See [Starting the Dell Diagnostics From Your Hard Drive](#) or [Starting the Dell Diagnostics From the Drivers and Utilities CD \(Optional\)](#) for more information.

Starting the Dell Diagnostics From Your Hard Drive

1. Turn on (or restart) your computer.
2. When the DELL™ logo appears, press <F12> immediately.

 **NOTE:** If you see a message stating that no diagnostics utility partition has been found, run the Dell Diagnostics from your optional *Drivers and Utilities CD*. See [Finding Information](#) for more information about the optional *Drivers and Utilities CD*.

If you wait too long and the operating system logo appears, continue to wait until you see the Microsoft® Windows® desktop. Then shut down your computer and try again.


3. When the boot device list appears, highlight **Boot to Utility Partition** and press <Enter>.
4. When the Dell Diagnostics **Main Menu** appears, select the test you want to run (see [Dell Diagnostics Main Menu](#)).

Starting the Dell Diagnostics From the Drivers and Utilities CD (Optional)

1. Insert the *Drivers and Utilities CD* (optional).
2. Shut down and restart the computer.

When the DELL logo appears, press <F12> immediately.

If you wait too long and the Windows logo appears, continue to wait until you see the Windows desktop. Then shut down your computer and try again.

 **NOTE:** The next steps change the boot sequence for one time only. On the next start-up, the computer boots according to the devices specified in system setup.

3. When the boot device list appears, highlight **IDE CD-ROM Device** and press <Enter>.
4. Select the **IDE CD-ROM Device** option from the CD boot menu.

5. Select the **Boot from CD-ROM** option from the menu that appears.
6. Type 1 to start the *Drivers and Utilities* CD menu.
7. Type 2 to start the Dell Diagnostics.
8. Select **Run the 32 Bit Dell Diagnostics** from the numbered list. If multiple versions are listed, select the version appropriate for your computer.
9. When the Dell Diagnostics **Main Menu** appears, select the test you want to run (see [Dell Diagnostics Main Menu](#)).


Dell Diagnostics Main Menu

1. After the Dell Diagnostics loads and the **Main Menu** screen appears, click the button for the option you want.

Option	Function
Express Test	Performs a quick test of devices. This test typically takes 10 to 20 minutes and requires no interaction on your part. Run Express Test first to increase the possibility of tracing the problem quickly.
Extended Test	Performs a thorough check of devices. This test typically takes an hour or more and requires you to answer questions periodically.
Custom Test	Tests a specific device. You can customize the tests you want to run.
Symptom Tree	Lists the most common symptoms encountered and allows you to select a test based on the symptom of the problem you are having.

2. If a problem is encountered during a test, a message appears with an error code and a description of the problem. Write down the error code and problem description and follow the instructions on the screen.

If you cannot resolve the error condition, contact Dell (see [Contacting Dell](#)).

 **NOTE:** The Service Tag for your computer is located at the top of each test screen. If you contact Dell, technical support will ask for your Service Tag. Your computer's Service Tag is listed in the **System Info** option in system setup. See [System Setup](#) for more information.

3. If you run a test from the **Custom Test** or **Symptom Tree** option, click the applicable tab described in the following table for more information.

Tab	Function
Results	Displays the results of the test and any error conditions encountered.
Errors	Displays error conditions encountered, error codes, and the problem description.
Help	Describes the test and may indicate requirements for running the test.
Configuration	Displays your hardware configuration for the selected device. The Dell Diagnostics obtains configuration information for all devices from system setup, memory, and various internal tests, and it displays the information in the device list in the left pane of the screen. The device list may not display the names of all the components installed on your computer or all devices attached to your computer.
Parameters	Allows you to customize the test by changing the test settings.

4. When the tests are completed, if you are running the Dell Diagnostics from the *Drivers and Utilities CD*, remove the CD.
5. Close the test screen to return to the **Main Menu** screen. To exit the Dell Diagnostics and restart the computer, close the **Main Menu** screen.

System Lights

Your power button light and hard-drive light may indicate a computer problem.

Power Light	Problem Description	Suggested Resolution
Solid green	Power is on, and the computer is operating normally. On the desktop computer, a solid green light indicates a network connection.	No corrective action is required.
Blinking green	The computer is in a power-saving mode (Microsoft® Windows® XP).	Press the power button, move the mouse, or press a key on the keyboard to wake the computer.
Blinks green several times and then turns off	A configuration error exists.	Check the diagnostic lights to see if the specific problem is identified (see Diagnostic Lights).
Solid yellow	The Dell Diagnostics is running a test, or a device	If the Dell Diagnostics is running, allow the testing to complete.

	on the system board may be faulty or incorrectly installed.	If the computer does not boot, contact Dell for technical assistance (see Contacting Dell).
Blinking yellow	A power supply or system board failure has occurred.	See Power Problems .
Solid green and a beep code during POST	A problem was detected while the BIOS was executing.	See Beep Codes for instructions on diagnosing the beep code. Also, check the diagnostic lights to see if the specific problem is identified (see Diagnostic Lights).
Solid green power light and no beep code and no video during POST	The monitor or the graphics card may be faulty or incorrectly installed.	Check the diagnostic lights to see if the specific problem is identified (see Diagnostic Lights). See Video and Monitor Problems .
Solid green power light and no beep code but the computer locks up during POST	An integrated system board device may be faulty.	Check the diagnostic lights to see if the specific problem is identified (see Diagnostic Lights). If the problem is not identified, contact Dell for technical assistance (see Contacting Dell).

Diagnostic Lights




⚠ CAUTION: Before you begin any of the procedures in this section, follow the safety instructions located in the *Product Information Guide*.

To help you troubleshoot a problem, your computer has four lights labeled "1," "2," "3," and "4" on the front or back panel. The lights can be off or green. When the computer starts normally, the patterns or codes on the lights change as the boot process completes.

If the POST portion of system boot completes successfully, all four lights display solid green. If the computer malfunctions during the POST process, the pattern displayed on the LEDs may help identify where in the process the computer halted.

📌 NOTE: The orientation of the diagnostic lights may vary dependent upon the computer type. The diagnostic lights can appear either vertical or horizontal.

Light Pattern	Problem Description	Suggested Resolution
①②③④	The computer is in a normal "off" condition, or a possible pre-BIOS failure has occurred. The diagnostic lights are not lit after the computer successfully boots to the operating system.	Plug the computer into a working electrical outlet and press the power button.
①②③④	A possible BIOS failure has occurred; the computer is in the recovery mode.	Run the BIOS Recovery utility, wait for recovery completion, and then restart the computer.
①②③④	A possible processor failure has occurred.	Reinstall the processor and restart the computer.
①②③④	Memory modules are detected, but a memory failure has occurred.	<ul style="list-style-type: none"> 1 If you have one memory module installed, reinstall it and restart the computer. (see Memory for instructions on how to remove and install memory modules.) 1 If you have two or more memory modules installed, remove the modules, reinstall one module, and then restart the computer. If the computer starts normally, reinstall an additional module. Continue until you have identified a faulty module or reinstalled all modules without error. 1 If available, install properly working memory of the same type into your computer. 1 If the problem persists, contact Dell (see Contacting Dell).
①②③④	A possible graphics card failure has occurred.	<ul style="list-style-type: none"> 1 If the computer has a graphics card, remove the card, reinstall it, and then restart the computer. 1 If the problem still exists, install a graphics card that you know works and restart the computer. 1 If the problem persists or the computer has integrated graphics, contact Dell (see Contacting Dell).
①②③④	A possible floppy or hard drive failure has occurred.	Reseat all power and data cables and restart the computer.
①②③④	A possible USB failure has occurred.	Reinstall all USB devices, check cable connections, and then restart the computer.
①②③④	No memory modules are detected.	<ul style="list-style-type: none"> 1 If you have one memory module installed, reinstall it and restart the computer. (see Memory for instructions on how to remove and install memory modules.) 1 If you have two or more memory modules installed, remove the modules, reinstall one module, and then restart the computer. If the computer starts normally, reinstall an additional module. Continue until you have identified a faulty module or reinstalled all modules without error. 1 If available, install properly working memory of the same type into your computer. 1 If the problem persists, contact Dell (see Contacting Dell).

	Memory modules are detected, but a memory configuration or compatibility error exists.	<ul style="list-style-type: none"> 1 Ensure that no special memory module/memory connector placement requirements exist (see Memory). 1 Verify that the memory modules that you are installing are compatible with your computer (see Memory). 1 If the problem persists, contact Dell (see Contacting Dell).
	A failure has occurred. This pattern also displays when you enter system setup (see Entering System Setup) and may not indicate a problem.	<ul style="list-style-type: none"> 1 Ensure that the cables are properly connected to the system board from the hard drive, CD drive, and DVD drive. 1 Check the computer message that appears on your monitor screen. 1 If the problem persists, contact Dell (see Contacting Dell).
	After POST is complete, all four diagnostic lights turn green briefly before turning off to indicate normal operating condition.	None.

Beep Codes

Your computer might emit a series of beeps during start-up if the monitor cannot display errors or problems. This series of beeps, called a beep code, identifies a problem. One possible beep code (code 1-3-1) consists of one beep, a burst of three beeps, and then one beep. This beep code tells you that the computer encountered a memory problem.


If your computer beeps during start-up:

1. Write down the beep code on the [Diagnostics Checklist](#).
2. Run the Dell Diagnostics to identify a more serious cause (see [Dell Diagnostics](#)).
3. Contact Dell for technical assistance (see [Contacting Dell](#)).

Code	Cause
1-1-2	Microprocessor register failure
1-1-3	NVRAM read/write failure
1-1-4	ROM BIOS checksum failure
1-2-1	Programmable interval timer failure
1-2-2	DMA initialization failure
1-2-3	DMA page register read/write failure
1-3	Video Memory test failure
1-3-1 through 2-4-4	Memory not being properly identified or used
3-1-1	Slave DMA register failure
3-1-2	Master DMA register failure
3-1-3	Master interrupt mask register failure
3-1-4	Slave interrupt mask register failure
3-2-2	Interrupt vector loading failure
3-2-4	Keyboard Controller test failure
3-3-1	NVRAM power loss
3-3-2	Invalid NVRAM configuration
3-3-4	Video Memory test failure
3-4-1	Screen initialization failure
3-4-2	Screen retrace failure
3-4-3	Search for video ROM failure
4-2-1	No timer tick
4-2-2	Shutdown failure
4-2-3	Gate A20 failure
4-2-4	Unexpected interrupt in protected mode
4-3-1	Memory failure above address 0FFFh
4-3-3	Timer-chip counter 2 failure
4-3-4	Time-of-day clock stopped
4-4-1	Serial or parallel port test failure
4-4-2	Failure to decompress code to shadowed memory
4-4-3	Math-coprocessor test failure
4-4-4	Cache test failure

Error Messages

Fill out the [Diagnostics Checklist](#) as you complete these checks.

 **CAUTION:** Before you begin any of the procedures in this section, follow the safety instructions located in the *Product Information Guide*.

If the message is not listed, see the documentation for the operating system or the program that was running when the message appeared.

A filename cannot contain any of the following characters: \ / : * ? " < > — Do not use these characters in filenames.
A required .DLL file was not found — The program that you are trying to open is missing an essential file. To remove and then reinstall the program: <ol style="list-style-type: none">1. Click the Start button, click Control Panel, and then click Add or Remove Programs.2. Select the program you want to remove.3. Click the Change or Remove Program icon.4. See the program documentation for installation instructions.
Alert! Previous attempts at booting this system have failed at checkpoint [nnnn]. For help in resolving this problem, please note this checkpoint and contact Dell Technical Support — Contact Dell (see Contacting Dell) and report the checkpoint code (nnnn) to the support technician.
Alert! Air temperature sensor not detected — For any computer type except the ultra small form-factor computer, ensure that all cables are securely fastened to the I/O panel and to the system board and reboot your computer. If this does not resolve the problem or if you have an ultra small form-factor computer, contact Dell (see Contacting Dell).
Attachment failed to respond — See Drive Problems .
Bad command or file name — Ensure that you spelled the command correctly, put spaces in the proper place, and used the correct pathname.
Bad error-correction code (ECC) on disk read — See Drive Problems .
Controller has failed — See Drive Problems .
Data error — See Drive Problems .
Decreasing available memory — See Lockups and Software Problems .
Diskette drive 0 seek failure — See Drive Problems .
Diskette read failure — See Drive Problems .
Diskette subsystem reset failed — Run the Dell Diagnostics (see Dell Diagnostics).
Diskette write protected — Slide the write-protect notch on the floppy disk to the open position.
Drive not ready — Put a floppy disk in the drive.
Gate A20 failure — See Lockups and Software Problems .

Hard-disk configuration error —

Hard-disk controller failure —

Hard-disk drive failure —

Hard-disk drive failure —

See [Drive Problems](#).

Insert bootable media — Insert a bootable floppy disk or CD.

Invalid configuration information - please run SETUP program — Enter system setup and correct the computer configuration information (see [Entering System Setup](#)).

Keyboard failure — See [Keyboard Problems](#).

Memory address line failure at address, read value expecting value — See [Lockups and Software Problems](#).

Memory allocation error —

1. Turn off the computer, wait 30 seconds, and then restart the computer.
2. Try to run the program again.
3. If the error message appears again, see the software documentation for additional troubleshooting suggestions.

Memory data line failure at address, read value expecting value —

Memory double word logic failure at address, read value expecting value —

Memory odd/even logic failure at address, read value expecting value —

Memory write/read failure at address, read value expecting value —

Memory size in CMOS invalid —

See [Lockups and Software Problems](#).

No boot device available —

1. If the floppy drive is your boot device, ensure that a bootable floppy disk is in the drive.
1. If the hard drive is your boot device, ensure that the cables are connected and that the drive is installed properly and partitioned as a boot device.
1. Enter system setup and ensure that the boot sequence information is correct (see [Entering System Setup](#)).

No boot sector on hard-disk drive — Enter system setup and ensure that the computer configuration information for the hard drive is correct (see [Entering System Setup](#)).

No timer tick interrupt — Run the Dell Diagnostics (see [Dell Diagnostics](#)).

Non-system disk or disk error — Replace the floppy disk with one that has a bootable operating system or remove the floppy disk from drive A and restart the computer.

Not a boot diskette — Insert a bootable floppy disk and restart your computer.

Not enough memory or resources. Close some programs and try again — Close all windows and open the program that you want to use. In some cases, you might have to restart your computer to restore computer resources. If so, run the program that you want to use first.

Operating system not found — Contact Dell (see [Contacting Dell](#)).

Plug and Play Configuration Error —

1. Turn your computer off, unplug it from the electrical outlet, and then remove all but one of the cards.
2. Plug in your computer and reboot it.
3. If the message reappears, the installed card might be malfunctioning. If the message does not reappear, turn off the computer and reinsert one of the other cards.
4. Repeat this process until you identify which card is malfunctioning.

Read fault —

Requested sector not found —

Reset failed —

See [Drive Problems](#).

Sector not found —

1. Run the Windows error-checking utility to check the file structure on the floppy disk or hard drive. See Windows Help for instructions.
1. If a large number of sectors are defective, back up the data (if possible), and then reformat the floppy disk or hard drive.

Seek error — See [Drive Problems](#).

Shutdown failure — Run the Dell Diagnostics (see [Dell Diagnostics](#)).

Time-of-day clock stopped —

Time-of-day not set-please run the System Setup program —

Enter system setup (see [Entering System Setup](#)) and correct the date or time. If the problem persists, replace the battery (see [Replacing the Battery](#)).

Timer chip counter 2 failed — Run the Dell Diagnostics (see [Dell Diagnostics](#)).

Unexpected interrupt in protected mode — Run the Dell Diagnostics (see [Dell Diagnostics](#)).

WARNING: Dell's Disk Monitoring System has detected that drive [0/1] on the [primary/secondary] EIDE controller is operating outside of normal specifications. It is advisable to immediately back up your data and replace your hard drive by calling your support desk or Dell —

If no replacement drive is immediately available and the drive is not the only bootable drive, enter system setup (see [Entering System Setup](#)) and change the appropriate drive setting to **None**. Then remove the drive from the computer.

Write fault —

Write fault on selected drive —

See [Drive Problems](#).

<drive letter>:\ is not accessible. The device is not ready — The selected drive cannot read its medium. Depending on its medium type, insert a floppy, CD, or Zip disk into the drive and try again.

Resolving Software and Hardware Incompatibilities

If a device is either not detected during the operating system setup or is detected but incorrectly configured, you can use Device Manager or the Hardware Troubleshooter to resolve the incompatibility.

Microsoft® Windows® XP

To resolve incompatibilities using Device Manager:

1. Click the **Start** button and click **Control Panel**.
2. Click **Performance and Maintenance** and click **System**.
3. Click the **Hardware** tab and click **Device Manager**.
4. In the **Device Manager** list, check for devices that are incorrectly configured.
Incorrectly configured devices are indicated by a yellow exclamation point (!) or a red x if the device has been disabled.
5. Double-click any device marked with an exclamation point to display the **Properties** window.
The **Device** status area in the **Properties** window reports the devices that need to be re-configured.
6. Reconfigure the devices or remove the devices from the **Device Manager**. See the documentation that came with the device for information on configuring the device.

To resolve incompatibilities using the Windows XP Hardware Troubleshooter:

1. Click the **Start** button and click **Help and Support**.
2. Type `hardware troubleshooter` in the **Search** field and click the arrow to start the search.
3. Click **Hardware Troubleshooter** in the **Search Results** list.
4. In the **Hardware Troubleshooter** list, click **I need to resolve a hardware conflict on my computer**, and click **Next**.

[Back to Contents Page](#)

Ultra Small Form Factor Computer

Dell™ OptiPlex™ 745 User's Guide

- [About Your Ultra Small Form Factor Computer](#)
- [Inside Your Computer](#)
- [Connecting the Power Adapter](#)
- [Badge](#)

About Your Ultra Small Form Factor Computer

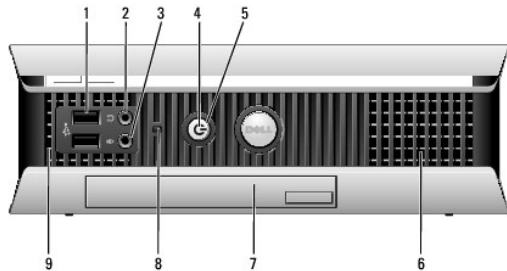
🔔 **NOTICE:** Do not place your monitor on the computer. Use a monitor stand.



🔔 **NOTICE:** When setting up your computer, secure all cables toward the back of your work area to prevent the cables from being pulled, tangled, or stepped on.

📌 **NOTE:** If you want to orient your computer under a desktop or on a wall surface, use the optional wall-mount bracket. To order this bracket, contact Dell (see [Getting Help](#)).

Front View



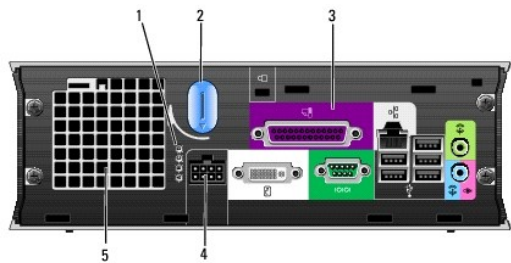
1	USB connectors (2)	Use the front USB connectors for devices that you connect occasionally, such as joysticks or cameras, or for bootable USB devices (see System Setup for more information about booting to a USB device). It is recommended that you use the back USB connectors for devices that typically remain connected, such as printers and keyboards.
2	headphone connector	Use the headphone connector to attach headphones and most kinds of speakers.
3	microphone connector	Use the microphone connector to attach a microphone.
4	power light	The power light illuminates and blinks or remains solid to indicate different states: <ul style="list-style-type: none"> 1 No light — The computer is turned off. 1 Steady green — The computer is in a normal operating state. 1 Blinking green — The computer is in a power-saving mode. 1 Blinking or solid yellow — See Power Problems. <p>To exit from a power-saving mode, press the power button or use the keyboard or the mouse if it is configured as a wake device in the Windows Device Manager. For more information about sleep modes and exiting from a power-saving mode, see Power Management.</p> <p>See System Lights for a description of light codes that can help you troubleshoot problems with your computer.</p>
5	power button	Press this button to turn on the computer. NOTICE: To avoid losing data, do not turn off the computer by pressing the power button. Instead, perform an operating system shutdown. See Turning Off Your Computer for more information.
6	vents	The vents help prevent your computer from overheating. To ensure proper ventilation, do not block these cooling vents.
7	module bay	Install a D-module optical drive, second hard drive, or floppy drive in the module bay.
8	hard-drive access light	The hard-drive access light is on when the computer reads data from or writes data to the hard drive. The light might also be on when devices such as your CD player are operating.
9	vents	The vents help prevent your computer from overheating. To ensure proper ventilation, do not block these cooling vents.

Side View



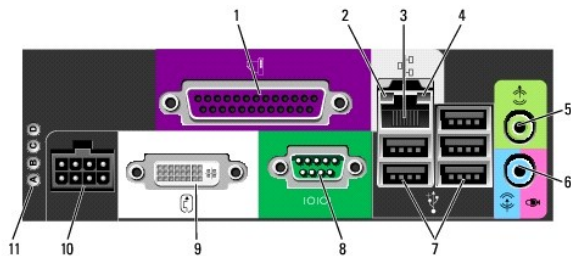
1	vents	The vents located on each side of the computer help prevent your computer from overheating. To ensure proper ventilation, do not block these cooling vents.
---	-------	---

Back View



1	diagnostic lights	See Diagnostic Lights for a description of light codes that can help you troubleshoot problems with your computer.
2	computer cover release knob	Rotate this knob in a clockwise direction to remove the cover.
3	back-panel connectors	The connectors for your computer (see Back-Panel Connectors).
4	power connector	Insert the power cable.
5	vents	The vents help prevent your computer from overheating. To ensure proper ventilation, do not block these cooling vents.

Back-Panel Connectors

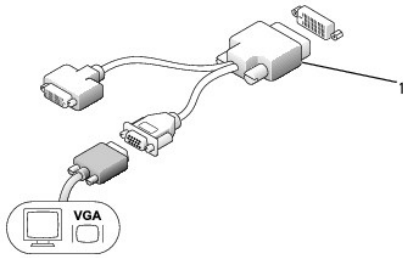


1	parallel connector	Connect a parallel device, such as a printer, to the parallel connector. If you have a USB printer, plug it into a USB connector.
2	link integrity light	<ul style="list-style-type: none"> 1 Green — A good connection exists between a 10-Mbps network and the computer. 1 Orange — A good connection exists between a 100-Mbps network and the computer. 1 Yellow — A good connection exists between a 1000-Mbps (1-Gbps) network and the computer. 1 Off — The computer is not detecting a physical connection to the network or the network controller is turned off in system setup.
3	network adapter	<p>To attach your computer to a network or broadband device, connect one end of a network cable to either a network jack or your network or broadband device. Connect the other end of the network cable to the network adapter connector on the back panel of your computer. A click indicates that the network cable has been securely attached.</p> <p>NOTE: Do not plug a telephone cable into the network connector.</p> <p>On computers with a network connector card, use the connector on the card.</p> <p>It is recommended that you use Category 5 wiring and connectors for your network. If you must use Category 3 wiring, force the</p>

		network speed to 10 Mbps to ensure reliable operation.
4	network activity light	The amber light flashes when the computer is transmitting or receiving network data. A high volume of network traffic may make this light appear to be in a steady "on" state.
5	line-out connector	Use the green line-out connector to attach an amplified speaker set.
6	line-in/microphone connector	Use the blue and pink line-in/ microphone connector to attach a record/playback device such as a cassette player, CD player, or VCR.; or a personal computer microphone for voice or musical input into a sound or telephony program.
7	USB connectors (5)	Use the back USB connectors for devices that typically remain connected, such as printers and keyboards.
8	serial connector	Connect a serial device, such as a handheld device, to the serial connector.
9	video connector	If you have a DVI-compatible monitor, plug the cable from your monitor into the white connector on the back panel. If you have a VGA monitor, see Connecting a VGA Monitor .
10	power connector	The connector for the power adapter.
11	diagnostic lights	See Diagnostic Lights for a description of light codes that can help you troubleshoot problems with your computer.

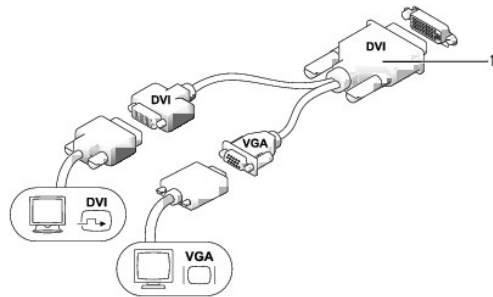
Connecting a VGA Monitor

If you have a VGA monitor, plug the adapter cable into the white DVI display connector and connect the monitor cable to the adapter.



1 adapter cable

Connecting Two Monitors



1 cable adapter

Use the cable adapter to connect a VGA monitor and a DVI monitor to the DVI-I connector on the back panel.

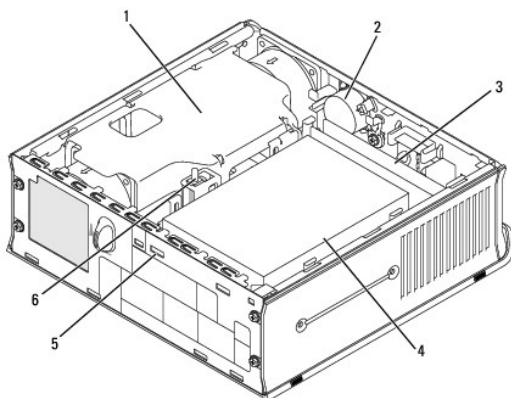
When you connect two monitors, the driver will detect this connection and activate the multimonitor functionality.

Inside Your Computer

⚠ CAUTION: Before you begin any of the procedures in this section, follow the safety instructions in the *Product Information Guide*.

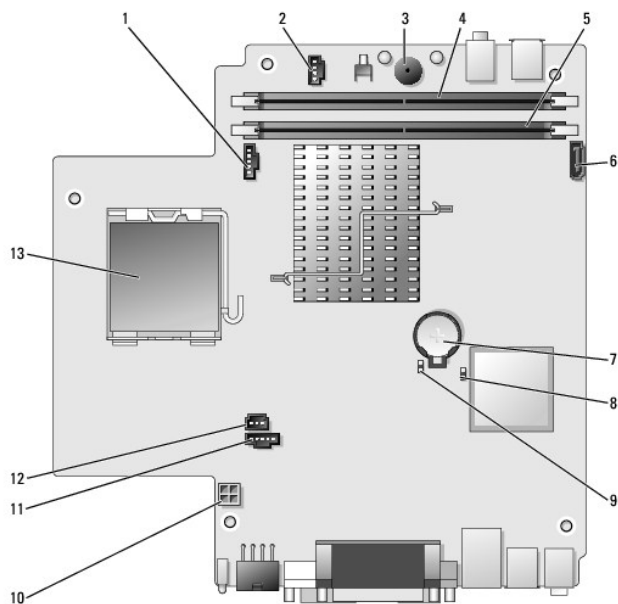
⚠ CAUTION: To avoid electrical shock, always unplug your computer from the power adapter before removing the cover.

🔌 NOTICE: To prevent static damage to components inside your computer, discharge static electricity from your body before you touch any of your computer's electronic components. You can do so by touching an unpainted metal surface on the computer chassis.



1 fan shroud/ heat sink assembly	4 hard drive
2 speaker (optional)	5 security cable slot
3 memory modules (2)	6 chassis intrusion switch

System Board Components

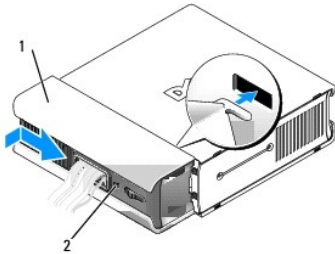


1 fan connector (FAN_FRONT)	8 clear CMOS jumper (RTCST)
2 internal speaker connector (INT_SPKR)	9 password jumper (PSWD)
3 system board speaker (BEEP)	10 hard-drive power connector (SATA_PWR)
4 channel B memory connector (DIMM_2)	11 fan connector (FAN_REAR)
5 channel A memory connector (DIMM_1)	12 intrusion switch connector (INTRUDER)
6 SATA data cable connector(SATA0)	13 processor (CPU)
7 battery (BATT)	

Cable Cover (Optional)

Attaching the Cable Cover

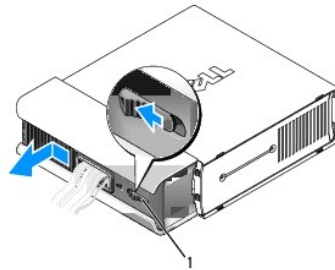
1. Ensure that all external device cables are threaded through the hole in the cable cover.
2. Connect all device cables to the connectors on the back of the computer.
3. Hold the bottom piece of the cable cover and align the four tabs with the four slots on the computer's back panel.
4. Insert the tabs into the slots and slide the piece toward the diagnostic lights (see the illustration) until the cable cover is securely positioned.
5. Install a security device in the security cable slot (optional).



1	cable cover
2	security cable slot

Removing the Cable Cover

1. If a security device is installed in the security cable slot, remove the device.



1	release button
---	----------------

2. Press on the release button, grasp the cable cover, and slide the cover to the left until it stops, and then lift the cable cover up and away.

Connecting the Power Adapter

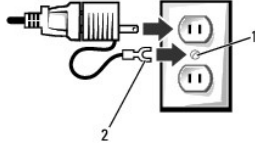
CAUTION: Before you begin any of the procedures in this section, follow the safety instructions in the *Product Information Guide*.

1. Connect the external power adapter to the connector on the back of the computer. In order for the connection to be secure, verify that the latch engages completely. (An audible click will be heard or felt.)
2. Connect one end of the AC power cable to the power adapter.

CAUTION: If your power adapter cable has a green grounding wire, *do not permit* contact between the green ground wire and power leads because electrical shock, fire, or damage to your computer can occur.



3. If your AC power cable has a green ground wire for connection to an electrical outlet, connect the metal ground connector to the grounding source on the outlet (see the following illustration):
 - a. Loosen the grounding source.
 - b. Slide the metal ground connector behind the grounding source, and then tighten the grounding source.



1	grounding source
2	metal ground connector

4. Connect the AC power cable to the outlet.



The power adapter has a status light is off when the AC adapter is not plugged into the outlet and green or amber for different states:

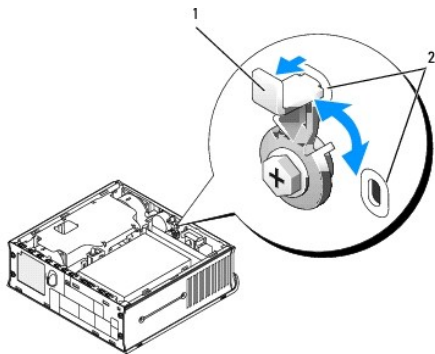
- 1 green light — solid green indicates the power adapter is connected to an AC outlet and the computer.
- 1 amber light — solid amber indicates the power adapter is connected to an AC outlet but not the computer. The computer will not operate in this condition. Connect the power adapter to the USFF system and/or reset the power adapter by disconnecting and reconnecting the AC mains.

Badge

⚠ CAUTION: Before you begin any of the procedures in this section, follow the safety instructions in the *Product Information Guide*.

The badge on the front of your computer can be rotated. To rotate the badge:

1. Remove the computer cover (see [Removing the Computer Cover](#)).
2. Pull on the lever to release the notch from the slot.
3. Rotate the badge to the desired position, ensuring that the notch is secured in the slot.



1	release lever
2	slots

Module Bay

⚠ CAUTION: Before you begin any of the procedures in this section, follow the safety instructions in the *Product Information Guide*.

You can install a Dell™ portable device such as a floppy drive, optical drive, or second hard drive in the module bay.

Your Dell computer ships with either an optical drive or an airbay (filler blank) installed in the module bay. You can secure a device in the module bay by two methods:

- 1 Locking switch (accessed by removing the computer cover)
- 1 Device screw (packaged separately)

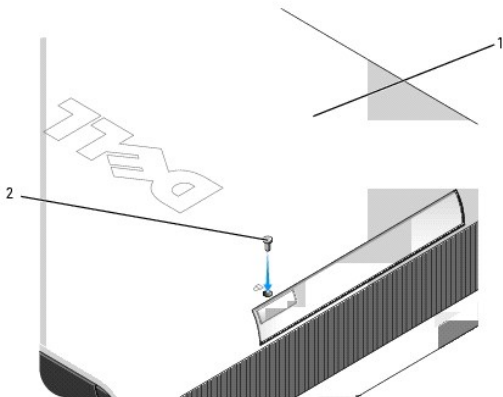
See [Securing a Device in the Module Bay](#) for more information about securing a device in your computer.

🔒 NOTICE: To prevent damage to devices, place them in a safe, dry place when they are not installed in the computer. Avoid pressing down on them or placing heavy objects on top of them.

Installing a Device When Your Computer Is Turned Off

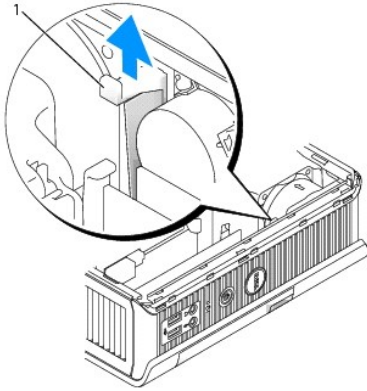
To install a device in the module bay:

1. If the module bay contains an airbay instead of a device, pull the airbay out of the module bay and skip to [step 5](#). If the airbay is locked, remove the device screw.



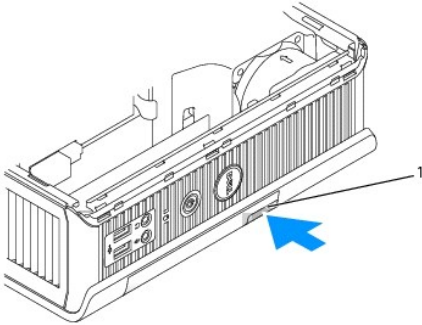
1	bottom of computer
2	device screw

2. If the module bay contains a device that is locked, remove the cover (see [Removing the Computer Cover](#)) and move the module locking switch to the unlocked position by raising the locking switch. If a device screw is used, remove the screw.



1 module locking switch

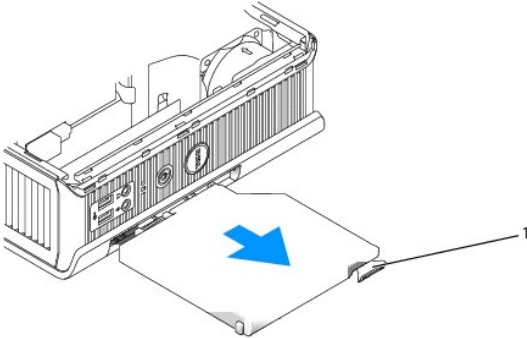
3. Press the device latch release so that the latch release pops out.



1 device latch release

🚫 **NOTICE:** Do not place any heavy objects on top of the computer. Doing so may bend the chassis and cause difficulty in removing a module device.

4. Pull the device by the latch release to remove the device from the module bay.





1 latch release

5. Slide the new device into the module bay.
6. If desired, you may lock the new device in the module bay by moving the module locking switch to the locked position.
7. If you removed the cover to lock the device in the module bay, replace the computer cover (see [Replacing the Computer Cover](#)).

Installing a Device When Your Computer Is Running Microsoft® Windows®

1. If a device is installed in the module bay, double-click the **Safely Remove Hardware** icon on the taskbar.
2. Click the device you want to eject.

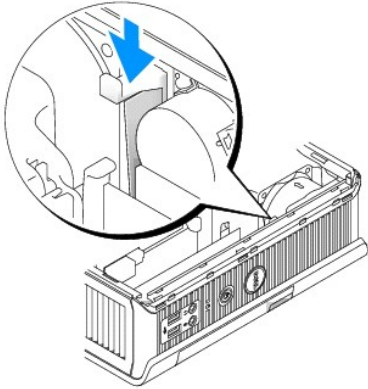
 **NOTE:** You cannot remove a device if your computer is turned on and the device is locked in the module bay. You must shut down the computer and follow the steps in [Installing a Device When Your Computer Is Turned Off](#) to remove a locked device.

 **NOTICE:** Do not place any heavy objects on top of the computer. Doing so may bend the chassis and cause difficulty in removing a module device.

3. When a computer message indicates that you can remove the device, unplug the device from the computer.
4. Slide the new device into the module bay.

Securing a Device in the Module Bay

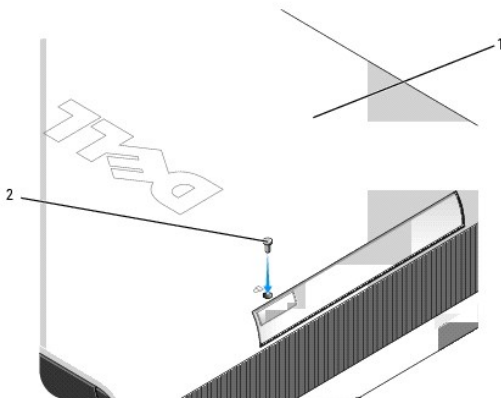
1. To secure a device in the module bay, your computer is equipped with a module locking switch. To use this switch:
 - a. Remove the computer cover (see [Removing the Computer Cover](#)).
 - b. Gently press the module locking switch down until it locks into place.



- c. Replace the computer cover (see [Replacing the Computer Cover](#)).

The module cannot be removed from the computer until the module locking switch is unlocked by pulling it up into its original position.

2. You may also secure a device in the module bay by using a device screw (packaged separately).







1	bottom of computer
2	device screw

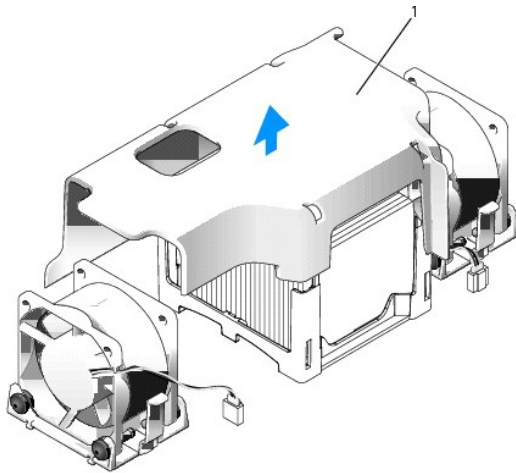
Dell™ OptiPlex™ 745 User's Guide

Processor


Processor

-  **CAUTION:** Before you begin any of the procedures in this section, follow the safety instructions in the *Product Information Guide*.
-  **CAUTION:** To guard against electrical shock, always unplug your computer from the electrical outlet before removing the cover.
-  **NOTICE:** When replacing the processor, do not touch the underside of the new processor.
-  **NOTICE:** When replacing the processor, do not touch any of the pins inside the socket or allow any objects to fall on the pins in the socket.

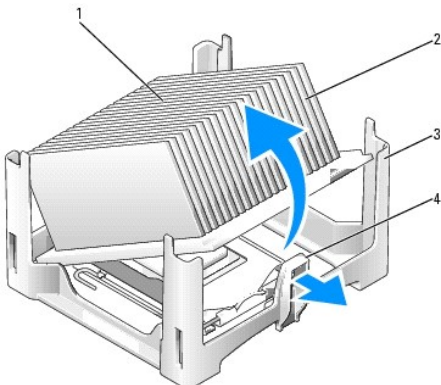
1. Follow the procedures in [Before You Begin](#).
2. Remove the fan shroud by lifting the fan shroud up and away from the computer.



1 fan shroud

-  **CAUTION:** The heat sink can get extremely hot. Ensure that the heat sink has had sufficient time to cool before you touch it.

3. Remove the heat sink.
 - a. Remove the memory module closest to the heat sink (see [Installing Memory](#)).
 - b. Press the release lever on the retention base until the heat sink is released.

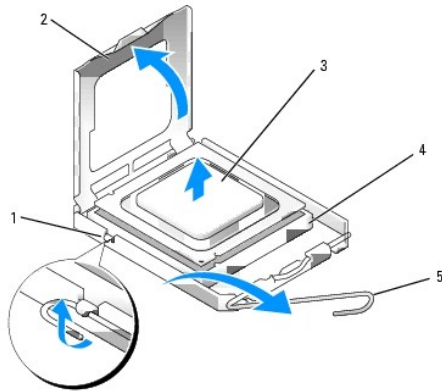


1	top of heat sink
2	heat sink
3	retention base
4	release lever

- c. Gently lift the heat sink from the processor.
- d. Lay the heat sink down on its top, with the thermal grease facing upward.

➡ **NOTICE:** Unless a new heatsink is required for the new processor, reuse the original heat sink assembly when you replace the processor.

4. Pull the release lever straight up until the processor is released, and then remove the processor from the socket.



1	center cover latch
2	processor cover
3	processor
4	socket
5	release lever

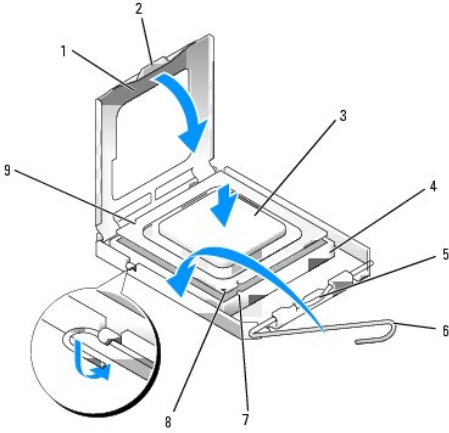
➡ **NOTICE:** Ground yourself by touching an unpainted metal surface on the back of the computer.

➡ **NOTICE:** When replacing the processor, do not touch any of the pins inside the socket or allow any objects to fall on the pins in the socket.

5. Unpack the new processor, being careful not to touch the underside of the processor.
6. If the release lever on the socket is not fully extended, move it to that position.
7. Orient the front and rear alignment-notches on the processor with the front and rear alignment- notches on the socket.
8. Align the pin-1 corners of the processor and socket.

➡ **NOTICE:** To avoid damage, ensure that the processor aligns properly with the socket, and do not use excessive force when you install the processor.

9. Set the processor lightly in the socket and ensure that the processor is positioned correctly.
10. When the processor is fully seated in the socket, pivot the release lever back toward the socket until it snaps into place to secure the processor.



1	processor cover	6	release lever
2	tab	7	front alignment-notch
3	processor	8	socket and processor pin-1 indicator
4	processor socket	9	rear alignment-notch
5	center cover latch		

If you are installing a processor replacement kit from Dell, return the processor to Dell in the same package in which your replacement kit was sent.

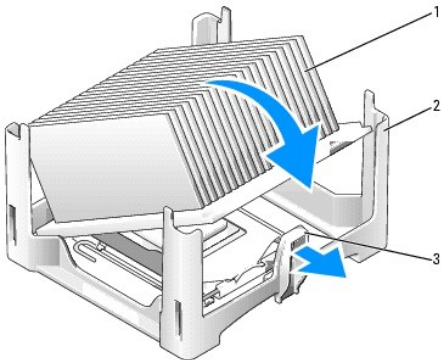
➡ **NOTICE:** Ground yourself by touching an unpainted metal surface on the back of the computer.

11. Clean the thermal grease from the bottom of the heat sink.

➡ **NOTICE:** Ensure that you apply new thermal grease. New thermal grease is critical for ensuring adequate thermal bonding, which is a requirement for optimal processor operation.

12. Apply the new thermal grease to the top of the processor.

13. Place one end of the heat sink under the tab on the retention base on the side opposite the release lever.



1	heat sink
2	retention base
3	release lever

14. Lower the heat sink onto the processor so that the heat sink fits securely under the tab on the other end of the retention base.

15. Replace the computer cover (see [Replacing the Computer Cover](#)).

16. Replace the cable cover, if used (see [Cable Cover \(Optional\)](#)).

[Back to Contents Page](#)

Drives


Dell™ OptiPlex™ 745 User's Guide

- [Hard Drive](#)
- [Replacing a Hard-Drive Fan](#)

Your computer supports:

- 1 One SATA (serial ATA) hard drive
- 1 One optional D-module optical drive, second hard drive, or floppy drive in the module bay

General Installation Guidelines

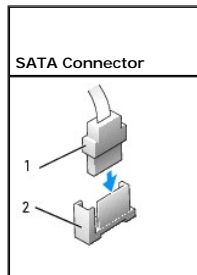
 **NOTE:** For information on installing D-module drives, see the documentation that came with your optional device.

A SATA hard drive should be connected to the connector labeled "SATA0" on the system board (see [System Board Components](#)).

Connecting Drive Cables


When you install a drive, you connect two cables—a DC power cable and a data cable—to the back of the drive.

Drive Interface Connectors

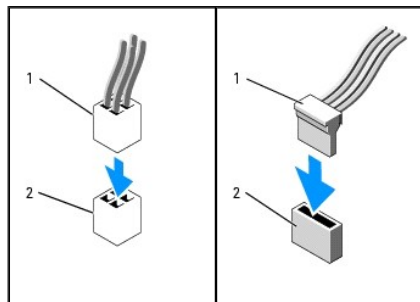


1	interface cable connector
2	interface connector

Most interface connectors are keyed for correct insertion; that is, a notch or a missing pin on one connector matches a tab or a filled-in hole on the other connector. Keyed connectors ensure that the pin-1 wire in the cable (indicated by the colored stripe along one edge of certain cables—SATA cables do not use a colored stripe) goes to the pin-1 end of the connector. The pin-1 end of a connector on a board or a card is usually indicated by a silk-screened "1" printed directly on the board or card.

 **NOTICE:** Inserting a cable incorrectly prevents the drive from operating and could damage the controller, the drive, or both.

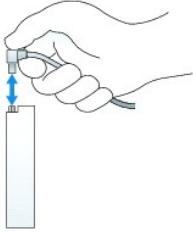
Power Cable Connectors



1	power cable
2	power input connector

Connecting and Disconnecting Drive Cables

When connecting and disconnecting a SATA data cable, hold the cable by the black connector at each end. When removing a cable with a pull-tab, grasp the colored pull-tab and pull until the connector detaches.

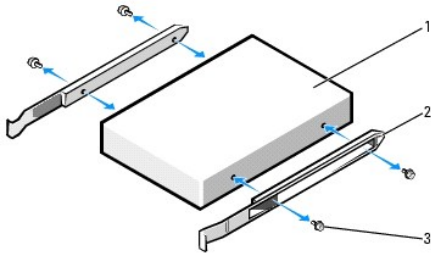


Hard Drive

- ⚠ CAUTION:** Before you begin any of the procedures in this section, follow the safety instructions in the *Product Information Guide*.
- ⚠ CAUTION:** To guard against electrical shock, always unplug your computer from the power supply before removing the hard drive.
- 🔍 NOTICE:** To prevent static damage to components inside your computer, discharge static electricity from your body before you touch any of your computer's electronic components. You can do so by touching an unpainted metal surface on the computer chassis.
- 🔍 NOTICE:** To avoid damage to the drive, do not set it on a hard surface. Instead, set the drive on a surface, such as a foam pad, that will sufficiently cushion it.

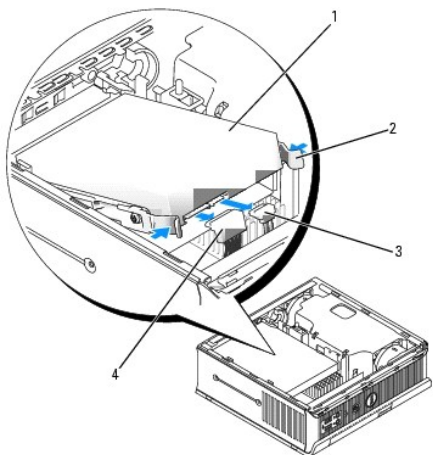
Installing a Hard Drive

1. If you are installing a new drive, rather than replacing a drive, attach the drive rails—located inside the cover—to the new drive and proceed with [step 8](#).



1	drive
2	drive rails (2)
3	screws (4)

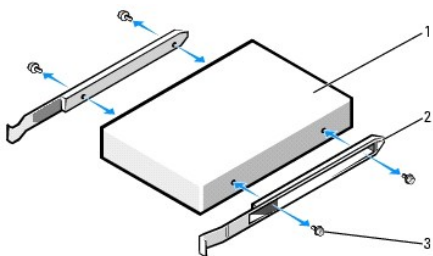
2. If you are replacing a hard drive that contains data you want to keep, back up your files before you begin this procedure.
3. Check the documentation for the drive to verify that the drive is configured for your computer.
4. Follow the procedures in [Before You Begin](#).
5. Grasp the drive rails, push the two rails toward each other, slide the drive slightly forward, and rotate the hard drive up and away from the bracket.



1	hard drive
2	drive rails (2)
3	power cable connector
4	data cable connector

6. Remove the data and power cables from the drive connectors.

7. Remove the drive rails from the existing hard drive, and attach the drive rails to the replacement hard drive.

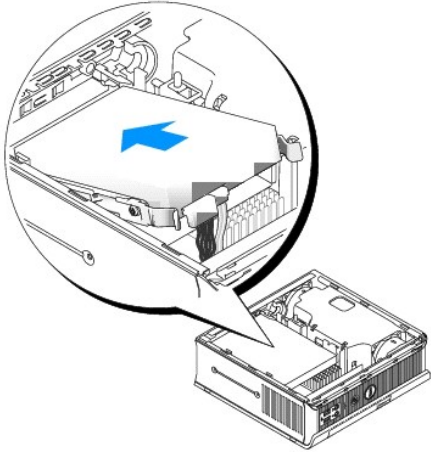


1	drive
2	drive rails (2)
3	screws (4)

➡ **NOTICE:** Serial ATA data and power connectors are keyed for correct insertion: that is, a notch or a missing pin on one connector matches a tab or a filled-in hole on the other connector. When connecting cables to a drive, ensure that the connectors are oriented properly before you attach the cables to the drive.

8. Attach the data and power cables to the hard drive connectors, ensuring that the connectors are properly oriented before connecting them.

9. Slide the hard drive into the bracket.



10. Replace the computer cover (see [Replacing the Computer Cover](#)).

11. Replace the cable cover, if used.

See the documentation that came with the drive for instructions on installing any software required for drive operation.

12. Reboot the computer.

13. Partition and logically format your drive before you proceed to the next step.

For instructions, see the documentation that came with your operating system.

14. Test the hard drive by running the Dell Diagnostics (see [Dell Diagnostics](#)).

15. Install your operating system on the hard drive.

For instructions, see the documentation that came with your operating system.

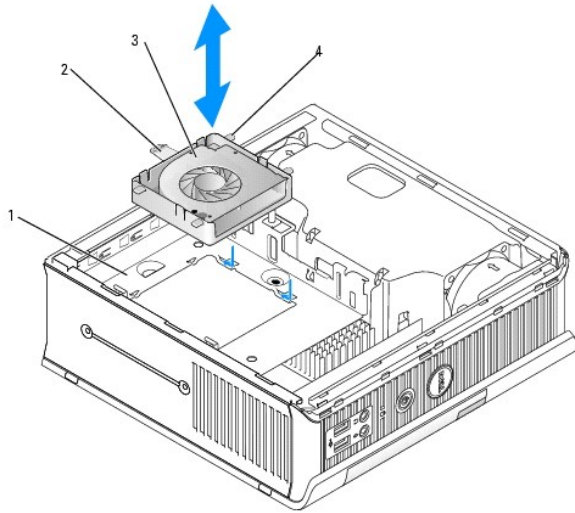
Replacing a Hard-Drive Fan

1. Follow the instructions in [Before You Begin](#).

2. Remove the hard drive (see [Hard Drive](#)).

3. To remove the hard-drive fan:

- a. Unplug the fan.
- b. Press the release tab on the rear of the fan.
- c. Without letting go of the release tab, slide the fan towards the front of the system, so that its side tabs are free of the corresponding slots in the hard drive-bracket.
- d. Lift to remove the fan from the hard-drive bracket.



1	hard-drive bracket
2	fan release tab
3	fan
4	side tab

4. To replace the hard-drive fan:
 - a. Align its four side tabs and release tab with the five corresponding slots in the hard-drive bracket.
 - b. Slide the release tab beneath the metal housing covering its slot and as you slide the fan towards the rear of the computer, the other four tabs should slide into place.

[Back to Contents Page](#)

Dell™ OptiPlex™ 745 User's Guide

● [Removing the Computer Cover](#)

Removing the Computer Cover

⚠ CAUTION: Before you begin any of the procedures in this section, follow the safety instructions in the *Product Information Guide*.

👉 NOTICE: To prevent static damage to components inside your computer, discharge static electricity from your body before you touch any of your computer's electronic components. You can do so by touching an unpainted metal surface on the computer chassis.

1. Follow the procedures in [Before You Begin](#).

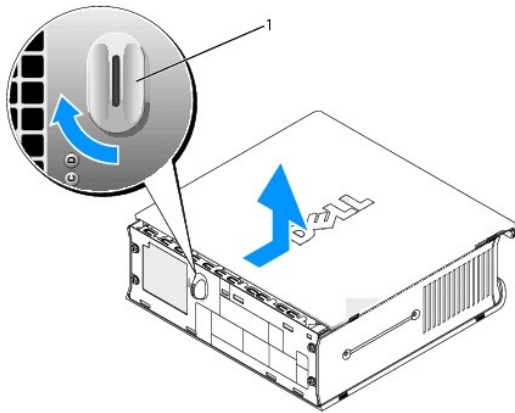
👉 NOTICE: Before touching anything inside your computer, ground yourself by touching an unpainted metal surface. While you work, periodically touch an unpainted metal surface to dissipate any static electricity that could harm internal components.

2. If applicable, remove the cable cover, (see [Cable Cover \(Optional\)](#)).

3. Remove the computer cover:

- a. Rotate the cover release knob in a clockwise direction, as shown in the illustration.
- b. Slide the computer cover forward by 1 cm (½ inch), or until it stops, and then raise the cover.

⚠ CAUTION: Graphic card heatsinks can become very hot during normal operation. Ensure that a graphic card heatsink has had sufficient time to cool before you touch it.



1 | release knob

Dell™ OptiPlex™ 745 User's Guide

● [Ultra Small Form Factor Computer Specifications](#)

Ultra Small Form Factor Computer Specifications

Microprocessor	
Microprocessor type	Intel® Pentium® 4, Pentium® D, Celeron®, or Core™ processor
Internal cache	At least 512 KB pipelined-burst, eight-way set associative, write-back SRAM

Memory	
Type	533 or 667 MHz DDR2 SDRAM
Memory connectors	2
Memory modules supported	256 MB, 512 MB, 1 GB, or 2 GB non-ECC
Minimum memory	dual-channel: 512 MB; single-channel: 256 MB
Maximum memory	4 GB
BIOS address	F0000h

Computer Information	
Chipset	Intel® Q965 Express
Data bus width	64 bits
Address bus width	32 bits
DMA channels	eight
Interrupt levels	24
BIOS chip (NVRAM)	8 Mb
NIC	integrated network interface with ASF 1.03 and 2.0 support as defined by DMTF Capable of 10/100/1000 communication

Video	
Type	Intel® Graphics Media Accelerator 3000 with integrated DVI-I with dual-monitor support

Audio	
Type	ADI 1983 High Definition Audio
Stereo conversion	20-bit analog-to-digital; 20-bit digital-to-analog

Controllers	
Drives	one serial ATA controller supporting one device

Expansion Bus	
Bus type	SATA 1.0a and 2.0; USB 2.0
Bus speed	SATA: 1.5 and 3.0 Gbps; USB: 480 Mbps

	
---------	--

Drives	
Externally accessible	one D-module bay for an optical drive, second hard drive, or floppy drive
Internally accessible	one bay for a 1-inch-high hard drive

Connectors	
External connectors:	
Serial	9-pin connector; 16550C-compatible
Parallel	25-hole connector (bidirectional)
Video	28-hole DVI connector
Network adapter	RJ45 connector
USB	two front-panel and five back-panel USB 2.0-compliant connectors
Audio	two back-panel connectors for line-in/ microphone and line-out; two front-panel connectors for headphones and microphone
D-Dock	standard D-dock connector for devices such as D-Dock advanced port replicators and expansion stations.
System board connectors:	
SATA	7-pin connector
Fan	one 3-pin and two 5-pin connectors

Key Combinations	
<Ctrl><Alt>	in Microsoft® Windows® XP, brings up the Windows Security window; in MS-DOS® mode, restarts (reboots) the computer
<F2> or <Ctrl><Alt><Enter>	starts embedded system setup (during system start-up only)
<Ctrl><Alt>	automatically starts the computer from the network environment specified by the remote boot environment (PXE) rather than from one of the devices in the system setup Boot Sequence option (during start-up only)
<F12> or <Ctrl><Alt><F8>	displays a boot device menu that allows the user to enter a device for a single boot (during system start-up only) as well as options to run hard-drive and system diagnostics

Controls and Lights	
Power control	push button
Power light	green light — Blinking green indicates a sleep mode; solid green indicates the power-on state. amber light — Blinking amber indicates a problem with an installed device; solid amber indicates an internal power problem (see Power Problems).
Power supply status light	green light — Solid green indicates the power adapter is connected to an AC outlet and the computer. amber light — Solid amber indicates the power adapter is connected to an AC outlet but not the computer.
Hard-drive access light	green
Link integrity light (on integrated network adapter)	green light for 10-Mb operation; orange light for 100-Mb operation; yellow light for a 1000-Mb (1-Gb) operation
Activity light (on integrated network adapter)	yellow blinking light
Diagnostic lights	four lights on the back panel. See Diagnostic Lights .
Standby power light	AUX_PWR on the system board

Power	
DC external power supply:	NOTE: Power consumption can be zero when the

	computer is unplugged.
Wattage	220 W
Heat dissipation	751 BTU/hr NOTE: Heat dissipation is calculated based upon the power supply rating.
Voltage	auto-sensing power supplies — 90 to 135 V at 50/60 Hz; 180 to 265 V at 50/60 Hz
Backup battery	3-V CR2032 lithium coin cell

Physical	
Without cable cover:	
Height	26.4 cm (10.375 inches)
Width	8.9 cm (3.5 inches)
Depth	25.3 cm (9.95 inches)
Weight	4.5 kg (10 lb)
With standard cable cover:	
Height	26.4 cm (10.375 inches)
Width	8.9 cm (3.5 inches)
Depth	33 cm (13 inches)
Weight	4.9 kg (10.8 lb)
With extended cable cover:	
Height	26.4 cm (10.375 inches)
Width	8.9 cm (3.5 inches)
Depth	36.1 cm (14.2 inches)

Environmental	
Temperature:	
Operating	10° to 30°C (50° to 86°F)
Storage	-40° to 65°C (-40° to 149°F)
Relative humidity	20% to 80% (noncondensing)
Maximum vibration:	
Operating	0.25 G at 3 to 200 Hz at 0.5 octave/min
Storage	0.5 G at 3 to 200 Hz at 1 octave/min
Maximum shock:	
Operating	bottom half-sine pulse with a change in velocity of 50.8 cm/sec (20 inches/sec)
Storage	27-G faired square wave with a velocity change of 508 cm/sec (200 inches/sec)
Altitude:	
Operating	-15.2 to 3048 m (-50 to 10,000 ft)
Storage	-15.2 to 10,668 m (-50 to 35,000 ft)

[Back to Contents Page](#)

Dell™ OptiPlex™ 745 User's Guide

Ultra Small Form Factor Computer






About Your Computer

[Finding Information](#)
[Ultra Small Form Factor Computer](#)
[Ultra Small Form Factor Computer Specifications](#)
[Advanced Features](#)
[Cleaning Your Computer](#)
[Reinstalling Drivers and the Operating System](#)
[Solving Problems](#)
[Microsoft® Windows® XP Features](#)
[Troubleshooting Tools and Utilities](#)
[Getting Help](#)
[Warranty](#)
[FCC Notices \(U.S. Only\)](#)
[Glossary](#)

Removing and Replacing Parts

[Before You Begin](#)
[Removing the Computer Cover](#)
[Chassis Intrusion Switch](#)
[Drives](#)
[Module Bay](#)
[Processor](#)
[Battery](#)
[Replacing the System Board](#)
[Memory](#)
[Replacing the Computer Cover](#)

Notes, Notices, and Cautions

-  **NOTE:** A NOTE indicates important information that helps you make better use of your computer.
-  **NOTICE:** A NOTICE indicates either potential damage to hardware or loss of data and tells you how to avoid the problem.
-  **CAUTION:** A CAUTION indicates a potential for property damage, personal injury, or death.

If you purchased a Dell™ n Series computer, any references in this document to Microsoft® Windows® operating systems are not applicable.

Information in this document is subject to change without notice.
© 2006 Dell Inc. All rights reserved.

Reproduction in any manner whatsoever without the written permission of Dell Inc. is strictly forbidden.

Trademarks used in this text: *Dell*, the *DELL* logo, *OptiPlex*, *Inspiron*, *Dimension*, *Latitude*, *Dell Precision*, *DellNet*, *TravelLite*, *Dell OpenManage*, *PowerVault*, *Axim*, *PowerEdge*, *PowerConnect*, and *PowerApp* are trademarks of Dell Inc.; *Intel*, *Pentium*, and *Celeron* are registered trademarks of Intel Corporation; *Microsoft*, *MS-DOS*, and *Windows* are registered trademarks of Microsoft Corporation; *IBM* is a registered trademark of International Business Machines Corporation; *Bluetooth* is a trademark owned by Bluetooth SIG, Inc. and is used by Dell Inc. under license. *ENERGY STAR* is a registered trademark of the U.S. Environmental Protection Agency. As an ENERGY STAR partner, Dell Inc. has determined that this product meets the ENERGY STAR guidelines for energy efficiency.

Other trademarks and trade names may be used in this document to refer to either the entities claiming the marks and names or their products. Dell Inc. disclaims any proprietary interest in trademarks and trade names other than its own.

Models: DCTR, DCNE, DCSM, and DCCY

June 2006 KH288 Rev. A00

[Back to Contents Page](#)

Warranty

Dell™ OptiPlex™ 745 User's Guide

Dell Inc. ("Dell") manufactures its hardware products from parts and components that are new or equivalent to new in accordance with industry-standard practices. For information about the Dell warranty for your computer, see the *Product Information Guide* or separate paper warranty document that shipped with your computer.

[Back to Contents Page](#)