



XAF Fan Series

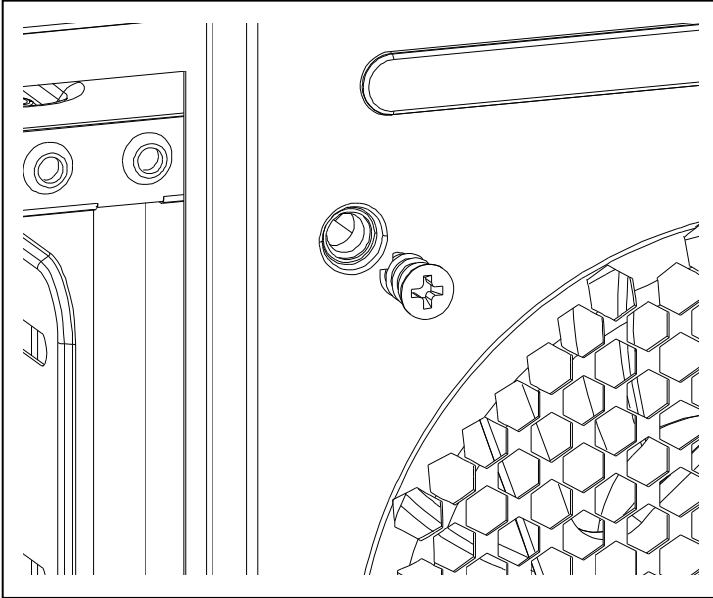
Overview

- ❑ XAF-Series Cooper bushing axis, can guarantee exceptional running smoothness and provide excellent long-term stability.
- ❑ Round frame of 140mm fan could be installed on 120mm mounting holes; Wave Shaped and small hub dimension generate extra high airflow.
- ❑ PWM function from 800 to 1300 RPM, XAF series achieves a superior airflow/noise ratio and an ideal fan.

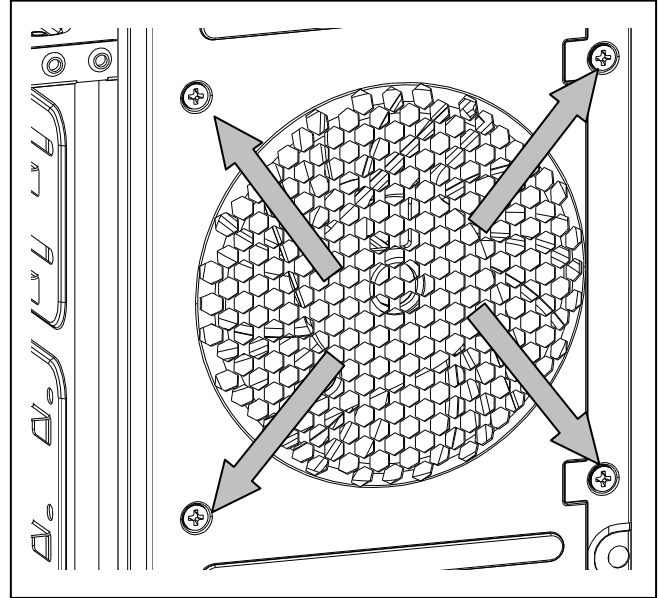
Features

- ❑ Copper bushing axis Bearing to provide long-term life and stability.
- ❑ Waveform and enhanced lubricant circuits to provide outstanding aerodynamic efficiency.
- ❑ Wave Shaped and small hub dimension generate extra high airflow.
- ❑ Round frame of 140mm fan able to be installed on 120mm or 140mm mounting holes.
- ❑ Wide range of PWM function (800 to 1300 RPM) to simply and easily adjusting fan speed with the latest ETC IC.
- ❑ Wave Blade technology increases 25% of air flow and drops 10% noise.

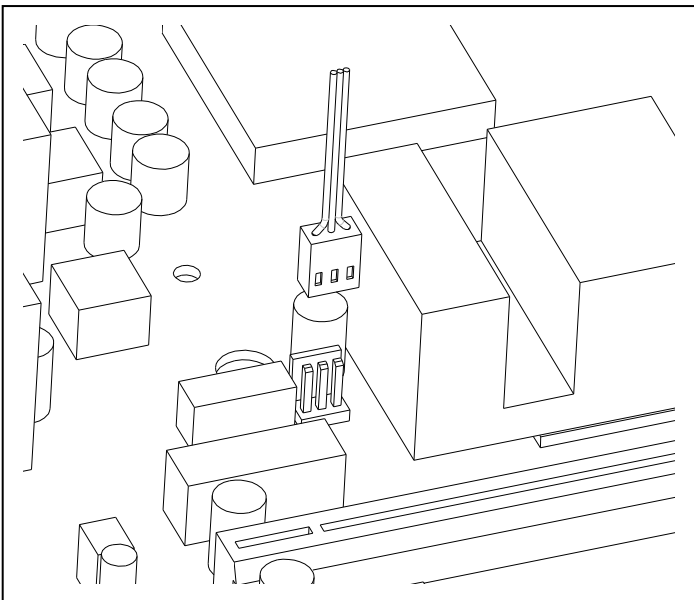
For chassis



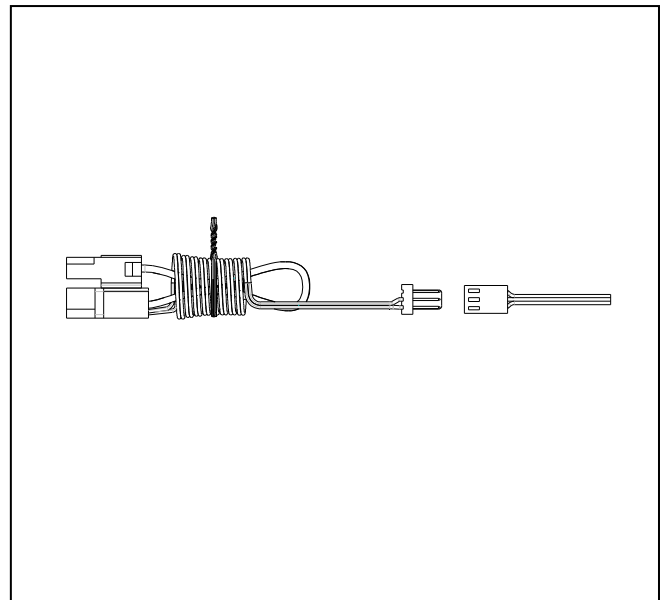
Assemble Fan by screw-down 4 fixing screws through the case mounting holes and the fan.



Repeat the same action for all four corners of the fan.



Connect the 3-Pin power connector to motherboard.



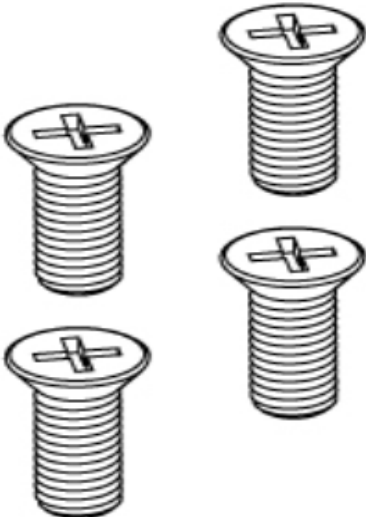
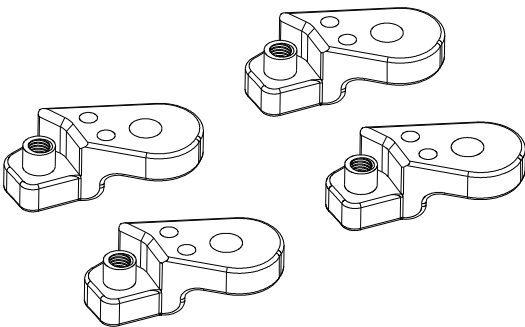
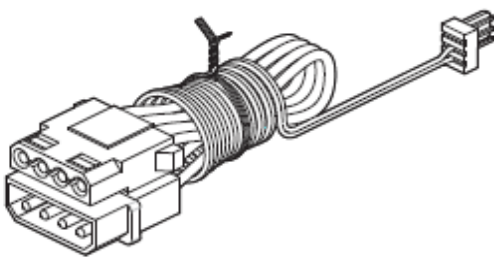
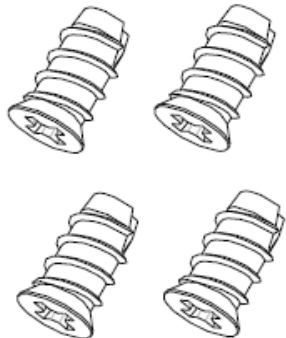
You also can use the power adapter which included in the package for different power source.



Specification

Product Name	XAF-F1453
Product Number	CFP-DYGWL-KU3
Material	P.B.T.
Dimension	140(L) x 140(W) x 25(H)mm
Voltage Rating	12V
Start Voltage	$\leq 8V$
Speed	800~1300 R.P.M.
Bearing Type	Aeronautical Oil System Bearing
Air Flow	90.3 CFM
Air Pressure	1.08 mmH ² O
Life Expectance	150,000 hrs
Noise Level	18 dBA
Fan Color	Black housing red leaf
Connector	4 pin with PWM
Application	All system or cooler
Accessory	4 Pin adaptor
	M5 Screw

Accessory

	
M3 screw x 4	14cm mounting hole board x 4
	
4 Pin adaptor x 1	M5 screw x 4