

# AMD AM2 65W Thermal Solution

**P/N : CL-P0503**

## AMD AM2 Thermal Solution

Application for AMD Athlon 64X2/Athlon 64/Sempron  
(Socket AM2/K8)



Top View



Bottom View



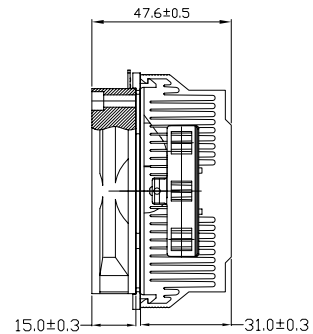
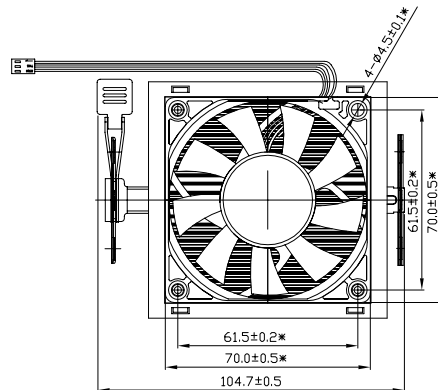
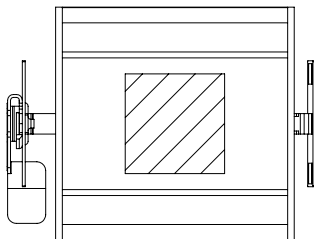
Side View

| SPECIFICATION      |   |
|--------------------|---|
| Compatibility      | AMD Athlon 64X2/Athlon 64/Sempron (Socket AM2/K8) |
| Dimension          | 104.7 x 80.7 x 47.6 mm                            |
| Fan Dimension      | 70 x 70 x 15 mm                                   |
| Heat Sink Material | Aluminum Extrusion Heatsink                       |
| Rated Voltage      | 12 V  |
| Operating Range    | 10.8~13.2 V                                       |
| Starting Voltage   | 7 V   |
| Rated Current      | 0.22 A  |
| Locked Current     | 0.26 A  |
| Power Consumption  | 2.64 W  |
| Rated Speed        | 2900 rpm $\pm$ 10%                                |
| Air Flow           | 18.58 CFM   |
| Static Pressure    | 2.11 mmH <sub>2</sub> O                           |
| Noise Level        | 29.5 dBA (Max.)                                   |
| Connector          | 3 Pin   |
| Bearing            | Rifle Bearing                                     |
| Life expectancy    | 40,000 Hrs  |
| Weight             | 243 g   |

## FEATURES:

- Excellent ratio aluminum extrusion heatsink for better heat dissipation
- Silent solution
- Optimized solution for low power processors (65W)
- Tool-free clip and easy installation

## DIMENSION



Unit: mm