



**Selection Guide** (3000pcs/Reel)

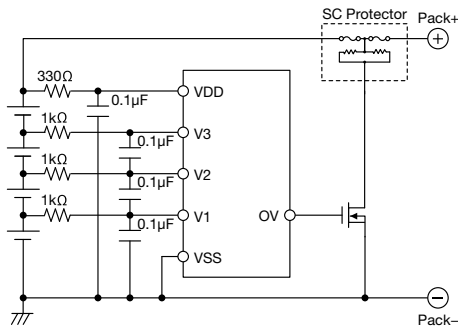
Product name	Package	Function	Overcharge detection voltage [V]	Overcharge hysteresis voltage[mV]	Overcharge detection dead time [s]	Output type
			V <sub>CELLU</sub>	V <sub>HYS</sub>	T <sub>ov</sub>	
MM3284ANREH	SOT-26A	1 to 4 cells	4.350±0.030	200±60	1.2	CMOS Output Active High
MM3284CNREH	SOT-26A	1 to 4 cells	4.350±0.030	1000±200	10	
MM3284CRRE	SSON-6A	1 to 4 cells	4.350±0.030	1000±200	10	
MM3284ENREH	SOT-26A	1 to 4 cells	4.450±0.030	200±60	1.2	
MM3284FNREH	SOT-26A	1 to 4 cells	4.350±0.030	V4 : 680±100 V3 to V1 : 340±100	1.2	
MM3284GRRE	SSON-6A	1 to 4 cells	4.450±0.030	1000±200	10	
MM3284HNREH	SOT-26A	1 to 4 cells	4.350±0.030	1000±200	5.0	
MM3284INREH	SOT-26A	1 to 4 cells	4.450±0.030	1000±200	5.0	
MM3284JRRE	SSON-6A	1 to 4 cells	4.400±0.030	1000±200	10	
MM3284MRRE	SSON-6A	1 to 4 cells	4.280±0.030	1000±200	4.1	
MM3284NNREH	SOT-26A	1 to 4 cells	4.450±0.030	200±60	4.1	
MM3284PNREH	SOT-26A	1 to 4 cells	4.300±0.030	V4 : 620±100 V3 to V1 : 270±100	2.0	
MM3284RNREH	SOT-26A	1 to 4 cells	4.450±0.030	V4 : 750±100 V3 to V1 : 420±100	2.0	
MM3284TRRE	SSON-6A	1 to 4 cells	4.220±0.030	1000±200	10	
MM3284URRE	SSON-6A	1 to 4 cells	4.220±0.030	200±60	0.1	

Please inquire to us, if you request a rank other than the above.

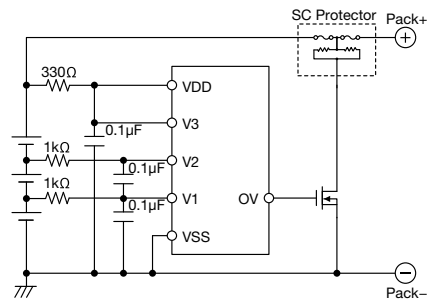
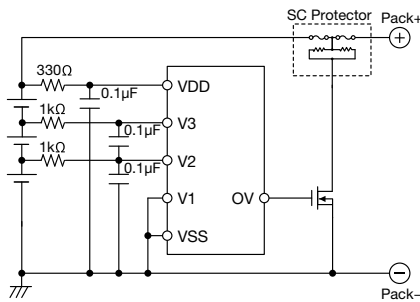
• Any products mentioned in this catalog are subject to any modification in their appearance and others for improvements without prior notification.  
 • The details listed here are not a guarantee of the individual products at the time of ordering. When using the products, you will be asked to check their specifications.

Application Circuit

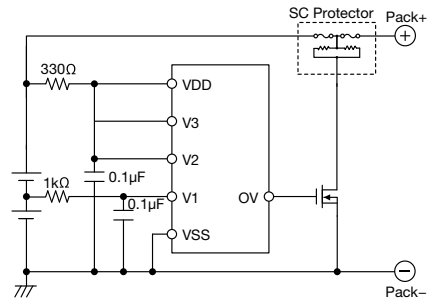
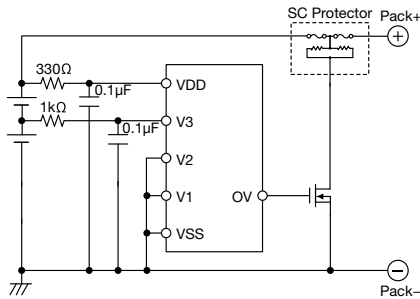
(1) When using it for 4 cells



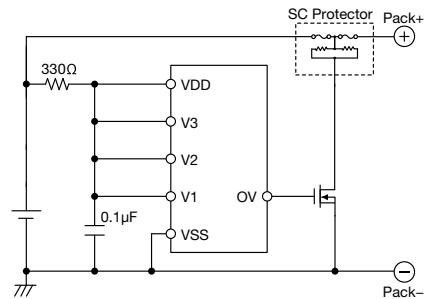
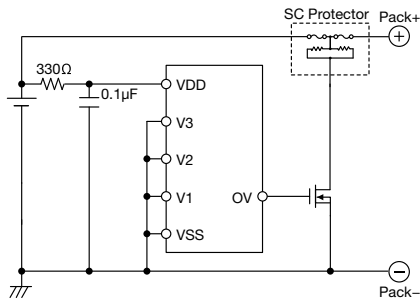
(2) When using it for 3 cells



(3) When using it for 2 cells



(4) When using it for 1 cell



• Any products mentioned in this catalog are subject to any modification in their appearance and others for improvements without prior notification.  
 • The details listed here are not a guarantee of the individual products at the time of ordering. When using the products, you will be asked to check their specifications.