



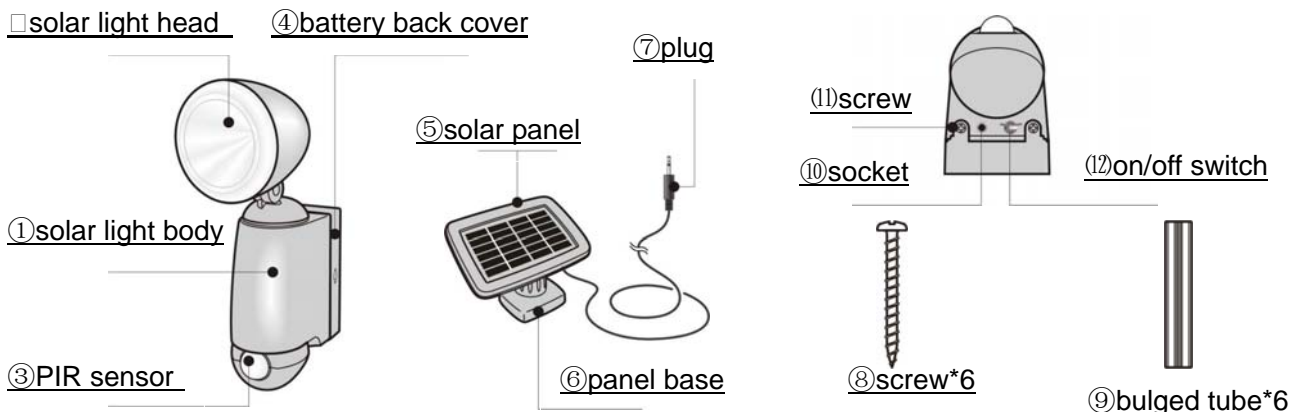
PIR Solar Spotlight/PIR Solaire Lumière

RSL-112

User Manual



1-Solar light parts

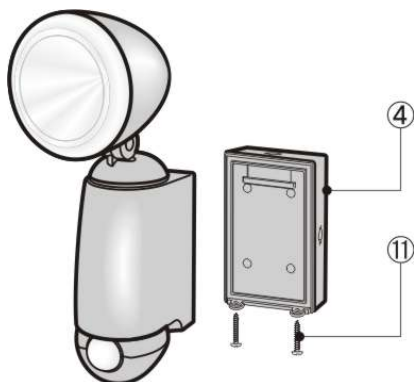


2-Battery Charge

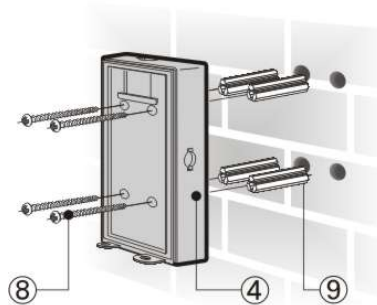
In normal condition, the batteries inside the solar light are fully charged. You can use the light directly. If not, please fully charge the batteries before using: turn the switch “on” for sunny daytime and turn it “off” when darkness comes. Repeating for 2 days (about 16 hours), the batteries would be fully charged.

3-Solar Light Body Installation

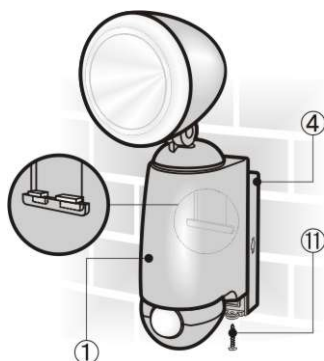
1/ loose the screws and remove the battery back cover from the light



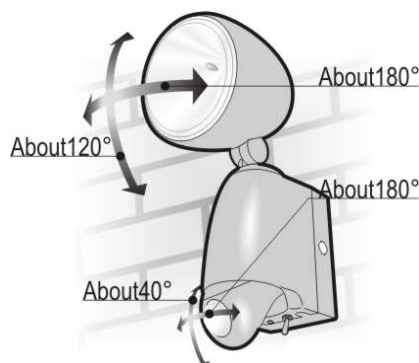
2/ drill 4 holes on the wall based on the four tubes in the battery back cover, insert the bulged tubes (9) in the holes, and fix the battery back cover with screws (8).



3/ slip the solar light body up to down until the hasp inside is connected, fix the body with screws.



4/ adjust the angle of light head & PIR sensor



Remarks For Installation

- * Do not install the light where people can be easily to be hurt in case of drop.
- * Install the light in horizontal level.
- * Please do not install the light in following places.



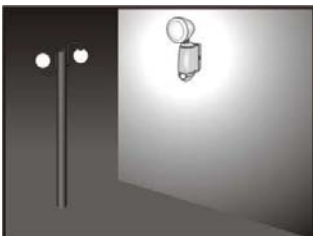
*Avoid installation near places where there would be waving objects.



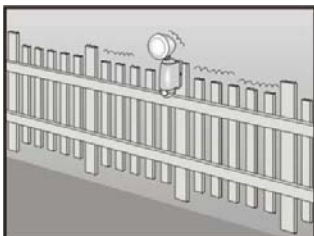
*Avoid installation near objects that would release hot air.



*Avoid installation near places with strong reflection.



*Avoid installation near places already has strong night light.



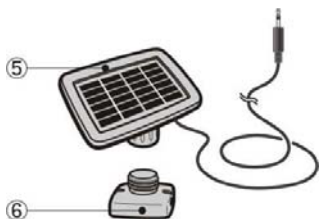
*Avoid installation in places that easily waves.



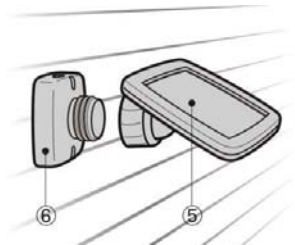
*Avoid installation in places where there would be eternal movement with animals.

4-Solar Panel Installation

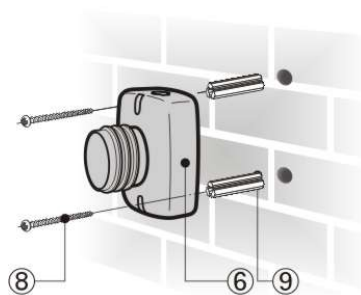
1/ Take the solar panel and panel base.



3/ Twist the solar panel on the panel base.






2/ Drill two holes on the wall based in the holes in the panel base, then insert in the panel base, then insert the bulged tubes into the holes. Finally fix the panel base on the wall by screws.



Remarks For Installation

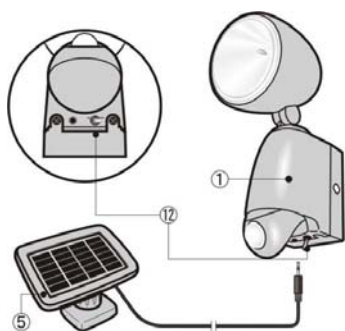
*Make sure the solar panel is installed where direct sunlight is sufficient.

		
<p>Make sure the panel is 45° from the horizontal level. This angle can be adjusted.</p>	<p>Be away from shadow of trees or buildings.</p>	<p>Be away from place where other night lights existing.</p>

WARNING: please regularly check the panel and light after installation, to avoid any unpredictable fire or electronic shock!

5-Complete The Installation

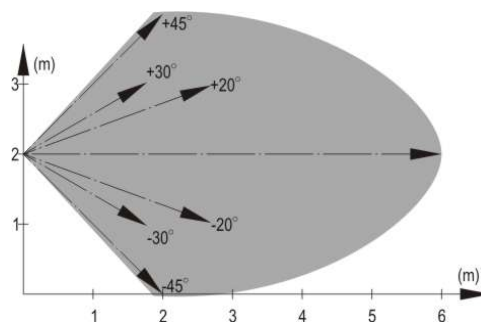
- 1/ insert the wire plug into the socket on the bottom of the solar light body.
- 2/ turn the switch “on” after completing installation.



6-PIR Sensor Sense Range

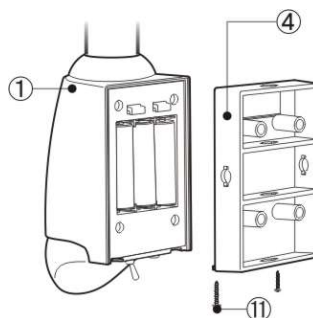
Please check the following data for the sense range.

Remarks: This sense range will verify with different environment, like temperature, place, climate etc.



7-Replace the parts

- 1/ LED can't be replaced
- 2/ Battery replacement
 - * Turn the switch “off”
 - * See 3. Solar light body installation
 - * Replace the batteries with 3pcs 1.2V AA 900mAh Ni-MH rechargeable batteries



8-Problem Solving

- *Make sure the switch is “on”.
- *Make sure the panel is not broken.
- *Make sure the panel is installed in places free from shadow
- *Make sure the panel is not polluted by dirt. If have, please clean it with water by soft cloth. Do not use solvents. Take extreme care not to scratch the clear cover.

9-Safety Guide

- *The solar light is waterproof on normal conditions, but please make sure it is not always exposed to a lot of water, or installed in some moist places, like bathroom.
- *Make sure hands are not wet when replacing the batteries.
- *Make sure not to reconstruct the solar light by yourself, to avoid any possible malfunction, fire or electronic shock.
- *Make sure the solar light is not installed where the temperature is too high.
- *Please notice that the Ni-MH batteries recharging capacity might decline under extreme low temperature.
- *The LED inside can not be replaced.

10-Technical Data

LED : Nichia 1pc 1watt power LED
Battery : 3pcs 900mAh Ni-MH batteries
Sensor : PIR sensor
Sense Range : about 6m*90°
Light duration per sense : 30~40 seconds
Material : plastic
Wire length : about 5m

Thank you for purchasing a quality Rosewill Product.

Please register your product at : www.rosewill.com for complete warranty information and future support for your product.