

Rosewill[®]

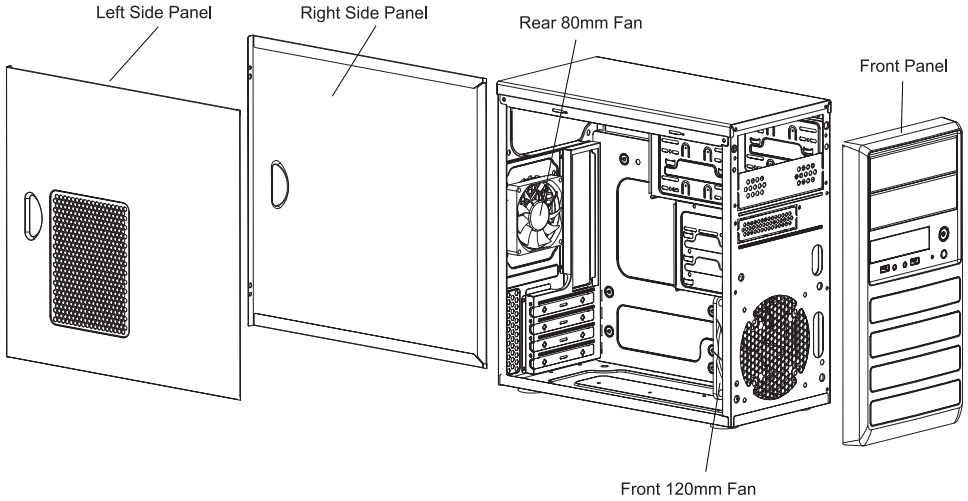
RANGER - M

User's Manual

Contents

- **Product Overview** P.2
 - Disassemble Chart P.2
 - Accessory Box P.3
- **Installation Guide**
 - Opening Chassis P.4
 - Installing Power Supply P.4
 - Installing Motherboard P.5
 - Installing Add On Card P.6
 - Installing External 5.25" Device P.7
 - Installing External 3.5" Device P.8
 - Installing 3.5" HDD P.8
- **Information** P.9

Disassemble Chart



Front I/O Pin Define

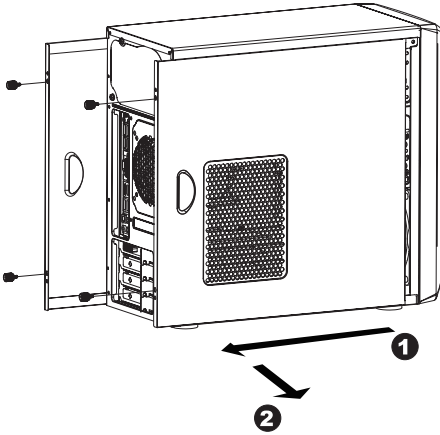
USB 2.0 CONNECTOR	AC97 CONNECTOR	HD CONNECTOR
<p>Pin</p>	<p>Pin</p>	<p>Pin</p>

Accessory Box

	6 x M/B standoff	Motherboard
	8 x Screw A	Power Supply Add-on Card
	8 x Screw B	3.5" HDD
	18 x Screw C	Motherboard 5.25" Device Floppy
	1 x PC SPEAKER	Motherboard

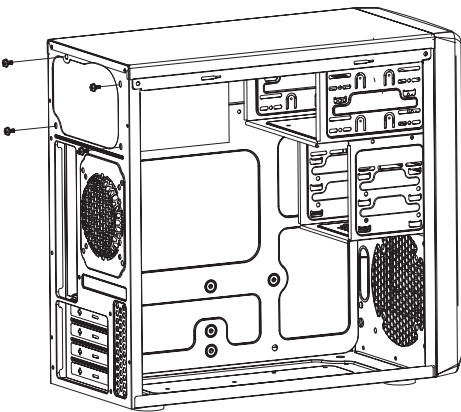
Installation Guide

1.



Unscrew to remove left and right panel.

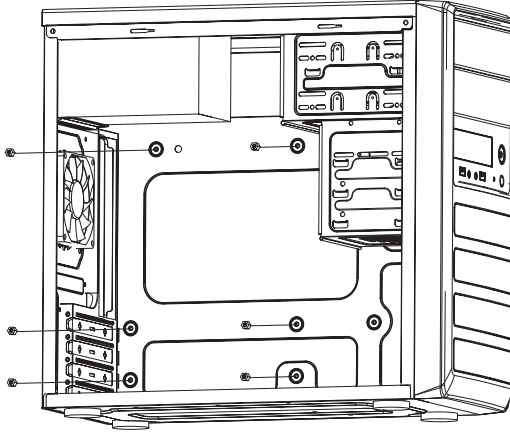
2.



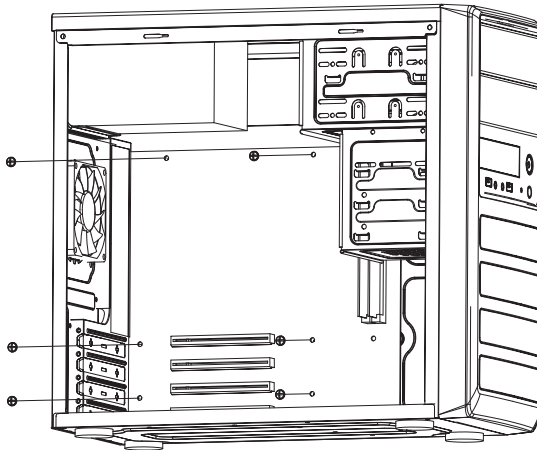
Place the power supply from the left side into the chassis and secure with screws.

Installation Guide

3.



-Install motherboard stand-offs according to your motherboard's screw holes.

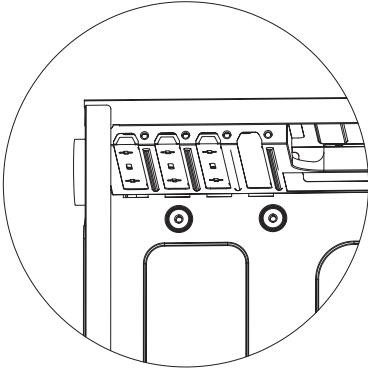


-Place the motherboard onto stand-offs and secure with screws.

Installation Guide

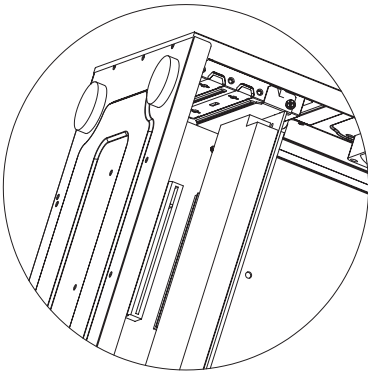
4.

1



-Confirm which slot you want to install an add-on card then fracture the slot cover with your screwdriver.

2

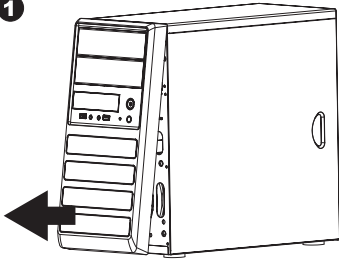


-Install the add-on card and secure with screws.

Installation Guide

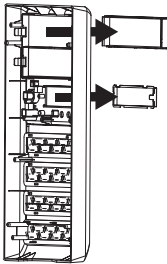
5.

①

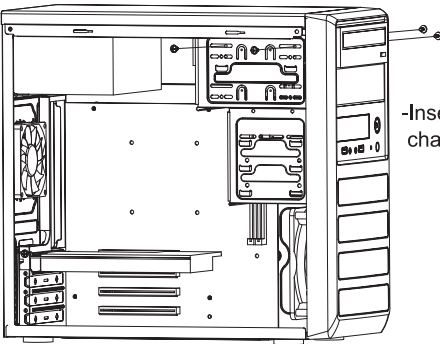


- Pull to remove the front panel.
- Confirm which bay you want to install device(S) then remove the bay cover.
- Reinstall the front panel.

②



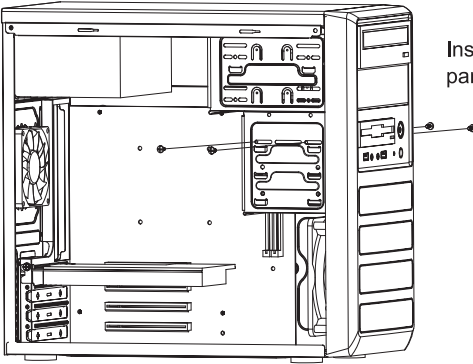
6.



- Insert the 5.25" device from the front panel into the chassis then secure with screws.

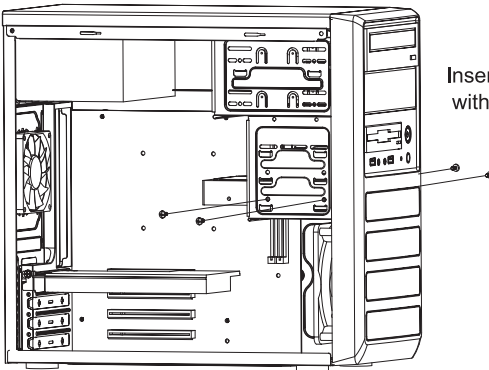
Installation Guide

7.



Insert the external 3.5" device into its position from front panel and secure with screws.

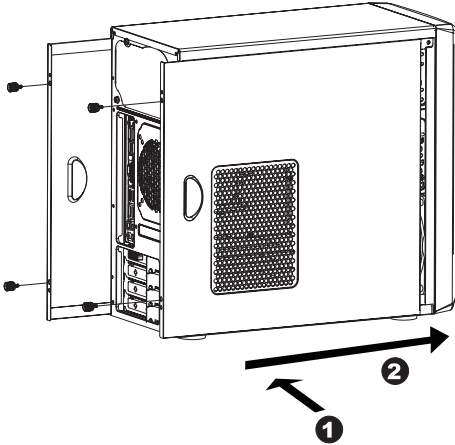
8.



Insert the 3.5" HDD into its position from inside and secure with screws.

Installation Guide

9.



Make sure all necessary cables and wires are connected, then reinstall side panels and secure with screws.

Thank you for purchasing a High-Quality Rosewill Product.

Please register your product at : <http://www.rosewill.com>
for complete warranty information and future support for your product.

If you have any question while using our products, please visit our website : www.rosewill.com
for latest driver & user manual or feel free to contact us.

Support Phone Number: 800-575-9885

Support Email: techsupport@rosewill.com

Rosewill®

www.rosewill.com