



Dear customer,

Congratulations on choosing the Noctua NH-U14S.

The NH-U14S is the first 140mm model in Noctua's award-winning NH-U series. First introduced in 2005, the NH-U series has become a standard choice for premium quality quiet CPU coolers and won more than 400 awards and recommendations from leading international hardware websites and magazines.

Enjoy your NH-U14S!

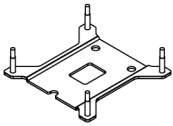
Yours sincerely,

*R. Müssig*  
Roland Müssig, Noctua CEO

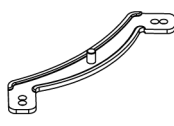
This manual will guide you through the installation process of the SecuFirm2™ mounting system step by step. Prior to installing the cooler, please consult the compatibility list on our website ([www.noctua.at/compatibility](http://www.noctua.at/compatibility)) and verify that the cooler is fully compatible with your motherboard. Should you encounter any difficulties, please check the FAQs on our website ([www.noctua.at/faqs](http://www.noctua.at/faqs)) and don't hesitate to contact our support team at [support@noctua.at](mailto:support@noctua.at). Noctua cannot be held responsible for any damage or losses caused by compatibility issues.

Multilingual versions of this manual are available on our website: [www.noctua.at/manuals](http://www.noctua.at/manuals)

**Required mounting parts:**



1x NM-IBP2 Backplate



2x NM-IMB3 Mounting Bars



4x NM-IPS1 Spacers



4x NM-ITS1 Thumbscrews

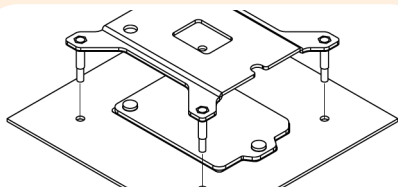
**Step 1**

**Removing the mainboard**

In case you want to use the cooler on an assembled system and your case doesn't have a cut-out at the rear side of the mainboard tray, you first have to remove the mainboard from the case in order to be able to install the supplied backplate.

**Step 2**

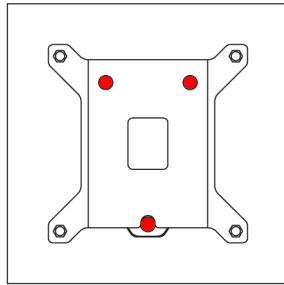
**Attaching the backplate**



**Caution:** The supplied backplate will install over the mainboard's stock backplate, so the mainboard's stock backplate must not be taken off.

Place the backplate on the rear side of the mainboard so that the bolts stick through the mounting holes.

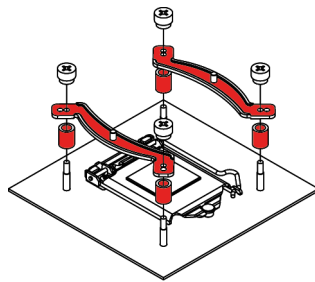
**Caution:** Please make sure that the three cut-outs in the supplied backplate align with the screws of the mainboard's stock backplate.



**Step 3**

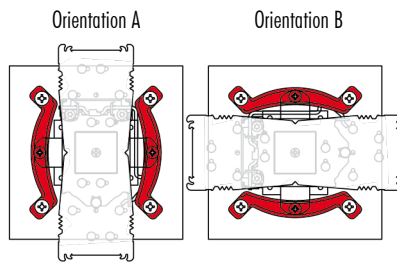
**Installing the mounting bars**

First put the plastic spacers onto the bolts of the backplate, then add the mounting bars.

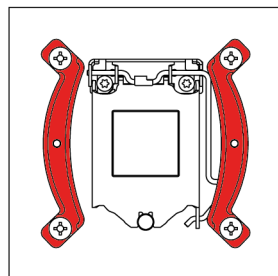


**Caution:**

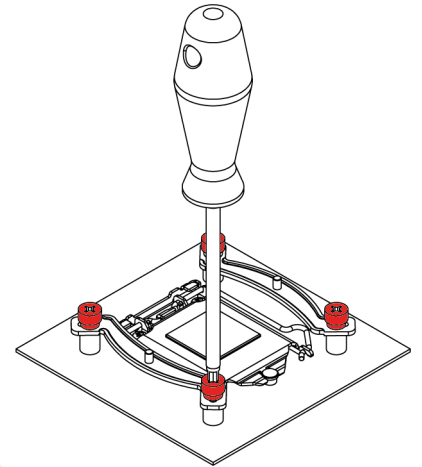
Choose the alignment of the mounting bars according to the desired final orientation of the cooler:



**Caution:** Make sure that the curved sides of the mounting bars are pointing outwards.



Fix the mounting bars using the 4 thumb screws.

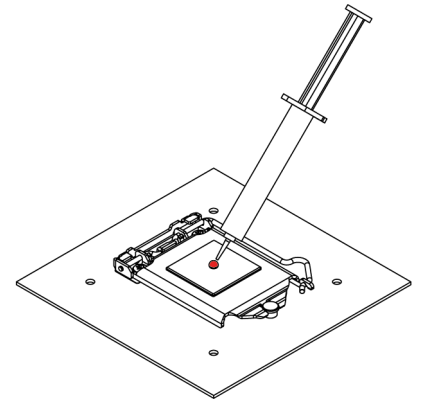


**Caution:** Gently tighten the screws until they stop, but don't use excessive force.

**Step 4**

**Applying thermal paste**

If there are residual traces of thermal paste or thermal pads on your CPU, please clean them off first. Then press a small drop (4-5mm diameter) of NT-H1 onto the centre of the heatspreader.

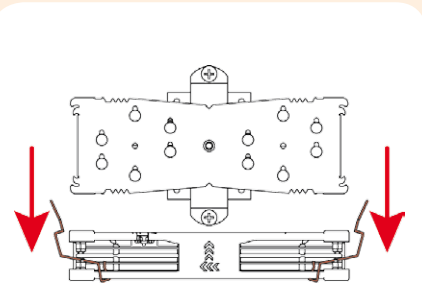


**Caution:** Applying too much thermal paste will lower heat conductivity and cooling performance!

**Step 5**

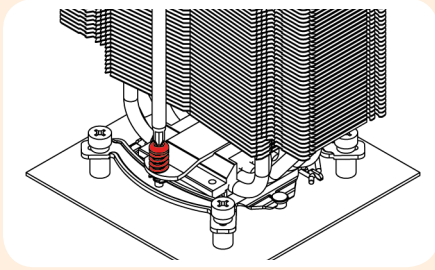
**Fastening the heatsink to the CPU**

**Caution:** Please first take off the fan as well as the protection cover at the bottom side of the heatsink.





Then put the heatsink onto the CPU and screw it to the screw threads of the mounting bars.

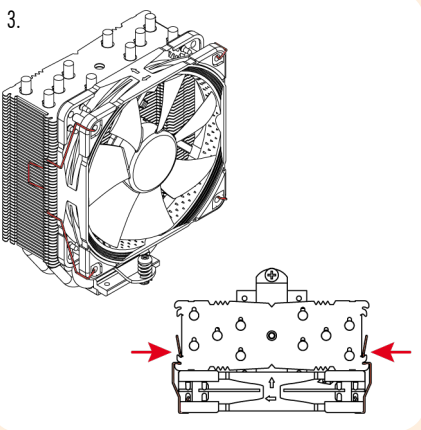
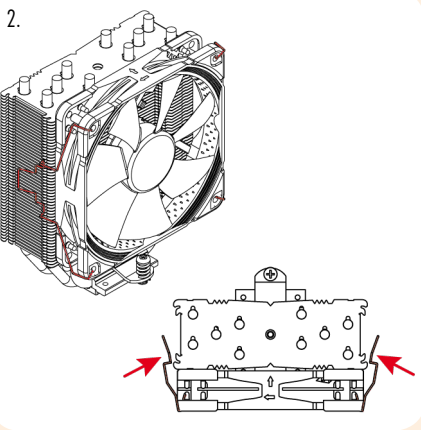
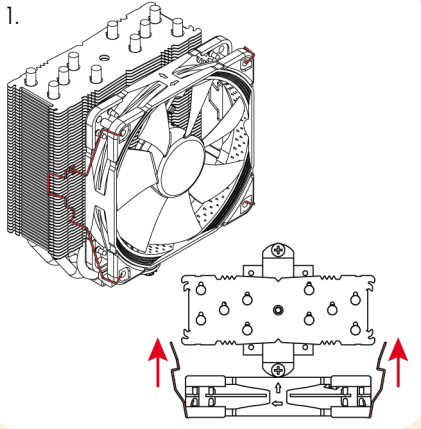


**Caution:** Tighten the screws until they stop.

Step 6

**Fan Setup**

Reattach the fan to the heatsink using the supplied steel clips:



Connect the fan to the mainboard's CPU fan header.

Depending on your CPU and the temperature inside the case, you may interconnect the supplied NA-RC7 Low-Noise Adapter (L.N.A.) in order to further reduce the fan's operating noise.

**Caution:** When using the L.N.A., check the temperature of your CPU using appropriate software (e.g. the respective applications of your mainboard manufacturer), in order to evade automatic throttling of the CPU due to the increased temperature. If the cooling performance is insufficient, please increase case ventilation or remove the L.N.A.

Adding a second fan

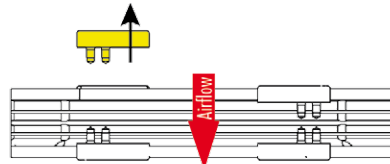
The NH-U14S includes an extra set of fan clips and an extra set of thicker anti-vibration pads for installing a second NF-A15 fan in push/pull mode in order to further improve cooling performance.

Please use the thicker anti-vibration pads on the rear NF-A15 fan for improved acoustics if space allows. The y-cable supplied with the retail NF-A15 fan can be used to control the speed of both fans via the same mainboard fan header.

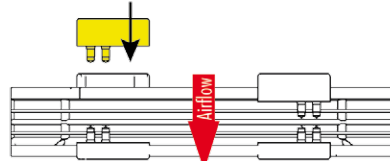
Please note that while the NF-A15 fan included with the NH-U14S runs at 1500rpm, Noctua recommends using the standard 1200rpm retail version as a rear fan in push/pull mode as the combination of 1500rpm at the front and 1200rpm at the rear will provide the best balance of performance and acoustics.

If you would like to run both fans at the same speed, please use the supplied Low-Noise Adaptor on the front fan to reduce the speed to 1200rpm.

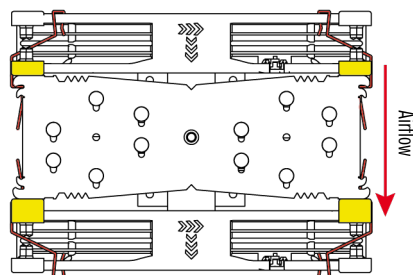
1. Remove standard spacers on rear fan



2. Install thick spacers on rear fan

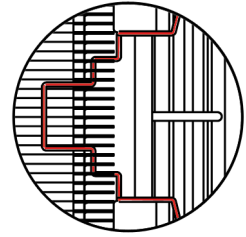


front fan (standard spacers)

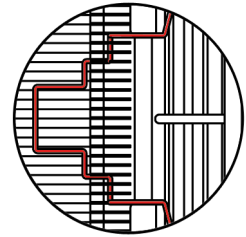


rear fan (thick spacers)

Clip position for thick spacers:



Clip position for standard spacers:



While Noctua recommends using an NF-A15 fan for best results in dual fan mode, the extra set of fan clips can also be used to install most other fans. In this case, please put the supplied self-adhesive anti-vibration strips onto the heatsink to avoid vibrations being transmitted to the cooler.

**Warranty, Support and FAQs**

Even with high-grade products and strict quality control, the possibility of defects cannot be eliminated entirely. Therefore, we aim at providing the highest possible level of reliability and convenience by offering a warranty period of 6 years and direct, fast and straightforward RMA service.

Should you encounter any problems with your NH-U14S, please don't hesitate to contact our support team ([support@noctua.at](mailto:support@noctua.at)).

Please also consult the FAQ section on our website: [www.noctua.at/faqs](http://www.noctua.at/faqs).



Dear customer,

Congratulations on choosing the Noctua NH-U14S.

The NH-U14S is the first 140mm model in Noctua's award-winning NH-U series. First introduced in 2005, the NH-U series has become a standard choice for premium quality quiet CPU coolers and won more than 400 awards and recommendations from leading international hardware websites and magazines.

Enjoy your NH-U14S!

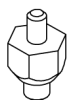
Yours sincerely,

*R. Müssig*  
Roland Müssig, Noctua CEO

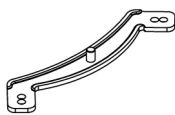
This manual will guide you through the installation process of the SecuFirm2™ mounting system step by step. Prior to installing the cooler, please consult the compatibility list on our website ([www.noctua.at/compatibility](http://www.noctua.at/compatibility)) and verify that the cooler is fully compatible with your motherboard. Should you encounter any difficulties, please check the FAQs on our website ([www.noctua.at/faqs](http://www.noctua.at/faqs)) and don't hesitate to contact our support team at [support@noctua.at](mailto:support@noctua.at). Noctua cannot be held responsible for any damage or losses caused by compatibility issues.

Multilingual versions of this manual are available on our website: [www.noctua.at/manuals](http://www.noctua.at/manuals)

**Required mounting parts:**



NM-IBT2 Bolts



NM-IMB3 Mounting Bars

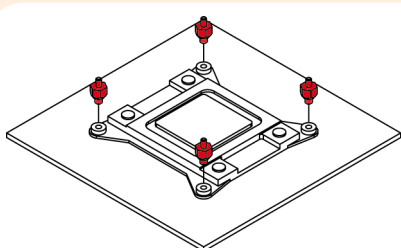


4x NM-ITS1 Thumbscrews

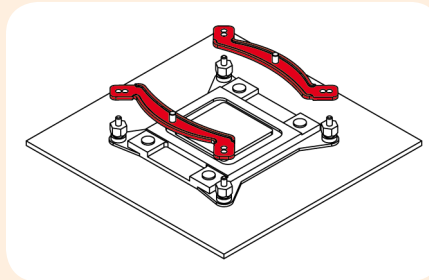
**Step 1**

**Installing the mounting bars**

First screw the NM-IBT2 bolts into the screw threads of the LGA2011 socket frame.



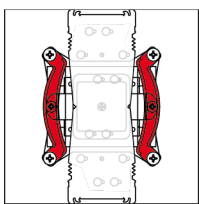
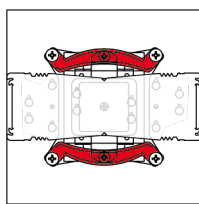
Then put the NM-IMB2 mounting-bars onto the bolts.



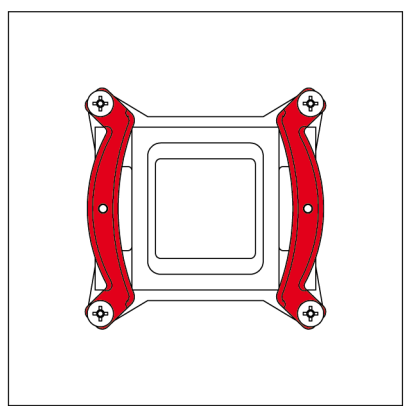
**Caution:** Choose the alignment of the mounting bars according to the desired final orientation of the cooler:

Orientation A

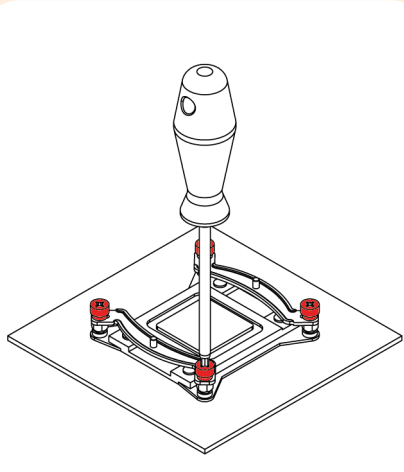
Orientation B



**Caution:** Make sure that the curved sides of the mounting bars are pointing outwards.



Fix the mounting bars using the 4 thumb screws.

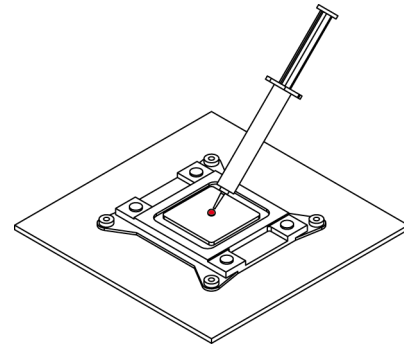


**Caution:** Gently tighten the screws until they stop, but don't use excessive force.

**Step 2**

**Applying thermal paste**

If there are residual traces of thermal paste or thermal pads on your CPU, please clean them off first. Then press a small drop (4-5mm diameter) of NT-H1 onto the centre of the heatspreader.

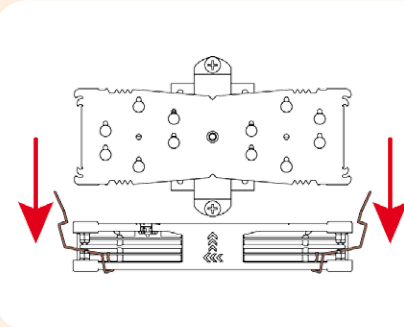


**Caution:** Applying too much thermal paste will lower the heat conductivity and cooling performance!

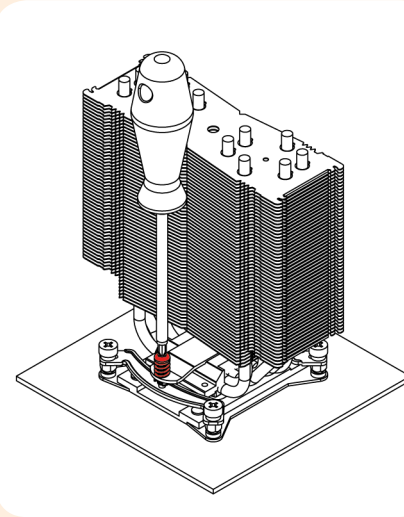
**Step 3**

**Fastening the heatsink to the CPU**

**Caution:** Please first take off the fan as well as the protection cover at the bottom side of the heatsink.



Then put the heatsink onto the CPU and screw it to the screw threads of the mounting bars.



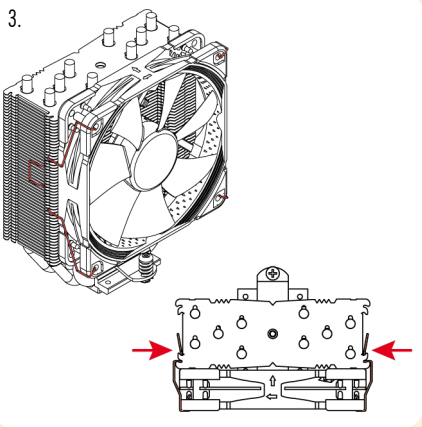
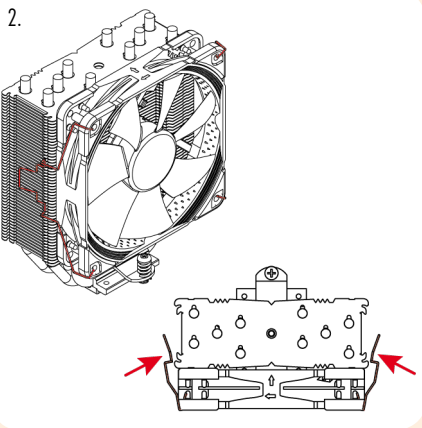
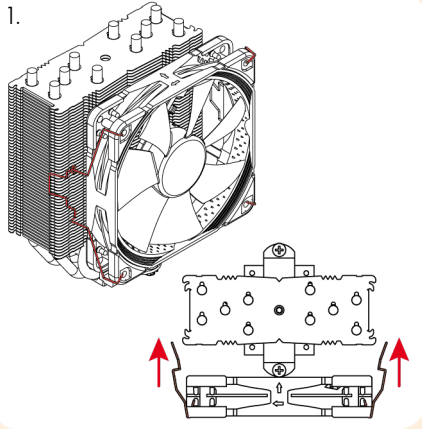
**Caution:** Tighten the screws until they stop.



Step 4

Fan Setup

Reattach the fan to the heatsink using the supplied steel clips:



Connect the fan to the mainboard's CPU fan header.

Depending on your CPU and the temperature inside the case, you may interconnect the supplied NA-RC7 Low-Noise Adapter (L.N.A.) in order to further reduce the fan's operating noise.

**Caution:** When using the L.N.A., check the temperature of your CPU using appropriate software (e.g. the respective applications of your mainboard manufacturer), in order to evade automatic throttling of the CPU due to the increased temperature. If the cooling performance is insufficient, please increase case ventilation or remove the L.N.A.

Adding a second fan

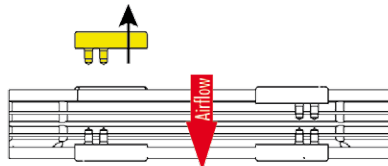
The NH-U14S includes an extra set of fan clips and an extra set of thicker anti-vibration pads for installing a second NF-A15 fan in push/pull mode in order to further improve cooling performance.

Please use the thicker anti-vibration pads on the rear NF-A15 fan for improved acoustics if space allows. The y-cable supplied with the retail NF-A15 fan can be used to control the speed of both fans via the same mainboard fan header.

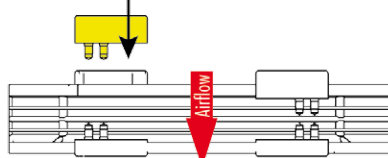
Please note that while the NF-A15 fan included with the NH-U14S runs at 1500rpm, Noctua recommends using the standard 1200rpm retail version as a rear fan in push/pull mode as the combination of 1500rpm at the front and 1200rpm at the rear will provide the best balance of performance and acoustics.

If you would like to run both fans at the same speed, please use the supplied Low-Noise Adaptor on the front fan to reduce the speed to 1200rpm.

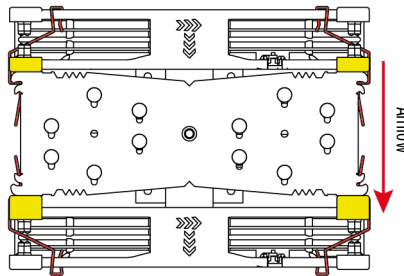
1. Remove standard spacers on rear fan



2. Install thick spacers on rear fan

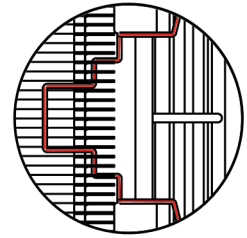


front fan (standard spacers)

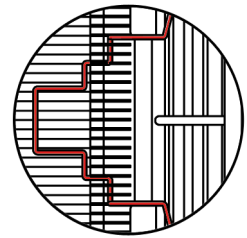


rear fan (thick spacers)

Clip position for thick spacers:



Clip position for standard spacers:



While Noctua recommends using an NF-A15 fan for best results in dual fan mode, the extra set of fan clips can also be used to install most other fans. In this case, please put the supplied self-adhesive anti-vibration strips onto the heatsink to avoid vibrations being transmitted to the cooler.

Warranty, Support and FAQs

Even with high-grade products and strict quality control, the possibility of defects cannot be eliminated entirely. Therefore, we aim at providing the highest possible level of reliability and convenience by offering a warranty period of 6 years and direct, fast and straightforward RMA service.

Should you encounter any problems with your NH-U14S, please don't hesitate to contact our support team ([support@noctua.at](mailto:support@noctua.at)).

Please also consult the FAQ section on our website: [www.noctua.at/faqs](http://www.noctua.at/faqs).





Dear customer,

Congratulations on choosing the Noctua NH-U14S.

The NH-U14S is the first 140mm model in Noctua's award-winning NH-U series. First introduced in 2005, the NH-U series has become a standard choice for premium quality quiet CPU coolers and won more than 400 awards and recommendations from leading international hardware websites and magazines.

Enjoy your NH-U14S!

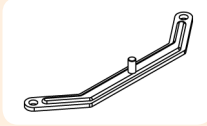
Yours sincerely,

*R. Müssig*  
Roland Müssig, Noctua CEO

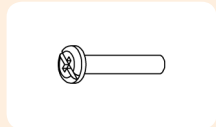
This manual will guide you through the installation process of the SecuFirm2™ mounting system step by step. Prior to installing the cooler, please consult the compatibility list on our website ([www.noctua.at/compatibility](http://www.noctua.at/compatibility)) and verify that the cooler is fully compatible with your motherboard. Should you encounter any difficulties, please check the FAQs on our website ([www.noctua.at/faqs](http://www.noctua.at/faqs)) and don't hesitate to contact our support team at [support@noctua.at](mailto:support@noctua.at). Noctua cannot be held responsible for any damage or losses caused by compatibility issues.

Multilingual versions of this manual are available on our website: [www.noctua.at/manuals](http://www.noctua.at/manuals)

**Required mounting parts:**



2x NM-AMB3 Mounting Bars

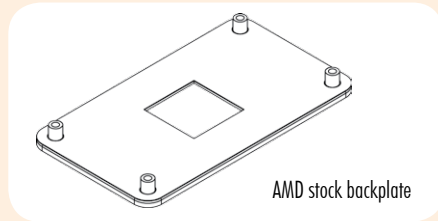


4x NM-ALS1 Screws



4x NM-APST1 Plastic Spacers

**Caution:** The SecuFirm2™ mounting system requires a backplate, which is preinstalled on most AMD mainboards. If your mainboard doesn't have a backplate, please contact our support team at [support@noctua.at](mailto:support@noctua.at).



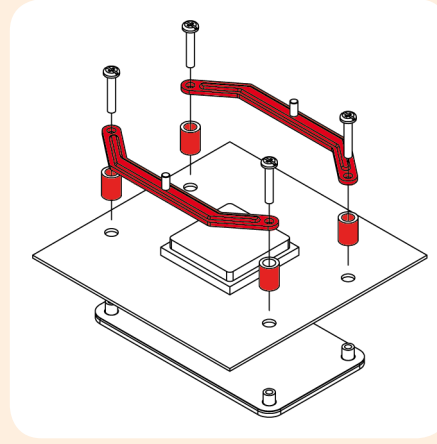
AMD stock backplate

**Step 1**  
**Removing the retention module**

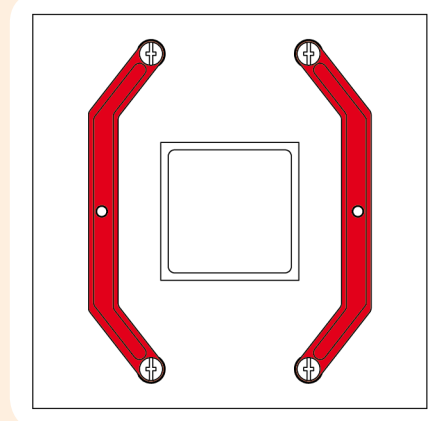
If your mainboard uses a retention module for CPU cooler installation, please remove it first. The SecuFirm2™ mounting system will install directly to your mainboard's stock backplate on the rear side of the socket.

**Step 2**  
**Attaching the mounting bars**

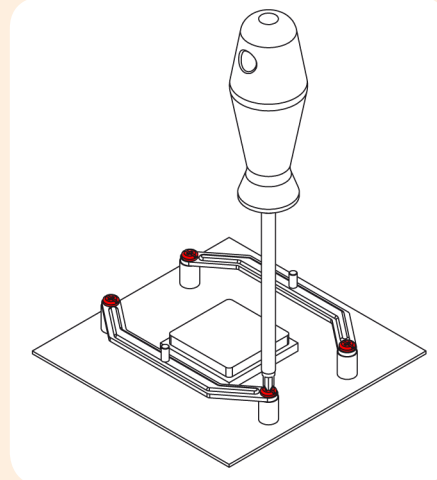
First put the plastic spacers onto the screw threads, then fix the mounting bars using the 4 long screws.



**Caution:** Make sure that the curved sides of the mounting bars are pointing outwards.

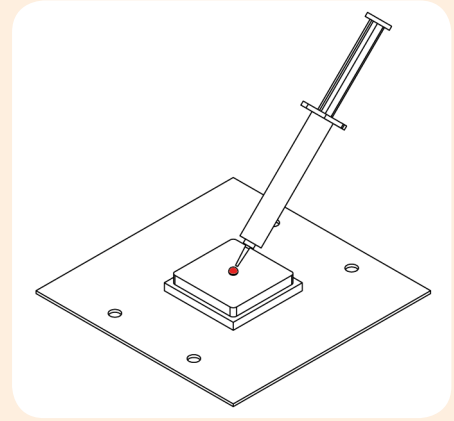


**Caution:** Tighten the screws until they stop.



**Step 3**  
**Applying thermal paste**

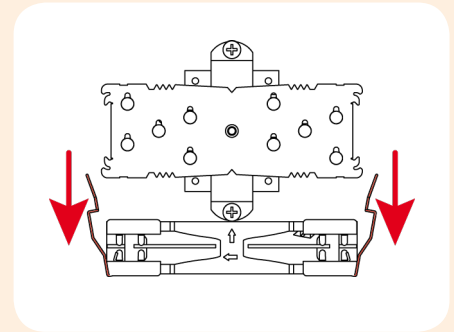
If there are residual traces of thermal paste or thermal pads on your CPU, please clean them off first. Then press a small drop (4-5mm diameter) of NT-H1 onto the centre of the heatspreader.



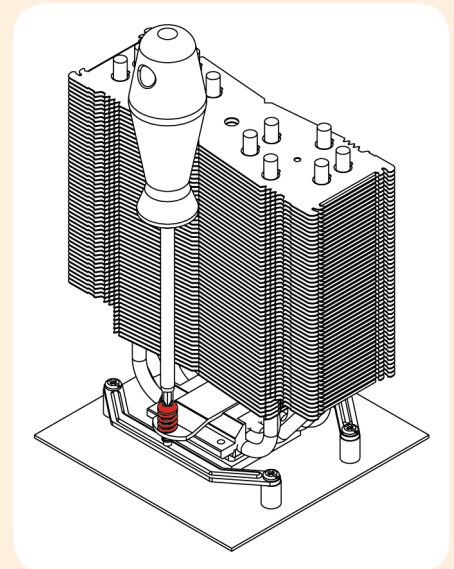
**Caution:** Applying too much thermal paste will lower heat conductivity and cooling performance!

**Step 4**  
**Fastening the heatsink to the CPU**

**Caution:** Please first take off the fan as well as the protection cover at the bottom side of the heatsink.



Then put the heatsink onto the CPU and screw it to the screw threads of the mounting bars.



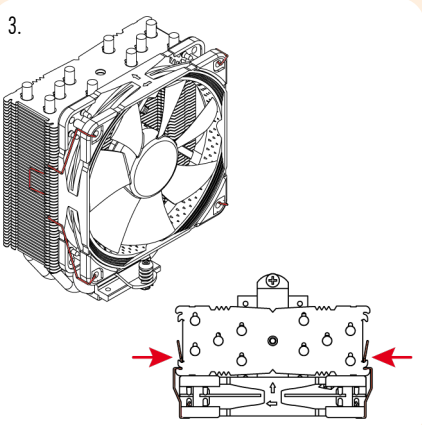
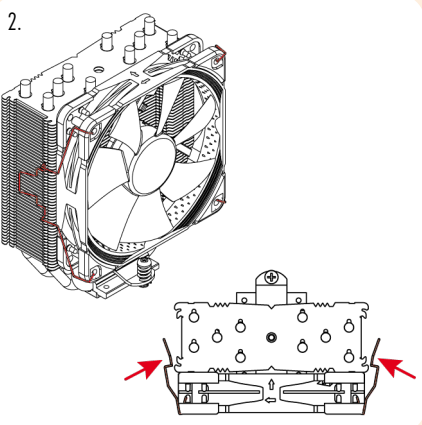
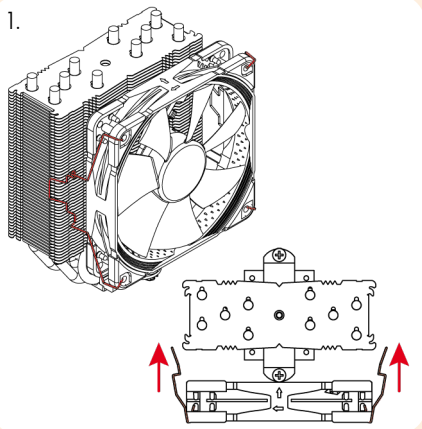
**Caution:** Tighten the screws until they stop.



Step 5

Fan Setup

Reattach the fan to the heatsink using the supplied steel clips:



Connect the fan to the mainboard's CPU fan header.

Depending on your CPU and the temperature inside the case, you may interconnect the supplied NA-RC7 Low-Noise Adapter (L.N.A.) in order to further reduce the fan's operating noise.

**Caution:** When using the L.N.A., check the temperature of your CPU using appropriate software (e.g. the respective applications of your mainboard manufacturer), in order to evade automatic throttling of the CPU due to the increased temperature. If the cooling performance is insufficient, please increase case ventilation or remove the L.N.A.

Adding a second fan

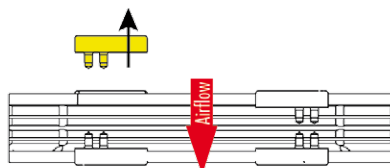
The NH-U14S includes an extra set of fan clips and an extra set of thicker anti-vibration pads for installing a second NF-A15 fan in push/pull mode in order to further improve cooling performance.

Please use the thicker anti-vibration pads on the rear NF-A15 fan for improved acoustics if space allows. The y-cable supplied with the retail NF-A15 fan can be used to control the speed of both fans via the same mainboard fan header.

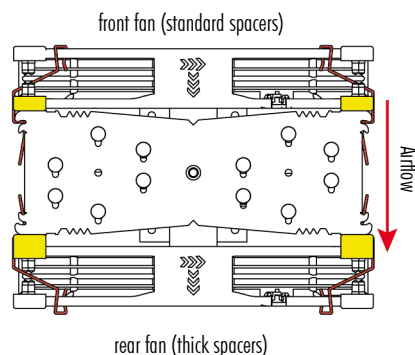
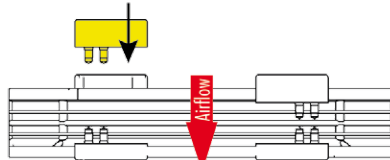
Please note that while the NF-A15 fan included with the NH-U14S runs at 1500rpm, Noctua recommends using the standard 1200rpm retail version as a rear fan in push/pull mode as the combination of 1500rpm at the front and 1200rpm at the rear will provide the best balance of performance and acoustics.

If you would like to run both fans at the same speed, please use the supplied Low-Noise Adaptor on the front fan to reduce the speed to 1200rpm.

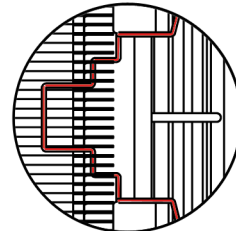
1. Remove standard spacers on rear fan



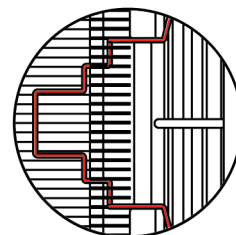
2. Install thick spacers on rear fan



Clip position for thick spacers:



Clip position for standard spacers:



While Noctua recommends using an NF-A15 fan for best results in dual fan mode, the extra set of fan clips can also be used to install most other fans. In this case, please put the supplied self-adhesive anti-vibration strips onto the heatsink to avoid vibrations being transmitted to the cooler.

Warranty, Support and FAQs

Even with high-grade products and strict quality control, the possibility of defects cannot be eliminated entirely. Therefore, we aim at providing the highest possible level of reliability and convenience by offering a warranty period of 6 years and direct, fast and straightforward RMA service.

Should you encounter any problems with your NH-U14S, please don't hesitate to contact our support team ([support@noctua.at](mailto:support@noctua.at)).

Please also consult the FAQ section on our website: [www.noctua.at/faqs](http://www.noctua.at/faqs).