

Solar-powered FLAG LIGHT

The Perfect Solar Light for Flags or Signs



ASSEMBLY AND OPERATING INSTRUCTIONS

Model #: 40334

IMPORTANT: Read all instructions carefully before use.

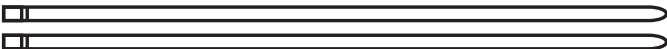
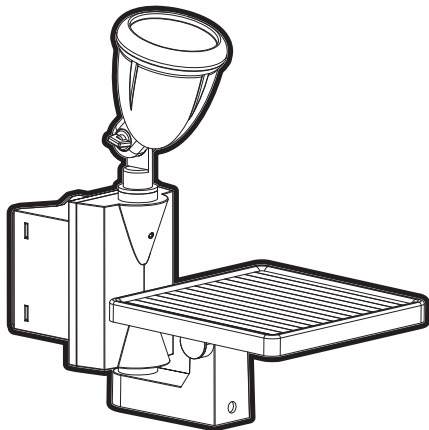
ABOUT YOUR SOLAR FLAG LIGHT

Your MAXSA Solar Flag Light converts sunlight into electricity during the day, enabling the Super bright LED light to turn on automatically at night to light up your flag.

Your Solar Flag Light can light for up to 5 hours at full power and 10 hours at half power / brightness when the battery is fully charged. The 3 sealed rechargeable AA size Ni-MH 1200 mAh batteries included with this product should last for many years before they need to be replaced.

INCLUDED PARTS

Carefully remove and identify all the parts from their protective packaging and lay them out in front of you.



CHOOSING A LOCATION

Position the solar panel so that it faces the southern sky. Placing the panel in a shaded location will not allow the batteries to charge fully, reducing the number of hours the light will operate per evening.

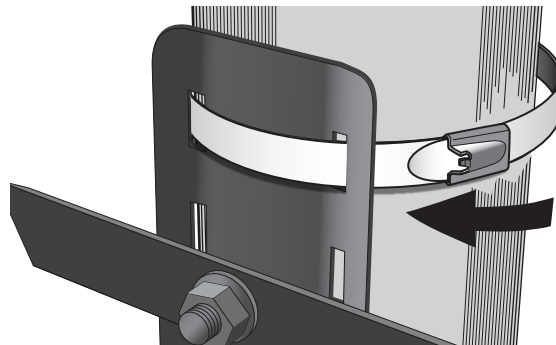
The Solar Powered Flag Light is equipped with a light-sensitive trigger to automatically turn the light on at dusk. For best performance, ensure that the Flood Light is not placed near nighttime light sources such as porch lighting and street lighting.

HOW TO INSTALL YOUR SOLAR FLAG LIGHT

MOUNTING TO A FLAGPOLE

To mount on a flagpole, position the flagpole mounting bracket supplied against the flagpole and run the two supplied metal bands through the bracket as shown.

Put the bracket up to the pole and close the metal bands around the pole, making sure the bands are pulled tight so the light is firmly secured.



CAUTION: Do not tighten the metal bands until your Solar Flag Light is placed where you want it. The bands cannot be reopened.*

OPERATING YOUR SOLAR FLAG LIGHT

BEFORE USING YOUR SOLAR FLAG LIGHT

If you are able to: Charge the batteries without activating the unit by keeping the power switch turned off on the main body for one day while your solar panel is in direct sunlight. This will ensure that the batteries in your Solar Flag Light have a full charge prior to normal operation.

After the initial 1 day charge of your Solar Flag Light, press the switch on the main body to the ON position to make the light turn on automatically after sundown. Set the switch to the OFF position to turn on the light manually. Your Solar Flag Light is now ready for use.

Depending on how long you prefer the light to last, you can double the light duration and reduce the brightness by pushing the brightness control switch so that you get 5-6 hours of light at full brightness or 10-12 hours at 1/2 brightness so you can light up your flag all night.

OPERATING YOUR SOLAR FLAG LIGHT

STORAGE

If you wish to store the light indoors for more than two or three days, press the power button to the OFF position to prevent damaging the batteries.

MAINTENANCE

The LED lights in your Solar Flag Light will last up to 30,000 hours and should never need replacement.

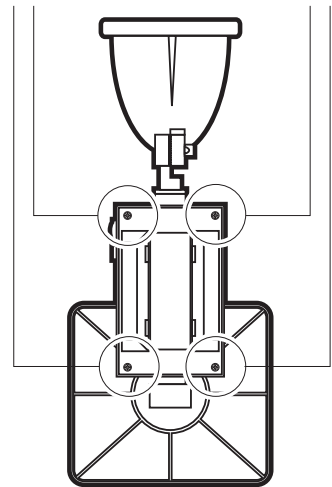
To keep your Solar Flag Light looking new, keep the lens free of dust and deposits by wiping occasionally with a dry cloth or with warm soapy water if necessary. A dirty solar panel will not allow the batteries to fully charge and this will shorten the life of the batteries and may cause the light to malfunction.

CHANGING THE BATTERIES

The included rechargeable batteries will last approximately 3 years. The battery can be accessed by removing the rear panel. Remove the 4 corner screws to reveal the battery compartment.

The batteries we use are 3 pieces AA size 1200 mAh .1.2V Ni-MH rechargeable batteries.

Remove the 4 corner screws to access the battery compartment



TROUBLESHOOTING

PROBLEM	SOLUTION
Light will not switch on.	<p>Ensure that the power button on the main body has been turned to the ON position.</p> <p>Ensure that the batteries have been fully charged in direct sunlight for 1 sunny day—refer to the “Before First Use of Your Solar Security Light”. Artificial light will not charge the battery. It must charge in sunlight.</p> <p>Check to see that the solar panel is facing South and that it receives 6-8 hours of sunlight per day, enabling the batteries to fully charge.</p> <p>* Check to see that the flood light is not near nighttime light sources such as street lights</p>
Light quickly flashes on and off.	<p>Battery charge may be low. Turn the power switch to the OFF position and charge the batteries for one (1) sunny day, ensuring the solar panels have been placed in direct sunlight.</p>
Light is not as bright as normal	<p>Battery charge may be low. Turn the power button to the OFF position and charge the batteries for one (1) sunny day, ensuring the solar panel has been placed in direct sunlight.</p> <p>The brightness control switch might be set to HALF mode, which is designed to use less power, but keep the light illuminated for a longer time period.</p> <p>Check to make sure solar panel is facing South, and that it receives 6-8 hours of sunlight per day.</p>

90 DAY LIMITED WARRANTY

This product is warranted against faulty material and /or workmanship for a period of 90 days from date of original purchase. The obligation of the manufacturer, under this warranty, is limited to servicing and replacing defective parts when the unit is returned to MAXSA Innovations, freight pre-paid during the warranty period. To obtain warranty repair, the purchase receipt should be returned with the product.

This warranty becomes void on any unit which has been tampered with, damaged by accident, or damaged otherwise by improper operation. This guarantee is in addition to any guarantees implied by State or Federal Legislation.

Please save these instructions for future reference.



MAXSA Innovations
 8412 Cathedral Forest Drive
 Fairfax Station, VA 22039
 Tel: 703-495-0661
www.maxsainnovations.com
info@maxsainnovations.com

MADE IN CHINA

v2