



## INSTALLATION INSTRUCTIONS FOR PART 99-7418

### APPLICATIONS

## NISSAN ALTIMA 2002-2004

# 99-7418

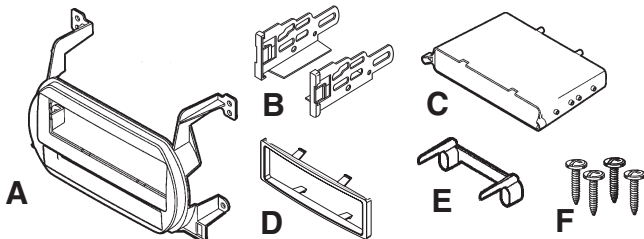
### KIT FEATURES

- DIN Mount Radio Provision with Pocket
- ISO Mount Radio Provision with Pocket



### KIT COMPONENTS

- A) Radio Housing
- B) ISO Brackets
- C) Pocket
- D) Trim Plate
- E) Rear Support Bracket
- F) (4) #8 Phillips Pan Head Screws



### TOOLS REQUIRED:

- Small Flat Blade Screwdriver/ Panel Removal Tool
- Phillips Screwdriver



1-800-221-0932



[www.metraonline.com](http://www.metraonline.com)

© COPYRIGHT 2004-2007 METRA ELECTRONICS CORPORATION



**TABLE OF CONTENTS**

**Dash Disassembly**

- Nissan Altima 2002-2004 .....1

**Kit Preparation.** .....2

**Kit Assembly**

- DIN Mount Radio Provision with Pocket ..... 3

- ISO Mount Radio Provision with Pocket ..... 4

**Final Assembly** ..... 5

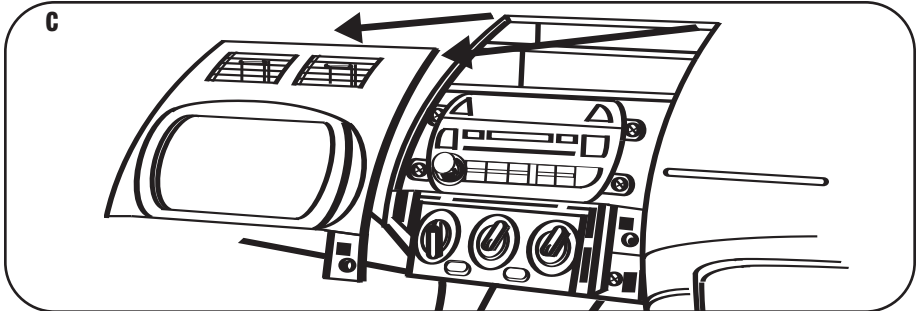
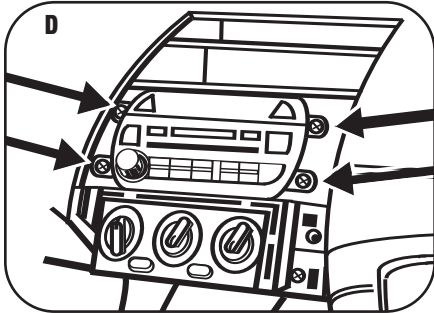
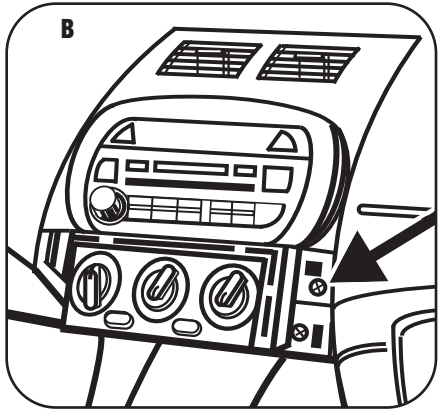
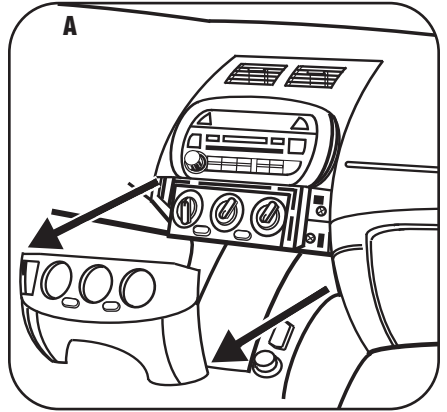
**\*Note:**

**Refer also to the instructions included with the aftermarket radio.**

**NISSAN ALTIMA 2002-2004**

- 1** Disconnect the negative battery terminal to prevent an accidental short circuit.
- 2** Unclip and remove the trim panel surrounding the climate controls. (Figure A)
- 3** Remove (1) Phillips screw (bottom right side of panel) securing the panel surrounding the radio then unclip and remove the panel. (Figure B,C)
- 4** Remove (4) Phillips screws securing radio to remove. (Figure D)

*Continue to final assembly.*

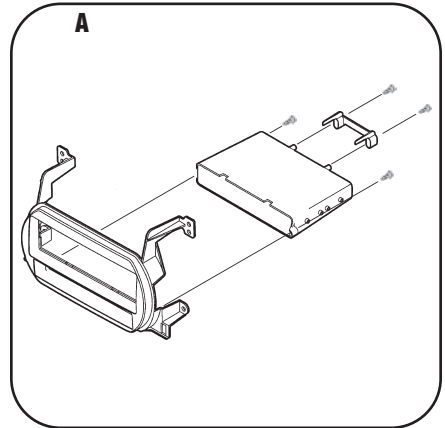




**NISSAN ALTIMA 2002-2004**

- 1** Mount the Pocket to the back of the Radio Housing with (2) #8 x 3/8" Phillips Pan-head Screws supplied. Mount the Rear Support Bracket to the back of the Pocket with (2) #8 x 3/8" Phillips Pan-head Screws supplied. (Figure A)

*Continue to kit assembly.*

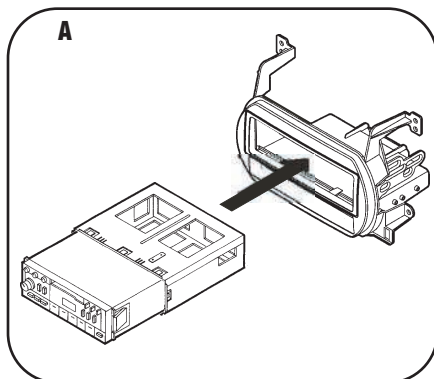


## DIN MOUNT RADIO PROVISION WITH POCKET

*\*Note: Refer also to the instructions included with the aftermarket radio.*

- 1 Slide the DIN cage into the Radio Housing and secure by bending the metal locking tabs outward. (Figure A)
- 2 Slide the aftermarket radio into the DIN cage/housing assembly until it snaps into place. (Figure B)

*Continue to final assembly.*

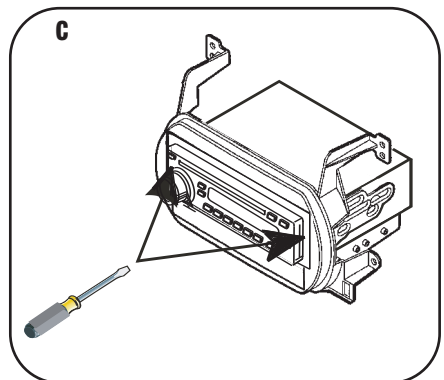
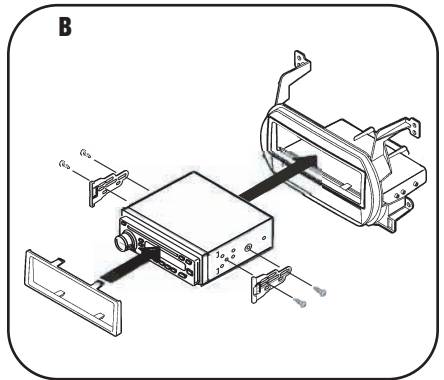
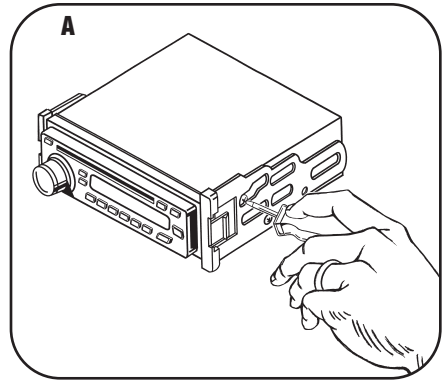


## ISO MOUNT RADIO PROVISION WITH POCKET

*\*Note: Refer also to the instructions included with the aftermarket radio.*

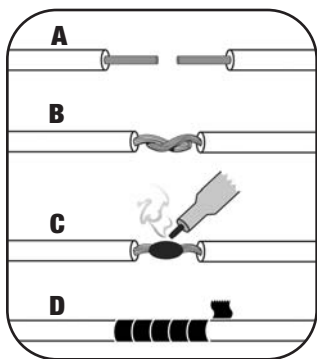
- 1 Align the holes from the ISO snap in brackets with the holes in the side of the radio and mount the brackets to the radio using screws supplied with the radio. (Figure A)
- 2 Slide the radio/bracket assembly into the radio housing until the assembly snaps into place. (Figure B)
- 3 Snap the ISO trim plate onto the radio and housing assembly. (Figure B)

*Continue to final assembly.*



**NOTE:** To remove the mounted head unit, unclip and remove the ISO trim plate. Using a small flat-blade screwdriver, disengage the side clips securing the ISO Brackets to the Radio Housing. (Figure C)

## FINAL ASSEMBLY



- (A) Strip wire ends back 1/2"**
- (B) Twist ends together**
- (C) Solder**
- (D) Tape**

- 1** Locate the factory wiring harness in the dash. Metra recommends using the proper mating adapter and making connections as shown. (Isolate and individually tape off the ends of any unused wires to prevent electrical short circuit.)
- 2** Re-connect the negative battery terminal and test the unit for proper operation.
- 3** Reassemble radio and dash assemblies in reverse order of disassembly.

### FINAL WIRING CONNECTIONS

Make wiring connections using the EIA color code chart shown below and the instructions included with the head unit. Metra recommends making connections as shown below; Strip, Splice, Solder, Tape. Isolate and individually tape off ends of any unused wires to prevent electrical short circuit.

#### METRA / EIA WIRING CODE

12V Ignition / Acc. . . . .	Red	Right Front (+) . . . . .	Gray
12V Batt / Memory . . . . .	Yellow	Right Front (-) . . . . .	Gray/ Black
Ground . . . . .	Black*	Left Front (+) . . . . .	White
Power Antenna . . . . .	Blue	Left Front (-) . . . . .	White / Black
Amp Turn-On . . . . .	Blue / White	Right Rear (+) . . . . .	Violet
Amp Ground . . . . .	Black / White	Right Rear (-) . . . . .	Violet / Black
Illumination . . . . .	Orange	Left Rear (+) . . . . .	Green
Dimmer . . . . .	Orange / White	Left Rear (-) . . . . .	Green / Black

**\*NOTE:** When a Black wire is not present, ground radio to vehicle chassis.  
All colors may not be present on all leads due to manufacturer's specifications.

# 99-7418 INSTRUCTIONS



**1-800-221-0932**



**[www.metraonline.com](http://www.metraonline.com)**

REV. 09/17/07 © COPYRIGHT 2004-2007 METRA ELECTRONICS CORPORATION INST99-7330