



## Installation instructions for part 95-7801

# Acura/Honda/Isuzu 1990-2006 95-7801

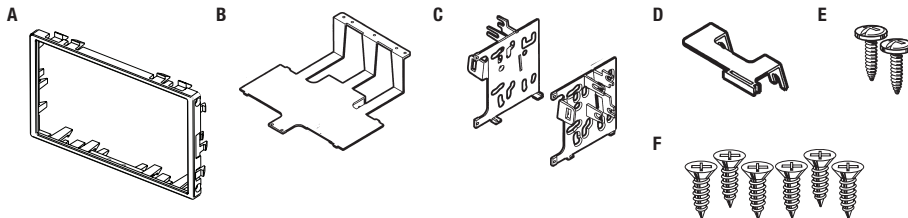
### KIT FEATURES

- ISO DDIN radio provision



### KIT COMPONENTS

- A) Radio housing
- B) Rear support tray
- C) ISO brackets
- D) Mounting bracket (Acura Legend)
- E) (2) #8 x 1/2" Phillips screws
- F) (6) #6 x 1/4" Phillips screws



### APPLICATIONS

See application list inside

### WIRING & ANTENNA CONNECTIONS (sold separately)

Wiring Harness:

- 70-1720 • 70-1721

Antenna Adapter:

- Not required

### TOOLS REQUIRED

- Phillips screwdriver
- Cutting tool
- 8mm socket wrench

**CAUTION!** All accessories, switches, climate controls panels, and especially air bag indicator lights must be connected before cycling the ignition. Also, do not remove the factory radio with the key in the on position, or while the vehicle is running.

## Applications

### Acura

CL.....	1997-1999
Integra.....	1990-2001
Legend.....	1991-1995
TL.....	1996-1998
Vigor.....	1992-1994

### Honda

Accord.....	1990-2002
Civic.....	1999-2000
Civic SE.....	2005 <i>(only)</i>
CR-V.....	1997-2006
Odyssey.....	1995-1998
Odyssey <i>(without NAV)</i> .....	1999-2004
Prelude.....	1989-2001

### Isuzu

Oasis.....	1996-1999
------------	-----------

## Table of Contents

### Dash Disassembly

#### Acura

– CL 1997-1999.....	3
– Integra 1990-1993.....	3
– Integra 1994-2001.....	4
– Legend 1991-1995.....	4
– TL 1996-1998.....	5
– Vigor 1992-1994.....	5

#### Honda

– Accord 1990-1993.....	6
– Accord 1994-1997.....	6
– Accord 1998-2002.....	7
– Civic 1999-2000.....	7
– Civic SE 2005 <i>(only)</i> .....	8
– CR-V 1997-2001.....	9
– CR-V 2002-2006.....	10

### Honda (Cont'd)

– Odyssey 1995-1998.....	11
– Odyssey 1999-2004 <i>(without NAV)</i> .....	11
– Prelude 1988-1991.....	12
– Prelude 1992-1996.....	13
– Prelude 1997-2001.....	13

### Isuzu

– Oasis 1996-1999.....	11
------------------------	----

### Kit Assembly

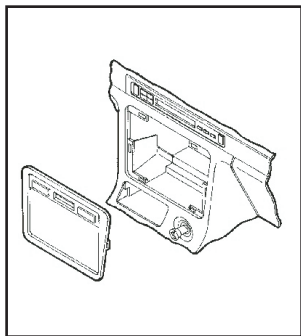
– ISO DDIN radio provision.....	14-15
---------------------------------	-------

## Dash Disassembly

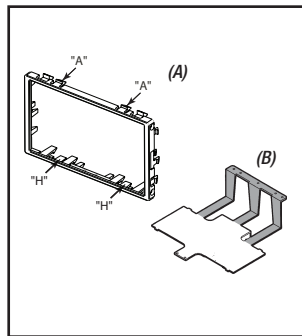
### Acura CL 1997-1999

1. Unclip the radio trim bezel and disconnect the clock and climate control wiring. Remove (2) 8mm hex-head screws securing the factory radio and disconnect the wiring. (Figure A)
2. Cut and remove all mounting clips on the *radio housing* EXCEPT clips "A" and "H" (Figure B, A). Cut and remove the rear brackets from the *rear support tray*. (Figure B, B)

*Continue to kit assembly*



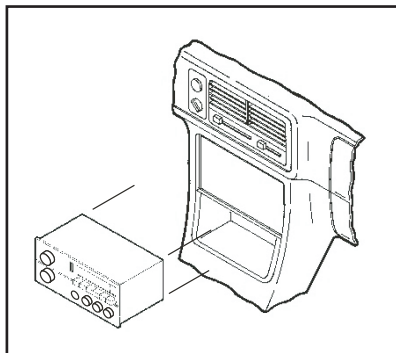
(Figure A)



(Figure B)

### Acura Integra 1990-1993

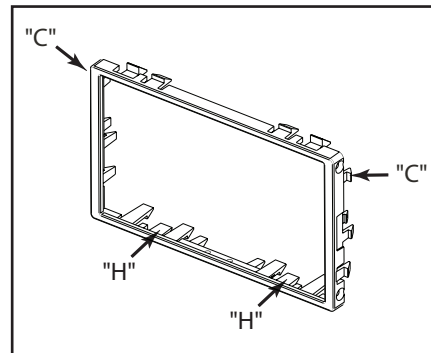
1. Remove (3) screws from each side of the center console and remove the console. Remove (2) screws securing the factory radio to the sub-dash support bracket. Slide the radio/pocket assembly out and disconnect the wiring. (Figure A)



(Figure A)

2. Cut and remove all mounting clips on the radio housing EXCEPT clips "C" and "H". (Figure B)

*Continue to kit assembly*



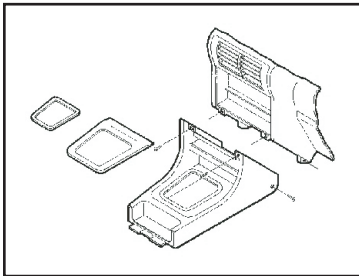
(Figure B)

## Dash Disassembly

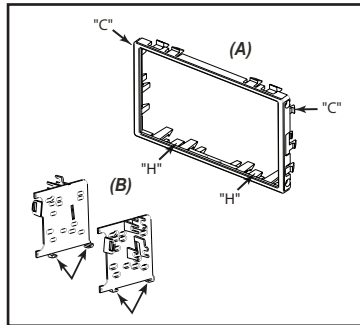
### Acura Integra 1994-2001

1. Remove the cover cap located under the emergency brake and remove (2) screws exposed. Remove (2) screws from the rear corners of the lower dash trim bezel and remove. Remove the ashtray and (2) screws exposed. Unsnap the ashtray housing and disconnect the cigarette lighter harness. Remove the gear shifter knob and unsnap the shifter trim. Remove (2) screws below the radio opening and remove the upper dash trim bezel. Remove (2) 8mm screws securing the factory radio and disconnect the wiring. (Figure A)
2. Cut and remove all mounting clips on the radio housing EXCEPT clips "C" and "H" (Figure B, A). Cut and remove the slots on the bottom of the ISO brackets (Figure B, B). **Note:** The rear support tray will not be used in this application.

*Continue to kit assembly*



(Figure A)

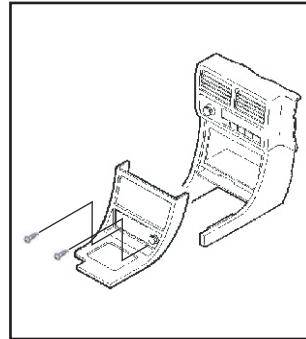


(Figure B)

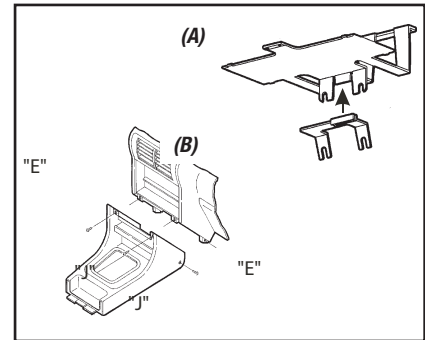
### Acura Legend 1991-1995

1. Remove (2) screws below the ashtray. Unclip the dash trim bezel. Disconnect the cigarette lighter wiring and remove the bezel. Remove (2) bolts securing the rear of the factory radio and disconnect the wiring. (Figure A)
2. Attach the mounting bracket to the bottom of the rear support tray (Figure B, A). Cut and remove all mounting clips on the radio housing EXCEPT clips "E" and "J". (Figure B, B)

*Continue to kit assembly*



(Figure A)



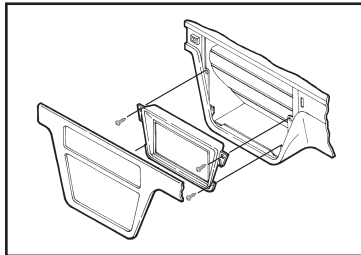
(Figure B)

## Dash Disassembly

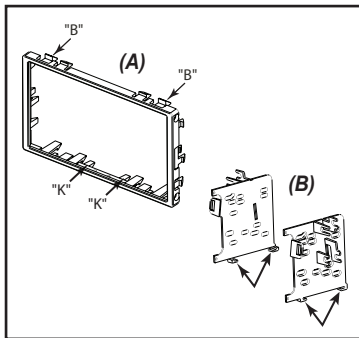
### Acura TL 1996-1998

- Using a small screwdriver, unclip the perimeter of the radio trim bezel. Disconnect the climate control and rear defroster wiring and remove the bezel. Remove (4) Phillips screws securing the factory radio/trim bezel assembly. Loosen (2) Phillips screws securing the back of the radio to the metal housing and slide the radio out (it is NOT necessary to remove the screws securing the metal housing to the bezel). Disconnect the wiring. (Figure A)
- Cut and remove all mounting clips on the radio housing EXCEPT clips "B" and "K" (Figure B, A). Cut and remove the slots on the bottom of the ISO brackets. (Figure B, B) **Note:** The rear support tray will not be used in this application.

Continue to kit assembly



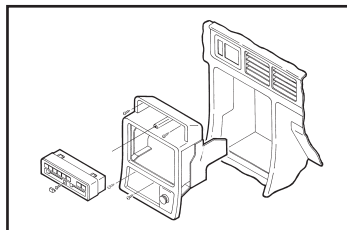
(Figure A)



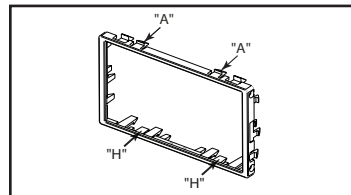
(Figure B)

- Remove the access cap from the climate control cluster and (1) screw exposed. Unclip the cluster and remove (2) screws exposed. Remove the ashtray and (2) Phillips screws exposed. Remove the cover caps from each front corner of the center console and the screws exposed. Open the storage compartment, lift up the carpet and remove (2) screws exposed. Lift up on the center console and remove. Unclip the radio trim bezel and disconnect the wiring. Remove (2) bolts from the back of the factory radio and disconnect the wiring. (Figure A)
- Cut and remove all mounting clips on the radio housing EXCEPT clips "A" and "H". (Figure B)
- Modify the factory radio housing by trimming the shaded portions of the housing lip. (Figure C)

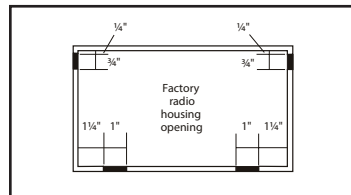
Continue to kit assembly



(Figure A)



(Figure B)



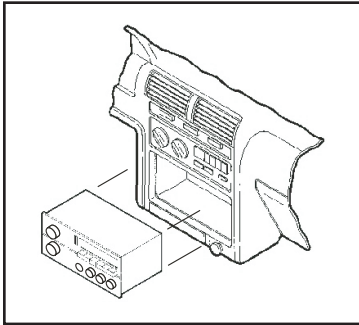
(Figure C)

## Dash Disassembly

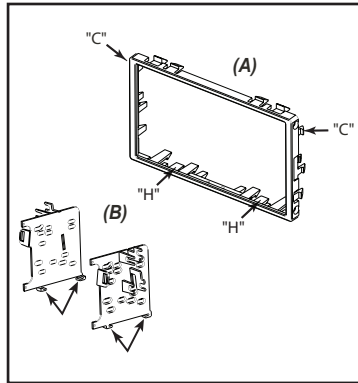
### Honda Accord 1990-1993

1. Remove (4) screws from the lower portion of the center console. Remove the gear shifter knob and lift the console out. Remove the ashtray and ashtray bracket. Remove (2) screws from the bottom of the radio support, slide the radio out and disconnect the wiring. (Figure A)
2. Cut and remove all mounting clips on the radio housing EXCEPT clips "C" and "H" (Figure B, A). Cut and remove the slots on the bottom of the *ISO brackets* (Figure B, B). **Note:** The rear support tray will not be used in this application.

Continue to kit assembly



(Figure A)

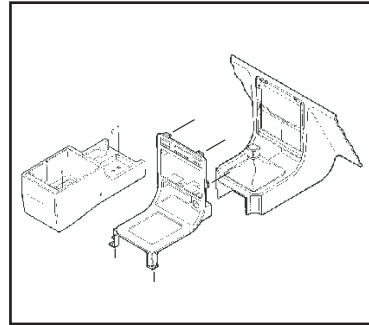


(Figure B)

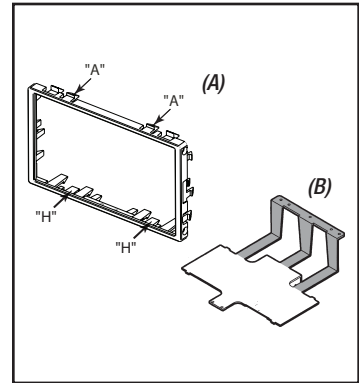
### Honda Accord 1994-1997

1. Remove the ashtray and (1) 3/4" #8 Phillips screw exposed. Open the storage compartment and remove (2) #8 Phillips screws exposed. Remove the cup holder tray and (3) #8 Phillips screws inside. Lift the center console out and remove (2) Phillips screws exposed at the base of the dash trim bezel. Unclip the bezel and remove. Remove (2) hex-head screws securing the factory radio and disconnect the wiring. (Figure A)
2. Cut and remove all mounting clips on the radio housing EXCEPT clips "A" and "H" (Figure B, A). Cut and remove the rear brackets from the rear support tray (Figure B, B).

Continue to kit assembly



(Figure A)



(Figure B)

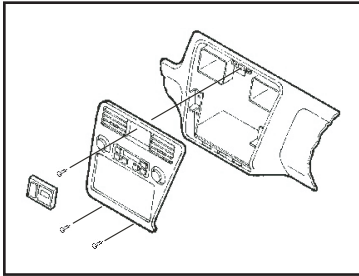
## Dash Disassembly

### Honda Accord 1998-2002

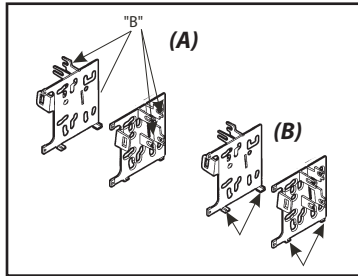
1. Unsnap the clock panel, disconnect the wiring and remove. Remove (1) Phillips screw exposed in the clock cavity. Remove (2) Phillips screws below the factory radio. Unclip the radio trim bezel and disconnect the wiring. Remove (4) Phillips screws securing the factory radio assembly and disconnect the wiring. Remove (2) screws securing the factory pocket to the assembly. (Figure A)
2. Cut and remove tabs "B" from the *ISO brackets* (the clips can be identified by the stamped letter on the back of the housing, near each clip) (Figure B, A). Cut and remove the slots on the bottom of the *ISO brackets* (Figure B, B).

**Note:** The rear support tray will not be used in this application.

Continue to kit assembly



(Figure A)

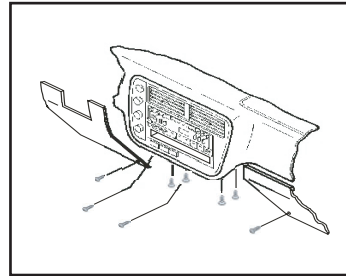


(Figure B)

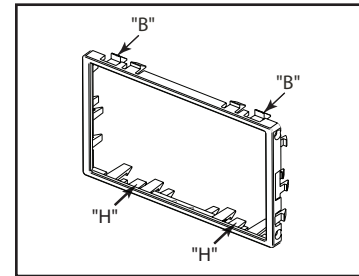
### Honda Civic 1999-2000

1. Remove (2) Phillips screws from the bottom edge of the glove box door and remove the door. Remove (3) Phillips screws from the lower steering column panel. Pull straight down on the lower steering column panel and remove the panel. Remove (2) Phillips screws under the climate controls. Remove (4) Phillips screws from the lower dash location. Remove (4) Phillips screws securing the bottom of the dash trim bezel/radio assembly and pull the assembly out as far as possible. Cut the zip ties securing the radio and climate control wires, slide dash trim bezel/radio assembly from the dash cavity and disconnect the wiring. (Figure A)
2. Cut and remove all mounting clips on the radio housing EXCEPT clips "B" and "H". (Figure B)

Continue to kit assembly



(Figure A)



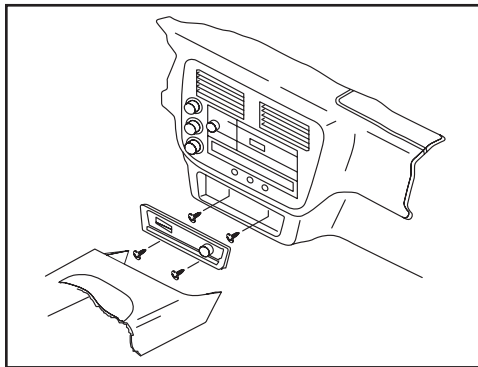
(Figure B)

## Dash Disassembly

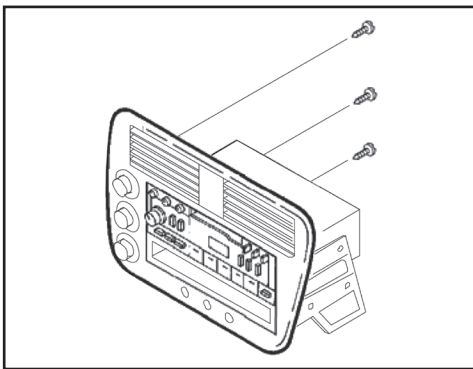
### Honda Civic SE 2005 *(only)*

1. Unsnap and remove the trim ring from around floor shifter.
2. Unsnap and remove larger trim around floor console shifter.
3. Remove (2) Phillips screws from in between cup holder and shifter. (Figure A)
4. Unsnap sides of console (2 snaps per side) and remove with power outlet assembly.
5. Remove (2) Phillips screws from under radio assembly, facing up. (Figure A)
6. Remove (3) screws securing the climate control pod to the back of the dash trim bezel and remove the pod. (Figure B)
7. Remove (4) Phillips screws from each side securing the factory head radio to the bracket assembly and remove the radio.
8. Cut and remove all mounting clips on the radio housing, EXCEPT clips "B" and "H" (the clips can be identified by the stamped letter on the back of the housing, near each clip). (Figure C)

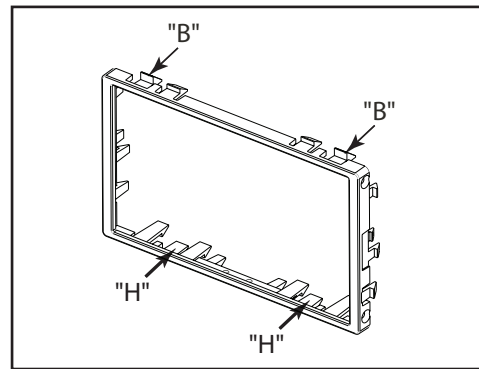
*Continue to kit assembly*



(Figure A)



(Figure B)



(Figure C)

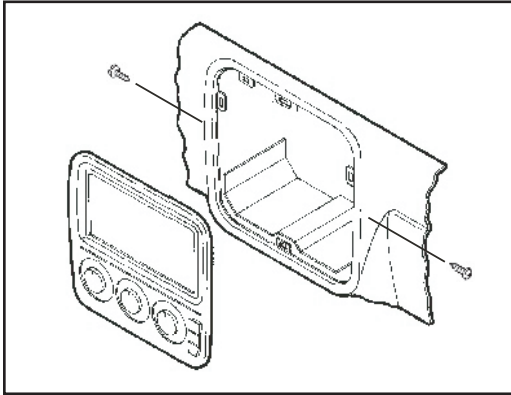


## Dash Disassembly

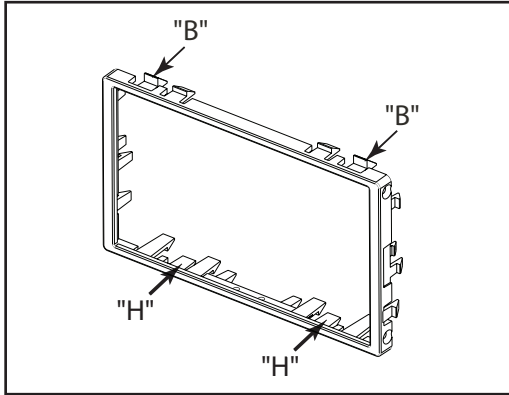
### Honda CR-V 1997-2001

1. Open the glove box, squeeze the retaining clips and remove the stoppers. Lower the glove box and remove (2) Phillips screws from the left edge. Remove (2) Phillips screws from the lower steering column panel and remove. Unclip the lower console cover (below the ashtray and pocket) and remove. Remove (2) Phillips screws from the base of the center console, open the console pocket and remove the (4) outer screws exposed. Unclip the center console and remove. Remove (2) Phillips screws securing the radio trim bezel, disconnect the wiring, and remove the trim bezel/radio assembly. Remove (4) Phillips screws securing the radio to the bezel and remove. (Figure A)
2. Cut and remove all mounting clips on the radio housing EXCEPT clips "B" and "H" (Figure B, A).

*Continue to kit assembly*



(Figure A)

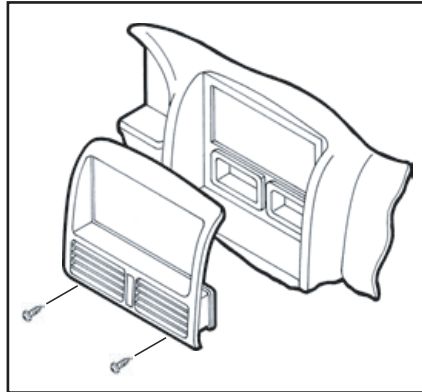


(Figure B)

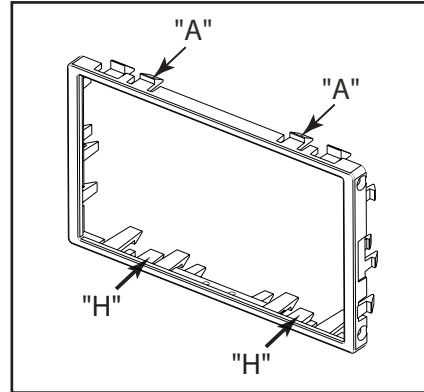
## Dash Disassembly Honda CR-V 2002-2006

1. Remove (2) Phillips from the bottom edge of the radio trim bezel. Unclip the trim bezel and remove. Remove (4) Phillips screws securing the factory radio and disconnect the wiring. (Figure A)
2. Cut and remove all mounting clips on the *radio housing* EXCEPT clips "A" and "H". (Figure B)

*Continue to kit assembly*



(Figure A)



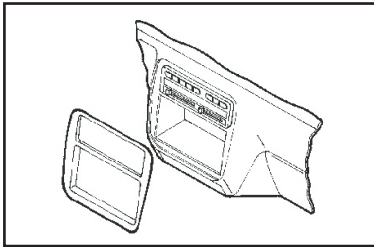
(Figure B)

## Dash Disassembly

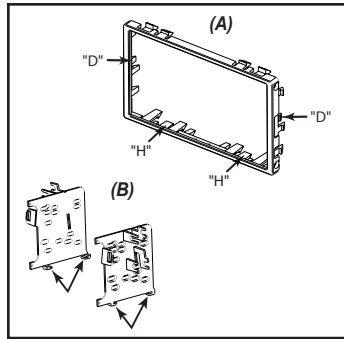
### Honda Odyssey 1995-1998 / Isuzu Oasis 1996-1999

1. Lower the glove box assembly. Remove (2) Phillips screws exposed on the right side of the underdash. Remove (2) Phillips screws from the driver's side knee bolster and (1) Phillips screw in the coin pocket. Remove (5) Phillips screws from the underdash panel and remove the panel. Remove (4) Phillips screws from the cup holder assembly and remove. Remove (2) Phillips screws securing the factory radio and disconnect the wiring. (Figure A)
2. Cut and remove all mounting clips on the radio housing EXCEPT clips "D" and "H" (Figure B, A). Cut and remove the slots on the bottom of the *ISO brackets* (Figure B, B). **Note:** The rear support tray will not be used in this application.

Continue to kit assembly



(Figure A)



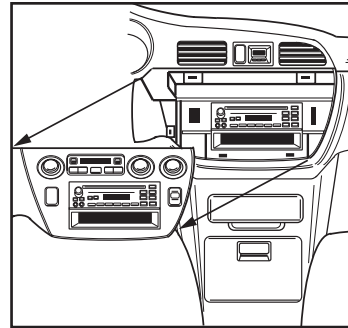
(Figure B)

### Honda Odyssey (without NAV) 1999-2004

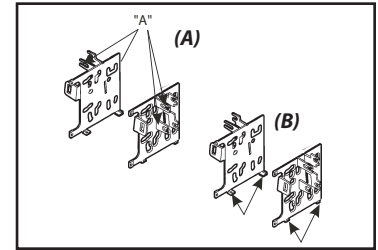
1. Unclip the radio trim bezel (including the climate control panel) and remove. Remove (4) Phillips screws securing the factory radio and disconnect the wiring. (Figure A)
2. Cut and remove tabs "A" from the *ISO brackets* (the clips can be identified by the stamped letter on the back of the housing, near each clip) (Figure B, A). Cut and remove the slots on the bottom of the *ISO brackets* (Figure B, B).

**Note:** The rear support tray will not be used in this application.

Continue to kit assembly



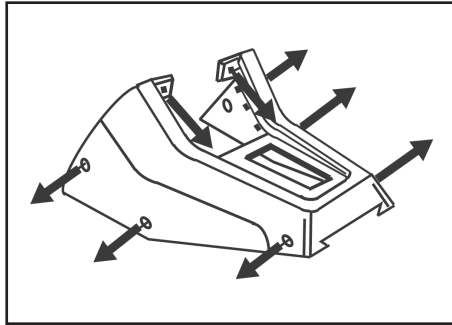
(Figure A)



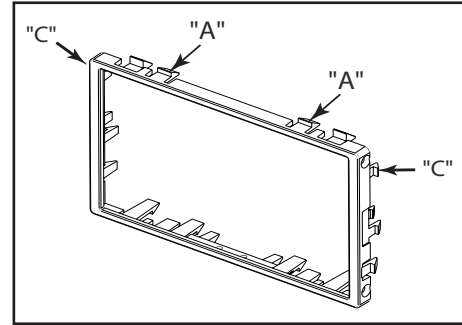
(Figure B)

## Dash Disassembly Honda Prelude 1988-1991

1. Remove (2) Phillips screws located below the climate controls. (Figure A)
2. Remove (1) Phillips screw from each side of the dash console and (2) Phillips screws from each side of the floor console. (Figure A)
3. Remove the plastic dummy cap from the end of the dash console and (2) Phillips screws exposed. (Figure A)
4. Pull the floor console out and gently remove the dash console.
5. Remove (6) Phillips screws securing the factory radio and disconnect the wiring.
6. Cut and remove all of the mounting clips on the radio housing EXCEPT clips "A" and "C" (the clips can be identified by the stamped letter on the back of the housing, near each clip). (Figure B)



(Figure A)



(Figure B)

*Continue to kit assembly*

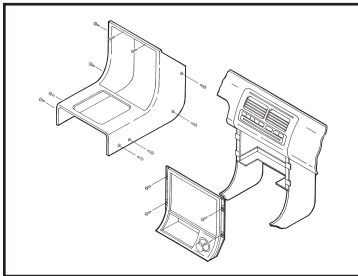
## Dash Disassembly

### Honda Prelude 1992-1996

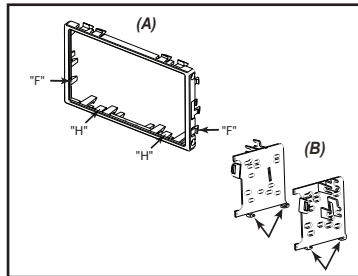
1. Remove (2) screws from the top of the console trim bezel. Slide the front seats back and remove (4) Phillips screws from each side of the bezel. Pull up on the console trim bezel and remove. Using an angled screwdriver, remove (2) screws securing the gear shifter bracket to the bezel. Remove (4) screws from the radio trim bezel, remove the factory radio assembly and disconnect the wiring. (Figure A)
2. Cut and remove the mounting tabs from the bottom of the rear support tray (Figure B, A). Cut and remove all mounting clips on the radio housing EXCEPT clips "F" and "H" (Figure B, B). Cut and remove the slots on the bottom of the ISO brackets (Figure B, C).

**Note:** The rear support tray will not be used in this application.

Continue to kit assembly



(Figure A)

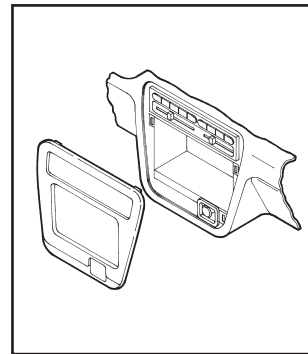


(Figure B)

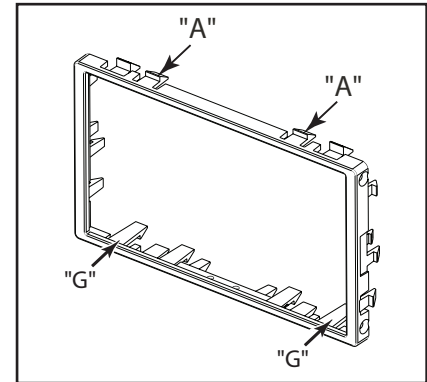
### Honda Prelude 1997-2001

1. Using a panel removal tool, unclip the radio trim bezel and remove (some force may be required). Remove (4) Phillips screws securing the factory radio/bracket housing assembly and disconnect the wiring. Remove (4) Phillips screws securing the factory radio to the bracket housing and remove. (Figure A)
2. Cut and remove all mounting clips on the radio housing EXCEPT clips "A" and "G". (Figure B)

Continue to kit assembly



(Figure A)



(Figure B)

## Kit Assembly

**Attention:** Use the steps below for the following vehicles: Honda CR-V 1997-2001, Honda Prelude 1997-2001, Honda Civic 1999-2000. For all other vehicles skip to the next kit assembly section.

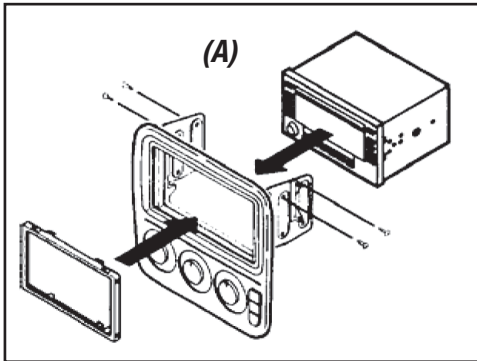
### ISO DDIN radio provision

1. Slide the radio into the factory bracket assembly.
2. Align the holes in the brackets with the holes in the radio, and then secure it with the screws included with the radio.
3. Cut and remove the dividing rib from the *radio housing*, and then snap it into the opening of the factory radio trim bezel.
4. Locate the factory wiring harness and antenna connector in the dash, and complete all necessary connections to the radio. Metra recommends using the proper mating adapter from Metra and/or AXXESS. Re-connect the negative battery terminal and test the radio for proper operation.
5. Reassemble the dash in reverse order of disassembly.

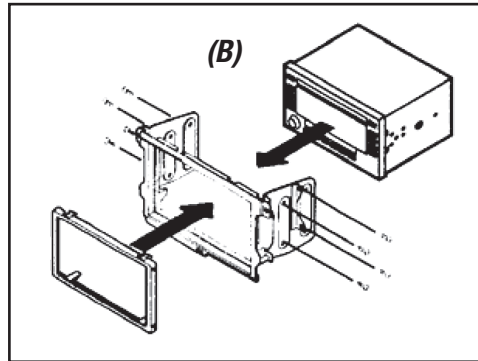
(Figure A Honda CR-V 1997-2001)

(Figure B Honda Prelude 1997-2001)

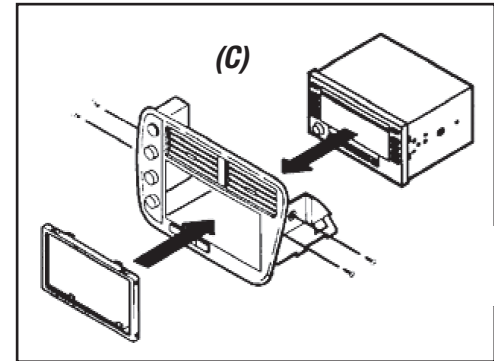
(Figure C Honda Civic 1999-2000)



(Figure A)



(Figure B)



(Figure C)

## Kit Assembly

### ISO DDIN radio provision

1. Cut and remove the dividing rib from the radio opening.
2. Align the holes in the *ISO brackets* with the holes in the radio, and then secure it with the screws included with the radio. (Figure A)
3. Slide the *rear support tray* under the radio, position the *radio housing* over the radio, and then secure the assembly to the *ISO brackets* with (4) #6 x 1/4" Phillips screws supplied. (Figure A)
4. Secure the *rear support tray* with (2) #6 x 1/4" Phillips screws supplied. (Figure A)
5. Locate the factory wiring harness and antenna connector in the dash, and complete all necessary connections to the radio. Metra recommends using the proper mating adapter from Metra and/or AXXESS. Re-connect the negative battery terminal and test the radio for proper operation.

### 6. (a) Honda Accord 1994-1997, Acura CL 1997-1999:

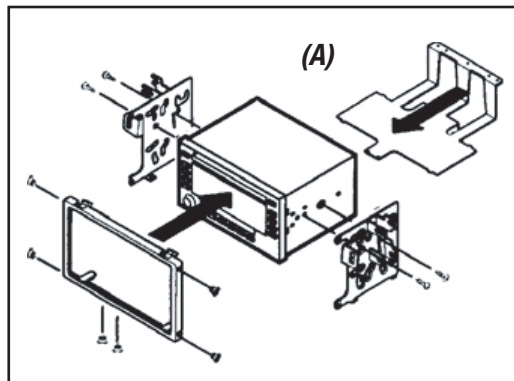
1. Mount the completed assembly into the radio cavity with the (2) screws previously removed in dash disassembly.
2. Reassemble the dash in reverse order of disassembly.

### (b) Honda Accord 1998-2002, Honda Odyssey (without NAV) 1999-2004:

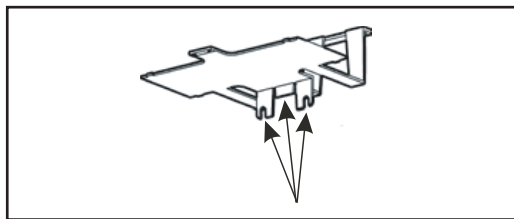
1. Mount the completed assembly into the radio cavity with the (4) screws previously removed in dash disassembly.
2. Reassemble the dash in reverse order of disassembly.

### (c) For all other applications:

1. Cut and remove all the mounting tabs on the *ISO brackets*.
2. Cut and remove the mounting tabs from the bottom of the *rear support tray*. (Figure B).
3. Reassemble the dash in reverse order of disassembly.
4. Snap the completed assembly into the radio cavity.



(Figure A)



(Figure B)



Installation instructions for part 95-7801



## IMPORTANT

If you are having difficulties with the installation of this product, please call our Tech Support line at **1-800-253-TECH**. Before doing so, look over the instructions a second time, and make sure the installation was performed exactly as the instructions are stated. Please have the vehicle apart and ready to perform troubleshooting steps before calling.



### KNOWLEDGE IS POWER

Enhance your installation and fabrication skills by enrolling in the most recognized and respected mobile electronics school in our industry. Log onto [www.installerinstitute.com](http://www.installerinstitute.com) or call 800-354-6782 for more information and take steps toward a better tomorrow.



**Metra recommends MECP certified technicians**

REV. 5/16/2016 INST95-7801





## Instrucciones de instalación para la pieza 95-7801

# Acura/Honda/Isuzu 1990-2006 95-7801

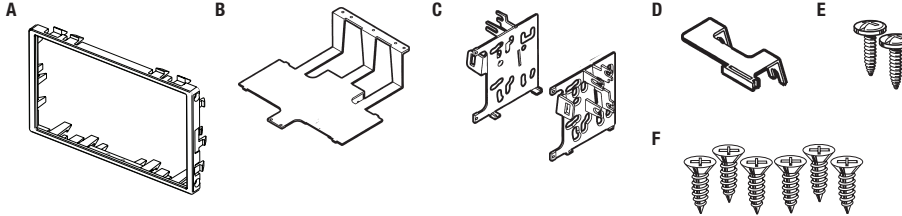
### CARACTERÍSTICAS DEL KIT

- Provisión de radio ISO DDIN



### COMPONENTES DEL KIT

- A) Carcasa del radio • B) Bandeja de soporte • C) Soportes ISO • D) Soportes de montaje (Acura Legend)
- E) (2) Tornillos Phillips #8 x 1/2" • F) (6) Tornillos Phillips #6 x 1/4"



### APLICACIONES

Ver interior de la portada

### CABLEADO Y CONEXIONES DE ANTENA

(se venden por separado)

Arnés de cableado:

- 70-1720 • 70-1721

Adaptador de antena:

- No se requiere

### HERRAMIENTAS REQUERIDAS

- Destornillador Phillips • Herramienta de corte
- llave de tubo 8mm

**¡PRECAUCIÓN!** Todos los accesorios, interruptores, paneles de controles de clima y especialmente las luces del indicador de las bolsas de aire deben estar conectados antes ciclar la ignición. Además, no quite el radio de fábrica con la llave en la posición o de encendido ni con el vehículo funcionando.

## Aplicaciones

### Acura

CL.....	1997-1999
Integra.....	1990-2001
Legend.....	1991-1995
TL.....	1996-1998
Vigor.....	1992-1994

### Honda

Accord.....	1990-2002
Civic.....	1999-2000
Civic SE.....	2005 <i>(solamente)</i>
CR-V.....	1997-2006
Odyssey.....	1995-1998
Odyssey <i>(sin NAV)</i> .....	1999-2004
Prelude.....	1989-2001

### Isuzu

Oasis.....	1996-1999
------------	-----------

## Desmontaje tablero

### Acura

– CL 1997-1999.....	3
– Integra 1990-1993.....	3
– Integra 1994-2001.....	4
– Legend 1991-1995.....	4
– TL 1996-1998.....	5
– Vigor 1992-1994.....	5

### Honda

– Accord 1990-1993.....	6
– Accord 1994-1997.....	6
– Accord 1998-2002.....	7
– Civic 1999-2000.....	7
– Civic SE 2005 <i>(solamente)</i> .....	8
– CR-V 1997-2001.....	9
– CR-V 2002-2006.....	10

## Indice

### Honda (Cont'd)

– Odyssey 1995-1998.....	11
– Odyssey 1999-2004 <i>(sin NAV)</i> .....	11
– Prelude 1988-1991.....	12
– Prelude 1992-1996.....	13
– Prelude 1997-2001.....	13

### Isuzu

– Oasis 1996-1999.....	11
------------------------	----

### Ensamble del kit

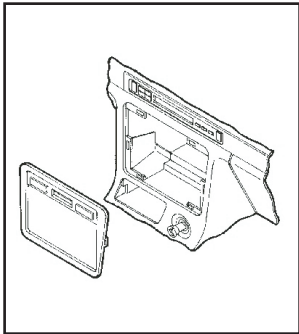
– Provisión de radio ISO DDIN.....	14-15
------------------------------------	-------

## Desmontaje tablero

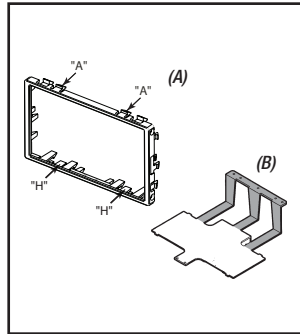
### Acura CL 1997-1999

1. Desenganche el bisel de la moldura del radio y desconecte el cableado del reloj y del control del clima. Quite los (2) tornillos de cabeza hexagonal de 8 mm que sujetan el radio de fábrica y desconecte el cableado. (Figura A)
2. Corte y quite todos los ganchos de montaje de la *carcasa del radio* EXCEPTO los ganchos "A" y "H". Corte y quite los soportes posteriores de la *bandeja de soporte trasero*. (Figura B, B)

*Continúe con el ensamble del kit*



(Figura A)

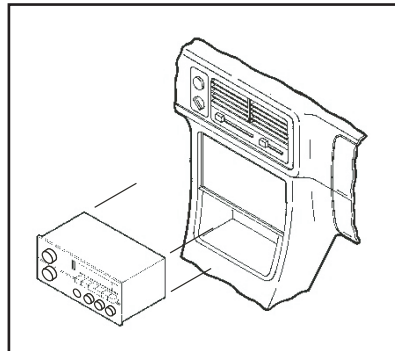


(Figura B)

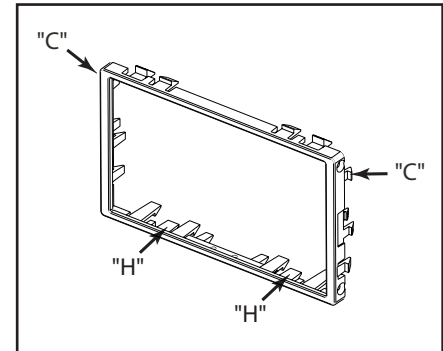
### Acura Integra 1990-1993

1. Quite los (3) tornillos a cada lado de la consola central y quite la consola. Quite los (2) tornillos que sujetan el radio de fábrica al soporte de apoyo del sub tablero. Deslice el ensamble de radio/cavidad hacia afuera y desconecte el cableado. (Figura A)
2. Corte y quite todos los ganchos de montaje de la carcasa del radio EXCEPTO los ganchos "C" y "H". (Figura B)

*Continúe con el ensamble del kit*



(Figura A)



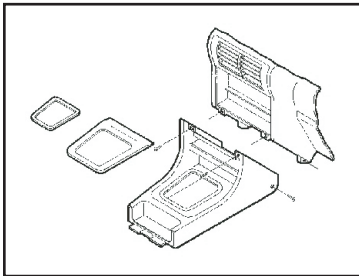
(Figura B)

## Desmontaje tablero

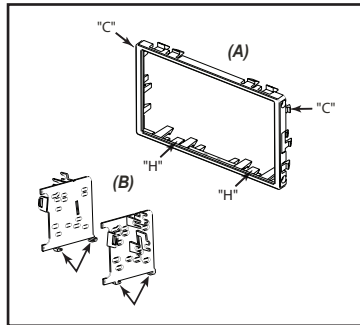
### Acura Integra 1994-2001

1. Quite la tapa de la cubierta localizada debajo del freno de emergencia y quite los (2) tornillos expuestos. Quite los (2) tornillos de las esquinas traseras del bisel de la moldura del tablero inferior y quite. Quite el cenicero y los (2) tornillos expuestos. Suelte a presión la carcasa del cenicero y desconecte el arnés del encendedor. Retire la perilla de la palanca de velocidades y suelte a presión la moldura de la palanca. Quite los (2) tornillos debajo de la apertura del radio y quite el bisel de la moldura del tablero superior. Quite los (2) tornillos de 8 mm que sujetan el radio de fábrica y desconecte el cableado. (Figura A)
2. Corte y quite todos los ganchos de montaje de la carcasa del radio EXCEPTO los ganchos "C" y "H" (Figura B, A). Corte y retire las ranuras en la parte inferior de los soportes ISO (Figura B, B). **Nota:** La bandeja de soporte trasero no será utilizado.

Continúe con el ensamble del kit



(Figura A)

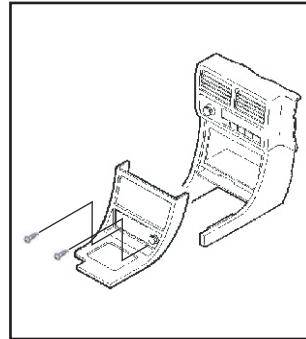


(Figura B)

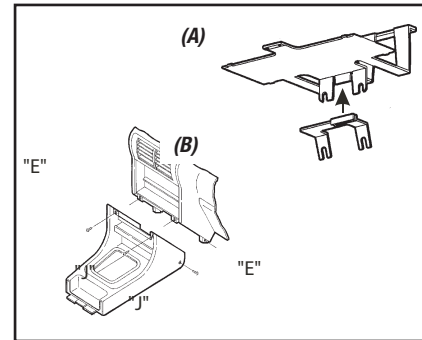
### Acura Legend 1991-1995

1. Quite los (2) tornillos de debajo del cenicero. Desenganche el bisel de la moldura del tablero. Desconecte el cableado del encendedor y retire el bisel. Retire los (2) pernos que sujetan la parte trasera del radio de fábrica y desconecte el cableado. (Figura A)
2. Coloque el soporte de montaje a la parte inferior de la bandeja de soporte trasera (Figura B, A). Corte y quite todos los ganchos de montaje de la carcasa del radio EXCEPTO los ganchos "E" y "J". (Figura B, B)

Continúe con el ensamble del kit



(Figura A)



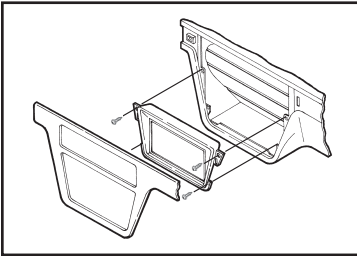
(Figura B)

## Desmontaje tablero

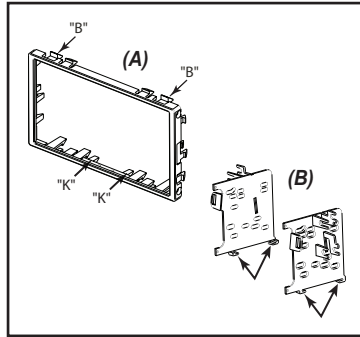
### Acura TL 1996-1998

1. Usando un destornillador pequeño, desenganche el perímetro del bisel de la moldura del radio. Desconecte el cableado del control de clima y del desempañador trasero y retire el bisel. Quite los (4) tornillos Phillips que sujetan el ensamble del radio de fábrica/bisel de la moldura. Afloje los (2) tornillos Phillips que sujetan la parte posterior del radio a la carcasa metálica y deslice el radio hacia afuera (no es necesario retirar los tornillos que sujetan el metal). Desconecte el cableado. (Figura A)
2. Corte y quite todos los ganchos de montaje de la carcasa del radio EXCEPTO los ganchos "B" y "K" (Figura B, A). Corte y retire las ranuras en la parte inferior de los soportes ISO. (Figura B, B) **Nota:** La bandeja de soporte trasero no será utilizado.

*Continúe con el ensamble del kit*



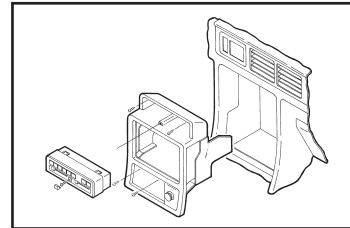
(Figura A)



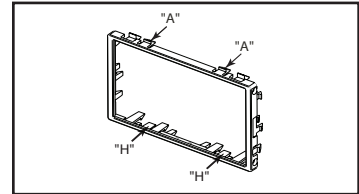
(Figura B)

1. Retire la tapa de acceso del conjunto del control del clima y (1) tornillos expuesto. Desenganche el conjunto y quite los (2) tornillos expuestos. Quite el cenicero y los (2) tornillos Phillips expuestos. Quite las tapas de la cubierta de cada esquina delantera de la consola central y los tornillos expuestos. Abra el compartimiento de almacenamiento, levante la alfombra y quite los (2) tornillos expuestos. Levante la consola central y retire. Desenganche el bisel de la moldura del radio y desconecte el cableado. Retire los (2) pernos de la parte trasera del radio de fábrica y desconecte el cableado. (Figura A)
2. Corte y quite todos los ganchos de montaje de la carcasa del radio EXCEPTO los ganchos "A" y "H". (Figura B)
3. Modifique la vivienda radio de fábrica por el recorte de las partes sombreadas del labio vivienda. (Figura C)

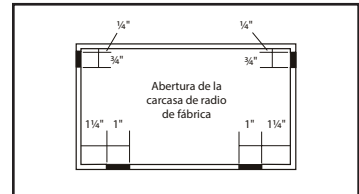
*Continúe con el ensamble del kit*



(Figura A)



(Figura B)



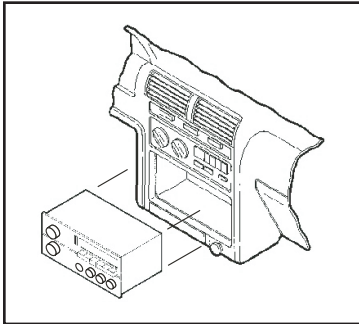
(Figura C)

## Desmontaje tablero

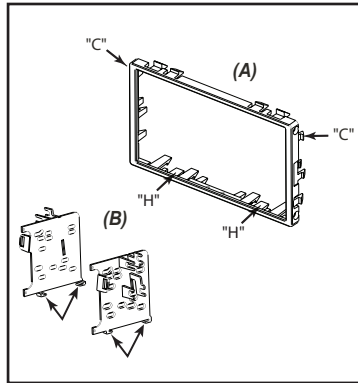
### Honda Accord 1990-1993

1. Quite los (4) tornillos de la porción inferior de la consola central. Retire la perilla de la palanca de velocidades y levante la consola para sacarla. Retire el cenicero y el soporte del cenicero. Quite los (2) tornillos de la parte inferior del radio de fábrica, deslice el radio hacia afuera y desconecte el cableado. (Figura A)
2. Corte y quite todos los ganchos de montaje de la carcasa del radio EXCEPTO los ganchos "C" y "H" (Figura B, A). Corte y retire las ranuras en la parte inferior de los soportes ISO (Figura B, B). **Nota:** La bandeja de soporte trasero no será utilizado.

Continúe con el ensamble del kit



(Figura A)

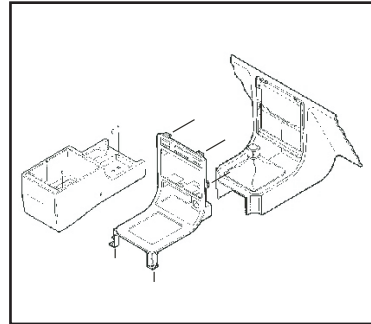


(Figura B)

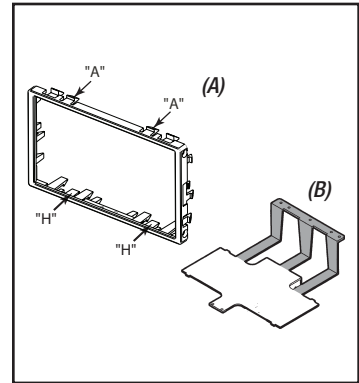
### Honda Accord 1994-1997

1. Retire el cenicero y (1) tornillo Phillips #8 de 3/4" expuesto. Abra el compartimiento de almacenamiento y quite los (2) tornillos Phillips #8 expuestos. Quite la charola del portavasos y los (3) tornillos Phillips #8 del interior. Levante la consola central y quite los (2) tornillos Phillips expuestos en la base del bisel de la moldura del radio. Desenganche el bisel y quite. Quite los (2) tornillos de cabeza hexagonal que sujetan el radio de fábrica y desconecte el cableado. (Figura A)
2. Corte y quite todos los ganchos de montaje de la carcasa del radio EXCEPTO los ganchos "A" y "H" (Figura B, A). Corte y quite los soportes posteriores de la bandeja de soporte trasero (Figura B, B).

Continúe con el ensamble del kit



(Figura A)



(Figura B)

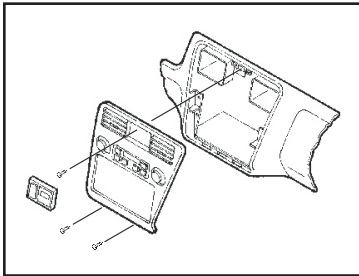
## Desmontaje tablero

### Honda Accord 1998-2002

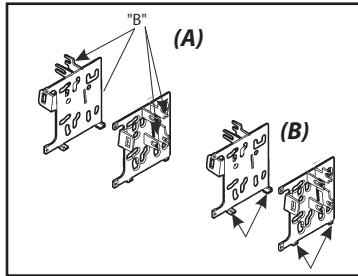
1. Suelte a presión el panel del radio, desconecte el cableado y retire. Retire (1) tornillo Phillips expuesto en la cavidad del reloj. Quite los (2) tornillos Phillips debajo del radio de fábrica. Desenganche el bisel de la moldura del radio y desconecte el cableado. Quite los (4) tornillos Phillips que sujetan el ensamble del radio de fábrica y desconecte el cableado. Quite los (2) tornillos que sujetan la cavidad de fábrica al ensamble. (Figura A)
2. Corte y quite las pestañas "B" para el soportes ISO (los clips pueden ser identificados por la letra estampada en la parte posterior de la carcasa, cerca de cada clip). (Figura B, A). Corte y retire las ranuras en la parte inferior de los soportes ISO (Figura B, B).

**Nota:** La bandeja de soporte trasero no será utilizado.

Continúe con el ensamble del kit



(Figura A)

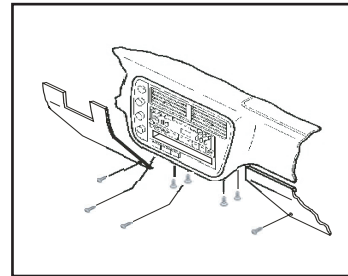


(Figura B)

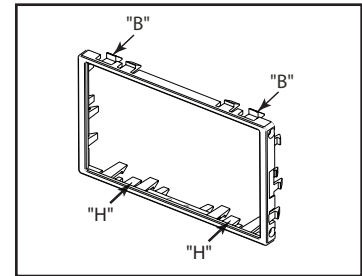
### Honda Civic 1999-2000

1. Quite los (2) tornillos Phillips del borde inferior de la puerta de la guantera y quite la puerta. Quite (3) tornillos Phillips del panel inferior de la columna de dirección. Jale en línea recta hacia abajo en el panel de la columna de dirección inferior y quite el panel. Quite (2) tornillos Phillips que están debajo del panel de controles de clima. Quite (4) tornillos Phillips de la ubicación inferior del tablero. Quite los (4) tornillos Phillips que sujetan la parte inferior del bisel de la moldura del tablero/ensamble de radio y jale el ensamble para sacarlo tanto como sea posible. Corte las corbatas que sujetan los cables del radio y del control de clima, deslice el bisel de la moldura del tablero/ensamble de radio de la cavidad del tablero y desconecte el cableado. (Figura A)
2. Corte y quite todos los ganchos de montaje de la carcasa del radio EXCEPTO los ganchos "B" y "H". (Figura B)

Continúe con el ensamble del kit



(Figura A)



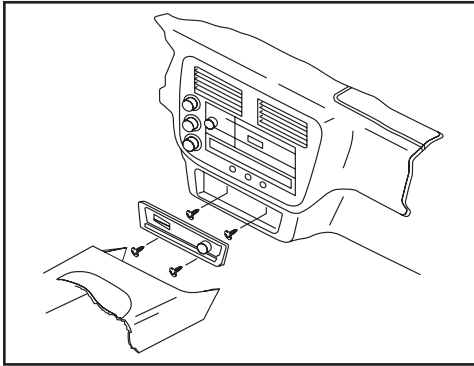
(Figura B)

## Desmontaje tablero

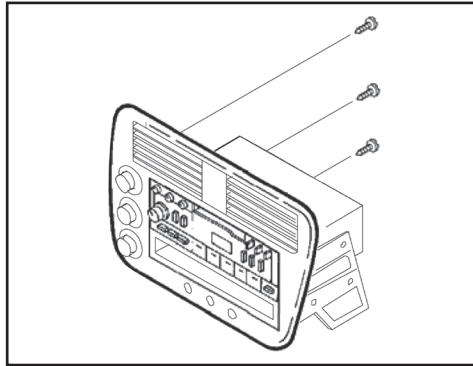
### Honda Civic SE 2005 (solamente)

1. Suelte a presión y retire el anillo de la moldura de alrededor de la palanca de velocidades al piso.
2. Suelte a presión y retire la moldura de alrededor de la palanca de velocidades al piso.
3. Quite los (2) tornillos Phillips de entre el portavasos y la palanca de velocidades. (Figura A)
4. Suelte a presión los lados de la consola, (2 chasquidos por lado), y retire con el ensamble del tomacorriente.
5. Quite los (2) tornillos Phillips debajo del ensamble del radio, orientados hacia arriba. (Figura A)
6. Quite (3) tornillos que sujetan el alojamiento del control de clima a la parte posterior del bisel de la moldura del tablero y el alojamiento. (Figura B)
7. Quite (4) tornillos Phillips de cada lado que sujetan el radio de fábrica al ensamble del soporte y quite el radio.
8. Corte y quite todos los ganchos de montaje de la carcasa del radio, EXCEPTO los ganchos "B" y "H" (the clips can be identified by the stamped letter on the back of the housing, near each clip). (Figura C)

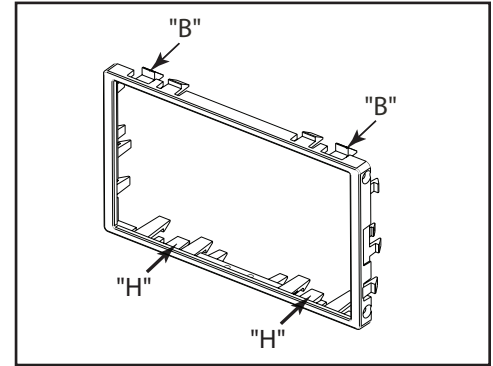
*Continúe con el ensamble del kit*



(Figura A)



(Figura B)



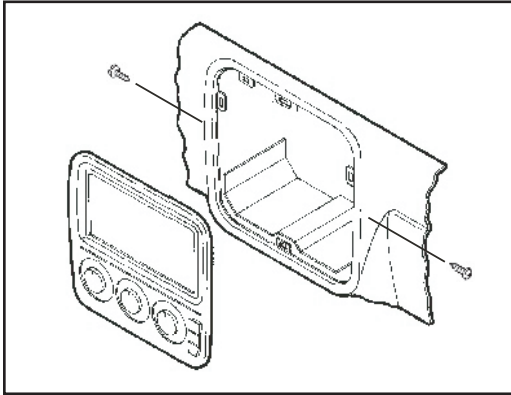
(Figura C)



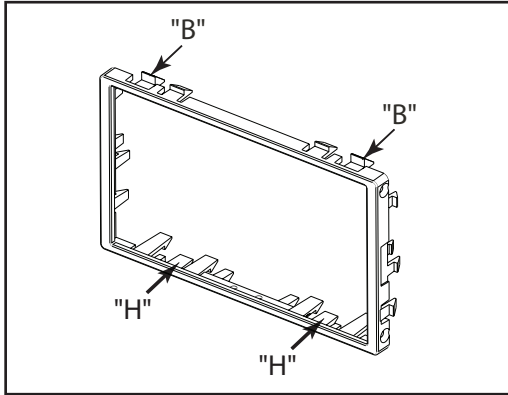
## Desmontaje tablero Honda CR-V 1997-2001

1. Abra la guantera, apriete los ganchos de retención y quite los topes. Baje la guantera y quite (2) tornillos Phillips de la orilla izquierda. Quite los (2) tornillos Phillips del panel de la columna de dirección inferior y quite. Desenganche la cubierta de la consola inferior (debajo del cenicero y la cavidad) y quite. Quite (2) tornillos Phillips de la base de la consola central, abra la cavidad de la consola y quite los (4) tornillos exteriores quedan expuestos. Desenganche la consola central y quítela. Quite los (2) tornillos Phillips que sujetan el bisel de la moldura del radio, desconecte el cableado y quite el ensamble del bisel de la moldura/ radio. Quite los (4) tornillos Phillips que sujetan el radio al bisel y quítelo.. (Figura A)
2. Corte y quite todos los ganchos de montaje de la carcasa del radio EXCEPTO los ganchos "B" y "H" (Figura B, A).

*Continúe con el ensamble del kit*



(Figura A)

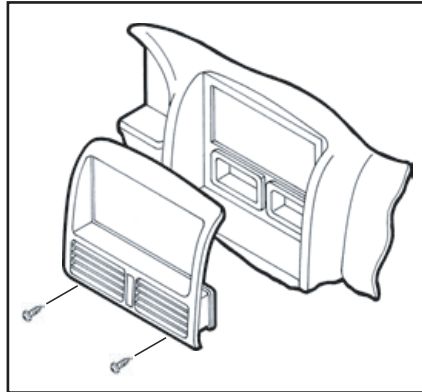


(Figura B)

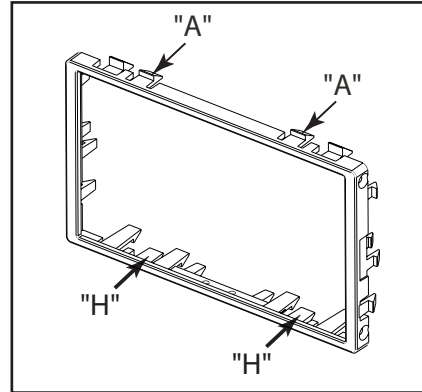
## Desmontaje tablero Honda CR-V 2002-2006

1. Quite los (2) tornillos Phillips del borde inferior del bisel de la moldura del radio. Desenganche el bisel de la moldura y quitelo. Quite los (4) tornillos Phillips que sujetan el radio de fábrica y desconecte el cableado. (Figura A)
2. Corte y quite todos los ganchos de montaje *de la carcasa del radio* EXCEPTO los ganchos "A" y "H". (Figura B)

*Continúe con el ensamble del kit*



(Figura A)



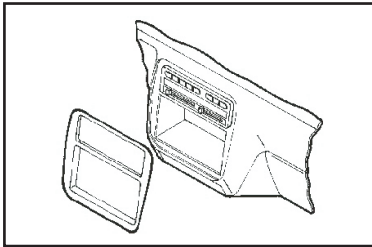
(Figura B)

## Desmontaje tablero

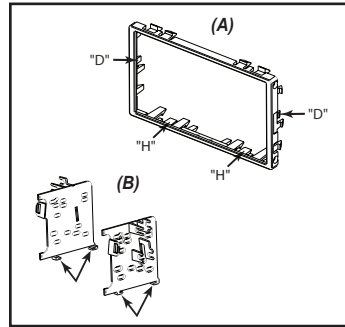
### Honda Odyssey 1995-1998 / Isuzu Oasis 1996-1999

1. Baje el ensamblaje de la guantera. Quite los (2) tornillos Phillips expuestos al lado derecho del sub tablero. Quite los (2) tornillos Phillips del protector de rodillas del lado del conductor y (1) tornillo Phillips de la cavidad de monedas. Quite los (5) tornillos Phillips del panel del sub tablero y quite el panel. Quite (4) tornillos Phillips del ensamblaje del portavasos y quite. Quite los (2) tornillos Phillips que sujetan el radio de fábrica y desconecte el cableado. (Figura A)
2. Corte y quite todos los ganchos de montaje de la carcasa del radio EXCEPTO los ganchos "D" y "H" (Figura B, A). Corte y retire las ranuras en la parte inferior de los soportes ISO (Figura B, B). **Nota:** La bandeja de soporte trasero no será utilizado.

Continúe con el ensamble del kit



(Figura A)



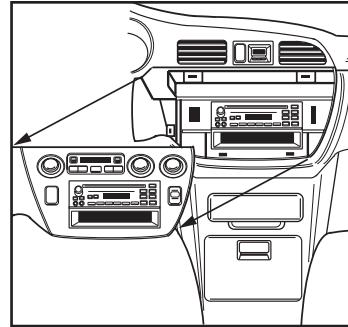
(Figura B)

### Honda Odyssey (sin NAV) 1999-2004

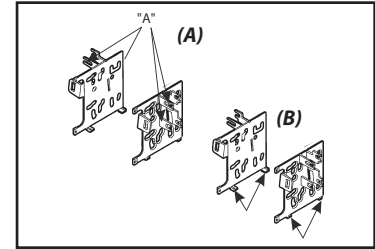
1. Desenganche el bisel de la moldura del radio (incluyendo el panel del control de clima) y quítelo. Quite los (4) tornillos Phillips que sujetan el radio de fábrica y desconecte el cableado. (Figura A)
2. Corte y quite las pestañas "A" para el soportes ISO (los clips pueden ser identificados por la letra estampada en la parte posterior de la carcasa, cerca de cada clip). (Figura B, A). Corte y retire las ranuras en la parte inferior de los soportes ISO (Figura B, B)

**Nota:** La bandeja de soporte trasero no será utilizado.

Continúe con el ensamble del kit



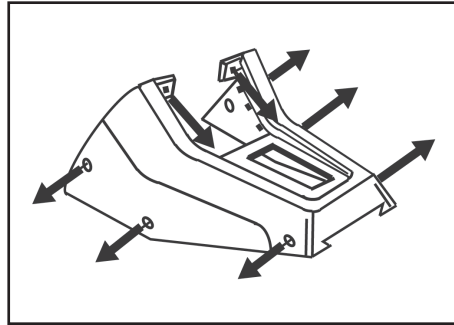
(Figura A)



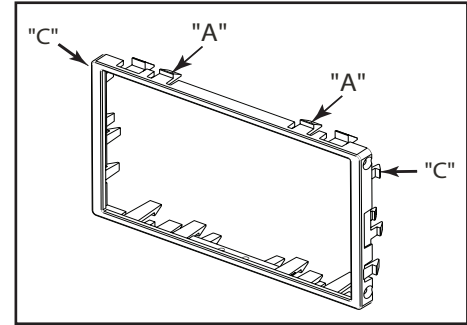
(Figura B)

## Desmontaje tablero Honda Prelude 1988-1991

1. Quite los (2) tornillos Phillips localizados debajo de los controles del clima. (Figura A)
2. Quite (1) tornillo Phillips de cada lado de la consola del tablero y (2) tornillos Phillips de cada lado de la consola del piso. (Figura A)
3. Quite la tapa falsa de plástico del extremo de la consola del tablero y los (2) tornillos Phillips que quedan expuestos. (Figura A)
4. Jale la consola de piso hacia fuera y retire suavemente la consola del tablero.
5. Quite los (6) tornillos Phillips que sujetan el radio de fábrica y desconecte el cableado.
6. Corte y quite todos los ganchos de montaje de la carcasa del radio EXCEPTO los ganchos "A" y "C" (los ganchos pueden identificarse por la letra estampada cerca de cada gancho). (Figura B)



(Figura A)



(Figura B)

*Continúe con el ensamble del kit*

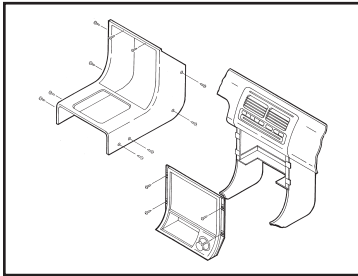
## Desmontaje tablero

### Honda Prelude 1992-1996

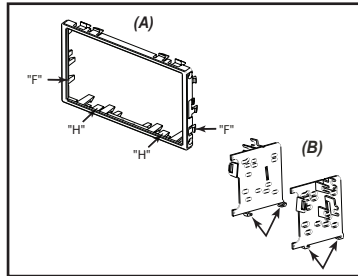
1. Quite los (2) tornillos de la parte superior del bisel de la moldura de la consola. Deslice los asientos delanteros y quite los (4) tornillos Phillips de cada lado del bisel. Jale hacia arriba el bisel de la moldura de la consola y quítelo. Con el destornillador inclinado, quite los (2) tornillos que sujetan el soporte de la palanca de velocidades al bisel. Quite los (4) tornillos del bisel de la moldura del radio, quite el ensamblaje del radio de fábrica y desconecte el cableado. (Figura A)
2. Corte y retire las pestañas de montaje de la parte inferior de la bandeja de soporte trasero (Figura B, A). Corte y quite todos los ganchos de montaje de la carcasa del radio EXCEPTO los ganchos "F" y "H" (Figura B, B). Corte y retire las ranuras en la parte inferior de los soportes ISO (Figura B, C).

**Nota:** La bandeja de soporte trasero no será utilizado.

Continúe con el ensamble del kit



(Figura A)

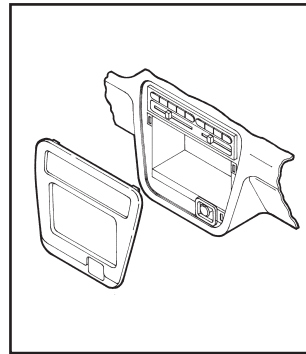


(Figura B)

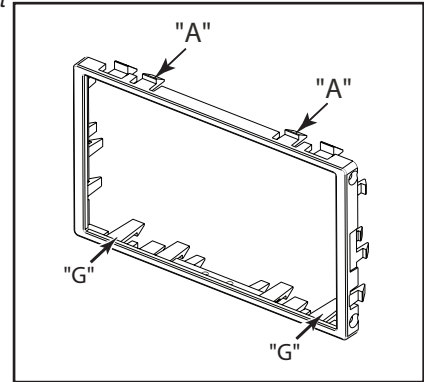
### Honda Prelude 1997-2001

1. Con una herramienta de remoción de paneles, desenganche el bisel de la moldura del radio y quítelo (puede requerirse un poco de fuerza). Quite los (4) tornillos Phillips que sujetan el ensamblaje del radio de fábrica/carcasa del soporte y desconecte el cableado. Quite los (4) tornillos Phillips que sujetan el radio de fábrica al soporte y quítelo. (Figura A)
2. Corte y quite todos los ganchos de montaje de la carcasa del radio EXCEPTO los ganchos "A" y "G". (Figura B)

Continúe con el ensamble del kit



(Figura A)



(Figura B)

## Ensamble del kit

**Atención:** Utilice los siguientes pasos para los siguientes vehículos: Honda CR-V 1997-2001, Honda Prelude 1997-2001, Honda Civic 1999-2000. Para el resto de vehículos vaya a la sección de montaje próxima kit.

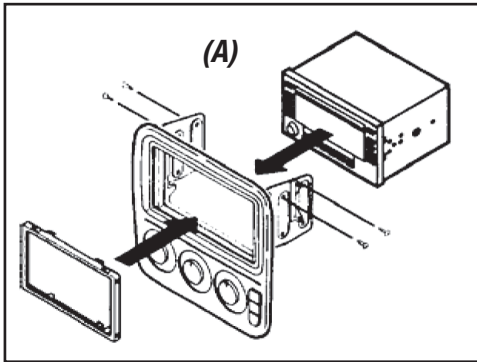
### Provisión de radio ISO DDIN

1. Deslice el radio en el conjunto de soporte de fábrica.
2. Alinee los orificios del radio con los orificios de *los soportes*, y luego monte con los tornillos suministrados con el radio.
3. Corte y retire la costilla de división de la *carcasa de la radio*, y luego que encaje en la abertura de la radio de corte bisel de fábrica.
4. Localice el arnés de cableado de fábrica y el conector de la antena en el tablero y haga todas las conexiones necesarias al radio. Metra recomienda que use adaptadores adecuados de acoplamiento de Metra y/o de AXCESS. Vuelva a conectar la terminal negativa de la batería y pruebe el radio para verificar que funcione correctamente.
5. Vuelva a armar el tablero al revés de como lo desarmó.

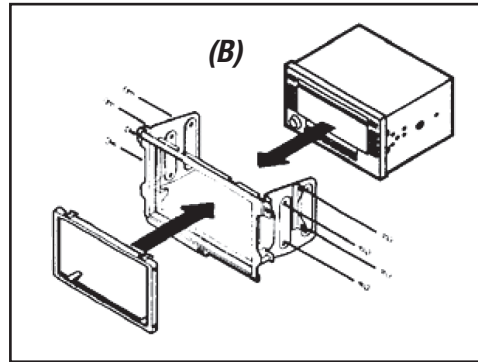
(Figura A Honda CR-V 1997-2001)

(Figura B Honda Prelude 1997-2001)

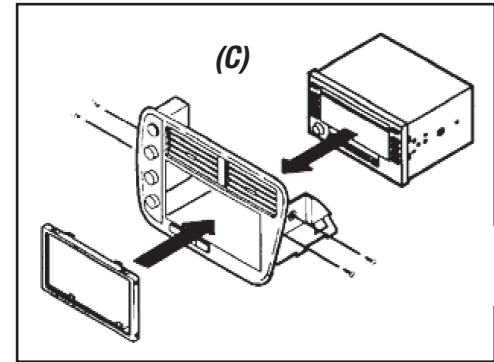
(Figura C Honda Civic 1999-2000)



(Figura A)



(Figura B)



(Figura C)

## Ensamble del kit

### Provisión de radio ISO DDIN

1. Corte y retire la costilla de división de la apertura de radio.
2. Alinee los orificios en los soportes ISO con los orificios en la radio, y luego sujételo utilizando los tornillos que vienen con el radio. (Figura A)
3. Deslice *bandeja de soporte trasero* bajo la radio, posicionar la *carcasa de radio* por la radio, y luego asegurar el conjunto de los soportes ISO con (4) tornillos Phillips #6 x 1/4" suministrados. (Figura A)
4. Sujete la *bandeja de soporte trasero* con (2) tornillos Phillips #6 x 1/4" suministrados. (Figura A)
5. Localice el arnés de cableado de fábrica y el conector de la antena en el tablero y haga todas las conexiones necesarias al radio. Metra recomienda que use adaptadores adecuados de acoplamiento de Metra y/o de AXXESS. Vuelva a conectar la terminal negativa de la batería y pruebe el radio para verificar que funcione correctamente.
6. **(a) Honda Accord 1994-1997, Acura CL 1997-1999:**

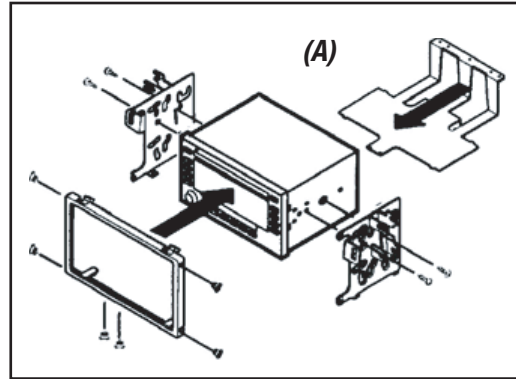
1. Montar el conjunto completo en la cavidad de radio con los (2) tornillos que retiró anteriormente en el desmontaje de instrumentos.
2. Vuelva a armar el tablero al revés de como lo desarmó.

#### **(b) Honda Accord 1998-2002, Honda Odyssey (sin NAV) 1999-2004:**

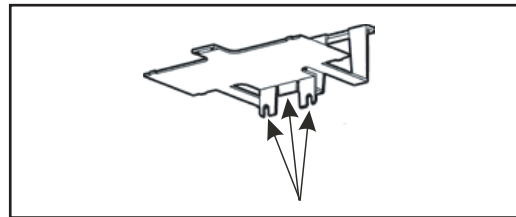
1. Montar el conjunto completo en la cavidad de radio con los (2) tornillos que retiró anteriormente en el desmontaje de instrumentos.
2. Vuelva a armar el tablero al revés de como lo desarmó.

#### **(c) Para todas las demás aplicaciones:**

1. Corte y retire todas las pestañas de montaje en los *soportes ISO*.
2. Corte y retire las pestañas de montaje de la parte inferior de la bandeja de soporte trasero. (Figura B).
3. Vuelva a armar el tablero al revés de como lo desarmó.
4. Coloque a presión el ensamble en la cavidad de radio.



(Figura A)



(Figura B)



## Instrucciones de instalación para la pieza 95-7801



### IMPORTANTE

Si tiene dificultades con la instalación de este producto, llame a nuestra línea de soporte técnico al **1-800-253-TECH**. Antes de hacerlo, revise las instrucciones por segunda vez y asegúrese de que la instalación se haya realizado exactamente como se indica en las instrucciones. Por favor tenga el vehículo desarmado y listo para ejecutar los pasos de resolución de problemas antes de llamar.



#### EL CONOCIMIENTO ES PODER

Mejore sus habilidades de instalación y fabricación inscribiéndose en la escuela de dispositivos electrónicos móviles más reconocida y respetada de nuestra industria. Regístrese en [www.installerinstitute.com](http://www.installerinstitute.com) o llame al 800-354-6782 para obtener más información y avance hacia un futuro mejor.



**Metra recomienda técnicos con certificación del Programa de Certificación en Electrónica Móvil (Mobile Electronics Certification Program, MECP).**