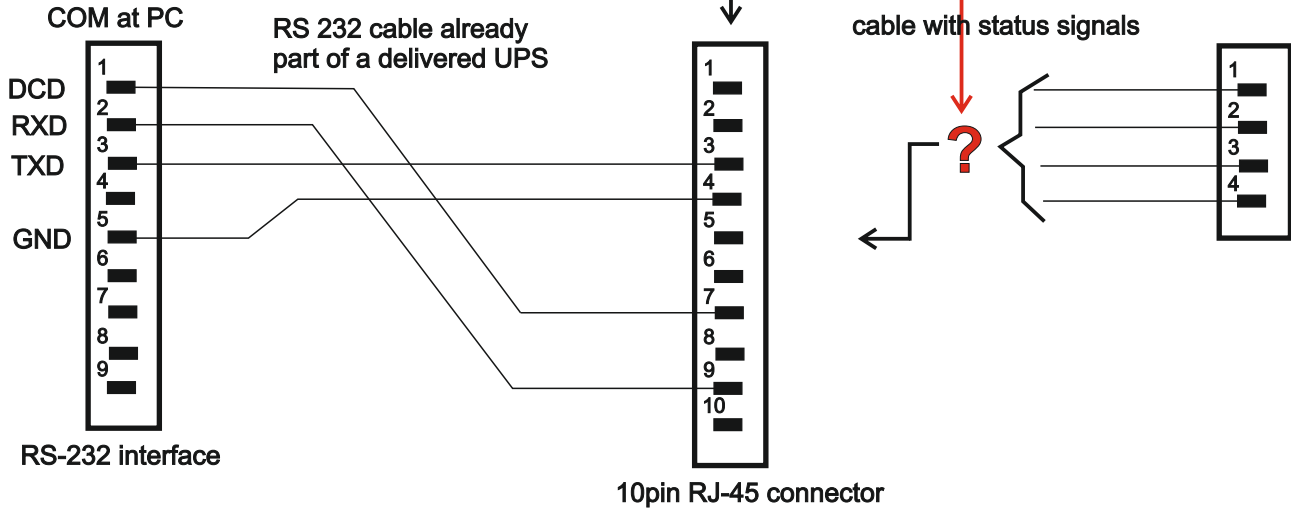


SMT 750i

new version



I need the pin assignment of Rj45 connector



SUA 750i

old version
no longer available

