

Adjustable Keyboard Tray

AKT180LE  25%[†]

Position your keyboard and mouse in their ergonomically correct position to enhance comfort and productivity. The Easy Adjust System and wide range of arm height positions allows you to move between sitting and standing positions,** providing optimal ergonomic benefit and helping avoid repetitive stress injuries.



- For workstations where mounting depth is greater than 23.25"
- Compatible with corner workstations
- Lifetime warranty on keyboard tray
- 1 year warranty on wrist rests



23 INCH TRACK
Long arm and track enable compatibility in corner workstations

HEIGHT INDICATOR

3M™ PRECISE™ BATTERY SAVING MOUSING SURFACE†

Extends battery life of wireless optical mice up to 75%

ADJUSTABLE MOUSE PLATFORM

Platform can adjust left and right or tilt forward and back to fine tune the exact position of the mouse

GEL WRIST RESTS WITH ANTIMICROBIAL PRODUCT PROTECTION*

Add comfort by minimizing pressure points

3M™ DUAL LOCK™ ATTACHMENT SYSTEM

Holds wrist rest in place and allows for easy removal for repositioning or replacement

EASY ADJUST SIT/STAND ARM

Quickly switch between sitting and standing positions without adjusting levers or knobs. Arm raises platform up to 10" above the mounting surface.

ADJUSTABLE KEYBOARD PLATFORM

Platform can adjust left and right to fine tune the exact position of the keyboard

***Antimicrobial Product Protection**

Gel-filled wrist rests with antimicrobial protection inhibits the growth of microorganisms, such as bacteria, on the product surface, that can cause stains, odors and product degradation.

**†See back for detailed information





23" Track / Easy Adjust Sit/Stand Arm

KP200LE Adjustable Platform
for keyboard and mouse

Platform Type	Adjustable platforms for keyboard and mouse
Arm Type	Sit/Stand Easy Adjust
Accepts Second Mouse Platform (sold separately)	Yes
Tilt Range Forward/Backward	+10°/-15°
Swivel Range	360°
Track Length Inches (mm)	23 (584)
Max Height Above Mounting Surface Inches (mm)	10 (254)
Max Depth Below Mounting Surface Inches (mm)	4 (102)
Required Width Below Mounting Surface Inches (mm)	24 (610)
Required Depth Below Mounting Surface Inches (mm)	23.25 (591)
Fits Corner Workstation	Yes
Warranty Years	Lifetime, 1 year on wrist rests

Adjusting



Adjustable keyboard platform can move left and right to fine tune the exact position of the keyboard



Platform slides left and right over the keyboard



Tilt adjusts with knob



Great for situations where there is an obstruction beneath the work surface, forcing the track to be mounted off-center from its ideal location – simply loosen red knob and adjust



Features tilt and height indicators – tilt adjusts by turning knob to dial in desired angle

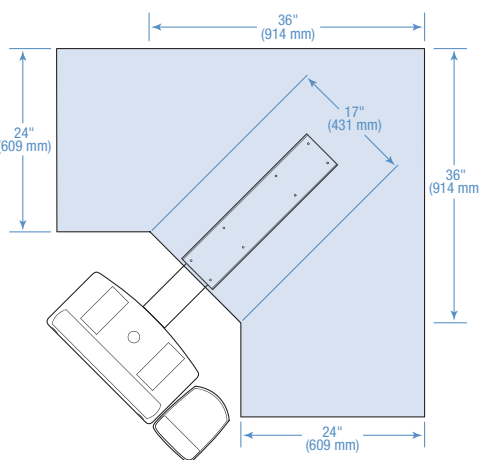
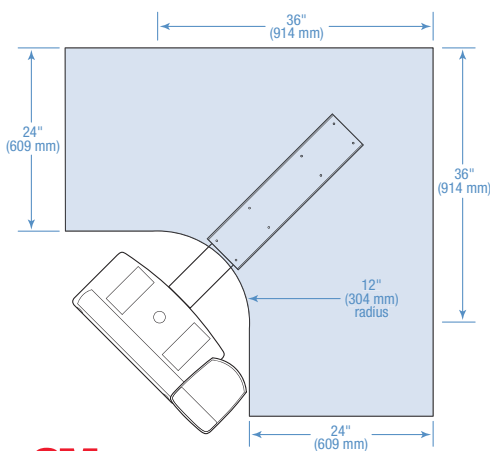


Lever-free lift and lock adjustment for height

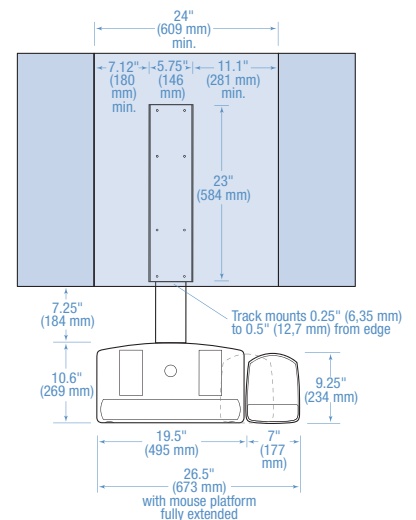


Compatible with Ergonomic Keyboards – use 3M™ WR314LE Wrist Rest (sold separately) in place of wrist rest included with AKT

Installation Guidelines



Dimensions



**Office Supplies Division
Workspace Solutions Business**
3M Center
St. Paul, MN 55144-1000
800-332-7483
www.3m.com/ergo

*Easy Adjust System

Range of arm position provides true sit/stand options for the 5th to 95th percentile of the US population.

*Battery Saving Mousepad Designs

Products identified by this symbol feature 3M™ Precise™ Optical Mousing Surfaces with battery saving designs which extend the battery life of wireless optical mice up to 75%. Our lab testing has shown that these surfaces draw less current and thus offer 75% more battery life. The lab tests were done using mice from the leading manufacturers in the marketplace (Microsoft and Logitech) in conjunction with batteries from the leading battery manufacturers in the US (Energiizer, Duracell and Rayovac). Our battery saving mousing surfaces feature the 3M micro-textured technology used to make 3M™ Precise™ Optical Mousing Surfaces.

*The ♻️ and corresponding number indicates the percentage of preconsumer recycled content by volume.

Please recycle. Printed in U.S.A. 3M, Dual Lock and Precise are trademarks of 3M. © 3M 2009

70-0714-3250-7

7163SA032609KF