

## IPS LED Monitor with Flicker-Safe and Reader Mode

▶ **27MC37HQ-B**

27" class (27" diagonal)

▶ **27MP37VQ-B**

27" class (27" diagonal)



### Features

#### FLICKER-SAFE

- Eye fatigue is a major concern when working overtime on the computer. LG's Almost-Zero Flicker Free technology, allows the ability to work longer and more comfortably without straining the eyes.

#### READER MODE

- With a touch of a button, Reader Mode allows the reduction of blue light emissions that can be harmful to the eyes.

#### COLOR WIZARD

- Improves vision impaired viewers to adjust the RED and GREEN levels accordingly to easily distinguish colors.

### Specifications

Native Display Resolution 1920 x 1080

High Brightness 200 cd/m<sup>2</sup>

Viewing Angle 178 x 178

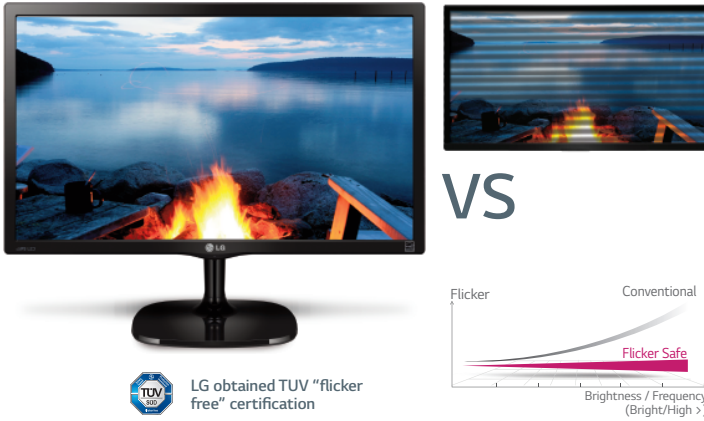
Tilt -5° (front) 20° (rear)

Vesa™ Compliant Wall Mountable

3-Year Limited Warranty Parts/Labor/Backlight

**Flicker SAFE** FLICKER-SAFE

LG's Flicker-Safe technology protects users' eyes from fatigue by reducing flickering to almost zero.



LG obtained TUV "flicker free" certification

**Reader Mode**

With a touch of a button, Reader Mode allows the reduction of blue light emissions that can be harmful to the eyes.



**DUAL** Smart Solution

**DUAL SMART SOLUTIONS**

LG's Dual Smart Solution is a function that allows the set-up of dual monitors, dual taskbars, and a split-screen function called dual web.



**Smart Energy Saving**

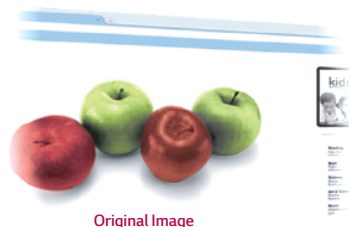
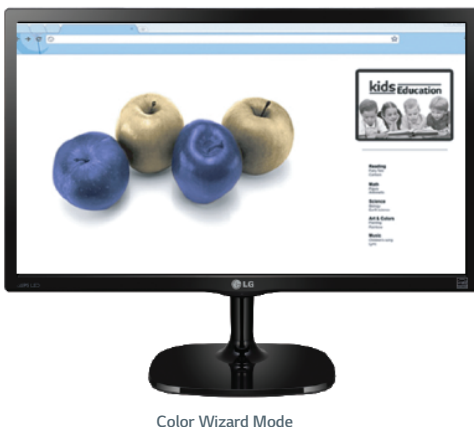
**SMART ENERGY SAVING**

LG's Smart Energy Saving Mode reduces power consumption without lowering the brightness of the monitor.



**Color Wizard** COLOR WIZARD

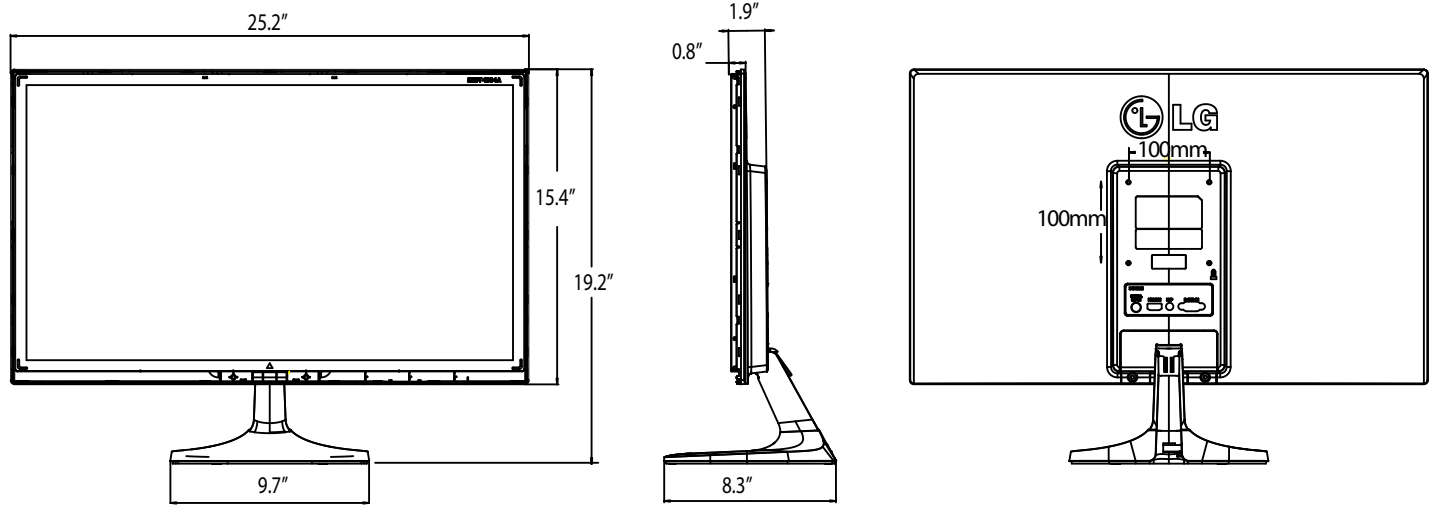
Improves the vision impaired viewing experience by adjusting the RED and GREEN levels accordingly to easily distinguish colors.



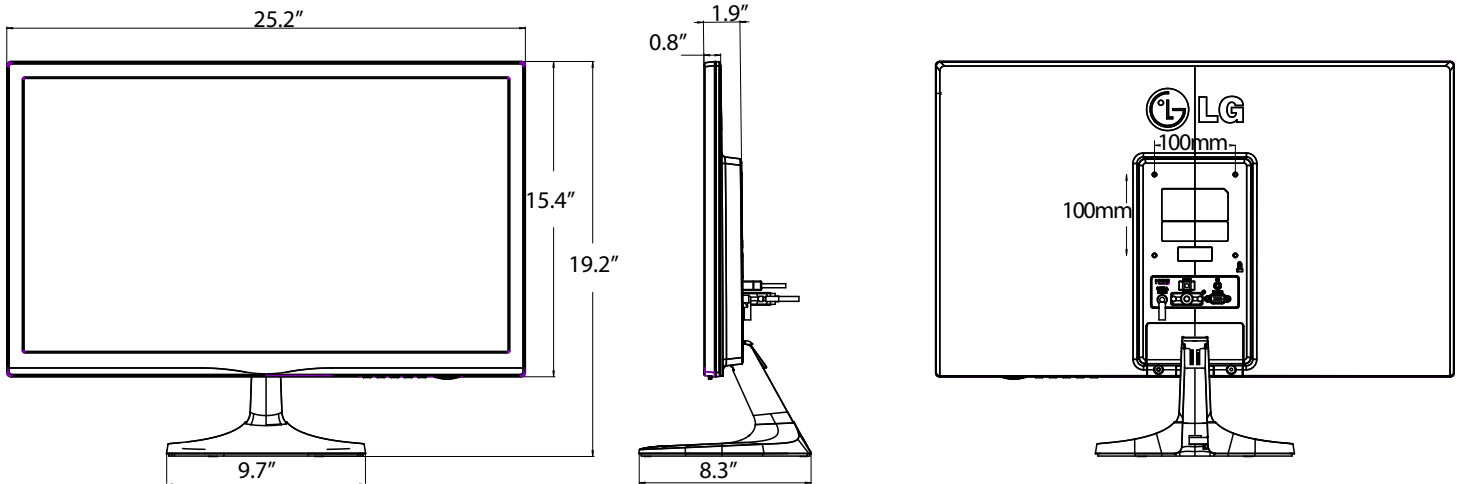
VS



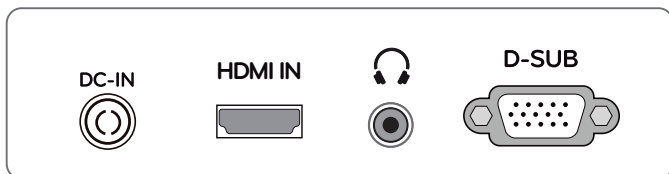
27MC37HQ-B



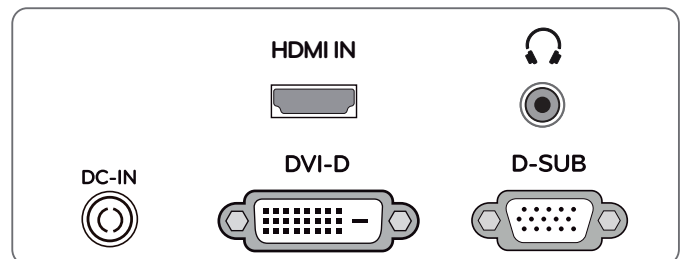
27MP37VQ-B



Rear Jack Pack | 27MC37HQ-B



Rear Jack Pack | 27MP37VQ-B



# IPS LED Monitor

## with Flicker-Safe and Reader Mode

▶ 27MC37HQ-B

27" class (27" diagonal)

▶ 27MP37VQ-B

27" class (27" diagonal)

PANEL	MODEL	27MC37HQ-B	27MP37VQ-B
	Size	27" class (27" diagonal)	
	Panel Type	IPS	
	Color Gamut (CIE1976)	68%	
	Color Depth (Number of Colors)	16.7M colors	
	Pixel pitch (mm)	0.3114 x 0.3114	
	Aspect Ratio	16:9	
	Resolution	1920 x 1080	
	Brightness (Typ.)	200cd/m <sup>2</sup>	
	Contrast Ratio (Original)	1000:1	
	DFC	5M:1	
	GTG	5ms (High 5ms, Middle 7ms, Low 9ms, off 14ms)	
	Viewing Angle (CR≥10)	178/178	
	Surface Treatment	Anti glare ,3H	
SIGNAL INPUT	D-Sub	Yes	
	HDMI	Yes (Version : 1.3)	
	DVI-D	No	Yes
	Jack Location	Back	
AUDIO OUTPUT	Headphone Out	Yes	
	Jack Location	Back	
POWER	Type	Adapter	
	Input	100 ~ 240Vac, 50/60Hz	
	Normal On (EPA)	27W	
	Normal On (typ.)	31W	32W
	Sleep Mode (Max)	0.3W	
	DC Off (Max)	0.3W	
FREQUENCY	D-Sub H-Frequency	30 ~ 83kHz	
	D-Sub V-Frequency	56 ~ 75Hz	
	DVI-D H-Frequency	No	30 ~ 83kHz
	DVI-D V-Frequency	No	56 ~ 75Hz
	HDMI H-Frequency	30 ~ 83kHz	30 ~ 83kHz
	HDMI V-Frequency	56 ~ 61Hz	
RESOLUTION	D-sub	1920 x 1080	
	Digital (DVI-D / HDMI)	1920 x 1080	
	Video HDMI	1080P	
CONTROL KEY	Key Number (Power Key Included)	6	
	Key Type	Tact Type	
	LED Color (On Mode)	White	
	LED Color (Power Save Mode)	White Blinking	
	Key Location	Bottom	
LANGUAGES	English, Germanic, French, Spanish, Italian, Swedish, Finnish, Portuguese, Polish, Russian, Greek, Chinese, Japanese, Korean, Ukrainian, Portuguese(brazil), Hindi		

SPECIAL FEATURES	MODEL	27MC37HQ-B	27MP37VQ-B
Picture Mode		Yes (Custom, Text, Photo, Cinema, Game)	
Reader Mode		Yes	
Original Ratio		Yes	
DDC/CI		Yes	
HDCP		Yes (Version : 1.4)	
Intelligent Auto (Auto Adjustment)		Yes	
Key Lock		Yes	
Plug & Play		Yes	
Response Time Control		Yes	
Color Wizard		Yes	
Dual Smart Solution		Yes (Dual web, Dual Display, Smart Resolution)	
Flicker Safe		Yes	
Automatic Standby		Yes	
Six Axis Control		Yes	
Smart Energy Saving		Yes	
CABINET	Front	Black Hairline	
	Back Cover	Black Texture	
	Stand	Black High Glossy	Black Texture
	Base	Black Hairline	
	Base Detachable	Yes	
	Tilt (Angle)	Yes -5° (Front) ~ 20° (Rear)	
	Monitor (with Stand)	25.2" x 8.3" x 19.2"	
	Monitor (without Stand)	25.2" x 1.9" x 15.4"	
	Packaging	28.0" x 5.2" x 18.4"	
	Wall Mount Size	100mm x 100mm	
STANDARD CERTIFICATION	Monitor (with Stand)	10.6 lbs	
	Monitor (without Stand)	9.9 lbs	
	Packaging	13.0 lbs	
	UL(cUL)	Yes	
	TUV-TYPE	Yes	
	FCC-B, CE	Yes	
	EPA 6.0	Yes	
	ErP	Yes	
	EPEAT	Yes (Gold)	
	Windows®	Yes (Windows 8)	
ACCESSORIES	Power Cord	Yes	
	D-Sub	Yes	
	DVI-D	No	Yes
WARRANTY	3-Year Limited Warranty Parts/Labor/Backlight		
UPC		7 19192 19651 3	7 19192 19577 6



LG Electronics U.S.A., Inc.  
HE B2B Division  
2000 Millbrook Drive  
Lincolnshire, IL 60069

Customer Service: 888.865.3026  
www.LGSolutions.com/support

Contact your LG Regional Sales Representative:  
Channel: 800.897.8871  
Hospitality: 800.228.1236  
E-mail: info@LGSolutions.com

LG\_SPEC\_27MC37HQ\_27MP37VQ\_021515\_PR1



All screen images are simulated. Dimensions and weights are approximate. Design, specifications, and features subject to change without notice.

© Copyright 2015 LG Electronics USA, Inc. All Rights Reserved. "LG Life's Good" is a registered trademark of LG Corp.

ENERGY STAR is a registered trademark of the U.S. Environmental Protection Agency. In Plane Switching is a trademark of LG Philips LCD Ltd. VESA is a trademark of Video Electronics Standards Association. HDMI, the HDMI logo and High-Definition Multimedia Interface are trademarks or registered trademarks of HDMI Licensing LLC.

All other product and brand names are trademarks or registered trademarks of their respective companies.

Printed in the USA. March 2015