

92201/3 / 92301/3 / 92401/3

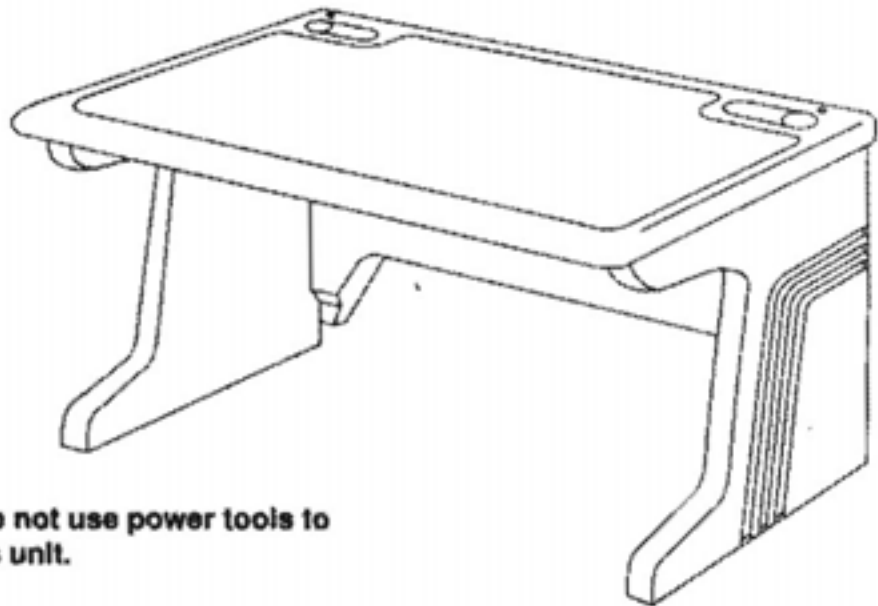
INSTRUCTIONS

Aspira™ Series

92201/3 34" (86 cm) Desk

92301/3 48" (122 cm) Desk

92401/3 60" (152 cm) Desk

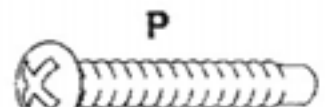
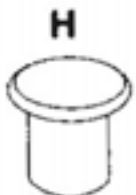


CAUTION: Do not use power tools to assemble this unit.

Note: Before you begin assembly, check the parts list carefully to ensure that all components are in the box. Before installing the top on the workstation, install the corner connector and/or CPU holder and/or privacy panel you may have.

PARTS LIST

	Quantity	Description		Quantity	Description
A	1	Top	K	6	Cap
B	1	Modesty Panel	L	6	Retainer
C	1	Leg, Left	M	1	Cable Extrusion
D	1	Leg, Right	N*	3	Screw, #8x1/2
E	1	Inlay	O	4	Screw, 1/4x2
F	2	Tube	P	6	Screw, 1/4-20x2
H	1	Hardware Bag	Q	1	Inlay Pad
I	2	Hole Plug			
J	2	Cable Grommet			
		Accessory Cap			



* Only 2 required on 34" desk (92201/3)

1.

Attach the cable extrusion (M) to the inside of the modesty panel (B) using screws (N).

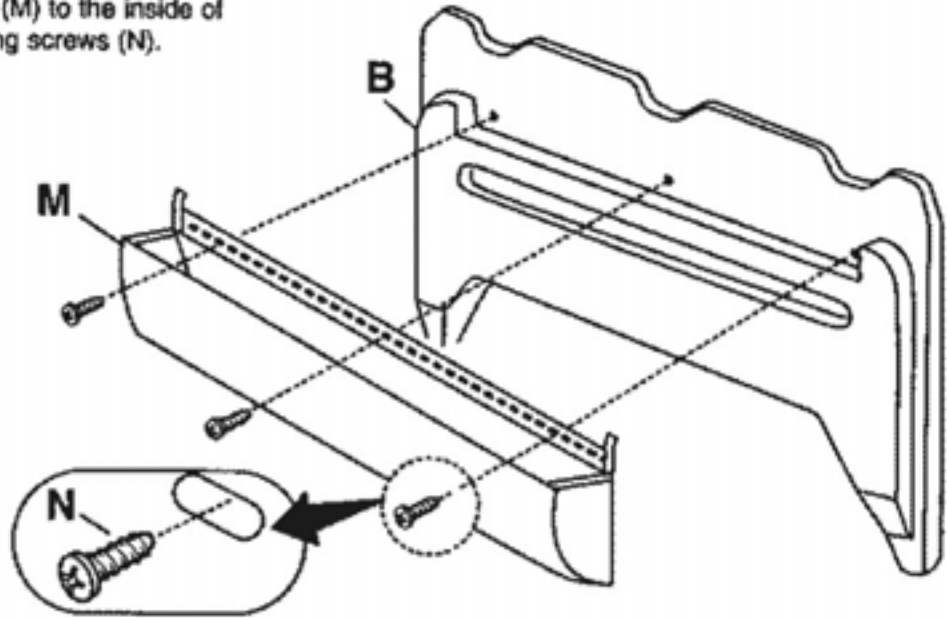


Figure 1.

2.

Use six (6) large screws (P) and six (6) retainers (L) to install the modesty panel (B) to the legs (C, D) (Figure 2). Do not over-tighten screws. Then install six caps (K).

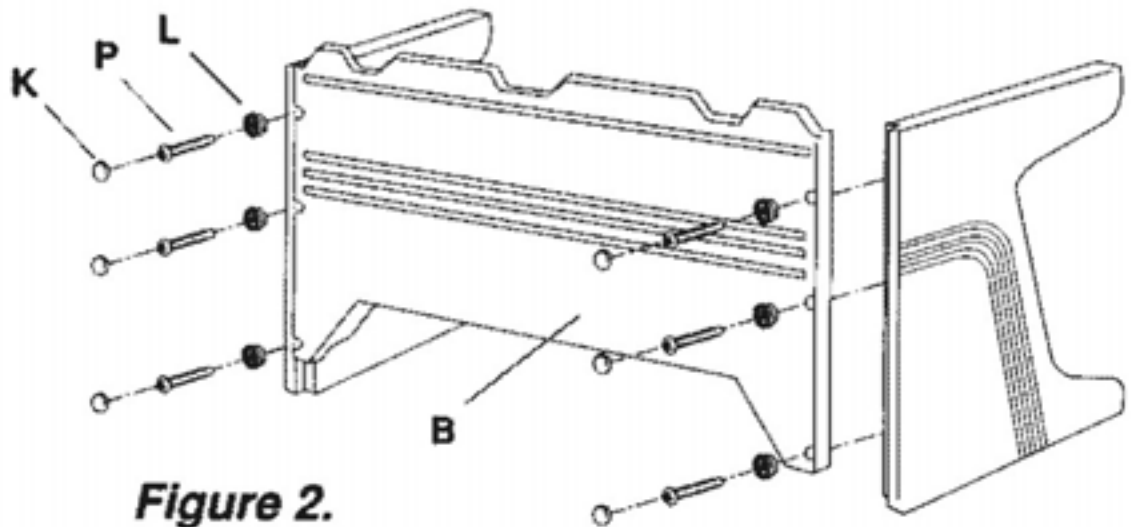


Figure 2.

3.

Note: If you are installing a corner connector or CPU holder or a privacy panel, install it before proceeding. Hold the steel tubes (F) on the underside of the top (A) to prevent it from falling out, and lower top (A) into place (Figure 3).

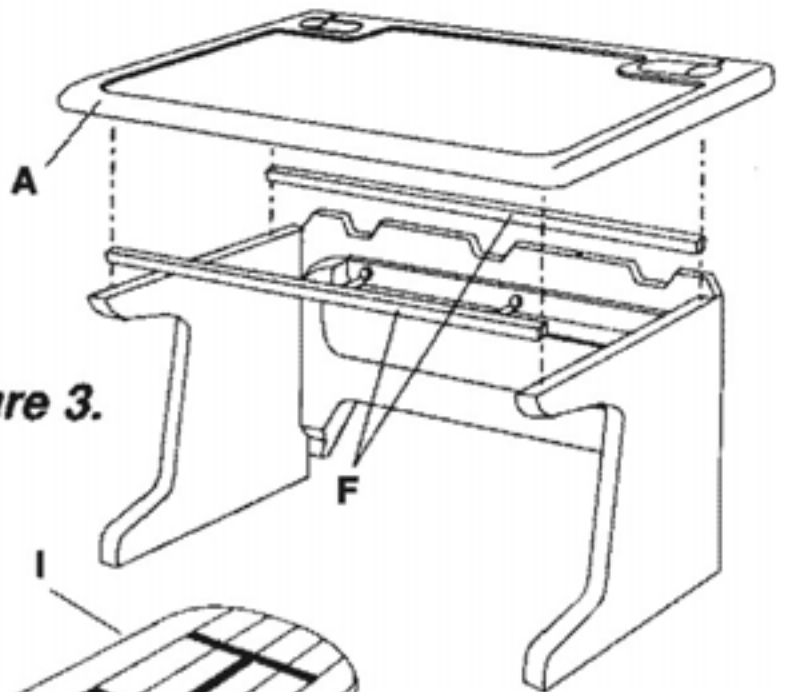


Figure 3.

4.

Carefully separate hole plugs (H) from cable grommets (I) by cutting apart (Figure 4).

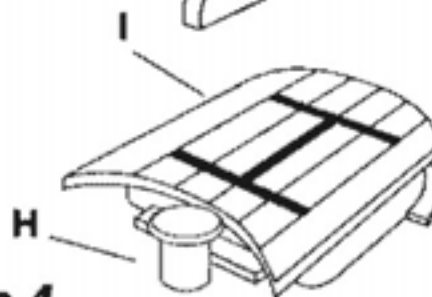


Figure 4.

5.

Use four (4) screws (O) to install top. Install cable grommets (I) and hole plugs (H) by firmly pushing into top. Install accessory caps (J) by dropping into place (Figure 5).

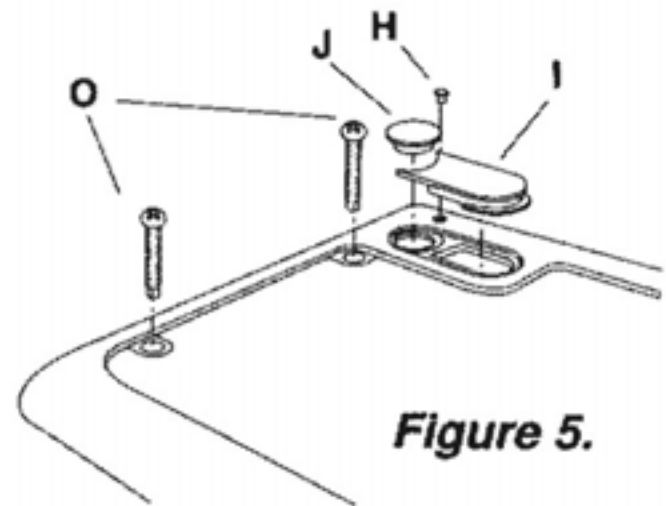


Figure 5.

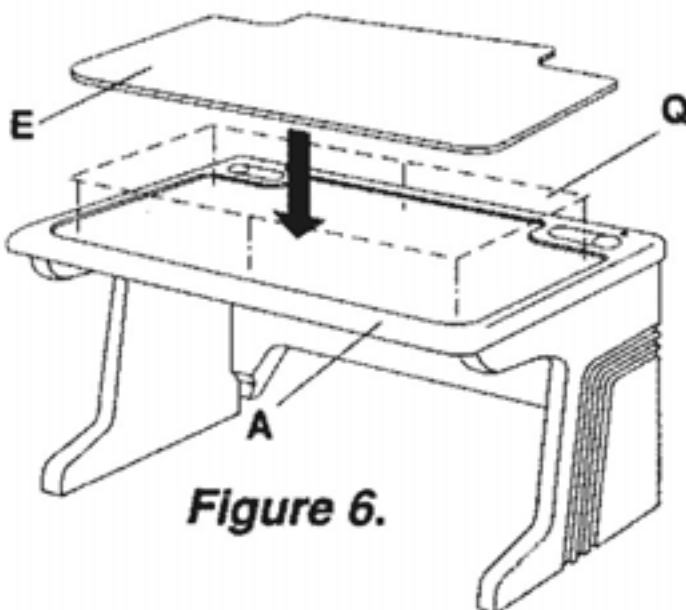


Figure 6.

6.

Place inlay pad (Q) on the top (A). Next, place inlay (E) on top of inlay pad (Q) either side up (Figure 6).

Iceberg Enterprises, LLC

310 Windy Point Drive
Glendale Heights, IL 60139

Printed in U.S.A.



ICEBERG