



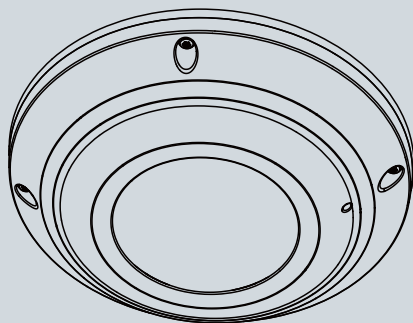
FE8174V Fixed Dome
Network Camera

Quick Installation Guide

English | 繁體中文 | 簡體中文 | 日本語 | Français | Español | Deutsch | Português | Italiano | Türkçe | Polski | Русский | Česky | Svenska | Dutch

Dansk | Indonesia | العربية

5MP • 360° Surround View • Vandal-proof • PoE



SUPREME

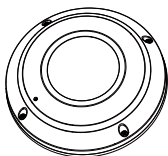


Warning Before Installation

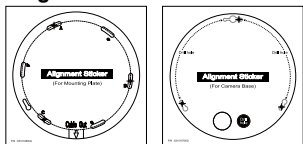
- Power off the Network Camera as soon as smoke or unusual odors are detected.
- Do not place the Network Camera on unsteady surfaces.
- Do not insert sharp or tiny objects into the Network Camera.
- Refer to your user's manual for the operating temperature.
- Do not touch the Network Camera during a lightning storm.
- Do not drop the Network Camera.

1 Package Contents

● FE8174V



● Alignment Stickers



For Mounting Plate For Camera Base

● Quick Installation Guide

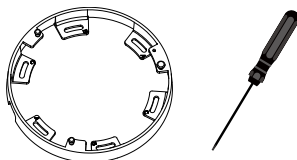


● Power & I/O Cables



(Sold Separately in US & Canada)

● Mounting Plate / Screwdriver



● Screws / Desiccant Bag / Double-sided Tape / Rubber Seal Plug / Rubber Washer

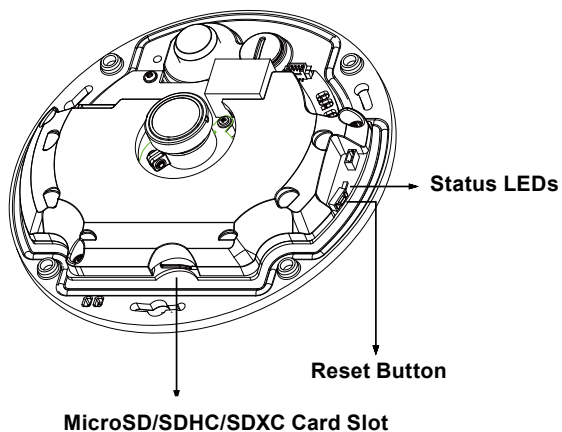
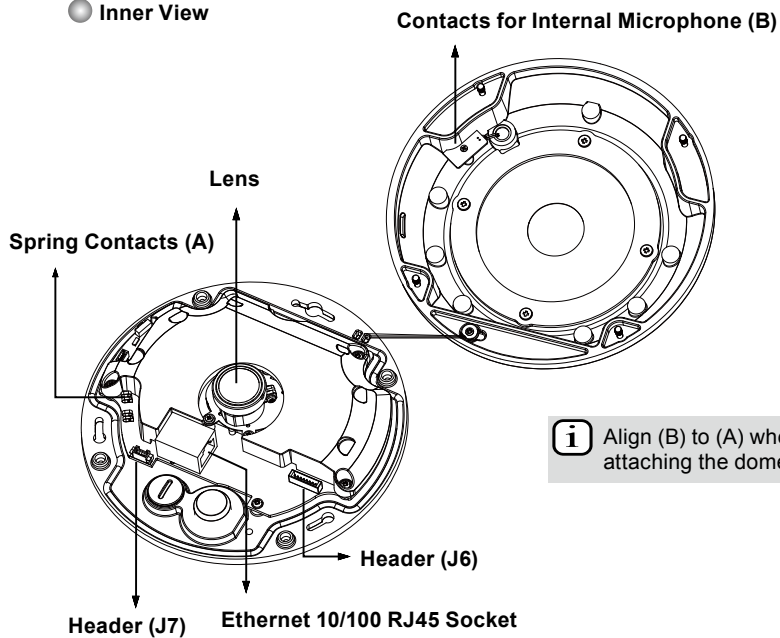


● Software CD

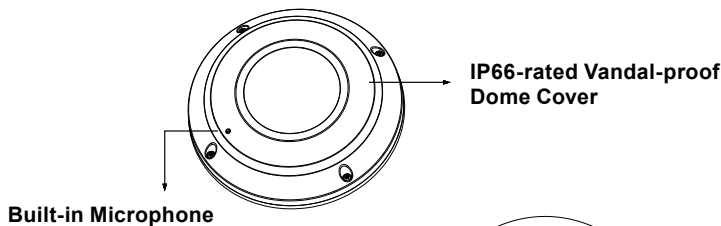


2 Physical Description

● Inner View

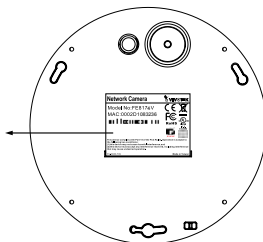


Outer View



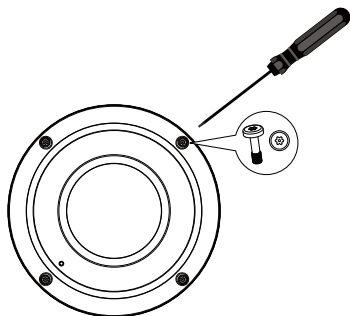
IMPORTANT:

Record the MAC address under the camera base before installing the camera.



3 Hardware Installation

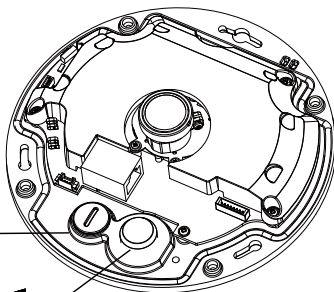
First, use the supplied screwdriver to loosen the four screws and detach the dome cover from the camera base. Then, follow the steps below to install the camera to either a ceiling or a wall.



Remove the stoppers and route cables through the openings.

Rubber Stopper on the hole for Power & IO Cables

Rubber Seal Plug on the hole for RJ45 Ethernet Cable



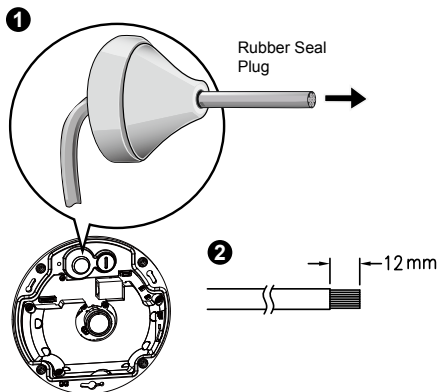
Connecting RJ45 Ethernet Cable

● RJ45 Cable Dimension (unit: mm)

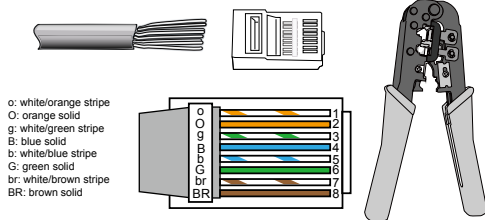
Recommended cable gauge: 24AWG (0.51 mm)

● Assembly Steps

1. Drill a hole on the rubber seal plug and insert an Ethernet cable through the opening.
2. Strip part of the sheath from the Ethernet cable.

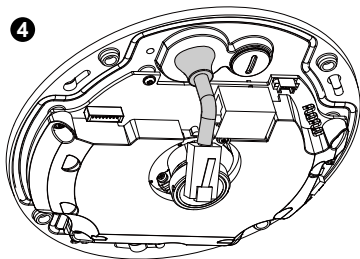


3



3. You will need an RJ45 crimping tool to attach the Ethernet wires to a connector. When done, connect the cable to the camera's Ethernet RJ45 socket.

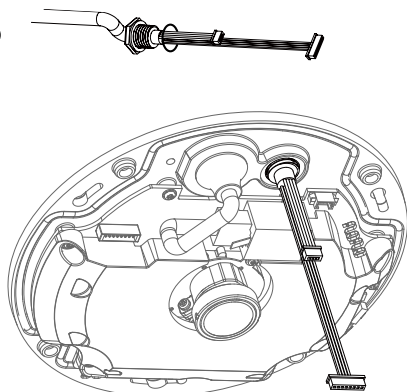
4



4. Feed the Ethernet cable from the bottom of the camera and through the hole. Attach the rubber seal plug for water proofing.

1

2



Connecting DC Power Cable

1. Add the supplied rubber washer to the cable as shown in the picture.
2. Feed the cable from the bottom of the camera and tighten the plastic base for waterproofing.



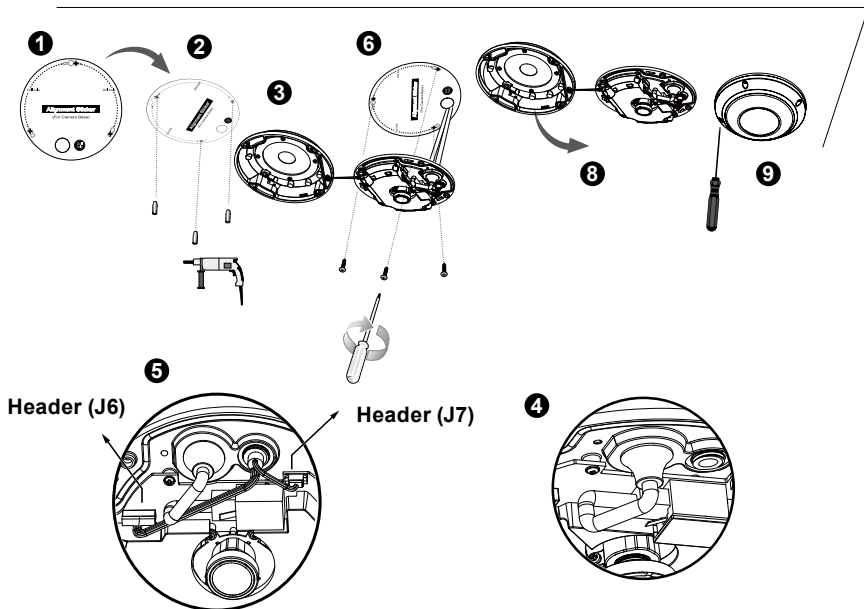
NOTE:

Connect the supplied power & IO cables if your switch does not support PoE.

Ceiling/Wall Mount without Mounting Plate

(Choose this mounting type if you want to feed the cables form the bottom of the camera)

1. Attach the supplied alignment sticker for camera base to the ceiling/wall.
2. Using the three circles on the sticker, drill three pilot holes into the ceiling. Then hammer the three supplied plastic anchors into the holes.
3. Drill a cable hole on the ceiling/wall, and feed the cables through the hole.
4. Connect the Ethernet cable to the socket.
5. Connect the two white header connectors to the J6 and J7 connectors.
6. Secure the camera base to the ceiling/wall with three supplied screws.
7. You will find a dessicant bag attached to the camera. Replace the dessicant bag included in the camera with the one shipped within the accessory bag.
8. Attach the dome cover.
9. Secure the four screws with the supplied stardriver. Make sure all camera parts are securely installed.



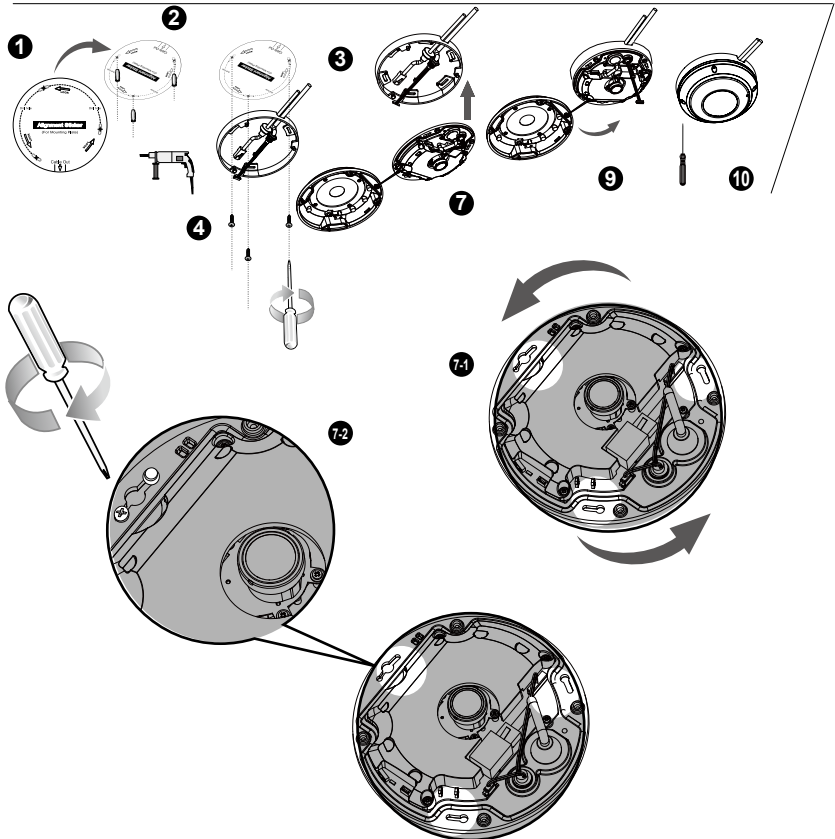
NOTE:

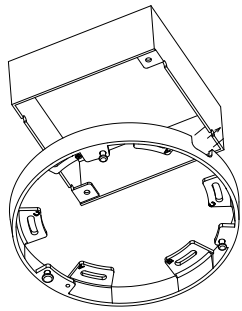
Arrange the cables neatly to avoid getting in the way when the dome cover is attached.

Ceiling/Wall Mount with Mounting Plate

(Choose this mounting type if you would like to feed the cables form the side)

1. Attach the supplied alignment sticker for the supplied mounting plate to the ceiling/wall.
2. Using the three circles on the sticker, drill three holes into the ceiling. Then hammer the three supplied plastic anchors into the holes.
3. Arrange and feed the cables through the side of the mounting plate.
4. Secure the mounting plate to the ceiling/wall with three supplied screws.
5. Connect the Ethernet cable to the socket.
6. Connect two white headers to the J6 and J7 connectors.
7. Attach the camera base to the mounting plate and turn counter-clockwise as shown below (Figure 7-1). Then secure the supplied screws to fix the camera base (Figure 7-2).
8. You will find a dessicant bag attached to the camera. Replace the dessicant bag with the one shipped within the accessory bag.
9. Attach the dome cover.
10. Secure the four screws with the supplied stardriver. Make sure all camera parts are securely installed.



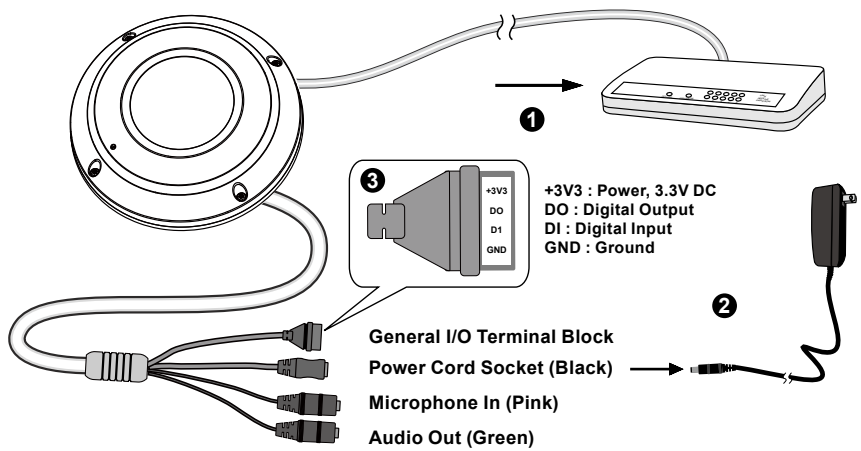


You may also use the diagonal holes on the mounting plate, marked as A, B, or C, to install the camera to a standard 4 in. junction box.

4 Network Deployment

General Connection (without PoE)

1. Connect RJ45 Ethernet cable to a switch.
2. Connect the power cable from the Network Camera to a power outlet.
3. If you have external devices such as sensors and alarms, make the connection from the general I/O terminal block.



NOTE:

If DC power is preferred, it should comply with: O/P: 12VDC, 1.5Amin., L.P.S. per IEC 60950-1.

Power over Ethernet (PoE)

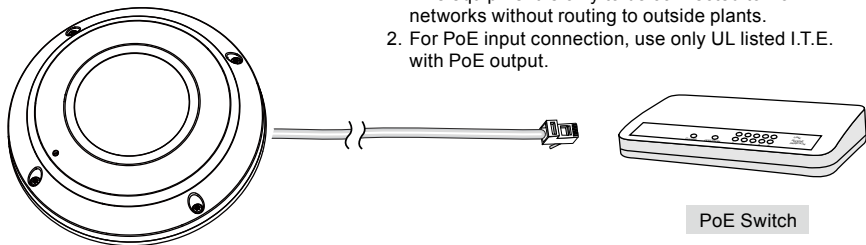
● When using a PoE-enabled switch

The Network Camera is PoE-compliant, allowing transmission of power and data via a single Ethernet cable. Follow the below illustration to connect the Network Camera to a PoE-enabled switch via Ethernet cable.



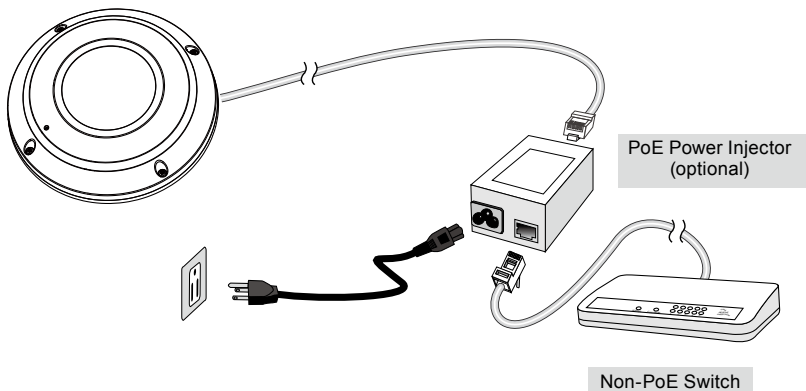
NOTE:

1. This equipment is only to be connected to PoE networks without routing to outside plants.
2. For PoE input connection, use only UL listed I.T.E. with PoE output.



● When using a non-PoE switch

Use a PoE power injector (optional) to connect between the Network Camera and a non-PoE switch.



HARDWARE LIMITED WARRANTY

What Is Covered: This warranty covers any hardware defects in materials or workmanship, with the exceptions stated below.

How Long Coverage Lasts: This warranty lasts for TWENTY-FOUR MONTHS from the date of purchase by the original end-user customer.

What Is Not Covered: This warranty does not cover cosmetic damage or any other damage or defect caused by abuse, misuse, neglect, use in violation of instructions, repair by an unauthorized third party, or an act of God. Also, if serial numbers have been altered, defaced, or removed. Further, consequential and incidental damages are not recoverable under this warranty.

What VIVOTEK Will Do: VIVOTEK will, in our sole discretion, repair or replace any product that proves to be defective in material or workmanship. Any repair or replaced part of the product will receive a THREE-MONTH warranty extension.

How To Get Service: Contact our authorized distributors in your region. Please check our website (www.vivotek.com) for the information of an authorized distributor near you.

Your Rights: SOME STATES DO NOT ALLOW EXCLUSION OR LIMITATION OF CONSEQUENTIAL OR INCIDENTAL DAMAGES, SO THE ABOVE EXCLUSION OR LIMITATION MAY NOT APPLY TO YOU. THIS WARRANTY GIVES YOU SPECIFIC LEGAL RIGHTS, AND YOU MAY ALSO HAVE OTHER RIGHTS WHICH VARY FROM STATE TO STATE.

VIVOTEK INC.

6F, No. 192, Lien-Cheng Rd., Chung-Ho,
Taipei County, Taiwan.
www.vivotek.com

-
1. Proof of the date of purchase is required. In the event you can not render such document, warranty will commence from the date of manufacture.
 2. Cosmetic damage will only be covered by this warranty if such damage has been existed at the time of purchase.

P/N:625023301G Rev.: 1.1

All specifications are subject to change without notice.
Copyright © 2014 VIVOTEK INC. All rights reserved.



VIVOTEK INC.

6F, No.192, Lien-Cheng Rd., Chung-Ho, New Taipei City, 235, Taiwan, R.O.C.
|T: +886-2-82455282 | F: +886-2-82455532 | E: sales@vivotek.com

VIVOTEK Netherlands B.V.

Busplein 36, 1315KV, Almere, The Netherlands
|T: +31 (0)36 5389 149 | F: +31 (0)36 5389 111 | E: sales@vivotek.com

VIVOTEK USA, INC.

2050 Ringwood Avenue, San Jose, CA 95131
|T: 408-773-8686 | F: 408-773-8298 | E: salesusa@vivotek.com