

iLuv™

Mini Speaker



Instruction Manual

i209

Please read this manual carefully before operating and save it for future reference.

Have a question? Please visit <http://www.i-Luv.com>

USER SAFETY GUIDE

YOU CAN HELP TO PROTECT THE ENVIRONMENT!

Please remember to respect the local regulations: Hand in the non-working electrical equipment to an appropriate waste disposal center.



Important Safety Warnings

1. FCC regulations state that any change or modification to the equipment, not expressly approved by maker or its authorized parties, could void user's authority to operate this equipment.
2. To prevent fire or electric shock, do not expose the unit to rain or moisture.
3. Never attempt to open the cabinet. Always refer servicing to a qualified technician.

Important Safety Instructions

1. **READ INSTRUCTIONS** - All the safety and operating instructions should be read before the appliance is operated.
2. **RETAIN INSTRUCTIONS** - The safety and operating instructions should be retained in a secure place for future reference.
3. **HEED WARNINGS** - All warnings on the appliance and in the operating instructions should be upheld.
4. **FOLLOW INSTRUCTIONS** - All operating and use instructions should be followed.
5. **WATER AND MOISTURE** - The appliance should not be used near water. For example: near a bathtub, kitchen sink, laundry tub, and/or swimming pool.

USER SAFETY GUIDE

Important Safety Instructions – Continued

6. **HEAT** - The appliance should be situated away from heat sources such as radiators, heat registers, stoves, or other appliances (including amplifiers) that produce heat.
7. **POWER SOURCES** - The appliance should be connected to a power supply only of the type described in the operating instructions or as marked on the appliance.
8. **CLEANING** - The appliance should only be cleaned with a dry cloth.
9. **OBJECT AND LIQUID ENTRY** - Care should be taken so that objects do not fall and liquids are not spilled into the device's openings.
10. **CARTS AND STANDS** - The appliance should be used only with a cart or stand that is recommended by the manufacturer. An appliance and cart combination should be moved with care. Quick stops, excessive force, and uneven surfaces may cause the appliance and cart combination to overturn causing possible injury to the user and/or damage to the unit.
11. **DAMAGE REQUIRING SERVICE** - The appliance should be serviced by qualified service professional when:
 - a. Objects have fallen into, or liquid has been spilled into the appliance's apertures.
 - b. The appliance has been exposed to rain.
 - c. The appliance has been dropped and suffered damage.
 - d. The appliance does not appear to operate normally, or exhibits a change in performance.



USER SAFETY GUIDE

Important Safety Instructions – Continued

12. **SERVICING** - The user should not attempt to service the appliance beyond what is described in the user's operating instructions. All other servicing should be referred to qualified service professional.
13. **LEAD AND MERCURY** - This product may contain lead and/or mercury. Disposal of these materials may be regulated by your local authorities due to environmental considerations. For more detailed disposal or recycling information, please contact your local authorities or the EIA (Electronic Industries Alliance) – <http://www.eiae.org>

Additional Safety Instructions

- When not in use, keep your device in a safe place where it will not be bent or crushed.
- Do not listen to music with high volume while driving. Warning horn sounds may not be heard which could result in a traffic accident.

NOTE: Changes or modifications not expressly approved by the party responsible for compliance could void the user's authority to operate the equipment. Refer to 47 CFR Sec. 15.21.

About Electromagnetic Interference (EMI)

This device is designed and manufactured not to exceed the exposure limit for radio frequency energy, which is set by the Federal Communications Commission of the U.S government.

USER SAFETY GUIDE

About Electromagnetic Interference (EMI) – Continued

The term “EMI” is short for the electromagnetic interference caused by the electromagnetic field generated by electronic devices. In fact, most electrical appliances and devices emit electric and magnetic fields, and most of modern electronic devices are susceptible to electromagnetic interference (EMI) if they are inadequately shielded or designed.

- If you use any personal medical device, such as a pacemaker, please consult the manufacturer of the device to determine if it is adequately shielded from electromagnetic interference. Your physician may assist you in obtaining this information.
- Please turn off this device if you are instructed to do so, especially on an airplane and in a hospital.
- Please keep away from the medical instruments in a hospital or medical unit while using this device.

FCC Notices to U.S. Users

This device complies with Part 15 of the FCC Rules. Operation is subject to the following two conditions: (1) this device may not cause harmful interference, and (2) this device must accept any interference received, including interference that may cause undesired operation. Refer to 47 CFR Sec. 15.19.

This equipment has been tested and found to comply with the limits for a Class B digital device, pursuant to Part 15 of the FCC Rules. These limits are designed to provide reasonable protection against harmful interference in a residential installation.

USER SAFETY GUIDE

FCC Notices to U.S. Users – Continued

This equipment generates, uses, and can radiate radio frequency energy and, if not installed and used in accordance with the instructions, may cause harmful interference to radio communications, which can be determined by turning the equipment off and on, the user is encouraged to correct the interference by one or more of the following measures:

- Reorient or relocate the receiving antenna.
- Increase the separation between the equipment and receiver.
- Connect the equipment to an outlet on a circuit different from that to which the receiver is connected.
- Consult the dealer or an experienced radio/TV technician for help.

Industry Canada Notice to Canadian Users

Operation is subject to the following two conditions: (1) this device may not cause harmful interference, and (2) this device must accept any interference received, including interference that may cause undesired operation of the device. Refer to IC RSS 210 Sec. 5.11. The term “IC” before the certification or registration number only means that the registration was performed based on a Declaration of Conformity and that Industry Canada technical specifications were met. It does not imply that Industry Canada (IC) approved this equipment. Refer to Self-Marking 6(f) and RSP 100 Sec. 4.

GETTING STARTED

Thank you for purchasing the i209. Unpack the unit and make sure all the accessories are put aside so they will not be lost.

The i209 is a tiny, portable, battery-operated stereo speaker. Headsets are no longer necessary to enjoy your music. Put the T-Speaker in your pocket and take it wherever you go. Simply plug it into the headphone jack of your iPod or any other portable audio device and share your music with your friends.

Be Free from Headphones and Share Your Music with Your Friends.

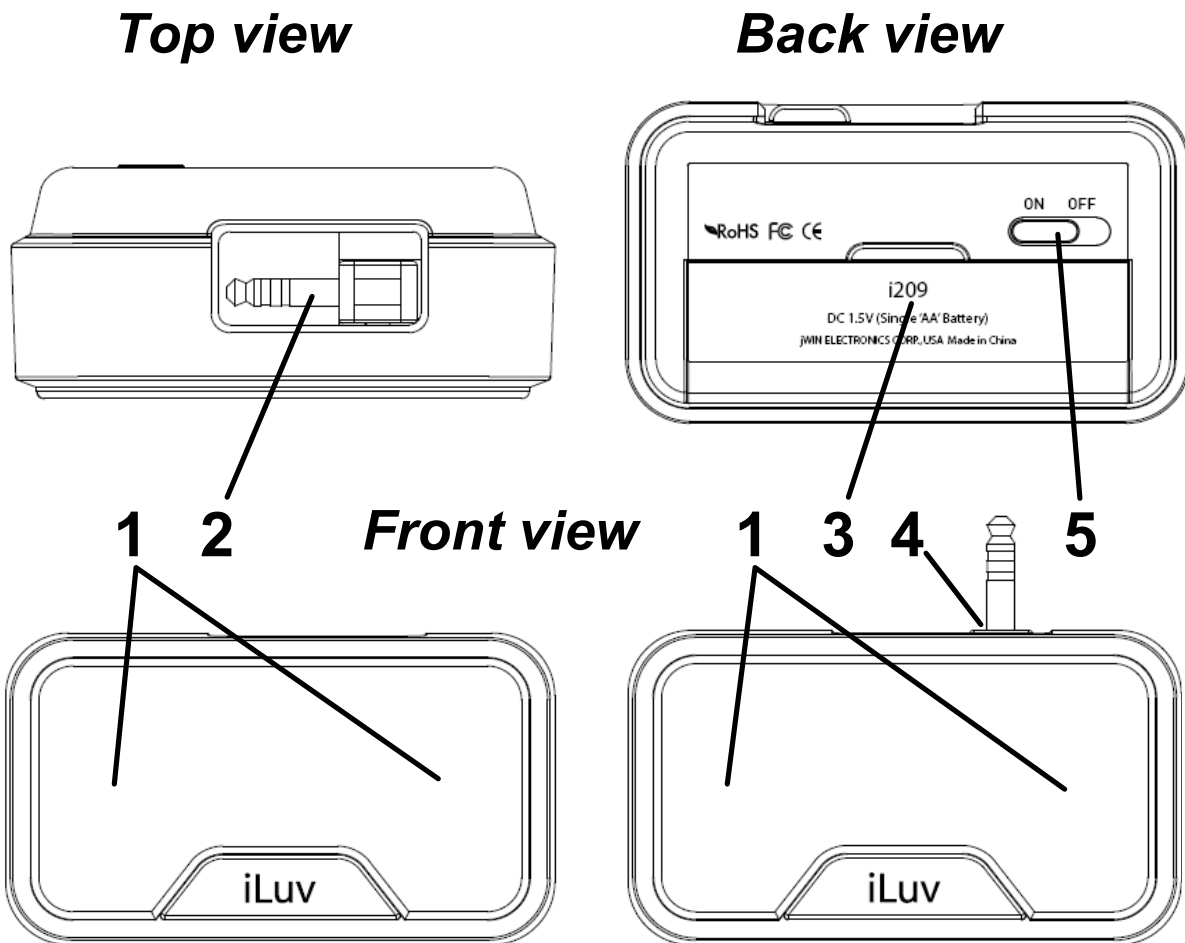
- Fits in your pocket
- Easy to carry anywhere
- Enjoy your iPod music without headsets or large wired external speakers
- Share your sounds anytime, anywhere.
- Ideal for listening to most music devices
- Battery-operated stereo speaker for your iPod.
- ON/OFF switch to save battery life while not in use

What's Included?

- Mini portable speaker
- Instruction manual
- Warranty card



LOCATION OF CONTROLS



1. STEREO SPEAKERS
2. 3.5mm PLUG (shown in "IN" position)
3. BATTERY COMPARTMENT
4. 3.5mm PLUG (shown in "OUT" position)
5. ON / OFF SWITCH

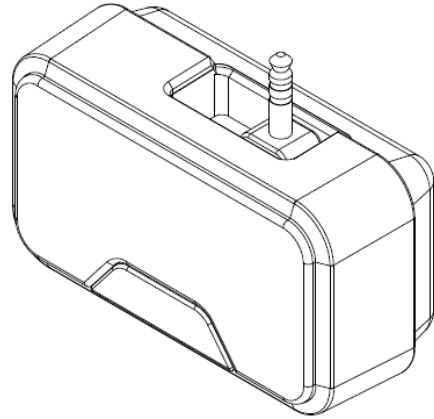
Installing the batteries

1. Open the battery compartment on the back of the unit.
2. Place one (1) 'AA' battery into the battery compartment making sure to match the polarity (+/-) marked inside.
3. Close the battery compartment.

OPERATIONAL INSTRUCTIONS

Connecting the Unit to a Music Player

1. Extend the 3.5mm Plug to the “OUT” position.
2. Connect your iPod or other music playback device with a 3.5mm jack.
3. Slide the ON/OFF switch to the “ON” position.



Playing Music through the Speakers

1. Turn on your iPod or other music playback device.
2. Select the music you wish to play using the controls of your iPod or other device.
3. Enjoy your music as it plays through the speakers.

Note: All playback functions (including Volume Control) are controlled by the functions of your iPod or other device. Check the instruction manual of your music player for playback directions.

Caution: When not in use, disconnect the speaker from your iPod or other device and slide the ON / OFF switch to the “OFF” position.

SPECIFICATIONS

- Single AA battery (not included)
- 150mW power output per channel for stereo sound
- Channel Separation: 35dB
- Operating supply current: $\leq 800\text{mA}$ (Max.)

* Features and specifications are subject to change without prior notification. The unit dimensions and weights are approximate.

iLuv™

TEL: 516-626-7188

FAX: 516-626-7105

website: www.i-Luv.com

e-mail: info@i-Luv.com

iLuv is a trademark of jWIN Electronics Corp., and all rights for use of this trademark are reserved and protected by law. All logos and brands are the property of their respective owners. Features and specifications are subject to change without prior notification. iPod is a trademark of Apple, Inc.

© 2008 jWIN Electronics Corp. All rights reserved. No portion of this printed material or product enclosed herewith including design, shape and graphics, may be reproduced or transmitted in any form without the expressed written consent of jWIN Electronics Corp. by any means, electronic or mechanical, including photocopying, recording or use of an information storage and retrieval system. Any unauthorized distribution or reproduction of this printed material or product, or any portion there of, will be prosecuted to the fullest possible extent of the law. iPod is not included with this product.