

Rosewill[®]

GALAXY

User's Manual

Contents

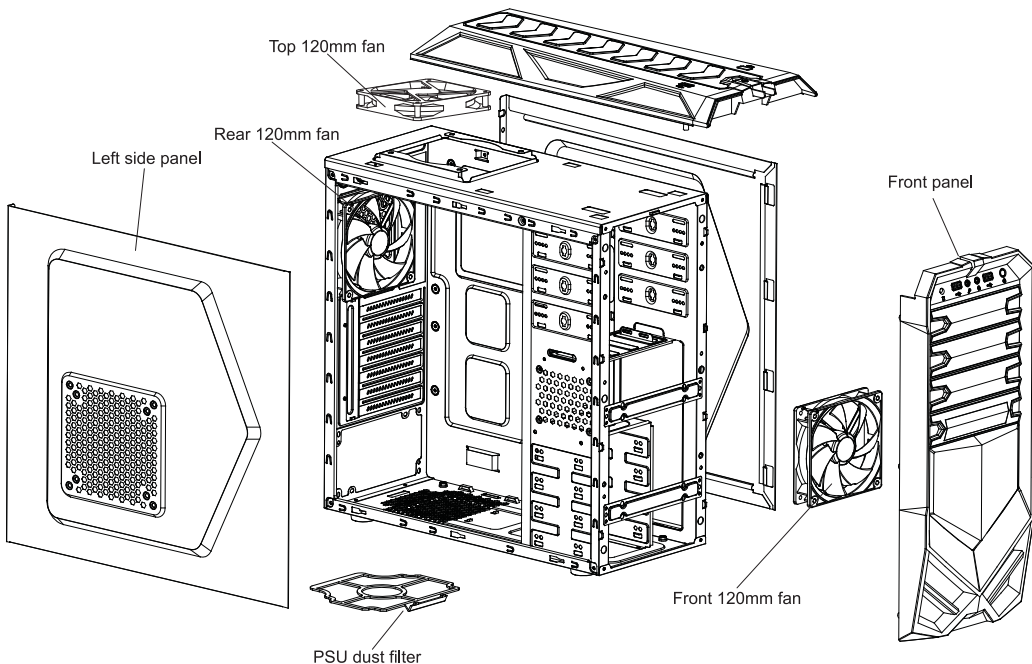
■ Product Overview

Disassemble Chart	P.2
Accessory Box	P.3

■ Installation Guide

Opening Chassis	P.4
Installing Power Supply	P.4
Installing Motherboard	P.5
Installing Add On Card	P.5
Installing External 5.25"/3.5" Device (Galaxy 01)	P.6
Installing External 5.25"/3.5" Device (Galaxy 02/03)	P.7
Installing 3.5"/2.5" HDD/SSD	P.8
Closing Chassis	P.9
■ Information	P.9

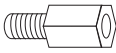
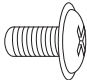
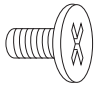
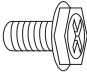
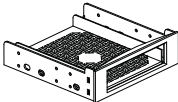
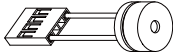

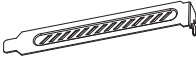
Disassemble Chart (For reference only. Models' option may be varied by countries.)



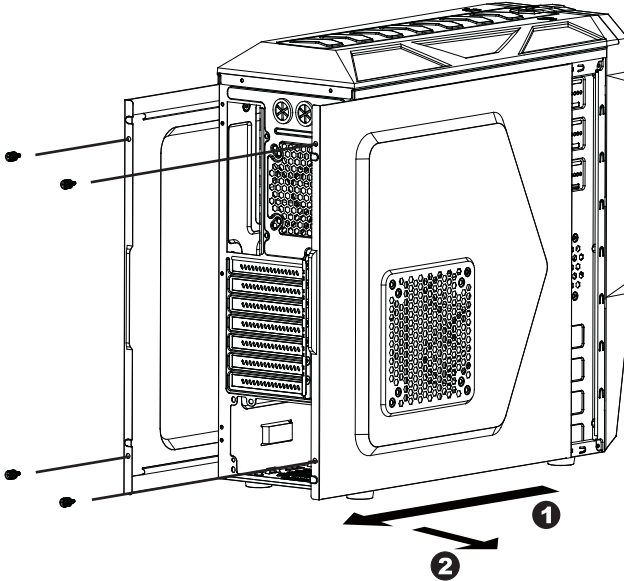
Front I/O Pin Define (Please refer to your motherboard's user's manual to connect.)

<p style="text-align: center;">USB 3.0 CONNECTOR</p>	<p style="text-align: center;">AC97 CONNECTOR</p>
<p style="text-align: center;">USB2.0 CONNECTOR</p>	<p style="text-align: center;">HD CONNECTOR</p>

Accessory Box

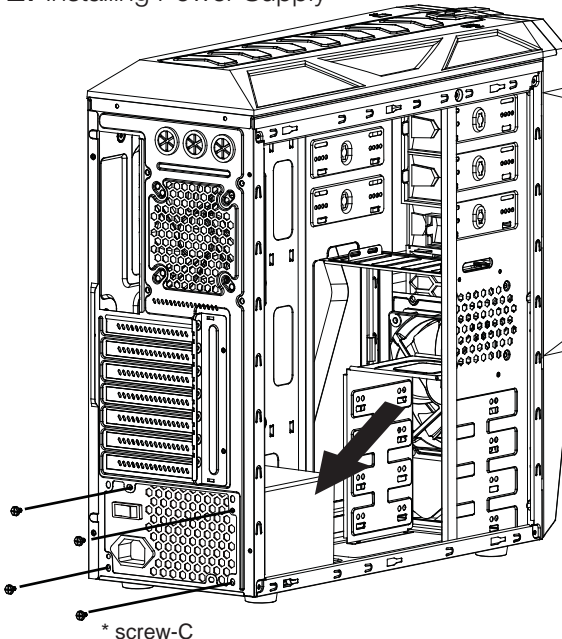
	9 x M/B standoff (6 Pre-Installed)	Motherboard
	29 x screw-A	Motherboard 5.25"/3.5" Device 2.5" SSD/HDD
	16 x screw-B	3.5" HDD
	11 x screw-C	Power Supply Add-on Card
	1 x 5.25" to 3.5" bay converter (Galaxy 2/3 only)	External 3.5" Device
	1 x PC Speaker	Motherboard
	5 x Cable tie	Cables
	2 x PCI cover	Expansion Slot

1. Opening Chassis



Unscrew to remove left and right panels.

2. Installing Power Supply



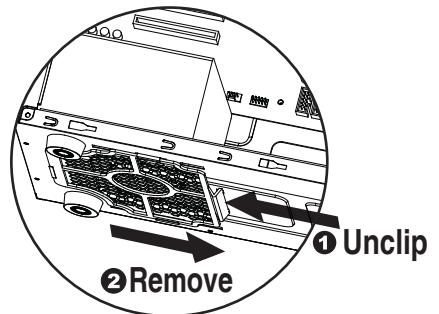
Place the power supply from the left side into the chassis and secure with screws.

NOTICE :

-If your power supply is equipped with single fan (120mm, 135mm or 140mm), please have the fan face to the bottom.

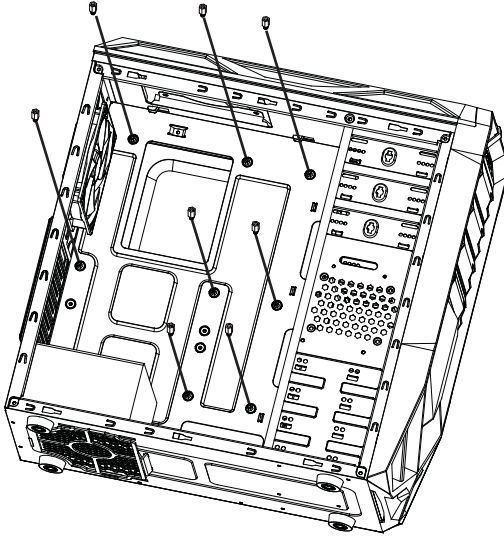
-Please remember to clean the PSU dust filter regularly.

To Remove PSU dust filter for Cleaning:

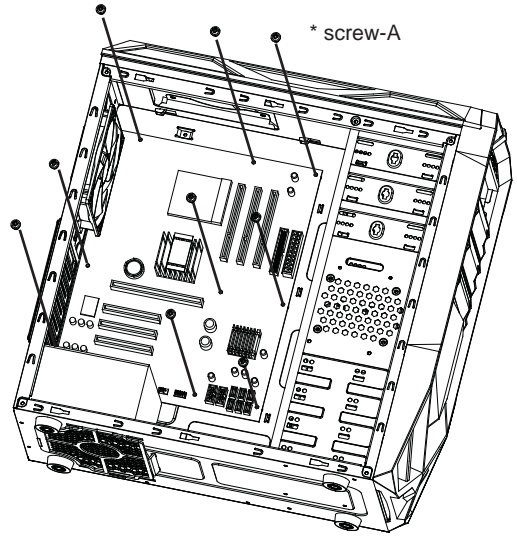


* screw-C

3. Installing Motherboard



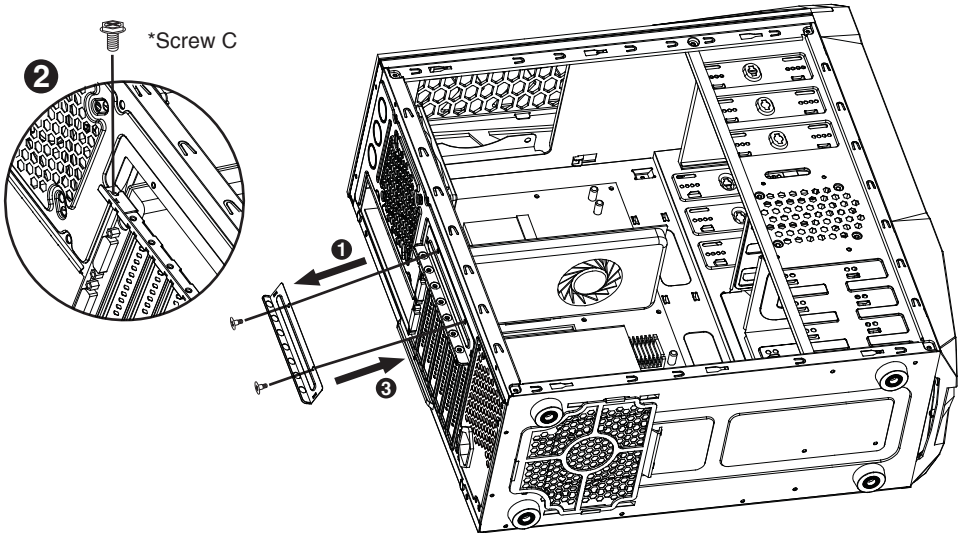
Step 1- Install motherboard stand-offs according to your motherboard's form factor.



Step 2- Place the motherboard onto stand-offs and secure with screws.

NOTE : NOT every motherboard is made by standard, please set stand-offs according to your motherboard.

4. Installing Add On Card



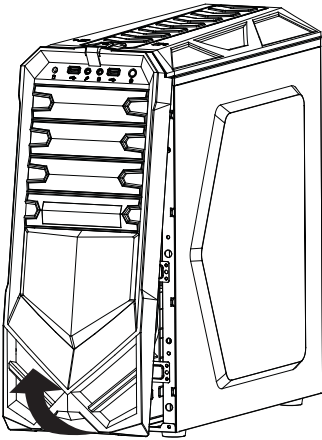
Step 1- Unscrew and remove add-on card cover.

Step 2- Install VGA card and secure with screw.

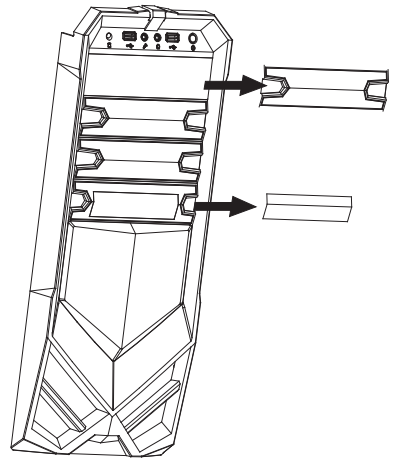
Step 3- Put back add-on card cover and secure with screws.

5. Installing External 5.25"/3.5" Device (Applies to Galaxy-01)

*Please refer to the next page for Galaxy-02/03 external drive installation

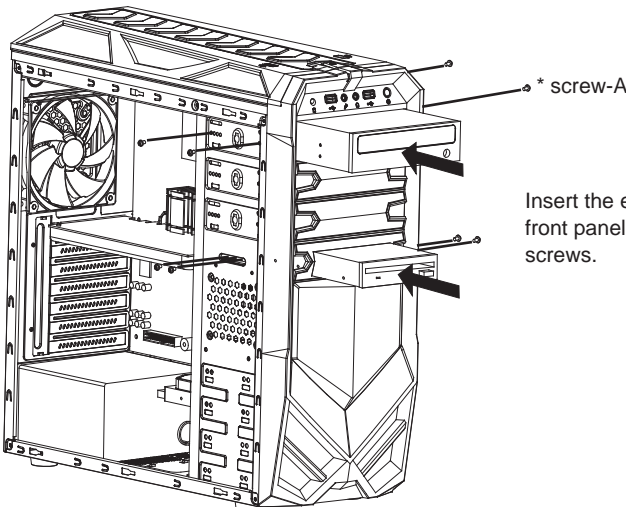


-Remove front panel by pulling from the bottom as shown.



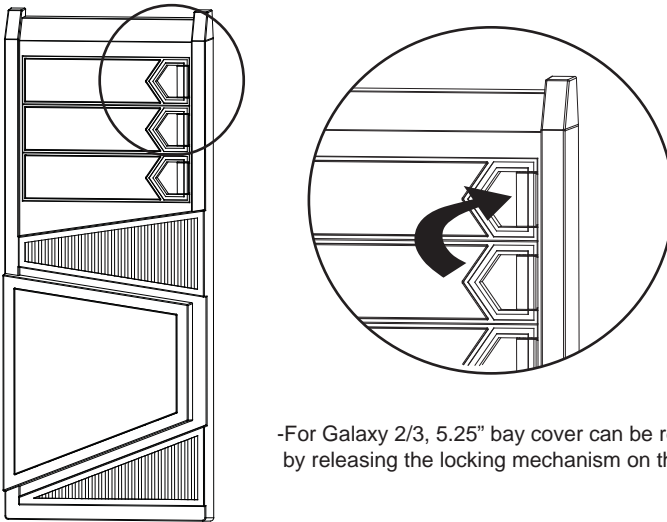
-Confirm which bay(s) you want to install device(s) then remove the bay cover.

6. Installing External 5.25"/3.5" Device (Applies to Galaxy-01)



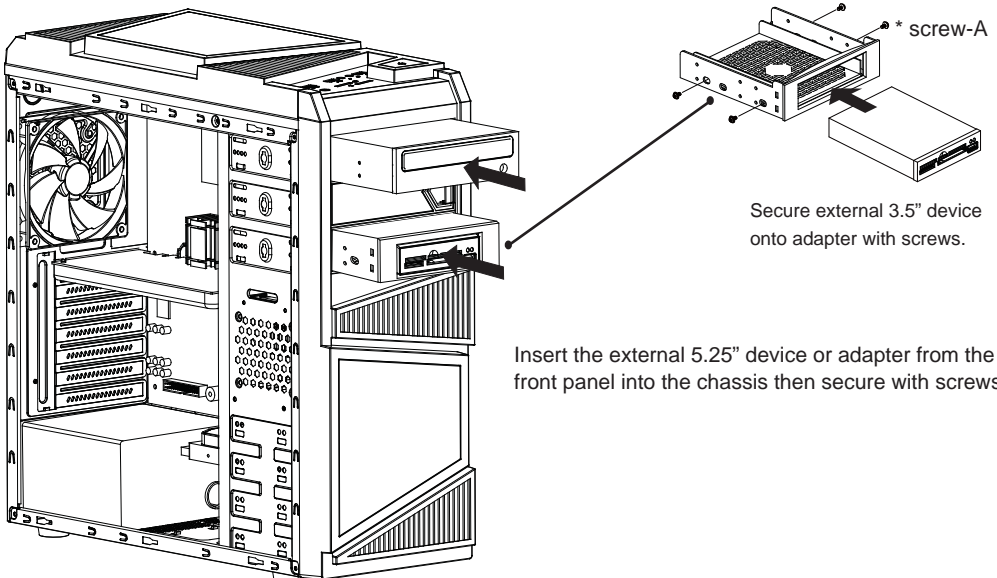
Insert the external 5.25" & 3.5" device from the front panel into the chassis then secure with screws.

5a. Installing External 5.25"/3.5" Device (Applies to Galaxy-02/03)



-For Galaxy 2/3, 5.25" bay cover can be removed by releasing the locking mechanism on the cover.

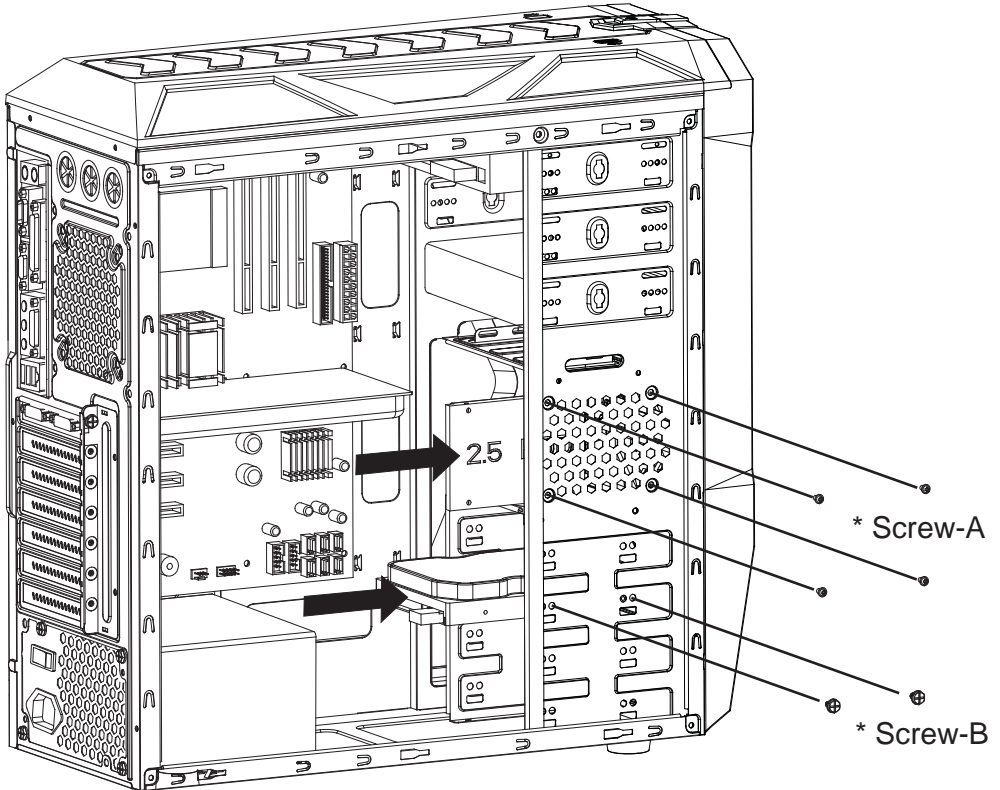
6a. Installing External 5.25"/3.5" Device (Applies to Galaxy-02/03)



Secure external 3.5" device onto adapter with screws.

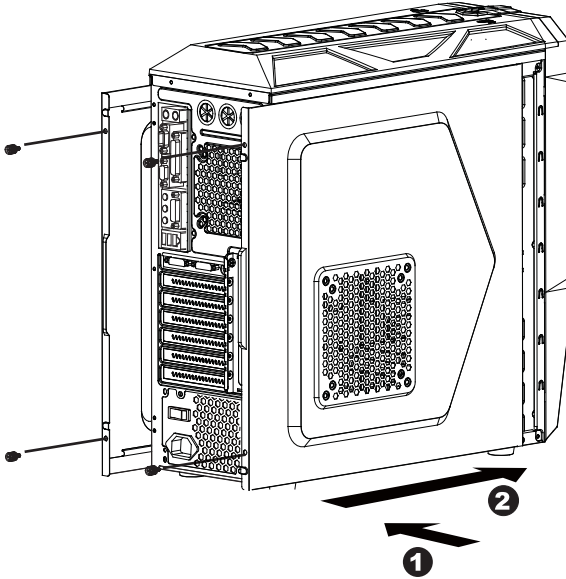
Insert the external 5.25" device or adapter from the front panel into the chassis then secure with screws.

7. Installing 3.5"/2.5" HDD/SSD



Put the 3.5"/2.5" HDD/SSD onto the HDD tray then secure with screws.

8. Closing Chassis



Make sure all necessary cables and wires are connected, then reinstall side panels and secure with screws.

Thank you for purchasing a High-Quality Rosewill Product.

Please register your product at : <http://www.rosewill.com>
for complete warranty information and future support for your product.

If you have any question while using our products, please visit our website : www.rosewill.com
for latest driver & user manual or feel free to contact us.

Support Phone Number: 800-575-9885
Support Email: techsupport@rosewill.com

Rosewill[®]