

HOW TO PROVIDE LIGHTNING PROTECTION FOR TV ANTENNA AND SET

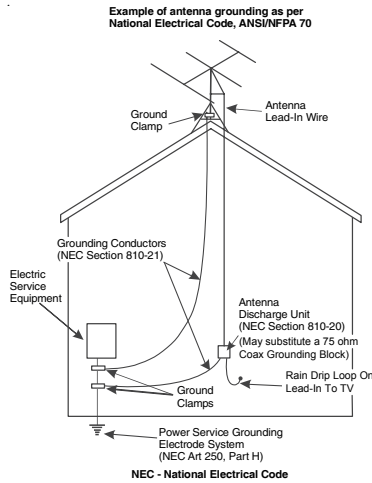
STEP 1. Mount the grounding block as close as possible to where 75 ohm coaxial cable downlead enters the house. See Fig.4.

STEP 2. The ground wires for both the mast and the downlead should be copper or aluminum wire, number eight (8) or larger. See Figure 4.

STEP 3. The downlead wire from the antenna to the grounding block and the mast ground wire should be secured to the house, spaced from four (4) to six (6) feet apart. See Figure 4.

NOTE: In the case of a "ground up" antenna installation, it may not be necessary to ground the mast if the mast extends four or more feet into the earth. Consult a TV serviceman for the proper depth in your location.

Fig. 4



90 DAY LIMITED WARRANTY

The Winegard Company warrants this product against any defects in materials or workmanship within 90 (ninety) days from date of purchase. No warranty claim will be honored unless at the time the claim is made, you present proof of purchase to an authorized Winegard dealer (if unknown, please contact Winegard Company, 3000 Kirkwood St., Burlington, IA 52601-2000, 800-288-8094).

Winegard Company (at its option) will either repair or replace the defective product at no charge to you. This warranty covers parts, but does not cover any costs incurred in removal, shipping or reinstallation of the product. The warranty does not extend to products which have been subjected to misuse, improper installation, or damage caused by wind, lightning, ice or other occurrences over which the manufacturer has no control.

The 90 Day Warranty is provided on the condition that the equipment is properly delivered with all handling and freight charges prepaid to your Winegard dealer for repair or return to our factory at the above address. Winegard dealers will arrange for the replacement or repair and return to you, without charge, the product which failed due to defective material or workmanship.

WINEGARD COMPANY WILL NOT ASSUME ANY LIABILITIES FOR ANY OTHER WARRANTIES, EXPRESS OR IMPLIED, MADE BY ANY OTHER PERSON.

ALL OTHER WARRANTIES WHETHER EXPRESS, IMPLIED, OR STATUTORY INCLUDING WARRANTIES OF FITNESS FOR A PARTICULAR PURPOSE AND MERCHANTABILITY ARE LIMITED TO THE 90-DAY PERIOD OF THIS WARRANTY.

The foregoing shall be the sole and exclusive remedy of any person, whether in contract, tort or otherwise, and Winegard shall not be liable for incidental or consequential damage or commercial loss, or from any other loss or damage except as set forth above.

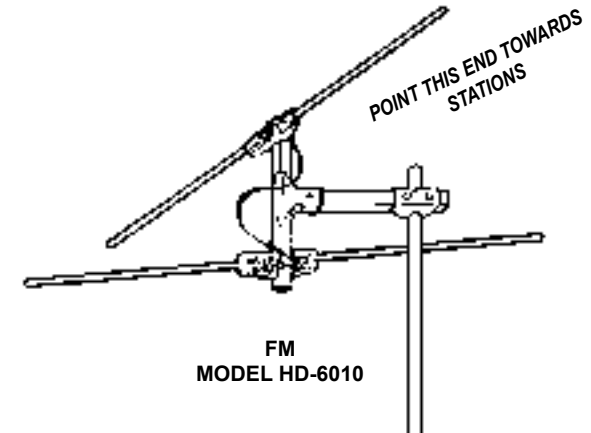
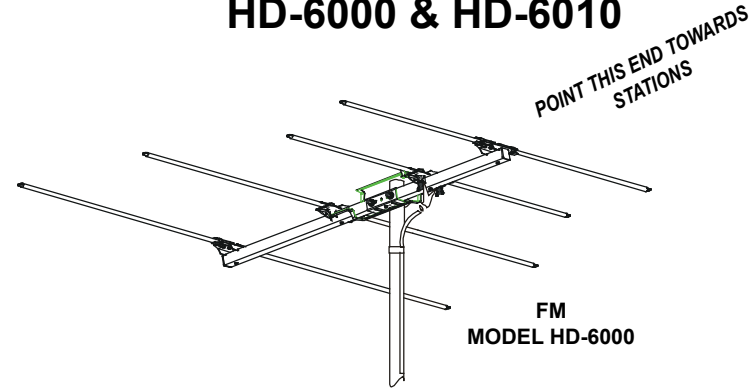
Some states do not allow limitations on how long an implied warranty lasts, or the exclusion of limitation of incidental or consequential damages, so the above limitations or exclusions may not apply to you.

This warranty gives you specific legal rights and you may also have other rights which vary from state to state.

Rev. 2/08



**INSTRUCTIONS
FM MODELS
HD-6000 & HD-6010**



Register your product at winegard.com/myantenna

**WARNING
INSTALLATION OF THIS ANTENNA NEAR POWER LINES IS DANGEROUS.
FOR YOUR SAFETY, FOLLOW THE INSTALLATION INSTRUCTIONS.**

WARNING
INSTALLATION OF THIS ANTENNA NEAR POWER LINES IS DANGEROUS. FOR YOUR SAFETY, FOLLOW THE INSTALLATION INSTRUCTIONS.

PR-6000 ONLY

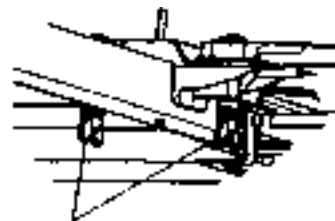
STEP 1. Remove antenna from carton and unfold elements, making certain the elements lock tightly into place and are perpendicular to the boom.

STEP 2. Attach matching transformer to coaxial downlead. Loosen wing nuts on downlead connection. Attach matching transformer leads between washers on stud rivets. Tighten wing nuts securely. See Figure 1.

STEP 3. Mount antenna on mast, pointing front (small end) towards stations and tighten mast clamp securely. See Figure 2.

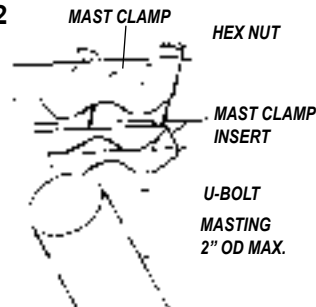
STEP 4. Use electrical tape to secure coax to mast. Ground antenna for per Safety Instructions. See Figure 4 on back side of instruction sheet.

Fig. 1



ATTACH DOWNLEAD HERE

Fig. 2



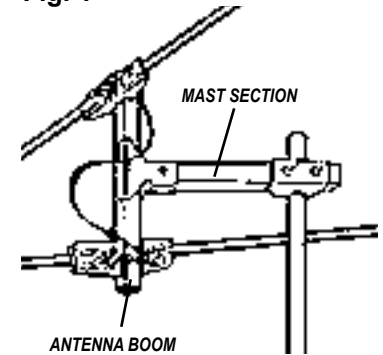
PR-6010 ONLY

STEP 1. Unfold antenna making sure all 4 elements snap tightly in place.

STEP 2. Place connecting mast section into clamp riveted to antenna boom and align holes. Insert bolt through hole and tighten hex nut securely.

STEP 3. Attach assembled antenna to mast, and tighten U-bolt securely. See Figure 1.

Fig. 1



ATTACHING DOWNLEAD

STEP 1. Attach matching transformer to coaxial downlead. Loosen wing nuts on downlead connection. Attach matching transformer leads between washers on stud rivets. Tighten wing nuts securely. See Figure 2.

STEP 2. Use electrical tape to secure coax to mast. Ground antenna for per Safety Instructions. See Figure 4 on back side of instruction.

Fig. 2

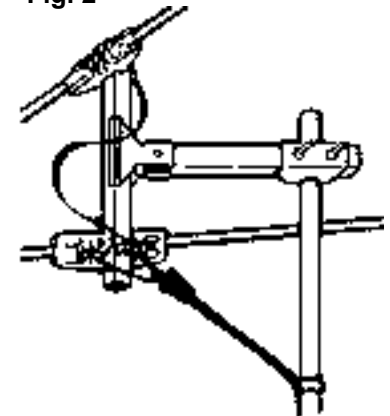
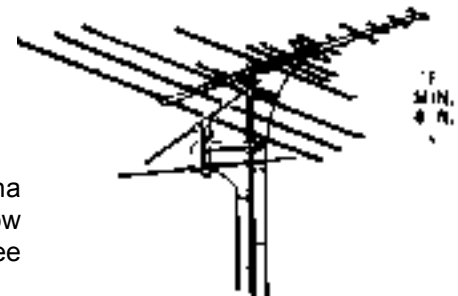


Fig. 3



NOTE: When installing FM antenna on same mast as TV antenna, allow at least 4 feet between antennas. See Figure 3.