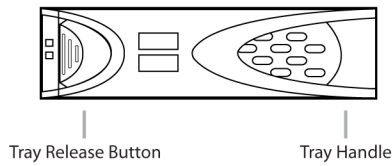


NX424X6R Quick Installation Guide

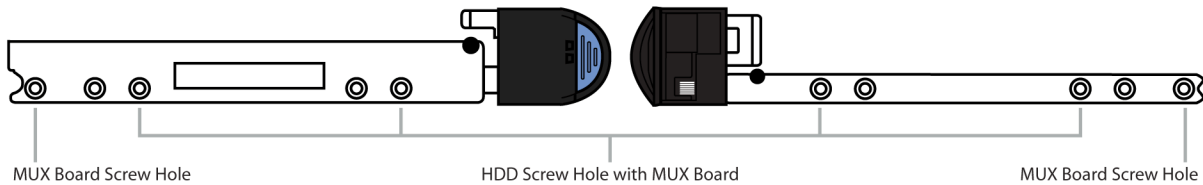
Hard Drive Installation

1. Press the button on the tray to eject the handle.
2. Place the hard drive in the tray, and fasten it with the screws (included in the package) in corresponding locations on the side of the tray.
3. Place the tray into the enclosure and insert the tray by pushing the tray handle.

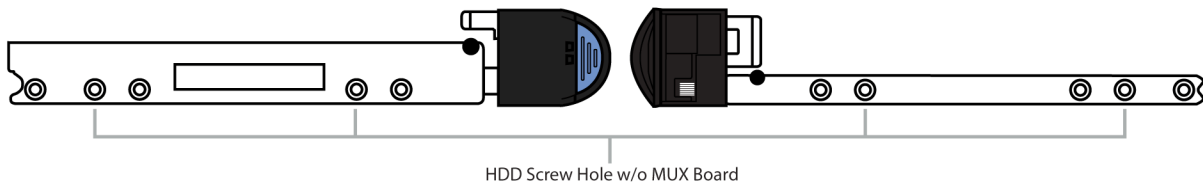
NOTE: Tray support 3.5" hard drive. Please use the correct hard drive holes.



HDD Installation with MUX board
(MUX board purchase separately, use only when redundant controller & SATA hard drives together)

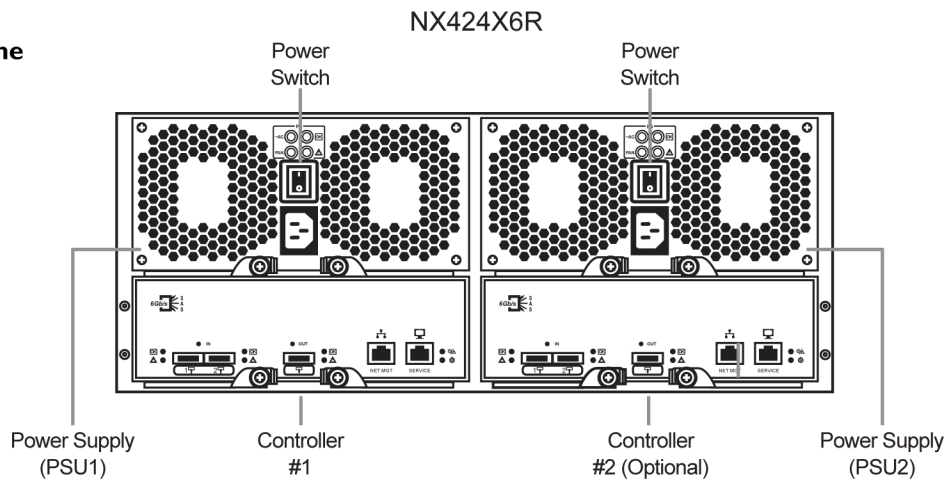


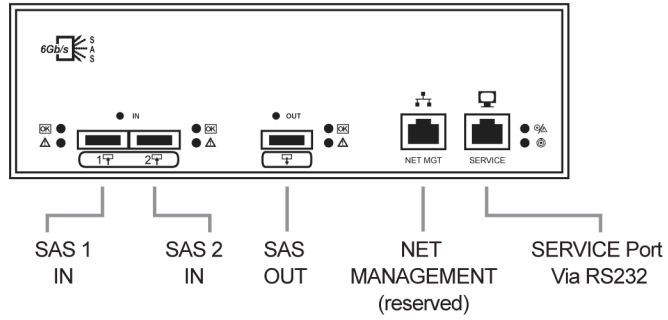
HDD Installation without MUX board



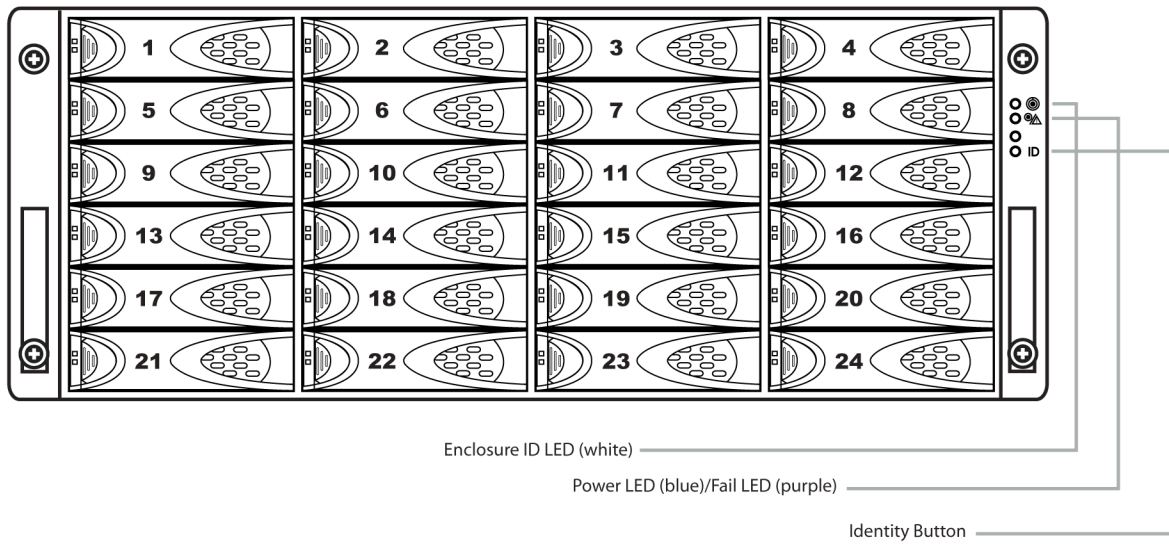
Product Diagrams

Unit Backplane





Hard Drive Locations



For Hardware RAID Controller Card or SAS Host Bus Adapter

1. Power off all devices.
2. Install the controller card to the host computer.
3. Connect mini-SAS cable from the controller card to NX424X6R SAS in port.
4. Connect the power cable. Please make sure connect each redundant power supply with the power cables. The use of UPS, uninterruptible power supply, is higher recommended.
5. Connect additional NX424X6R Expansion JBOD system if desire. Please refer to below diagrams for connections.

Installed to Host Computer

