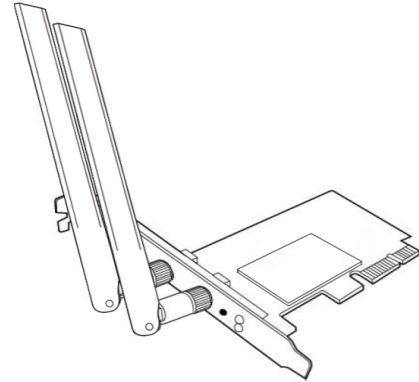


ASUS

PCE-N53

Wireless Local Area Network Card
(For 802.11 a/g/b/n Wireless Networks)



Quick Start Guide

NOTE: For more details and advanced configuration instructions, refer to the user manual included in the Utility CD.

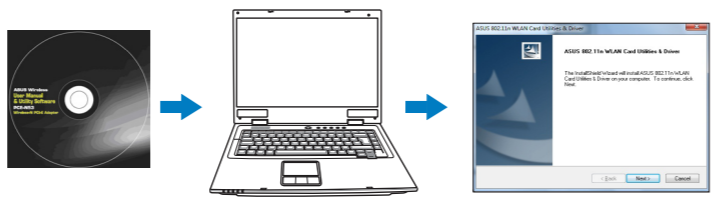
EC Declaration of Conformity
We, the undersigned,
Manufacturer: ASUSTek COMPUTER INC.
Address, City: No. 150, LI-TE RD., PEITOU, TAIPEI 112, TAIWAN R.O.C.
Country: TAIWAN
Authorized representative in Europe: ASUSTEK COMPUTER GMBH
Address, City: HARKORT STR. 21-23, 40880 RATINGEN
Country: GERMANY
Product name: ASUS 300Mbps Wireless Dual-Band PCI-E Card
Model name: PCE-N53
conform with the essential requirements of the following directives:
2004/108/EC-EMC Directive
EN 55022:2006 / EN 55024:2010
EN 61000-3-2:2006/A1:2009/A2:2009 EN 61000-3-3:2009
1999/5/EC-R & TTE Directive
EN 300 328 V1.7.1 (2006-10) EN 301 488-1 V1.9.2 (2011-09)
EN 301 893 V1.6 (2011-11) EN 301 488-17 V2.1.1 (2009-05)
EN 62311:2008
2006/95/EC-LVD Directive
EN 60950-1:2006 / A12:2011 EN 60965:2002+A1:2006+A11:2008
2009/128/EC-ERP Directive
Regulation (EC) No. 1275/2008 Regulation (EC) No. 278/2009
EN 62301:2005 EN 62301:2005
Regulation (EC) No. 642/2009
EN 62301:2005
We, the undersigned,
Position: CEO
Name: Jerry Shen
Declaration Date: May 18, 2012
Year to begin affixing CE marking: 2012



Signature: [Handwritten Signature]

Setting up a Home Network

1. Insert the support CD into the optical drive and follow the onscreen instructions to complete the installation.

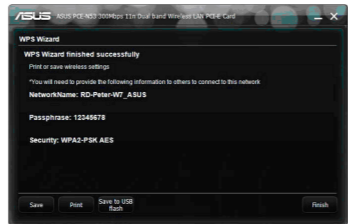


2. Configure PCE-N53 using ASUS utility.

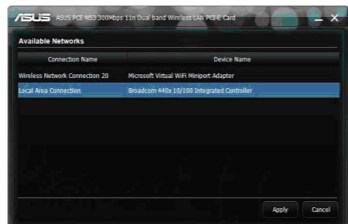
2.1 Connect to a wireless network manually.



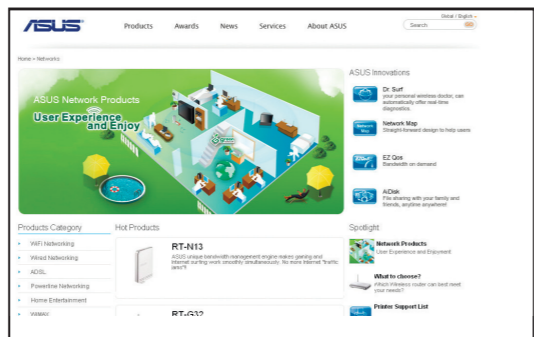
2.2 Connect to a wireless network using WPS.



2.3 Switch to the Soft AP mode (Windows XP/Vista/7).



3. Setup is completed.



English

- 1. Insert the support CD into the optical drive and follow the onscreen instructions to complete the installation.
2. Configure PCE-N53 using ASUS utility.
2.1 Connect to a wireless network manually.
2.2 Connect to a wireless network using WPS.
2.3 Switch to the Soft AP mode (Windows XP/Vista/7).

Deutsch

- 1. Legen Sie die Support-CD in das optische Laufwerk und folgen Sie den Bildschirmanweisungen, um die Installation fertig zu stellen.
2. Konfigurieren Sie PCE-N53 mit Hilfe des ASUS-Hilfsprogramms.
2.1 Verbinden Sie sich manuell mit einem Wireless-Netzwerk.
2.2 Verbinden Sie sich mit WPS mit einem Wireless-Netzwerk.
2.3 Schalten Sie in den Soft AP-Modus (Windows XP/Vista/7).

Italian

- 1. Inserire il CD di supporto nell'unità ottica e completare l'installazione seguendo le istruzioni sullo schermo.
2. Configurare PCE-N53 tramite l'utilità ASUS.
2.1 Effettuare manualmente la connessione alla rete wireless.
2.2 Effettuare la connessione alla rete wireless tramite WPS.
2.3 Passare in modalità Soft AP (Windows XP/Vista/7).

Lietuvių

- 1. Įdėkite pagalbos kompaktinį (CD) diską į optinę tvarkyklę ir vadovaukitės nuorodomis ekrane, norėdami baigti įdiegimą.
2. PCE-N53 konfigūravimas naudojant ASUS paslaugų programą.
2.1 Rankiniu būdu prijunkite bevielį tinklą.
2.2 Prijunkite bevielį tinklą naudodamiesi WPS.
2.3 Perjunkite į "Soft AP" režimą.

Latviski

- 1. Ielieciet atbalsta CD optiskajā diskā un izpildiet ekrānā redzamos norādījumus instalācijas veikšanai.
2. Konfigurējiet PCE-N53, izmantojot ASUS utilitū.
2.1 Pievienojieties bezvadu tīklam manuāli.
2.2 Pievienojieties bezvadu tīklam, izmantojot WPS.
2.3 Pārslēdzieties uz Soft AP režīmu.

Português

- 1. Insira o CD de suporte na unidade óptica e siga as instruções no ecrã para concluir a instalação.
2. Configure a placa PCE-N53 com o utilitário ASUS.
2.1 Ligue manualmente a uma rede sem fios.
2.2 Ligue a uma rede sem fios através de WPS.
2.3 Mude para o modo Soft AP.

Română

- 1. Introduceți CD de instalare în drive-ul optic și urmați instrucțiunile de pe ecran pentru a finaliza instalarea.
2. Configurați PCE-N53 utilizând utilitarul ASUS.
2.1 Conectați-vă manual la o rețea wireless.
2.2 Conectați-vă la o rețea wireless utilizând WPS.
2.3 Conectați-vă la modul Soft AP.

Polski

- 1. Włóż płytę CD z oprogramowaniem do napędu optycznego i postępuj zgodnie z instrukcjami
2. Skonfiguruj PCE-N53 programem narzędziowym ASUS.
2.1 Połącz ręcznie z siecią bezprzewodową.
2.2 Połącz z siecią bezprzewodową poprzez WPS.
2.3 Przełącz na tryb Soft AP (Programowy punkt dostępowy)

Español

- 1. Inserte el CD de soporte en la unidad óptica y siga las instrucciones que aparecerán en la pantalla para llevar a cabo la instalación.
2. Use la utilidad ASUS para configurar la tarjeta PCE-N53.
2.1 Conectese a una red inalámbrica manualmente.
2.2 Conectese a una red inalámbrica empleando la función WPS.
2.3 Active el modo Soft AP (AP Software)

Українська

- 1. Вставте компакт-диск підтримки до оптичного дисководу і виконуйте інструкції на екрані, щоб завершити інсталяцію.
2. Конфігурація PCE-N53 за допомогою утиліти ASUS.
2.1 Підключіться до бездротової мережі вручну.
2.2 Підключіться до бездротової мережі за допомогою WPS.
2.3 Переключитися на режим Soft AP (М'якої точки доступу)

Français

- 1. Insérez le CD de support dans le lecteur optique de votre ordinateur puis suivez les instructions apparaissant à l'écran.
2. Configurez le PCE-N53 à l'aide de l'utilitaire ASUS.
2.1 Connectez-vous manuellement à un réseau sans fil.
2.2 Connectez-vous à un réseau sans fil à l'aide de la fonction WPS.
2.3 Configurez la carte réseau sans fil en mode Point d'accès (Windows XP/Vista/7)

Nederlands

- 1. Stop de ondersteunings-cd in het optische station en volg de instructies op het scherm om de installatie te voltooien.
2. Configureer PCE-N53 met ASUS-hulpprogramma.
2.1 Maak handmatig een verbinding met een draadloos netwerk.
2.2 Maak met WPS een verbinding met een draadloos netwerk.
2.3 Schakel naar de Soft AP-modus.

Ελληνικά

- 1. Εισάγετε το CD υποστήριξης στη μονάδα οπτικού δίσκου και ακολουθήστε τις οδηγίες που εμφανίζονται στην οθόνη για να ολοκληρώσετε την εγκατάσταση.
2. Διαμορφώστε το PCE-N53 χρησιμοποιώντας το βοηθητικό πρόγραμμα της ASUS.
2.1 Συνδέεστε μη αυτόματα σε ένα ασύρματο δίκτυο.
2.2 Συνδέεστε σε ένα ασύρματο δίκτυο με χρήση του WPS.
2.3 Αλλαγή σε λειτουργία Soft AP.

Русский

- 1. Вставьте диск в оптический привод и следуйте инструкциям на экране для завершения установки.
2. Сконфигурируйте PCE-N53 с помощью утилиты ASUS.
2.1 Подключение к беспроводной сети вручную.
2.2 Подключение к беспроводной сети с помощью WPS.
2.3 Переключение в режим Soft AP (Windows XP/Vista/7).

Eesti

- 1. Sisestage tugi-CD optilise kettaseadmesse ja järgige ekraanijuhiseid, et installimine lõpule viia.
2. Konfigureerige seade PCE-N53, kasutades ASUS utiliiti.
2.1 Looge traadita võrguga käsitsi ühendus.
2.2 Looge ühendus traadita võrguga, kasutades funktsiooni WPS.
2.3 Lülitage režiimi Soft AP.

Magyar

- 1. Helyezze a támogató CD-t az optikai meghajtóba és kövesse a képernyőn megjelenő utasításokat a telepítés elvégzéséhez.
2. Végezze el a PCE-N53 konfigurálását az ASUS segédprogram használatával.
2.1 Csatlakozzon manuálisan egy vezeték nélküli hálózathoz.
2.2 Csatlakozzon egy vezeték nélküli hálózathoz WPS segítségével.
2.3 Váltson Soft-AP módra.

Slovensky

- 1. Do optickéj mechaniky vložte CD s podporou a inštaláciu vykonajte podľa pokynov na obrazovke.
2. Vykonajte konfiguráciu PCE-N53 pomocou nástroje ASUS.
2.1 Pripojte sa k bezdrôtovej sieti manuálne.
2.2 Pripojte sa k bezdrôtovej sieti pomocou WPS.
2.3 Prepnite na režim Soft AP.

Čeština

- 1. Vložte podpůrný disk CD do optické jednotky a dokončete instalaci podle zobrazených pokynů.
2. Nakonfigurujte PCE-N53 pomocí nástroje ASUS.
2.1 Připojte se k bezdrátové síti ručně.
2.2 Připojte se k bezdrátové síti pomocí WPS.
2.3 Přepněte do režimu softwarového přístupového bodu (AP).

Suomi

- 1. Aseta tuki-CD-levy optiseen asemaan ja suorita asennus loppuun noudattamalla ruudun ohjeita.
2. Määritä PCE-N53 käytettävällä ASUS-apuhjelmalla.
2.1 Muodosta yhteys langattomaan verkkoon manuaalisesti.
2.2 Muodosta yhteys langattomaan verkkoon käytettävällä WPS:ää.
2.3 Kytke Soft AP -tilaan.

Български

- 1. Поставете помощния CD диск в оптичното устройство и следвайте инструкциите на екрана, за да приключите инсталацията.
2. Конфигуриране на PCE-N53 с помощта на помощната програма на ASUS.
2.1 Ръчно свързване към безжична мрежа.
2.2 Свързване към безжична мрежа с помощта на WPS.
2.3 Превключване на Soft AP режим.

Bahasa Indonesia

- 1. Masukkan CD dukungan ke drive optik, lalu ikuti petunjuk di layar untuk menyelesaikan penginstalan.
2. Konfigurasi PCE-N53 menggunakan utilitas ASUS.
2.1 Sambungkan ke jaringan nirkabel secara manual.
2.2 Sambungkan ke jaringan nirkabel menggunakan WPS.
2.3 Alihkan ke mode Soft AP.

ไทย

- 1. ใส่แผ่น CD สนับสนุนลงในหน่วยดิสก์ไดรฟ์ และทำตามขั้นตอนบนหน้าจอเพื่อทำการติดตั้งให้สมบูรณ์
2. กำหนดค่า PCE-N53 ด้ยขีพยู่ทลด์ ASUS
2.1 เชื่อมต่อไปยังเครือข่ายไร้สายแบบแมนูเอล
2.2 เชื่อมต่อไปยังเครือข่ายไร้สายอัตโนมัติ WPS
2.3 สลับไปยังโหมดซอฟต์แวร์ AP

Türkçe

- 1. Destek CD'sini optik sürücüyeye takın ve kurulumu tamamlamak için ekran üzerindeki talimatları izleyin.
2. ASUS programını kullanarak PCE-N53'ü yapılandırın.
2.1 Kablosuz bir ağa manuel bağlanın.
2.2 Kablosuz bir ağa WPS kullanarak bağlanın.
2.3 Soft AP moduna geçin.

繁體中文

- 1. 將驅動程式與應用程式光碟放入光碟機中，接著依照螢幕上的說明完成安裝。
2. 使用華碩應用程式設定 PCE-N53。
2.1 手動連線到一個無線網路。
2.2 使用 WPS 連線到一個無線網路。
2.3 切換到軟體基地台模式 (Windows XP/Vista/7)。

簡中

- 1. 将驱动程序与应用程序光盘放入光驱中，接着依照屏幕上的说明完成安装。
2. 使用华硕应用程序设置 PCE-N53。
2.1 手动连接到一个无线网络。
2.2 使用 WPS 连接到一个无线网络。
2.3 切换到软 AP 模式 (Windows XP/Vista/7)。

한국어

- 1. 지원 CD를 옵티컬 드라이브에 삽입하고 설치를 완료하기 위해 화면 상의 지시를 따르십시오.
2. ASUS 유틸리티를 이용하여 PCE-N53을 설정하기.
2.1 무선 네트워크를 수동으로 연결하십시오.
2.2 WPS를 이용하여 무선 네트워크에 연결하십시오.
2.3 Soft AP 모드로 전환하십시오 (Windows XP/Vista/7).

日本語

- 1. サポートCDを光学ドライブに挿入し、画面の指示に従ってインストールを実行します。
2. インストールされたASUSユーティリティを使用し、PCE-N53の設定を行います。
2.1 手動で無線ネットワークに接続する。
2.2 WPSで無線ネットワークに接続する。
2.3 ソフトAPモードに切り替えて接続する。(Windows XP/Vista/7)

Federal Communications Commission Statement

This device complies with Part 15 of the FCC Rules. Operation is subject to the following two conditions:

- This device may not cause harmful interference.
- This device must accept any interference received, including interference that may cause undesired operation.

This equipment has been tested and found to comply with the limits for a class B digital device, pursuant to Part 15 of the FCC Rules. These limits are designed to provide reasonable protection against harmful interference in a residential installation.

This equipment generates, uses and can radiate radio frequency energy and, if not installed and used in accordance with the instructions, may cause harmful interference to radio communications. However, there is no guarantee that interference will not occur in a particular installation. If this equipment does cause harmful interference to radio or television reception, which can be determined by turning the equipment off and on, the user is encouraged to try to correct the interference by one or more of the following measures:

- Reorient or relocate the receiving antenna.
- Increase the separation between the equipment and receiver.
- Connect the equipment into an outlet on a circuit different from that to which the receiver is connected.
- Consult the dealer or an experienced radio/TV technician for help.

If this device is going to be operated in 5.15 ~ 5.25GHz frequency range, then it is restricted in indoor environment only.



CAUTION: Any changes or modifications not expressly approved by the party responsible for compliance could void the user's authority to operate the equipment.

Prohibition of Co-location

This device and its antenna(s) must not be co-located or operating in conjunction with any other antenna or transmitter.

FCC Radiation Exposure Statement

This equipment complies with FCC radiation exposure limits set forth for an uncontrolled environment. This equipment should be installed and operated with minimum distance 20cm between the radiator and your body.

CE Mark Warning

This is a Class B product, in a domestic environment, this product may cause radio interference, in which case the user may be required to take adequate measures.

Operation Channels: Ch1~11 for N. America, Ch1~14 Japan, Ch1~13 Europe (ETSI)

IC Warning Statement

Under Industry Canada regulations, this radio transmitter may only operate using an antenna of a type and maximum (or lesser) gain approved for the transmitter by Industry Canada. To reduce potential radio interference to other users, the antenna type and its gain should be so chosen that the equivalent isotropically radiated power (e.i.r.p.) is not more than that necessary for successful communication.

This radio transmitter(IC: 3568A-PCEN53) has been approved by Industry Canada to operate with the antenna types listed below with the maximum permissible gain and required antenna impedance for each antenna type indicated. Antenna types not included in this list, having a gain greater than the maximum gain indicated for that type, are strictly prohibited for use with this device.

This Class [B] digital apparatus complies with Canadian ICES-003.

Cet appareil numérique de la classe [B] est conforme à la norme NMB-003 du Canada.

For product available in the USA/Canada market, only channel 1~11 can be operated. Selection of other channels is not possible.

IC Radiation Exposure Statement:

This equipment complies with IC RSS-102 radiation exposure limits set forth for an uncontrolled environment. This equipment should be installed and operated with minimum distance 20cm between the radiator & your body.

Operation is subject to the following two conditions: (1) this device may not cause interference, and (2) this device must accept any interference, including interference that may cause undesired operation of the device.

REACH

Complying with the REACH (Registration, Evaluation, Authorisation, and Restriction of Chemicals) regulatory framework, we published the chemical substances in our products at ASUS REACH website at <http://csr.asus.com/english/REACH.htm>.

Hot Products



RT-N66U

- 2.4 GHz and 5 GHz Concurrent Dual-Band Transmissions for Strong Signal Strength and Ultra-Fast Connection Rates up to 900Mbps
- Gigabit Ethernet Ports for the Fastest, Most Reliable Internet Performance
- Download Master for Wireless Data Storage and Access to Router-Connected USB Storage Devices
- Expanded Wireless Coverage with Detachable High-Powered Antennas
- File Sharing, Printer Sharing, and 3G Sharing via Two Multi-Functional Built-in USB Ports
- ASUSWRT Dashboard UI for Easy Setup, Signal Monitoring, and Network Application Control



EA-N66

- Powerful Dual-band 3x3 Ethernet Adapter Delivers Extreme 450Mbps Wi-Fi Speed
- Selectable 2.4GHz/ 5GHz Dual-band Reduces Wi-Fi Interference for HD Multimedia
- Patent Orthogonal Antenna Design for Best Wi-Fi Coverage
- 3-in-1 Function: Ethernet Adapter, Universal Repeater, and AP Mode
- Quick and Easy Setup with ASUS New UI



DSL-N55U

- Integrated home gateway with independent CPUs for modem and router
- Dual-band Wi-Fi delivers up to 600Mbps in bandwidth
- 4x Gigabit Ethernet ports provide enhanced wired network performance
- Auto-detecting ADSL connection with CD/manual-free setup
- Finest P2P experience via 300,000 concurrent data sessions
- File sharing, printer sharing, and iPad charging using multi-functional twin USB ports



RT-N56U

- Concurrent Dual Band - Two 300Mbps Wireless-N networks at one time
- Dual-band for lag-free entertainment
- Gigabit Ethernet Ports for the Fastest, Most Reliable Internet Performance
- 5X faster gigabit internet surfing with hardware NAT
- File Sharing, Printer Sharing, and 3G Sharing via Two Multi-Functional Built-in USB Ports
- Powerful Online Multitasking at up to 300,000 Data Sessions



RT-N53

- Concurrent Dual Band - Two 300Mbps Wireless-N networks at one time
- Guest Network Access - Four separated wireless networks on the 2.4GHz band with customized security and access restrictions
- Easy Universal Repeater - Extend your Parent AP in the fastest and most intuitive way.
- Clever Wall-mount Design
- Parental Control - Control your kids' computer time

Manufacturer

ASUSTeK Computer Inc.
Tel: +886-2-2894-3447
Address: No. 150, LI-TE RD., PEITOU, TAIPEI 112, TAIWAN

Authorised representative in Europe

ASUS Computer GmbH
Address: HARKORT STR. 21-23, D-40880 RATINGEN, DEUTSCHLAND

Authorised distributors in Turkey

BOGAZICI BIL GISAYAR SAN. VE TIC. A.S.
Tel: +90 212 3311000
Address: AYAZAGA MAH. KEMERBURGAZ CAD. NO.10 AYAZAGA/ISTANBUL

CIZGI Elektronik San. Tic. Ltd. Sti.
Tel: +90 212 3567070
Address: CEMAL SURURI CD. HALIM MERIC IS MERKEZI
No: 15/C D:5-6 34394 MECIDIYEKOY/ISTANBUL

EEE Yönetmeliğine Uygundur.