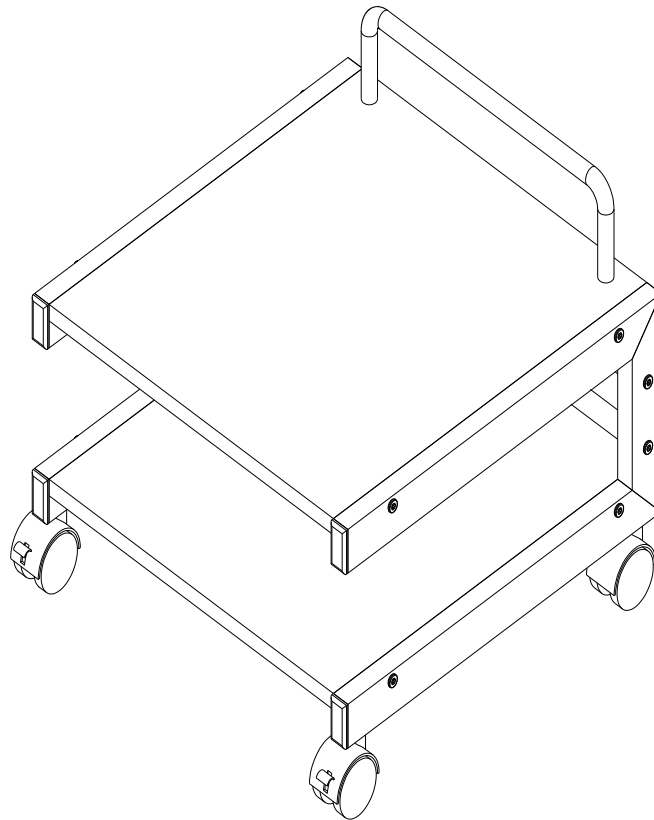




BLT-27501

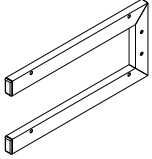
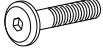
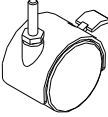
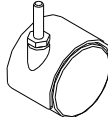


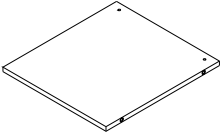
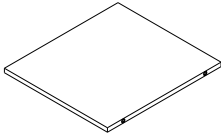
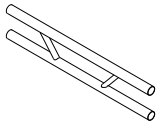
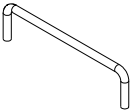
Low Laser Stand W/Paper Shelf



Assembly Instructions

BLT-27501

Low Laser Stand W/Paper Shelf

Part	Drawing	Description	Qty	Part	Drawing	Description	Qty
P1		Leg Frame	2 EA	Hardware List A  1-5/8" Socket Screw 14 EA B  Locking Caster 1-1/2" 2 EA C  Caster 1-1/2" 2 EA D  Allen Wrench 1 EA E  Caster Wrench 1 EA			
P2		Upper Shelf Platform	1 EA				
P3		Bottom Platform	1 EA				
P4		Stability Brace	1 EA				
P5		Handle	1 EA				

We recommend that you assemble this unit on a table.

Missing Parts or UPS Damaged Parts

For Your Convenience you can
EMAIL us at

support@moorecoinc.com

24HOURS 7 DAYS A WEEK

Should you require assistance during assembly,

please call our Customer Service Department

Monday - Friday 8 a.m. - 5 p.m.

Central Standard Time 1-800-749-2258

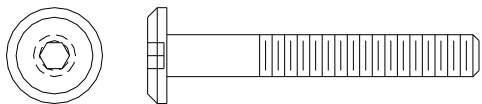
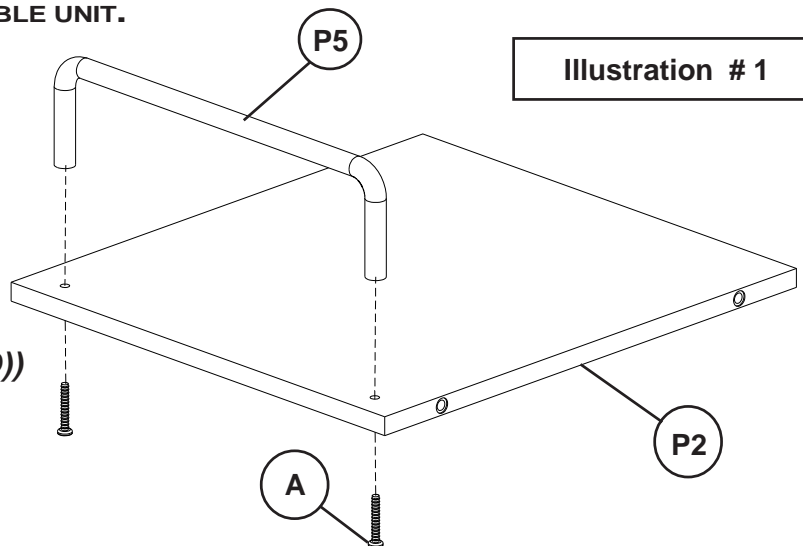
Do not use unless all screws are tight. At least every six months, check all screws to be sure they are tight. If parts are missing, broken, damaged, or worn, stop use of the product until repairs are made by your dealer using factory authorized parts.

Low Laser Assembly Diagram

READ THROUGH INSTRUCTIONS FROM BEGINNING TO END **BEFORE** STARTING TO ASSEMBLE UNIT.

- 1.) Identify and Separate all the Parts and Hardware.
- 2.) Attach Handle (P5) to the Upper shelf Platform (P-2) using 2 each (A) screws as shown in illustration # 1.

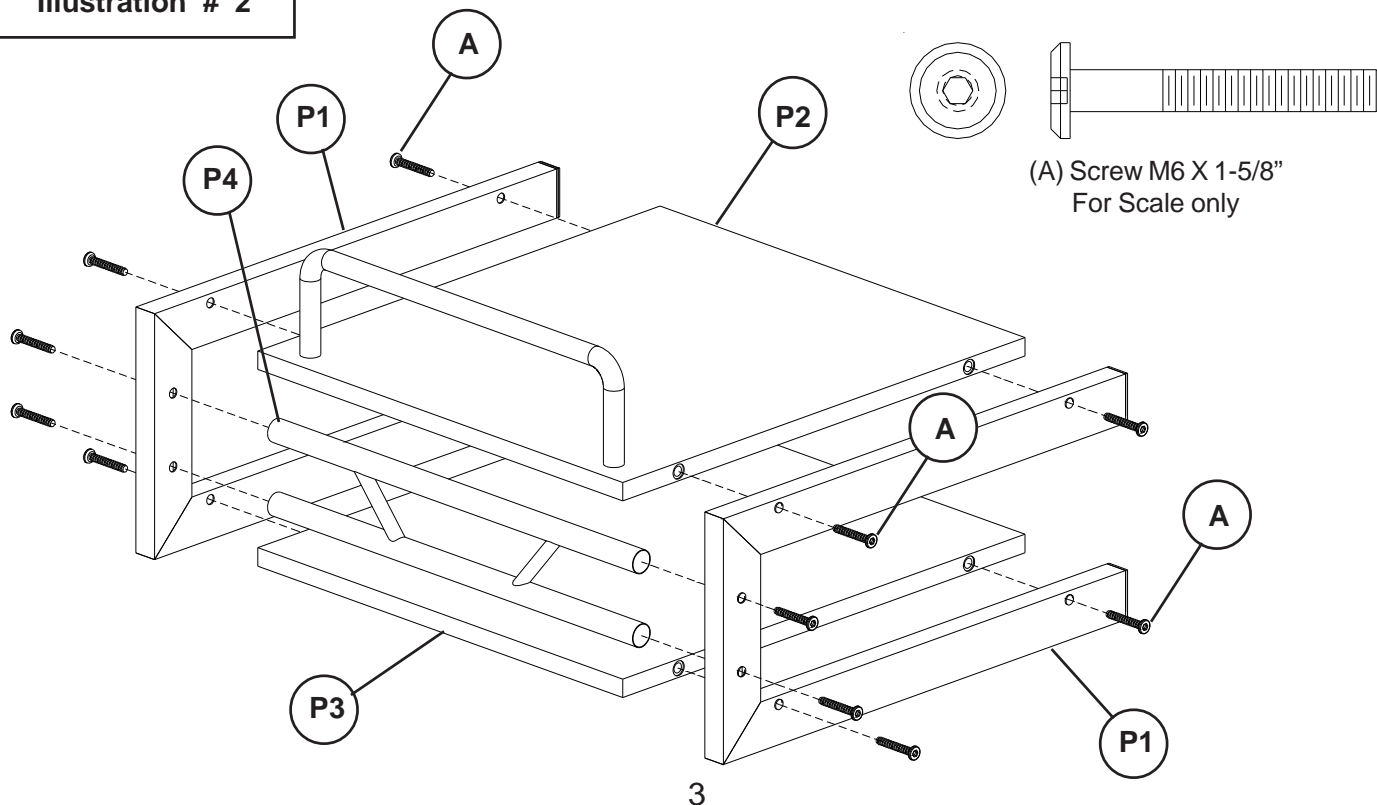
(Tighten screws using Allen Wrench (D))



(A) Screw M6 X 1-5/8"
For Scale only

- 3.) Attach the 2 each Leg Frames (P-1) to the Upper Shelf Platform (P2), the Lower Shelf Platform (P3), and the Stability Brace (P-4) using 12 each (A) screws as shown in illustration # 2. **(Finger tighten only)**

Illustration # 2

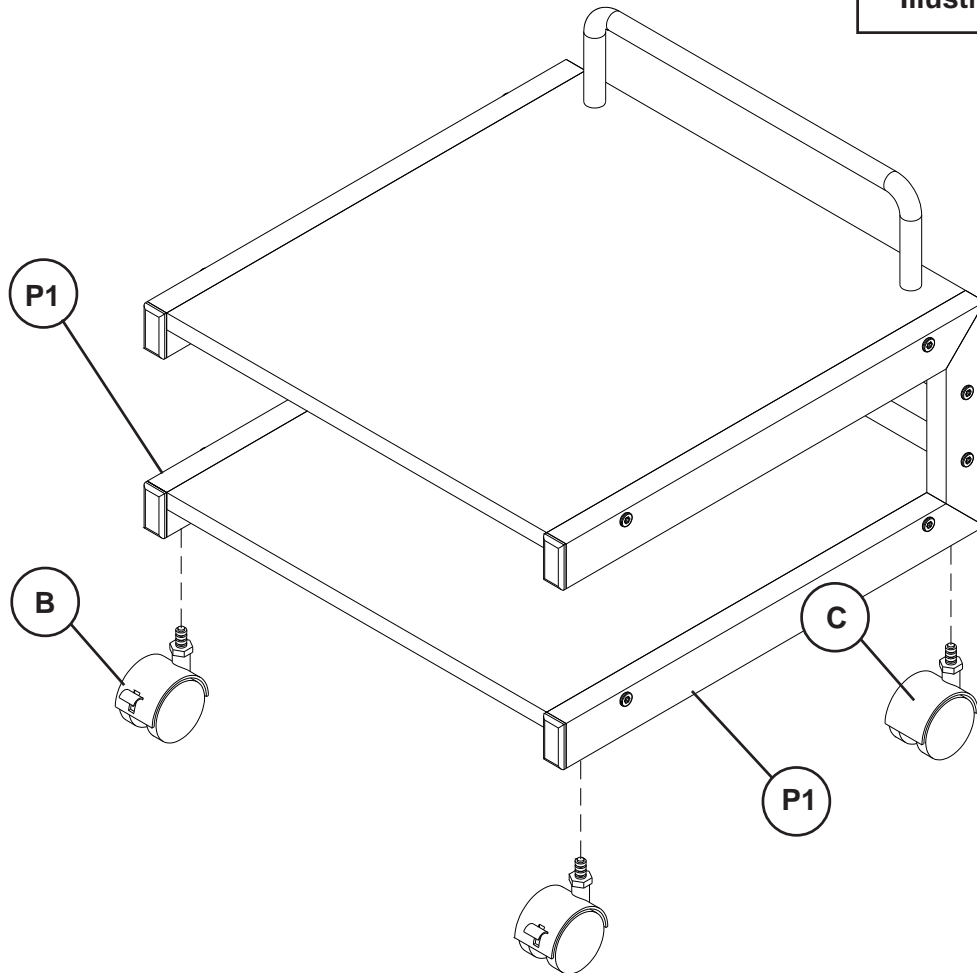


(A) Screw M6 X 1-5/8"
For Scale only

4.) Attach 2 Locking Casters (B) to the front, and 2 Casters (C) to the back of the unit. Tighten all Casters using Caster Wrench (E).

5.) Tighten all socket head screws using allen wrench (D).

Illustration # 2



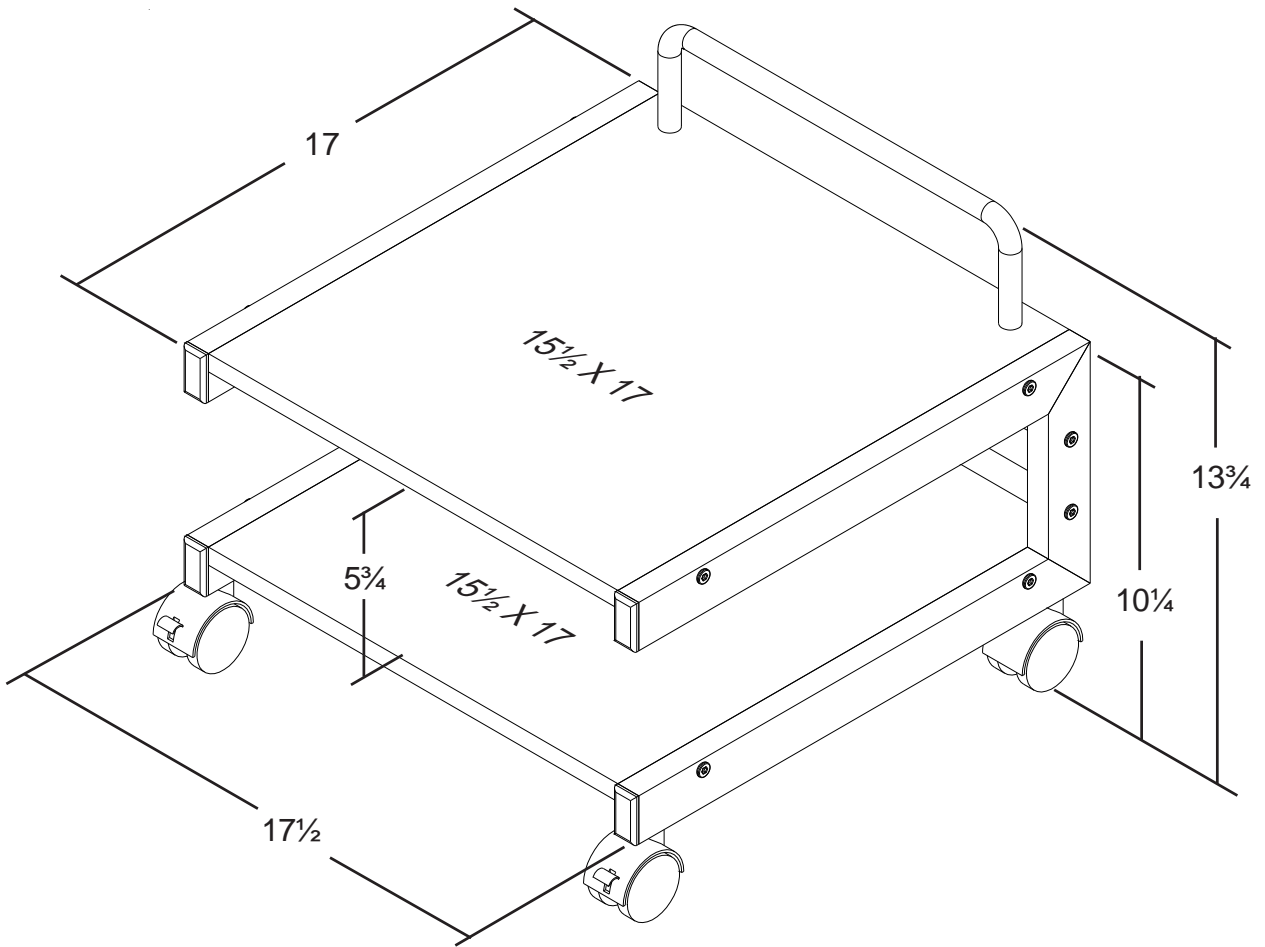
Important

The Balt product you have purchased is guaranteed against material and workmanship defects. This guarantee extends 1 year from date of purchase. Should this product fail to function satisfactorily under normal use due to defect or imperfection, the defective part or product will be replaced. Damage caused by common carriers during shipment is not included in this guarantee.

This guarantee sets forth all applicable guarantees and remedies. No other warranty, expressed or implied shall apply. Failure to follow instructions found in Important Information Section of Owner Sheet shall void the guarantee. Consequential or incidental damages and or costs are not refundable.

27501-Low Laser Stand

For more information
1-800-749-2258



Shipping Information

1.0 Cubic Feet

17.5 lbs.

