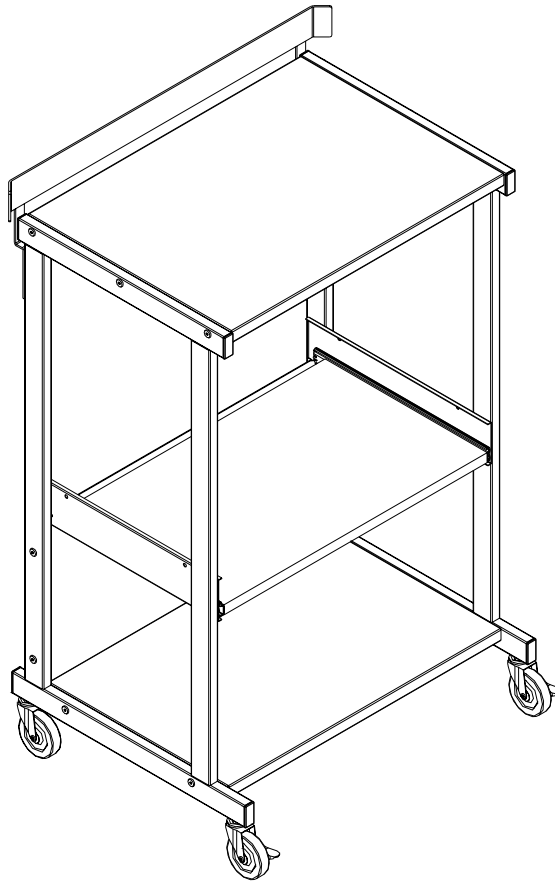




#25983 MAX-STAX

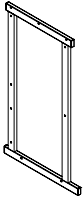
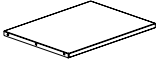

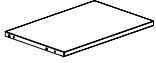



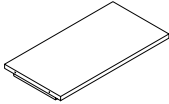
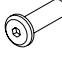
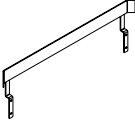







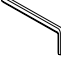


Dual-Level Printer/Fax Stand
w/Roll-out Shelf



Assembly Instructions

#25983 Max-Stax

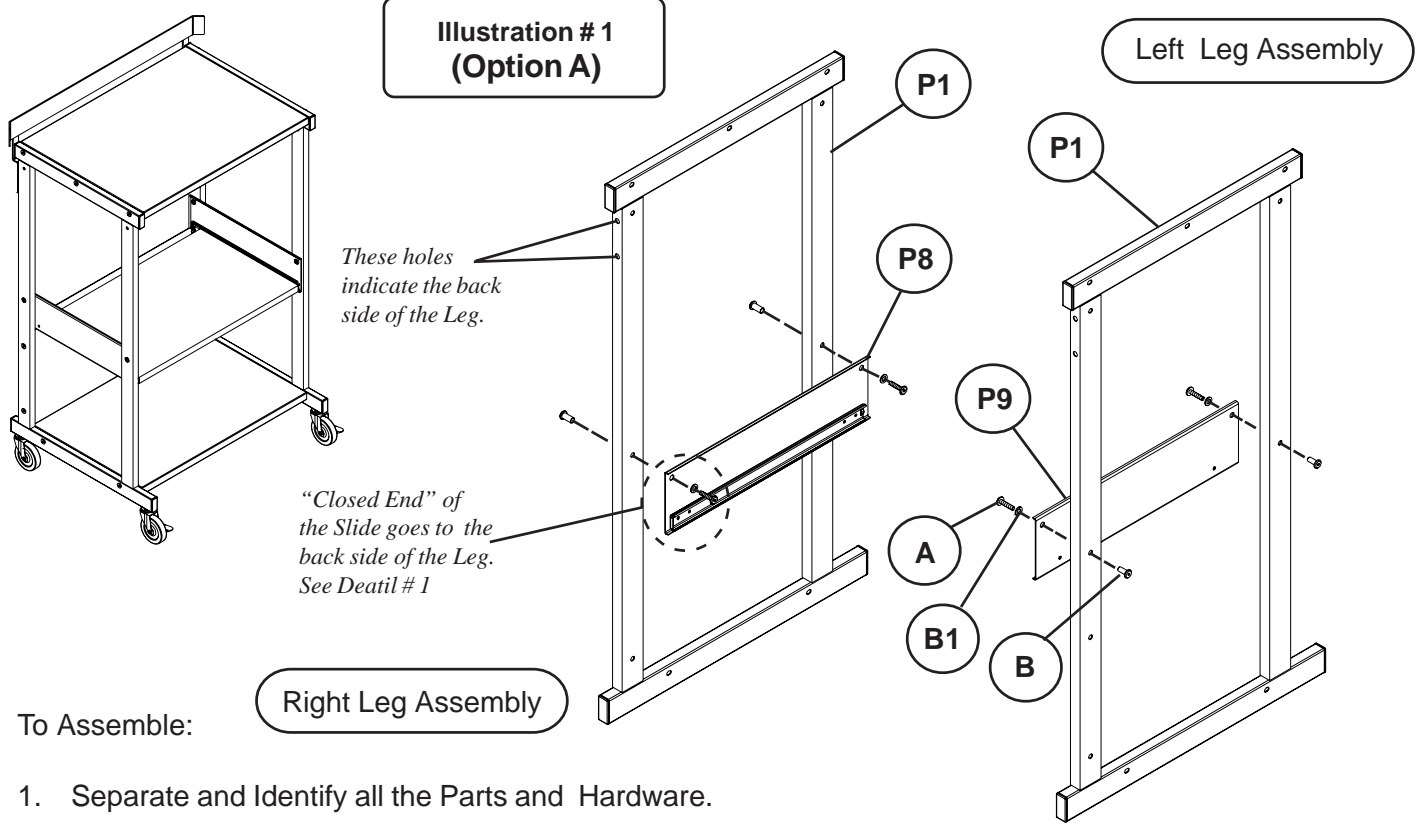
Dual Level Printer/Fax Stand

Part	Drawing	Description	Qty	Part	Drawing	Description	Qty
P1		Leg	2 EA	Hardware List			
P2		Top Panel	1 EA	A		9/16" Flat Head Screw	10 EA
P3		Bottom Shelf	1 EA	A1		1-1/4" Flat Head Screw	14 EA
P4		Stability Panel	1 EA	A2		Long Screw	4 EA
P5		Roll-Out Shelf	1 EA	B		Threaded Post	4 EA
P6		Security Rail	1 EA	B1		Flat Washer	4 EA
P7		Shelf Rail	1 EA	C		Square Nut	14 EA
P8		Right Slide Bracket	1 EA	D		3" Locking Caster (for front)	2 EA
P9		Left Slide Bracket	1 EA	E		3" Caster (for Back)	2 EA
				F		Allen Wrench	1 EA
				G		Caster Wrench	1 EA
				H		Inner Slide	2 EA
				Tools required: Phillips Head Screw Driver			

READ THROUGH INSTRUCTIONS FROM BEGINNING TO END BEFORE STARTING TO ASSEMBLE UNIT.

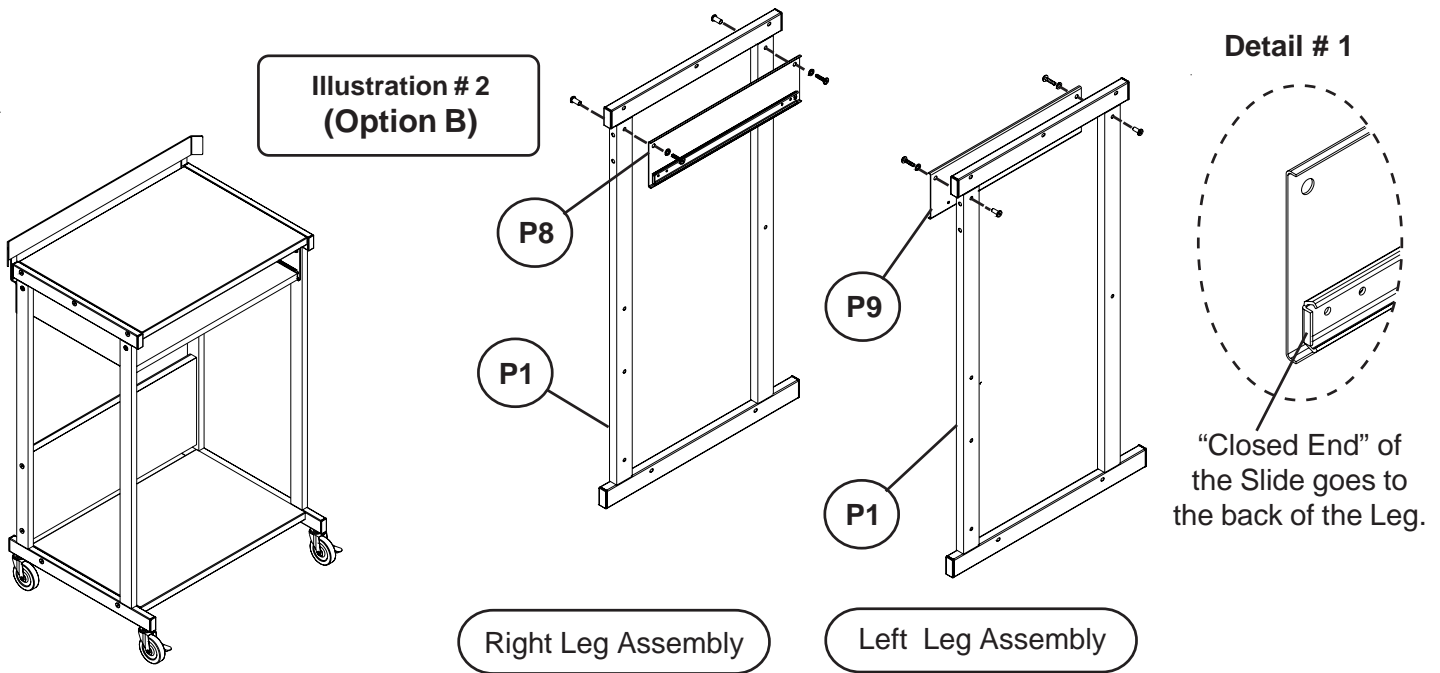
Do not use unless all screws are tight. At least every six months, check all screws to be sure they are tight. If parts are missing, broken, damaged, or worn, stop use of the product until repairs are made by your dealer using factory authorized parts.

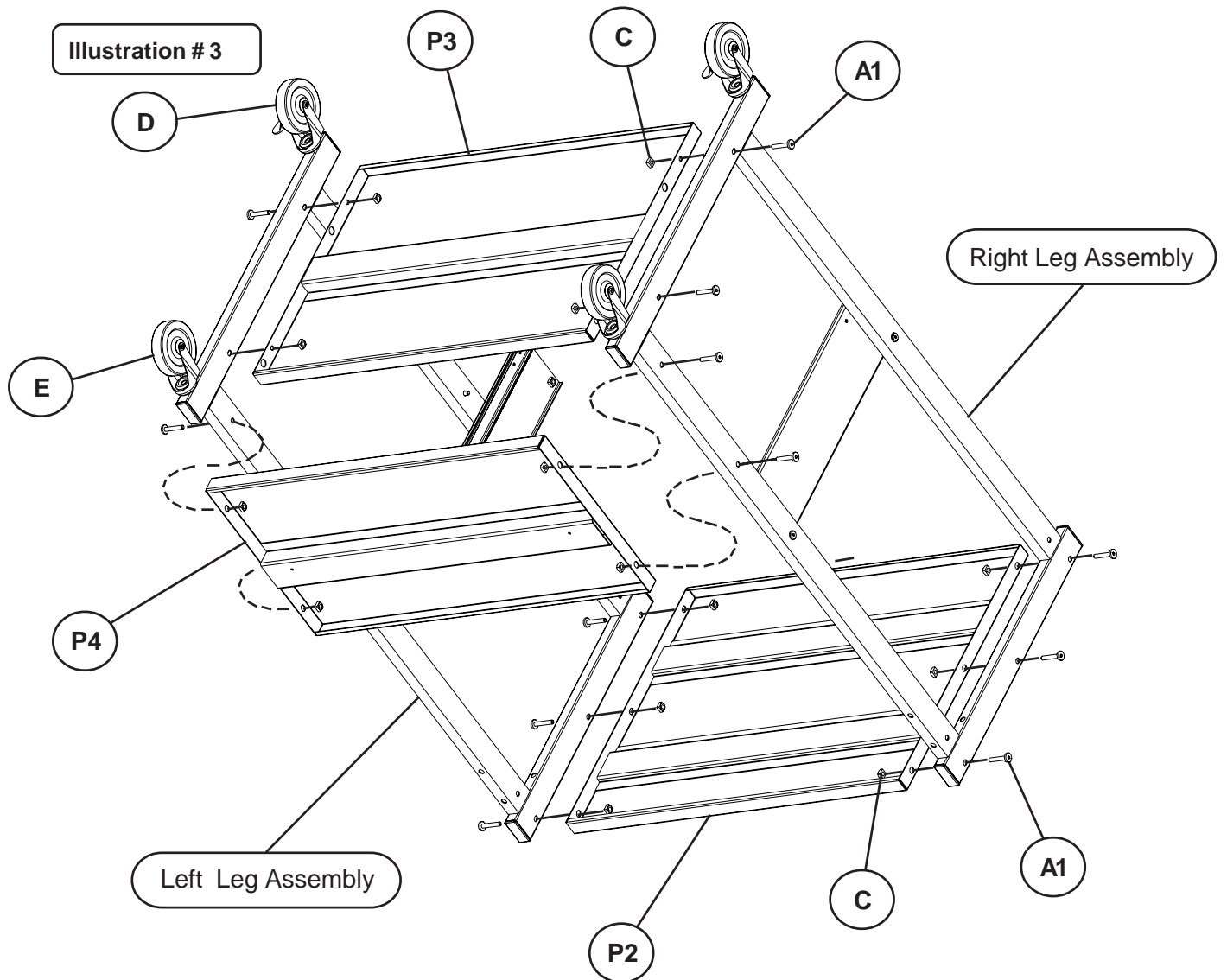
#25983 Max-Stax Assembly Diagram



To Assemble:

1. Separate and Identify all the Parts and Hardware.
2. Attach Right Slide Bracket (P8) to Leg (P1), and Left Slide Bracket (P9) to the other Leg (P1) using 4 (9/16”) Flat Head Screws (A), 4 Flat Washers (B1) and 4 Threaded Posts (B) as shown in illustration # 1 (Option A) or Illustration # 2 (Option B).





3. Place Top Panel (P2) upside down on floor or table and attach Right and Left Leg Assemblies using 6 (1¼") Flat Head Screws (A1) and 6 Square nuts (C) as shown in illustration # 3.
4. Attach Stability Panel (P4) to the Right and Left Leg Assemblies using 4 (1¼") Flat Head Screws (A1) and 4 Square nuts (C).
5. Attach Bottom Shelf (P3) to the Right and Left Leg Assemblies using 4 (1¼") Flat Head Screws (A1) and 4 Square nuts (C).
6. Attach 2 Locking Casters (D) to the front, and 2 Casters (E) to the back of the unit. Tighten all Casters using Caster Wrench (G).

***Should you require assistance during assembly, please call our
Customer Service Department Monday - Friday 8 a.m. - 5 p.m. Central Standard Time
Toll-Free Customer Service - 1-800-749-2258***

Illustration # 4

- Attach 2 Inner slides (H) to the Roll-Out Shelf (P5) using 4 Long screws (A2).
- Attach Shelf Rail (P7) to the Roll-Out Shelf (P5) using 2 Flat Head Screws (A) as shown in illustration # 4.

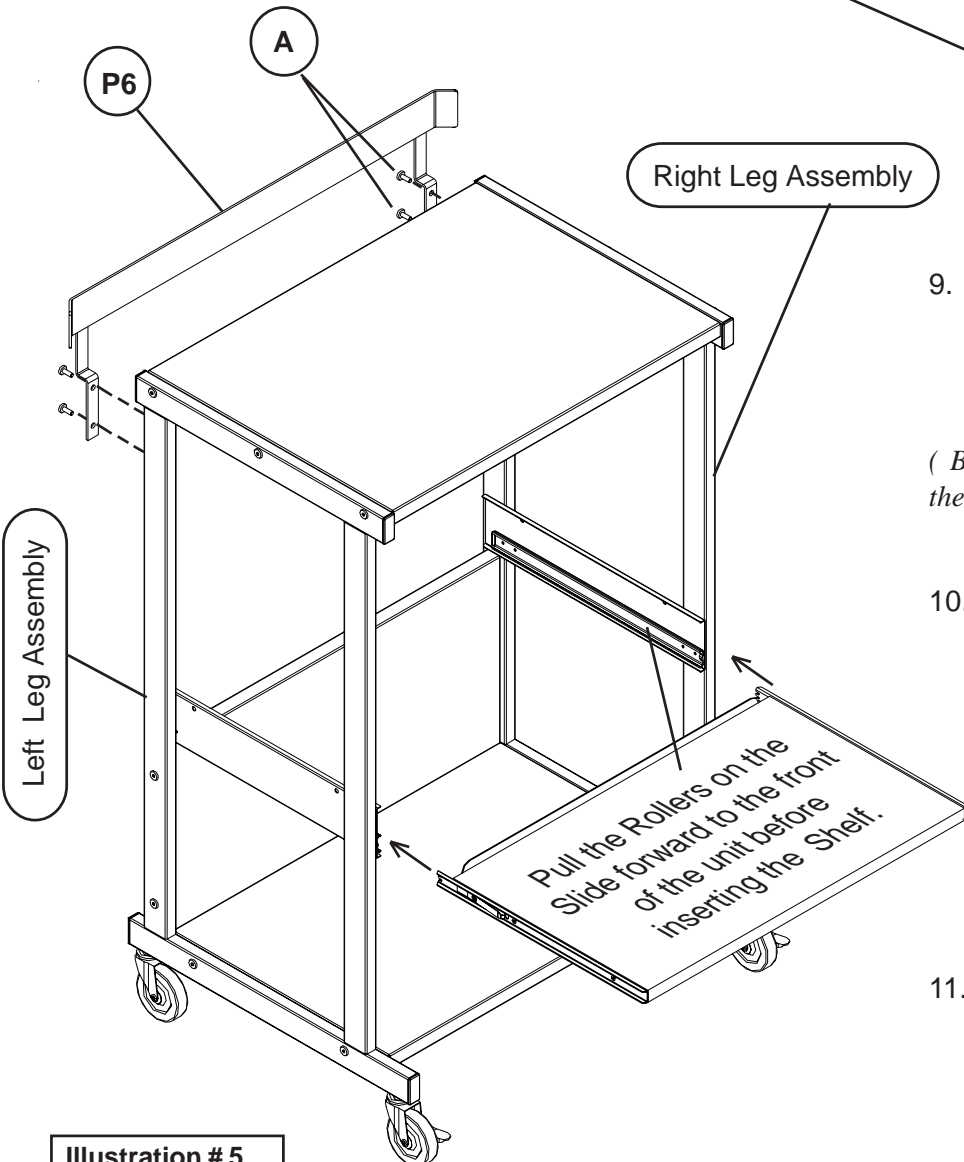
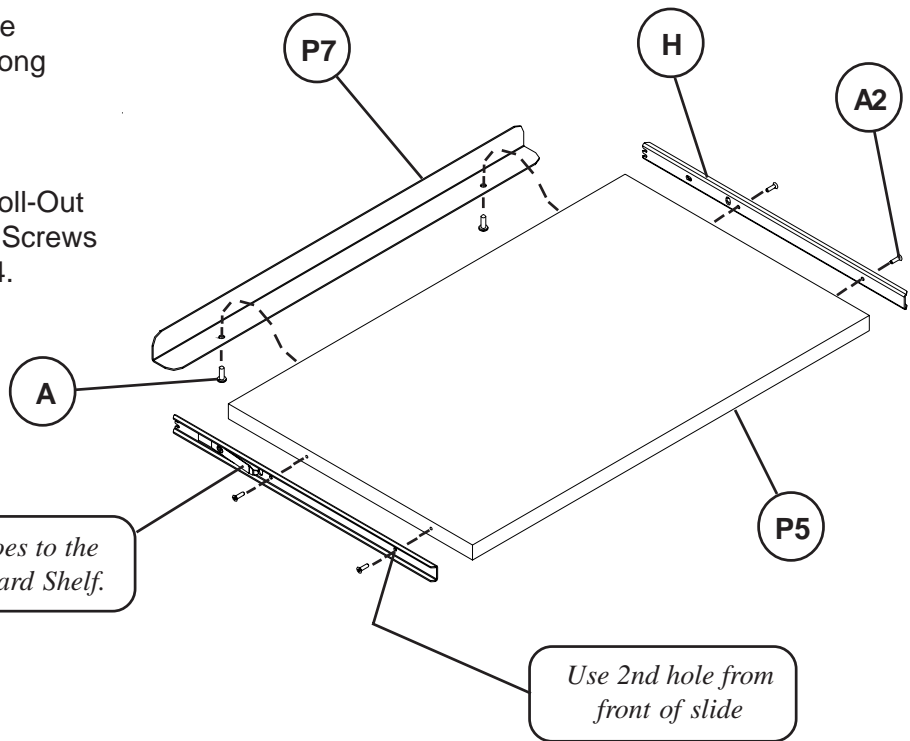


Illustration # 5

- Insert Roll-Out Shelf Assembly into the 'Slides' on the Right and Left Leg assemblies as shown in illustration # 5.
(Before inserting Shelf assembly, pull the 'Rollers' to the front of the slide.)
- Attach Security Rail (P6) to the Right and Left Leg assemblies using 4 Flat Head Screws (A) as shown in illustration # 5.
- Tighten all screws securely.

MAX-STAX

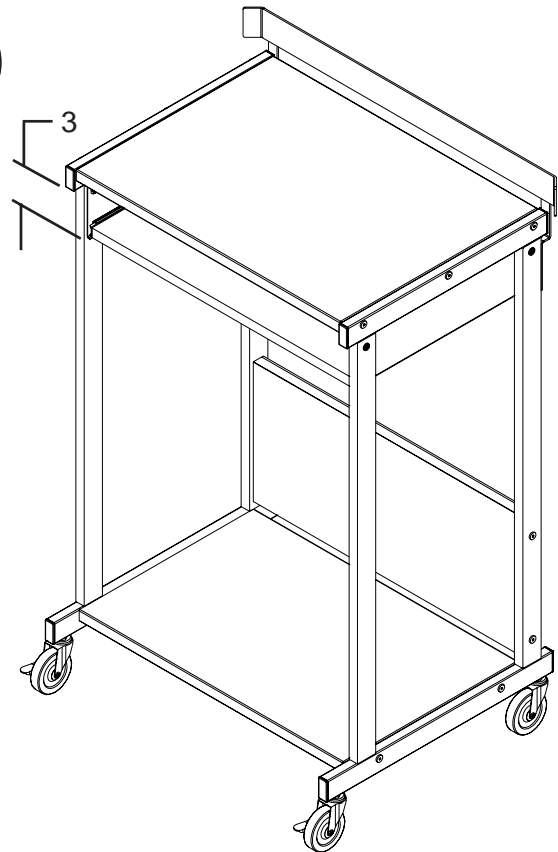
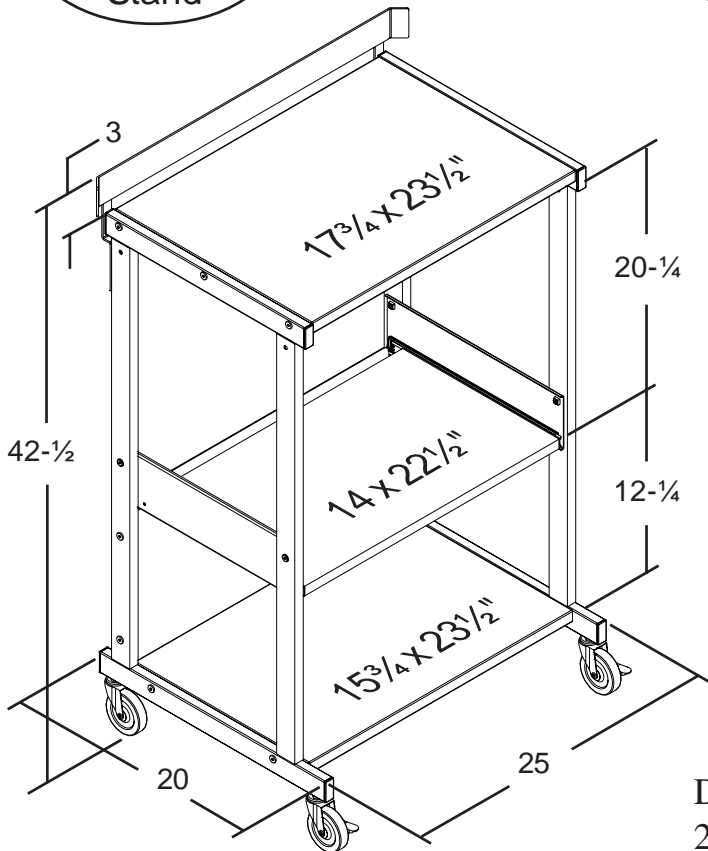
Dual-Level Printer/Fax Stand w/Roll-out Shelf

BALT[®]

For more information
1-800-749-2258

Multiple
Printer / Fax
Stand

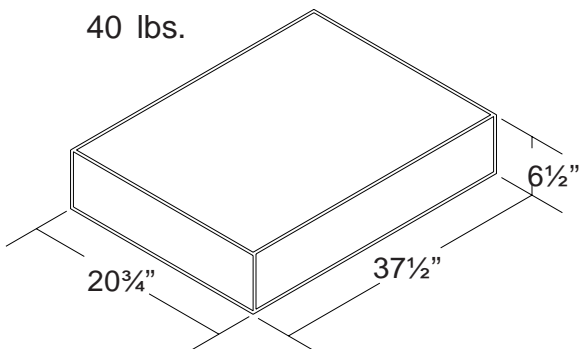
Mini-LAN
Server



Shipping Information

3.0 Cubic Feet

40 lbs.



Designed to accommodate 2 Fax Machines,
2 Printers or a combination of both.

Middle Shelf rolls out to provide easy access to
fax machine or printer.

Security rails on both shelves prevent equipment
from sliding off the back.

Bottom shelf provides storage space for paper or
other accessories.

Includes 2" Casters for mobility.
Available in gray w/gray frame.

Ships UPS.

maxstaxsm.pm6 - 06/14/00