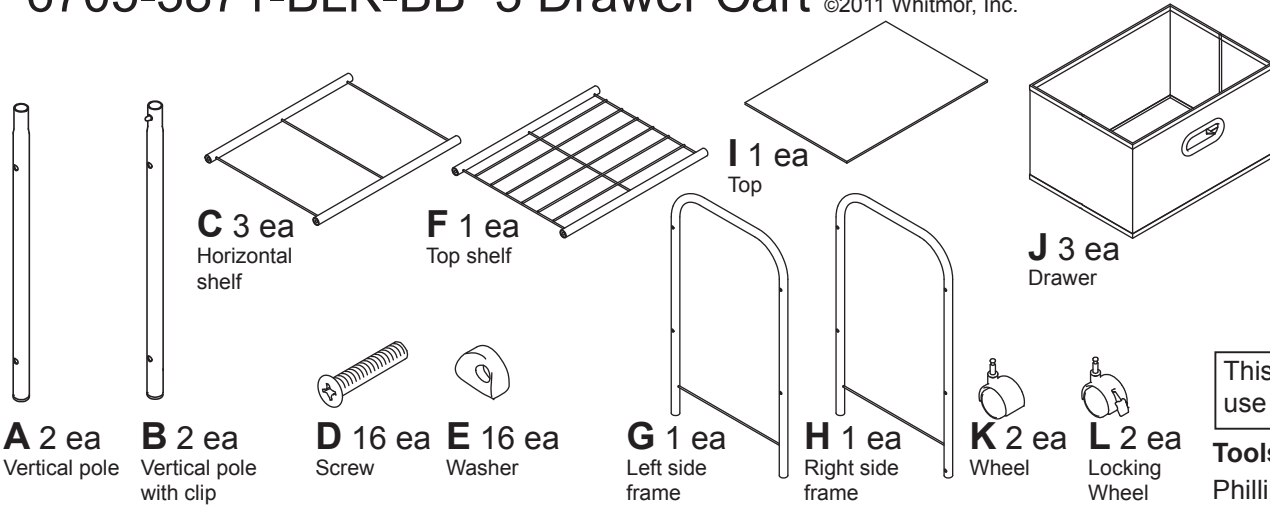


6705-3871-BLK-BB 3 Drawer Cart ©2011 Whitmor, Inc.



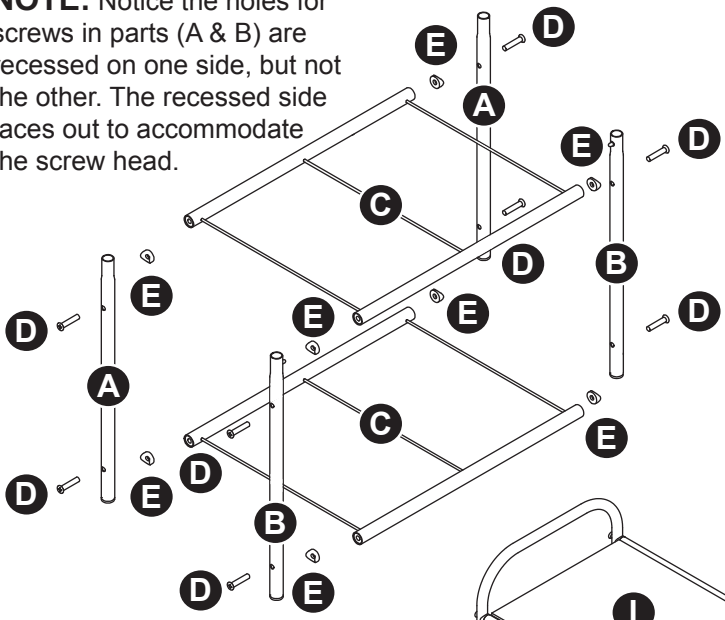
Assembly Time:
Less than 30 minutes.

This product's intended use is for storage.

Tools Needed:
Phillips screwdriver

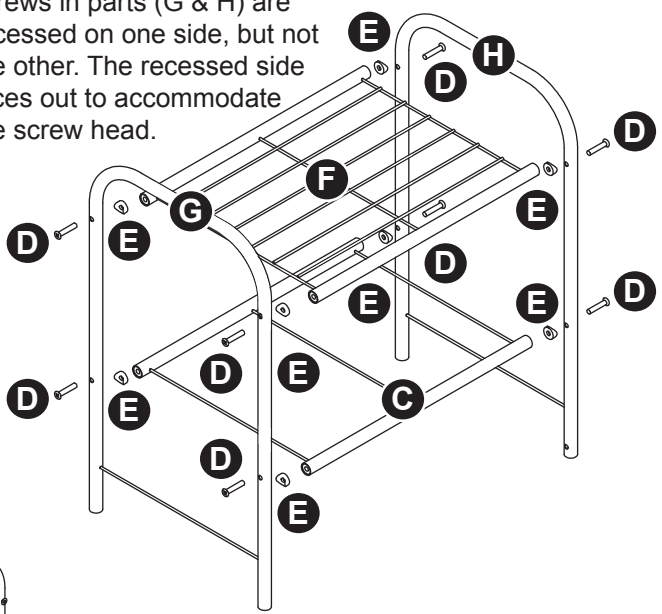
STEP 1. Starting with the bottom section, attach vertical poles (A & B) to two horizontal shelves (C) using screws (D) and placing washers (E) between poles and shelf.

NOTE: Notice the holes for screws in parts (A & B) are recessed on one side, but not the other. The recessed side faces out to accommodate the screw head.

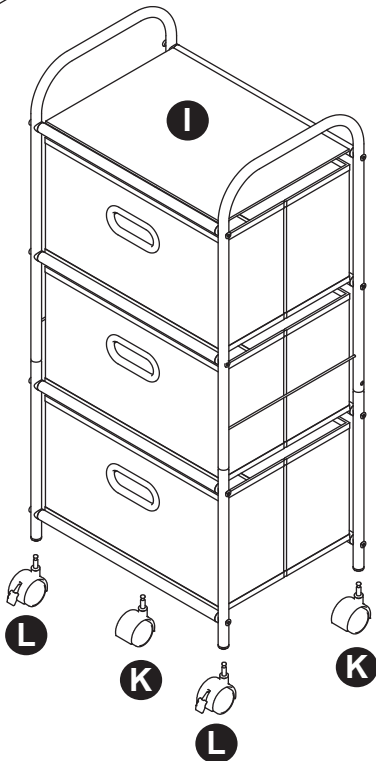


STEP 2. Assemble top section by attaching left and right side frames (G & H) to top shelf (F) and remaining horizontal shelf (C). Use screws (D) and place washers (E) between side frames and shelves.

NOTE: Notice the holes for screws in parts (G & H) are recessed on one side, but not the other. The recessed side faces out to accommodate the screw head.



STEP 3. With frame assembled, insert wheels (K & L). Place top (I) on top shelf. Assemble drawers (J) by unfolding and placing bottoms into drawers. Place drawers onto shelves. Assembly is now complete.



Part	Reference	Part	Reference
A	F7258	G	F7264
B	F7259	H	F7265
C	F7260	I	F7266
D	F7261	J	F7267
E	F7262	K	F7268
F	F7263	L	F7269



8680 Swinnea Road • Suite 103 • Southaven, MS • 38671

NEED HELP? For help with assembly, or if you are missing a part, please call Whitmor's Customer Service Department, 1-888-944-8667 between 8 a.m. and 4:30 p.m. (Central Standard Time) Monday through Friday. Or email: customer_service@whitmor.com. Visit us online at www.whitmor.com