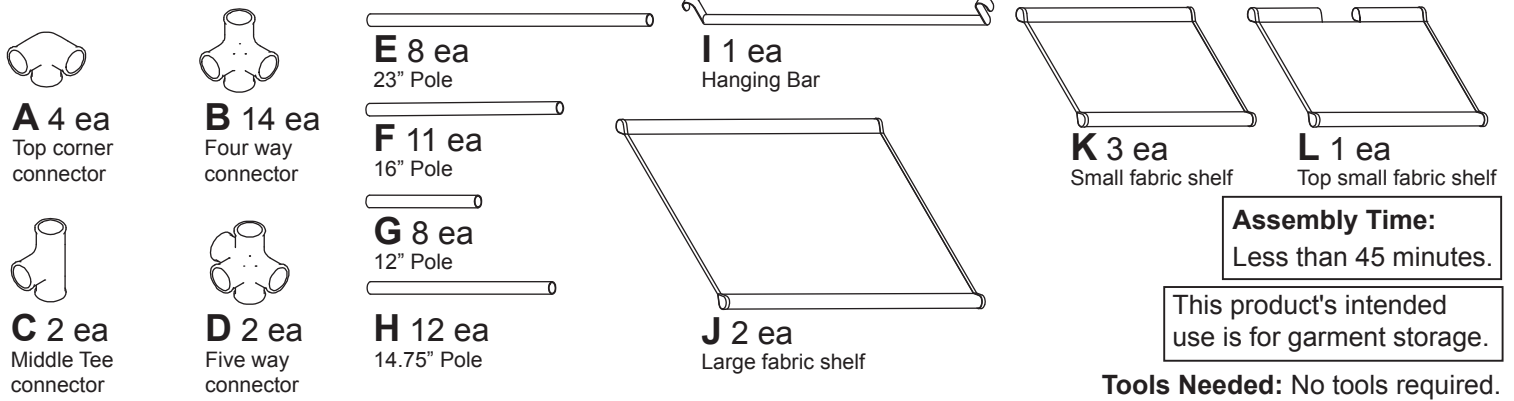


6170-4297 Spacemaker® Garment Rack & Shelves ©2012 Whitmor, Inc.



Assembly Time:
Less than 45 minutes.

This product's intended use is for garment storage.

Tools Needed: No tools required.

STEP 1. Starting at the bottom assemble appropriate parts for bottom section according to the drawing shown.

STEP 2. Build up from the bottom and assemble middle section according to the drawing shown.

STEP 3. Assemble top section according to the drawing shown and place onto middle section.

NOTE: Make sure to install fabric shelves onto poles before closing the connection at both ends.

NOTE: Insert all plastic parts firmly and securely.

Part	Reference
A	F7560
B	F7561
C	F7562
D	F7563
E	F7564
F	F7565
G	F7566
H	F7567
I	F7568
J	F7569
K	F7570
L	F7571



8680 Swinnea Road • Suite 103 • Southaven, MS • 38671

NEED HELP? For help with assembly, or if you are missing a part, please call Whitmor's Customer Service Department, 1-888-944-8667 between 8 a.m. and 4:30 p.m. (Central Standard Time) Monday through Friday. Or email: customer_service@whitmor.com. Visit us online at www.whitmor.com