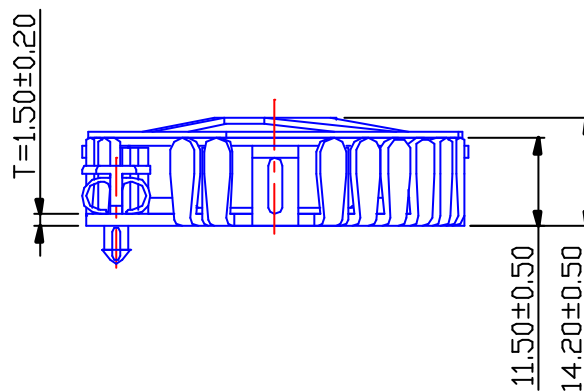
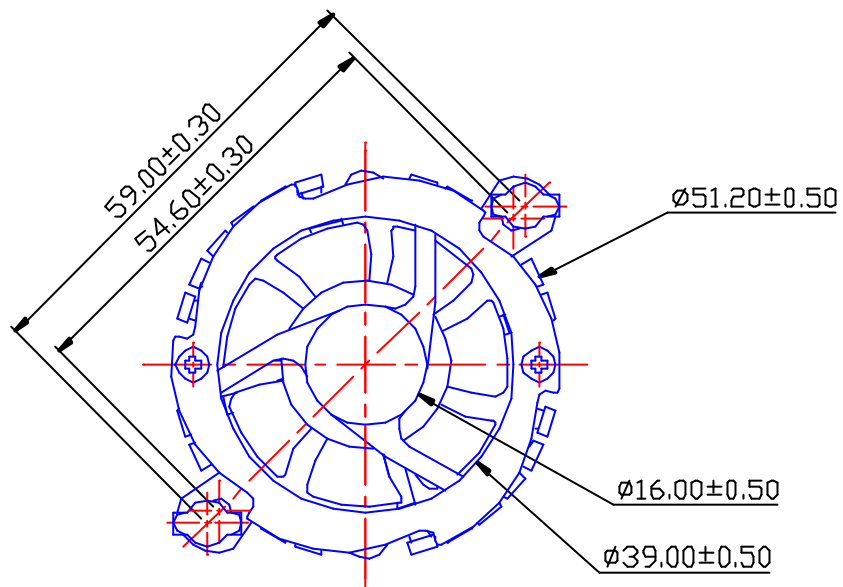


## MODEL NO.: CCB-A1C

Heat Sink Material	C1100	<b>Note:</b> 1. Heat Sink Material: Copper 2. Thermal Interface: Thermal Grease 3. Wire Length: 200mm 4. Wire Type: 1. Black 2. Red 5. Connector Type: 2510-3P
Heat Sink Dimension	51.2x59.0x11.5 (mm)	
Fan Dimension	40.0x40.0x10.0 (mm)	
Out Line Dimension	51.2x59.0x14.2 (mm)	
Clip	CLCS04	
Clip Material	NyLon 66	
Weight	52.0 (gm)	
Bearing Type	Ball Bearing	



43185 Osgood Road Fremont, CA 94539  
 Tel/510.668.0368 Fax/510.668.03 67  
[www.vantecusa.com](http://www.vantecusa.com)