




32" LED TV

User Manual

 Congratulations on your new UPSTAR 32" LED HDTV purchase. Thank you for your support. To ensure safety and many years of trouble free operation of your TV, please read the manual carefully before making any adjustments, and keep them in a safe place for future references. We hope you enjoy your new UPSTAR HDTV.

Safety Precautions

WARNING: TO REDUCE THE RISK OF FIRE OR ELECTRIC SHOCK,
DO NOT EXPOSE THIS PRODUCT TO RAIN OR MOISTURE

WARNING :

FCC regulations state that any unauthorized changes or modifications to this equipment not expressly approved by the manufacturer could void the user's authorith to operate this equipment.

WARNING :

This equipment is a Class II or double insulated electrical appliance. It has been designed in such a way that it does not require a safety connection to electrical earth.



CAUTION

RISK OF ELECTRIC SHOCK
DO NOT OPEN



AVIS

RISQUE CH OC ELECTRIQUE NE
PAS OUVRIR

CAUTION: TO REDUCE THE RISK OF ELECTRIC SHOCK
DO NOT REMOVE COVER (OR BACK)
NO USER-SERVICEABLE PARTS INSIDE
FREE SERVICING TO QUALIFIED SERVICE PERSONNEL.



The lightning flash with arrow-head symbol, within an equilateral triangle, is intended to alert the user to the presence of uninsulated "dangerous voltage" within the product's enclosure that may be of sufficient magnitude to constitute a risk of electric shock to persons .



The exclamation point within a triangle is intended to alert the user to the presence of important operating and maintenance (servicing) instructions in the literature accompanying the product .

CAUTION : TO PREVENT ELECTRIC SHOCK ,MATCH WIDE BLADE OF PLUG TO WIDE SLOT ,FULLY INSERT .



Upstar wants to help you save energy! This HDTV meets the ENERGY STAR® guidelines. This HDTV has earned the Energy Star ®the default setting for this HDTV is set to POWER SAVING mode. You can change this setting by pressing the PICTURE button on the remote control twice . Changing this setting or enabling other options will increase power consumption which could possibly exceed the guidelines of ENERGY STAR®

WARNING: Batteries (battery pack or batteries installed) shall not be exposed to excessive heat such as sunshine, fire or the like.

CAUTION :

Do not place this product on an unstable cart, stand, tripod ,bracket or table. The product may fall causing serious personal injure and serious damage to the product. Use only a cart stand, tripod ,bracket, or table recommended by the manufacturer or sold with the product. Follow the manufacturer's recommended by the manufacturer . a product and cart combination should be moved with care. Quick stops, excessive force ,and uneven surfaces may cause the product and cart combination to overturn .



NOTE TO CATV SYSTEM INSTALLER :

This reminder is provided to call the CATV system installer's attention to Article820-40f of the National Electrical Code that provides guidelines for proper grounding and , in particular ,specifies that the cable ground shall be connected to the grounding system of the building .as close to the point of cable entry as practical.

NOTICE:Where the mains plug or an appliance coupler is used as the disconnect device,the disconnect device shall remain readily operable.

The apparatus shall not be exposed to dripping or splashing and that no objects filled with liquids such as vases . shall be placed on the apparatus

Important Safety Instructions

Electricity is used to perform many useful functions, but it can also cause personal injuries and property damage if improperly handled. This product has been engineered and manufactured with the highest priority on safety. However, improper use can result in electric shock and / or fire. In order to prevent potential danger, please observe the following instructions when installing, operating and cleaning the product. To ensure your safety and prolong the service life of your Liquid Crystal Television, please read the following precautions carefully before using the product.

1. Read these instructions.
2. Keep these instructions.
3. Heed all warnings.
4. Follow all instructions.
5. Do not use this apparatus near water.
6. Clean only with dry cloth.
7. Do not block any ventilation openings. Install in accordance with the manufacturer's instructions.
8. Do not install near any heat sources such as radiators, heat registers, stoves, or other apparatus (including amplifiers) that produce heat.
9. Do not defeat the safety purpose of the polarized or grounding-type plug. A polarized plug has two blades with one wider than the other. A grounding type plug has two blades and a third grounding prong. The wide blade and the third prong are provided for your safety. If the provided plug does not fit into your outlet, consult an electrician for replacement of the obsolete outlet.
10. Protect the power cord from being walked on or pinched particularly at the plugs, convenience receptacles, and the point where they exit from the apparatus.
11. Only use attachments/accessories specified by the manufacturer.
12. Use only with the cart, stand, tripod, bracket, or table specified by the manufacturer, or sold with the apparatus. When a cart is used, use caution when moving the cart/apparatus combination to avoid injury from tip-over.
13. Unplug this apparatus during lightening storms or when unused for long periods of time.
14. Refer all servicing to qualified service personnel. Servicing is required when the apparatus has been damaged in any way, such as power-supply cord or plug is damaged, liquid has been spilled or objects have fallen into the apparatus, the apparatus has been exposed to rain or moisture, does not operate normally, or has been dropped.
15. Please keep the until in a well-ventilated environment.

Safety Instructions

This product is designed and manufactured to operate within defined design limits, and misuse may result in electric shock or fire. To prevent the product from being damaged, the following rules should be observed for the installation, use and maintenance of the product. Read the following safety instructions before operating the display. Keep these instructions in a safe place for future reference.

- To avoid the risk of electric shock or component damage, switch off the power before connecting other components to the TV.
- Unplug the power cord before cleaning the TV. Please use the included custom bezel cleaning cloth for cleaning the bezel of the TV only. Do not use a liquid or a spray cleaner for cleaning the product. Do not use abrasive cleaners.
- Always use the accessories recommended by the manufacturer to ensure compatibility.
- When moving the TV from an area of low temperature to an area of high temperature, condensation may form on the housing. Do not turn on the TV immediately after this to avoid causing fire, electric shock or component damage.
- Do not place the TV on an unstable cart, stand, or table. If the TV falls, it can injure a person and cause serious damage to the appliance. Use only a cart or stand recommended by the manufacturer or sold with the TV.
- Any heat source should maintain a distance of at least 5 feet away from the TV, i.e. Radiator, heater, oven, amplifier etc. Do not install the product too close to anything that produces smoke or moisture. Operating the product close to smoke or moisture may cause fire or electric shock.
- Slots and openings in the back and bottom of the cabinet are provided for ventilation. To ensure reliable operation of the TV and to protect it from overheating, be sure these openings are not blocked or covered. Do not place the TV in a bookcase or cabinet unless proper ventilation is provided.
- Never push any object into the ventilation slots of the TV. Do not place any objects on the top of the Product. It could short circuit parts causing a fire or electric shock. Never spill liquids on the TV.
- Do not use the TV in a portrait format (by rotating 90 degrees) under high temperature environment (25°C or higher), since this would retard heat dissipation and would eventually damage the TV.
- The TV should be operated only from the type of power source indicated on the label. If you are not sure of the type of power supplied to your home, consult your dealer or local power company.
- The power cable must be replaced when using different voltage from that specified in the User Manual. For more information, contact your dealer.

Safety Instructions

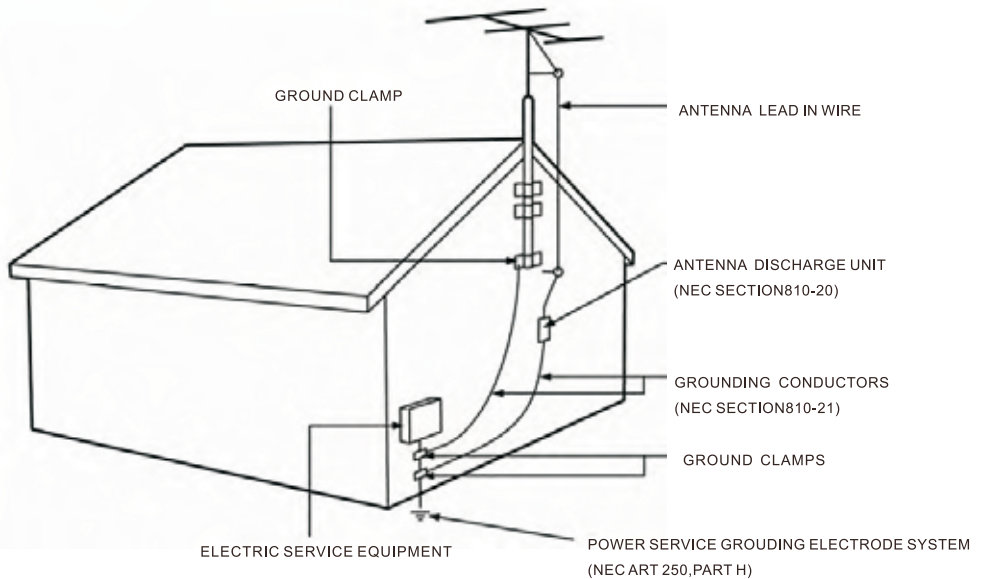
- Do not overload power strips and extension cords. Overloading can result in fire or electric shock.
- The wall socket should be installed near the equipment and should be easily accessible.
- Only the marked power source can be used for the product. Any power source other than the specified one may cause fire or electric shock.
- Do not touch the power cord during thunderstorms. To avoid electric shock, avoid handling the power cord during electrical storms.
Unplug the unit during a lightning storm or when it will not be used for a long period of time. This will protect the TV from damage due to power surges.
- Do not attempt to repair or service the product yourself. Opening or removing the back cover may expose you to high voltages, the risk of electric shock, and other hazards. If repair is required, please contact your dealer and refer all servicing to qualified service personnel.
- Keep the product away from moisture. Do not expose this appliance to rain or moisture. If water penetrates into the product, unplug the power cord and contact your dealer. Continuous use in this case may result in fire or electric shock.
- Do not use the product if any abnormality occurs. If any smoke or odor becomes apparent, unplug the power cord and contact your dealer immediately. Do not try to repair the product yourself.
- Avoid using dropped or damaged appliances. If the product is dropped and the housing is damaged, the internal components may function abnormally. Unplug the power cord immediately and contact your dealer for repair. Continued use of the product may cause fire or electric shock.
- Do not install the product in an area with heavy dust or high humidity.
- Operating the product in environments with heavy dust or high humidity may cause fire or electric shock.
- Hold the power connector when removing the power cable. Pulling the power cable itself may damage the wires inside the cable and cause fire or electric shocks. When the product will not be used for an extended period of time, unplug the power connector.
- To avoid risk of electric shock, do not touch the connector with wet hands.
- Insert batteries in accordance with instructions while using the remote control. Incorrect polarities may cause damage and leakage of the batteries, operator injury and contamination the remote control.
- If any of the following occurs please contact the dealer:
 - ☞ The power connector fails or frays.
 - ☞ Liquid sprays or any object drops into the TV.
 - ☞ The Display is exposed to rain or other moisture.
 - ☞ The Display is dropped or damaged in any way.
 - ☞ The performance of the Display changes substantially.
- Operating environment: Temperature: 5°C ~ 35°C, Humidity: 10% to 90% non-condensing, Altitude: 0~10,000 ft.

Important Information

Television Antenna Connection Protection

External Television Antenna Grounding

If outside antenna or cable system has been connected to the TV, make sure that the antenna or cable system is electrically grounded for the protection against voltage surges and static charges. Article 810 is the National Electrical Code, ANSI/NFPA 70, provides information with regard to proper grounding of the mast and supporting structure, grounding of the lead-in wire to an antenna discharge unit, size of the grounding conductors, location of antenna discharge unit, connection to grounding electrodes, and requirements of the grounding electrode.



Lightning Protection

For the protection of the TV during lightning storm or when it is left unattended or unused for long period of time, unplug the TV from the wall outlet and disconnect the antenna or cable system.

Power Lines

Do not locate the antenna near overhead light or power circuits, or to where it could fall into such power lines or circuits.

Opening the Package

The UPSTAR TV is packaged in carton. The standard accessories are also packed in this carton. Due to the size and weight of the product, it is suggested that it must be handled by a minimum of 2 or more persons. Since the screen can be easily scratched or broken, please handle the product gently. Never place the unit on a surface with the glass facing downwards unless it is on protective padding. When opening the carton, check that the product is in good condition and that all standard accessories and items are included. Save the original box and all packing materials for future shipping needs.

Package Contents

UPSTAR TV Display x 1
TV Stand x 1
Quick Start Guide x 1
TV Remote Control x 1
Screw x 4

Installation

Please read the user manual carefully before processing the installation. Please use the power cord designated for the product. When an extension cord is required, use one with the correct power rating. The cord must be grounded and the grounding feature must not be defeated.

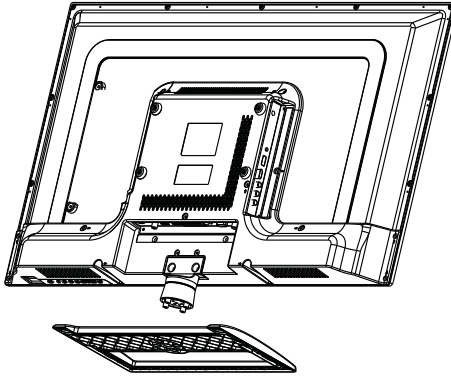
The product should be installed on a flat surface to avoid tipping. Space should be maintained between the back of the product and the wall for proper ventilation.

If you would like to mount the TV onto the wall, please see page 7, and 9 for additional information. Avoid installing the product in kitchen, bathroom or other places with high humidity dust or smoke, in order not to shorten the service life of the electronic components. Please ensure the product is installed with the screen in landscape orientation. Any 90° clockwise or counterclockwise installation may induce poor ventilation and successive component damage.

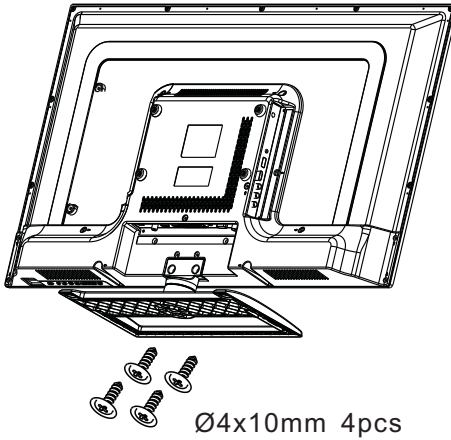
Attaching or Removing the Stand

1. Install the base.

1



2



2. To remove the base stand off the TV set, guidance as follow: Power off the TV and disconnect the power cord plug. Place the TV host on your desktop as screen faces down(make the bottom edge beyond desktop). Remove screws in stand of Picture 2, remove the stand.

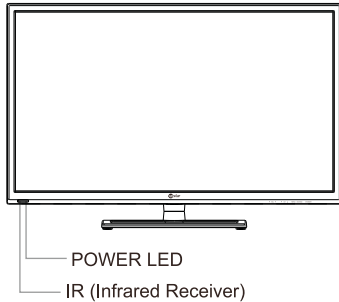
3. To install your TV set on the wall, please refer to the instructions on page 9 "**Rear View Mounting Pattern**" of user's manual.

Table of Contents

Safety Precautions.....	1
Important Safety Instructions.....	2
Safety Instructions	3-4
Important Information	5
Television Antenna Connection Protection.....	5
Opening the Package.....	6
Package Contents	6
Installation.....	6
Attaching or Removing the Stand.....	7
Table of Contents	8
Identifying Front and Rear Pannel	9-10
Remote Control.....	11
Connection Suggestions.....	12-15
Basic Use.....	16
Picture.....	17-18
Sound.....	19
Time.....	20
SetUp	21-22
Lock.....	23-28
Channel.....	28
PC	29
USB Connection Explained	30-31
Rating Explained.....	31-32
Aspect Ration	33
Trouble Shooting.....	34-36
Lockdown Base Installation Manual.....	37-38
Warranty	Appendix

Identifying Front and Rear Panel

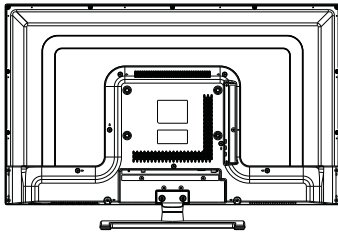
Front View



POWER LED: Illuminates green when the TV is turned on. Illuminates red when the TV is in standby mode.

IR (Infrared Receiver): Receives IR signals from the remote control. Do not put anything near the sensor, as its function may be affected.

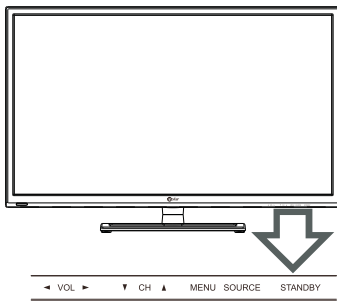
Rear View Mounting Pattern



Mounting Specification : 200mm x 100mm using screw size M6. Length of screw should not exceed 12mm.

Please Note : The 12mm length of screw refers to how deep the screw can go inside the mounting holes. When you're buying screws, you should add the original 12mm to the thickness of your mounting plate in order to get the total screw length.

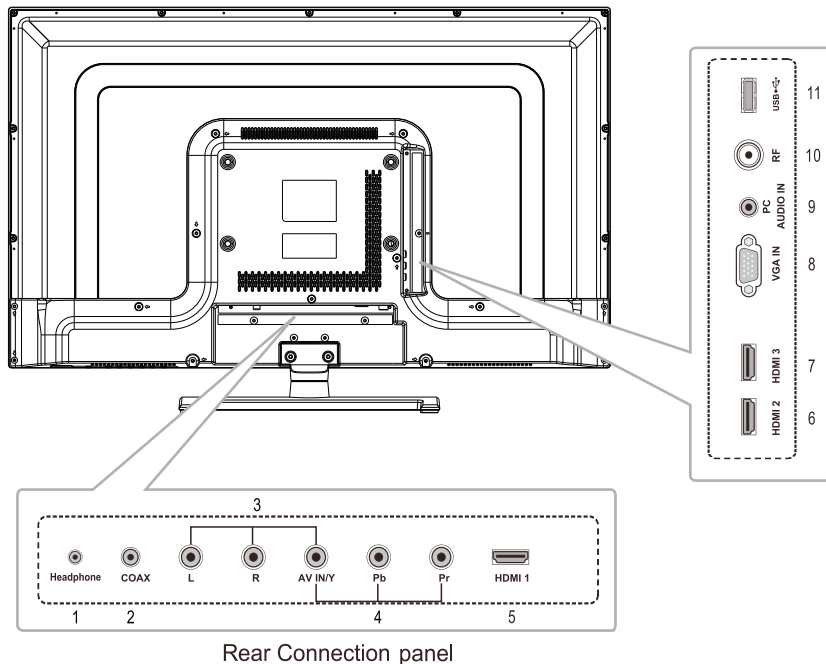
Side Control Buttons



1. VOL(◀▶): this button decreases the TV's volume. If a sub-menu is active, pressing this button will move the selection left.
2. VOL(▶▶): this button increases the TV's volume. If a sub-menu is active, pressing this button will move the select right.
3. CH(▼): this button changes the TV channel down. If the OSD is active, this button functions as down for the menu.
4. CH(▲): this button changes the TV channel up. If the OSD is active, this button functions as up for the menu.
5. MENU: this button activates the On Screen Display (OSD). If a sub-menu is active, pressing this button will exit the OSD.
6. SOURCE : this button switches between all the different sources of the TV. When the OSD is active, this button acts as the enter button and confirms the menu selection
7. STANDBY: turn on the TV by pressing the button once. Press the button again to turn off the TV.

Identifying Front and Rear Panel

Rear View Connections



- | | |
|-----------------------------------|---|
| 1 Headphone jack | 9 PC Audio in jack |
| 2 COAX jack | 10 TV jack |
| 3 AV IN VIDEO and AUDIO (R/L)jack | 11 USB in jack
(USB output: DC 5V \approx 500mA) |
| 4 Y,Pb,Pr jack | |
| 5\6\7 HDMI in jack | |
| 8 PC jack | |

 The product color and shape may vary depending on the model.

Remote Control

POWER: This button turns the TV on or off.

SOURCE: Press to display and select the available video sources.

CC: This button turns on the closed captioning system of the television. Please Note : CC only works under the sources TV, AV1, and AV2.

MTS: This button switches between the main audio and the (SAP) second audio programming.

MUTE: This button stops the TV from producing any sound.

0-9 : These buttons allow you to access the channels directly.

When accessing a digital channel you would use these buttons in junction with the (-) button to switch channels.

(-): This button allows you to access digital channels directly when used in junction with the number buttons 0-9.

R : This button allows you to swift between the current channel and the last channel you watched.

GUIDE: This button turns on the electronic program guide that is received from antenna.

INFO: This function tells you the LCD's current display information.

▲ ▼ ◀ ▶ ENTER: These buttons allow you to navigate inside the OSD menu. They also function as CH+/- for digital channels in the tuner.

MENU: This button turns on the on screen display menu (OSD).

EXIT: This button allows you to quit from the OSD menu

VOL(+/-): These two buttons increase or decrease the volume of the TV.

CH(+/-): These two buttons change the TV channel back and forth.

ASPECT : This button changes the TV between different display modes.

FREEZE : This button freezes the video. Press the button again to unfreeze.

SLEEP : This button enables the sleep function so the TV turns itself off after the designated time.

FAV : This button opens the favorite channel list.

FAV (+/-) : Press FAV+/- to change forward/ backward Fav channel for TV.

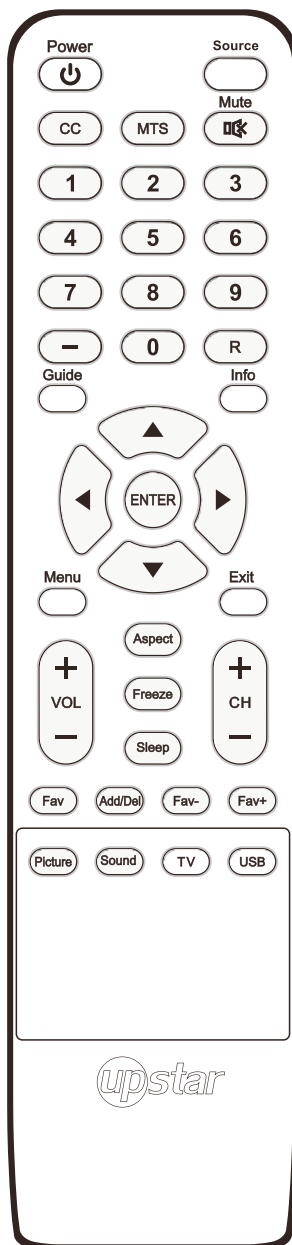
ADD/DEL: This button adds/deletes a channel to the favorites list while you are using the TV tuner.

PICTURE : This button selects different optimized picture settings for the TV.

SOUND : This button selects different optimized sound settings for the TV.

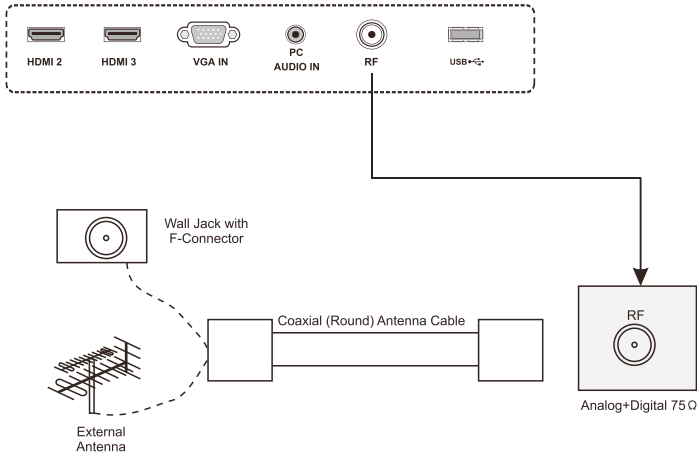
TV: Press to select the Tv mode directly

USB: This button enables the USB picture and MP3 playing function in the TV.



Connection Suggestions

If You Have Digital Cable without Cable Box or Antenna...

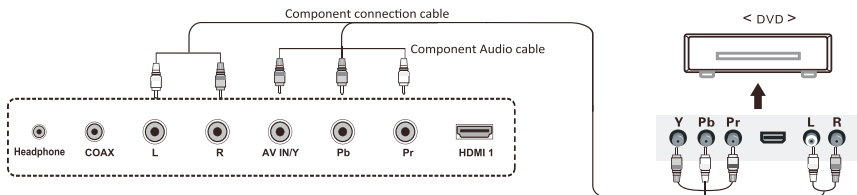


1. Make sure the power of HDTV is turned off.
2. Connect the Coaxial RF cable from your antenna or digital cable to the TV port on the back of your HDTV.
3. Turn on the HDTV.
4. Follow the first time on screen instructions.

Please Note :

- Not all broadcasts are in High Definition (HD). Please refer to your local broadcasting stations for more information.
- The HDTV's tuner is designed for HDTV therefore requires a stronger signal than normal TVs. If you cannot receive that signal level with your antenna or cable, your HDTV might lose picture or sound.

Connecting DVD Player with Component YPbPr...



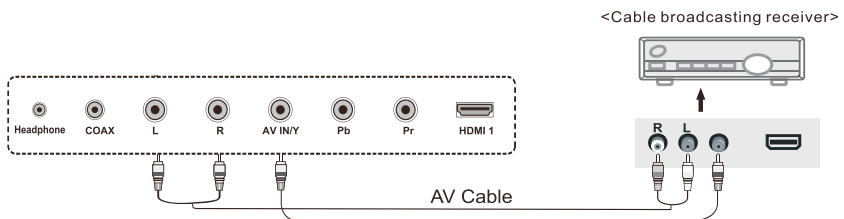
Connection Suggestions

1. Make sure the power of HDTV and your DVD player is turned off.
2. Obtain a Component Cable. Connect the green/blue/red color connector to both your DVD player and YPbPr's green/blue/red connector port on the back of your HDTV.
3. Obtain a RCA Audio Cable. Connect the white/red color connector to both your DVD player and YPbPr's white/red connector port on the back of your HDTV.
4. Turn on the HDTV and your DVD player.
5. Use the remote control's source button or the source button on the TV to switch to YPbPr.

Please Note :

- Sometimes DVD players will not automatically output to YPbPr. You will need to configure your DVD player with AV connection first then switch to YPbPr. Please reference the DVD player's manual, to make sure the DVD player is configured to output correctly to the TV.
- If you use this connection, you will not be able to use the yellow colored VIDEO connection with audio because the red and white audio connections are shared.

Connecting Wii™ with Composite...



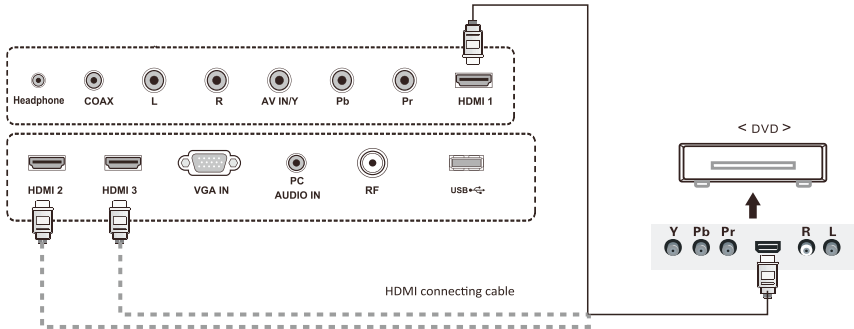
Connection Suggestions

1. Make sure the power of HDTV and your Wii™ is turned off.
2. Obtain a Yellow Video Cable. Connect your Wii™ and HDTV by using the Yellow Video connector port.
3. Obtain a RCA Audio Cable. Connect the white/red color connector to both your Wii™ and AV's white/red connector port on the back side of your HDTV.
4. Turn on the HDTV and your Wii™.
5. Use the remote control's source button or the source button on the TV to switch to AV mode.

Please Note :

- Make sure to read your Wii™ installation guide for further information.
- If you are using this current connection then the YPbPr connection will not have audio because the red and white audio connection is shared with this port.

Connecting Cable or Satellite boxes with HDMI...

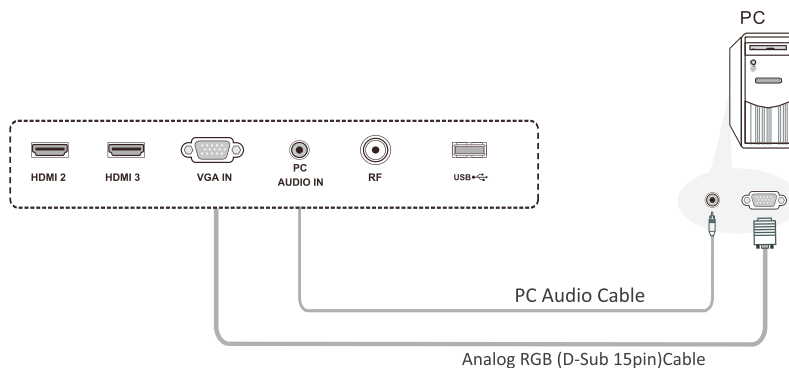


1. Make sure the power of HDTV and your set-top box is turned off.
2. Connect a HDMI cable to the HDMI output of your set-top box and the other end to the HDMI port on the back of your HDTV.
3. Turn on the HDTV and your set-top box.
4. Use the remote control's source button or the source button on the TV to switch to HDMI.

Please Note :

Please reference the set-top box's manual, to make sure the set-top box is configured to output correctly to the TV.

Connecting to a PC with VGA and 3.5 mm minijack ...



1. Make sure the power of HDTV and your PC is turned off.
 2. Obtain a 15-pin D-Sub VGA cable; connect to the VGA output of your PC and the other end to the VGA port on the back of your HDTV.
 3. Obtain a 3.5 mm Mini-jack, connect to the audio out of your PC and the other end to the VGA Stereo Input port.
 4. Turn on the power of the HDTV and your PC.
 5. Use the remote control's source button or the source button on the TV to switch to VGA.
 6. Change your PC resolution to 1366x768 at 60hz refresh rate.
 7. Press MENU to use the OSD's SETUP option.
 8. Under the SETUP option select PC function.
 9. Under VGA function use AUTO ADJUST to adjust the screen.
- Please Note :
For the best display, please set your PC resolution to 1366x768 at 60 Hz. Please refer to the PC or graphic card's manual for further instructions on how to set your resolution and refresh rate.
 - Please refer to your PC manual for video output requirements of the video card.
The VGA port of the TV features a power saving mode which will automatically turn off the TV, also if there's no signal provided for more than 5 minutes.

Basic Use

Starting up the HDTV

1. Make sure your power cable is connected and the standby red light in the front of the TV is lit up.
2. Check all your connection cables off the side or the back of your TV and also your AV devices. Make sure they are all connected securely.
3. Turn on your TV and other AV devices if necessary. Powering the LED TV

Power on /off

Press the POWER button of the TV /remote control to turn the LCD TV on ,
press the POWER button of the TV / remote control again to turn the LCD TV off.

Selecting Input Source

1. Press the SOURCE button on side of the TV or the SOURCE button on the remote control and you will see the picture left.
2. Use ▲/▼ buttons to select the source what you want to switch to .
Press ENTER button to confirm .



OSD (On Screen Display) Options

1. Press MENU button to open the menu, the On Screen Display(OSD) will appear on the screen



2. Use the ◀/▶ buttons to select you're your main menu option and press ENTER.

PICTURE This main option has functions for changing the picture settings for all ports, such as tint, contrast, sharpness.

SOUND This main option has functions for changing sound settings for all ports, such as SPDIF Type, treble, bass, and acoustic cinema enhancement....etc.

TIME This main option has functions for changing the TV's time display, time format, and sleep timer.

Lock This main options has functions for parental filter / blocking.

SETUP This main option has functions for all ports, OSD language, caption styles, time setup, automatic synchronization, sleep timer and power on timer, power off timer.

CHANNEL This main option has functions for the tuner port, such as scanning channels, editing channels, specific range scans, audio language, tuner mode....etc.

PICTURE

PICTURE

This option allows users to adjust the TV's picture sharpness, color, tint, and other various functions.



1. Press MENU to open the OSD.
2. Press ◀ or ▶ to select PICTURE and press ENTER.
3. Use ▲ or ▼ to select the one you want to adjust and ◀ or ▶ or ENTER to adjust them.

I. PICTURE MODE

This feature changes various color modes for the TV .

(Presets include: Standard , Dynamic , Soft , Power Saving and User.)

Power Saving: Select Power Saving to maximize energy efficiency

Please note if you select Power Saving the picture will be darker . This mode meets the requirements of ENERGY STAR® qualification.

Note:The brightness,contrast,color, tint and sharpness are only available in **User** mode, you can adjust as you like.

II. BRIGHTNESS This feature changes the picture's detail in dark colors.

III. CONTRAST This feature changes the difference between dark and bright objects.

IV. COLOR This feature changes the amount of color in the picture.

V. TINT This feature changes the white balance of the color.

VI. SHARPNESS This feature changes the picture quality.

VII.COLOR TEMPERATURE

This feature adjusts the color temperature of the TV, warm,normal, cool, (warm being more red, cool being more blue and normal being neutral color).

VIII. ADVANCED SETTINGS



- **ASPECT RATIO** This feature changes the various aspects of the TV's video. (Aspects include wide, zoom, cinema, normal).
- **NOISE REDUCTION** This feature reduces general pixilation by blurring them.
- **DYNAMIC CONTRAST** This feature allows the TV to automatically adjust the contrast of the TV depending on the picture you are viewing.
- **HDMI MODE** This feature only available in HDMI input.(Video , Graphic)

SOUND

This option allows users to adjust the TV's sound functions.



1. Press MENU to open the OSD.
2. Press ◀ or ▶ to select SOUND and press ENTER.
3. Use ▲ or ▼ to select the one you want to adjust and ◀ or ▶ or ENTER to adjust them.

I. SOUND MODE

This feature switches between preset settings (presets include standard, music, movie, sports,user).

Note:The bass and treble are only available in **User** mode,you can adjust as you like.

- II. BASS This feature adjusts the audio bass level of the TV.
- III. TREBLE This feature adjusts the audio treble level of the TV.
- IV. BALANCE This feature adjusts the balance by transmitting sound between two speakers.
- V. MTS This feature adjusts the second audio programming in analog channels (It is only available in ATV).
- VI. AUDIO LANGUAGE This feature adjusts the digital second audio programming in digital channels.(It is only available in DTV).
- VII. DIGITAL AUDIO OUTPUT This feature adjusts the digital audio output.
- VIII.SURROUND MODE This feature enables the two TV speakers to provide an extensive sound effect.
- IX. AVL This feature adjusts the auto volume leveler by enabling volume protection from overly loud commercials.
- X. SPEAKER This optional TV speaker feature can be turned on or off .

TIME

TIME

This option allows users adjust the TV's system time.



1. Press MENU to open the OSD.
2. Press ◀ or ▶ to select TIME and press ENTER.
3. Use ▲ or ▼ to select the one you want to adjust and ◀ or ▶ or ENTER to adjust them.

- I. SLEEP TIMER This timer automatically turns off the TV at the designated time.
- II. TIME ZONE This option adjusts the global time zone for the TV.
- III. DAYLIGHT SAVING TIME – This option toggles the daylight saving time feature.
- IV. TIME FORMAT This option adjusts the display format for the time.
(IE. Under 24 hour format 1PM would display as 13:00).
- V. AUTO CLOCK This option enables the TV to sync time with the antenna.
(Put it on AUTO if you have an antenna attached to the TV.
If you have CABLE or SATELLITE or anything else please use make sure AUTO CLOCK is turned off)
- VI. CLOCK This option adjusts time and date of the TV. You need to disable AUTO CLOCK in order to apply this function.

Please Note:

- The TIME function will maintain accurate time only if the TV has powered on plugged into a power source. If the TV is unplugged or the power strip is turned off, the TV's time will not be accurate.

SETUP

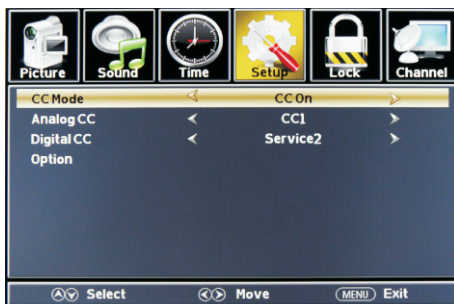
SETUP

This option allows users to set various features of the TV such as closed captioning, and input label



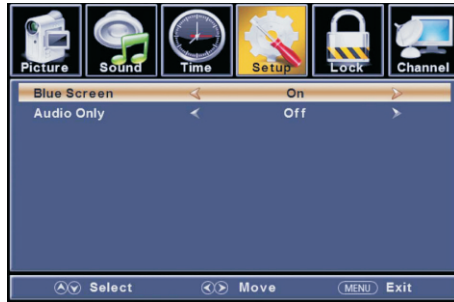
1. Press MENU to open the OSD.
2. Press ◀ or ▶ to select SETUP and press ENTER.
3. Use ▲ or ▼ to select the one you want to adjust and ◀ or ▶ or ENTER to adjust them.

- I. MENU LANGUAGE This option changes the language in TV OSD menu.
- II. TRANSPARENT This option changes the transparency of the menu by allowing the background TV images to show through.
- III. OSD TIMEOUT This option changes the time which the TV's OSD menu automatically goes off.
- IV. CLOSED CAPTION This option displays words on the TV.



- CC MODE This option toggles closed captioning off and on or on when the TV is muted.
- ANALOG CC This option changes through all the analog CC channels (cc1 thru cc4 and text1 thru text4).
- DIGITAL CC This option changes through the digital cc channels (Service1 thru Service6).
- OPTION This option changes the styles of the digital caption.

- V. OVER SCAN This option can be set to a data signal. It is only available to enter 1080i/720p/1080p in DTV/Component/HDMI. Default is On. It fixed set to be On in ATV/AV. It fixed set to be Off in PC/USB.
- VI. INPUT LABELS This option to create the label of the device is connected to your TV.
- VII. OTHER SETTINGS This option adjusts miscellaneous options of the TV.



- BLUE SCREEN This feature gives the TV a blue default background when there is no signal.
- AUDIO ONLY This option turns off the screen while the audio is still playing.

- VIII. RESTORE DEFAULT This option restores all the changes in the OSD menu back to the default factory settings.
- IX. SETUP WIZARD This option enables the TV to show you the setup wizard of the TV again.

Please Note :

- Closed captioning is only available under AV, and TV ports.
- Closed captioning depends on your TV program's support. Sometimes due to the TV channel or the signal, closed captioning will not be available.
- In United States, closed captioning under analog signals is CC1.
- In United States, closed captioning under digital signal is Service1.
- TEXT1-TEXT4 offers you local information; however it might not be supported by your local broadcasting station. When no information is offered, you will see a large black piece in the middle of the screen.

LOCK

LOCK

This option adjusts the parental control of the TV.



1. Press MENU to open the OSD.
 2. Press ◀ or ▶ to select LOCK and press ENTER.
 3. Press "0000" to unlock.
 4. Use ▲ or ▼ to select the one you want to adjust and ◀ or ▶ or ENTER to adjust them.
- I. CHANGE PASSWORD This option allows you to change the LOCK menu password.



ENTER "0000"



You can set any 4-digit password.

II. SYSTEM LOCK This option enables parental locking and filtering for TV programs.

III. INPUT BLOCK This option disables the connection ports of your choice.

IE. If the DVD player is connected to HDMI1 and you use INPUT BLOCK to block HDMI1, you will not be able to see anything from HDMI1.



IV. US RATING This option filters US TV programming and movies.



■ TV This option filters TV programming via TV ratings. (Refer to Ratings Explained for more information)



Age	Define
TV-Y	General audience
TV-Y7	Parental guidance suggested
TV-G	Parents strongly cautioned
TV-PG	Retricted
TV-14	No one 17 and under admitted
TV-MA	Adult audience only

Content	Define
FV	Fantasy violence
D	Suggestive dialogue
L	Strong language
S	Sexual situations
V	Voilence

Note : the content ratings will increase depending on the level of the age-based rating . For example , a program with a TV-PG V(voilence)rating may contain moderate violence , while a TV-14V(violence) rating may contain intense violence . so locking a higher level option will automatically cause locking the options that has more sensitive content.

In Canada, the rating setting basically include the following option:

- MPAA This option filters movies via movie ratings. (Refer to Ratings Explained for more information)

Rating	Define
G	General audience. All ages admitted.
PG	Parental guidance suggested. Some material may not be suitable for children.
PG-13	Parents strongly cautioned. Some material may be inappropriate for children under 13.
R	Restricted. Children under 17 require accompanying parent or adult guardian.
NC-17	No one 17 and under admitted.
X	Adult audience only.
Off	

V. CANADA RATING This option filters CANADA TV ratings.



Canada English

These ratings are for programs which are using English rating system.

Rating	Defined as
Off	News and sports
C	Children
C8+	Children 8 years and older
G	General programming
PG	Parental guidance
14+	Viewers 14 and older
18+	Adult programming

Canada French

The ratings are for programs which are using French rating system.

Rating	Defined as
Off	News and sports
G	General
8 ans+	Not recommended for children under age 8
13 ans+	Not recommended for children under age 13
16 ans+	Not recommended for children under age 16
18 ans+	This program is restricted to adults

VI. RRT SETTING This feature is a downloadable rating filter based on TV broadcasts.

With the transition of TV broadcasts to digital, future changes, and enhancements in how TV shows are rated for content are possible.

VII. RESET RRT This option resets the RRT5 settings

Please Note:

- Please refer to RATINGS EXPLAINED for more information on ratings definitions.
- Downloadable rating and clear downloadable data might be grayed out depending on the TV stations support.
- RRT5 options are based on TV broadcasts, if it is grayed out, then it is not available in your region.

VIII. HOTEL MODE



- HOTEL MODE This option features on or off the hotel mode.

- **BOOT SETTING** This option can be turned the guide set function panel set.



- Press the ▲/▼ button to select the picture mode, and then press the ◀/▶ button to set the picture mode.
- Press the ▲/▼ button to select the default volume, and then press the ◀/▶ button to adjust the value.
- Press the ▲/▼ button to select the maximum volume, and then press the ◀/▶ button to set the maximum value.
- Press the ▲/▼ button to select the boot source, and then press the ◀/▶ button to select the source you want.
- Press the ▲/▼ button to select the channel selection, and then press the ◀/▶ button to select. (This feature is only applied to select a channel)

- **HOTEL LOCK** This option can set the hotel lock.



- TUNER LOCK**

Press ▲ or ▼ to select tune to lock, then press ◀ or ▶ to set it to Off. moreover, it could not search the channel, but can change channel available.

- KEY PAD LOCK**

Press ▲ or ▼ to select keypad if you want to lock, then press ◀ or ▶ to set it to Off. meanwhile, remote control only could be used for selection.

- MENU LOCK**

Press ▲ or ▼ to select the menu if you want to lock, then press ◀ or ▶ to set it to Off if anyone want to use it, this menu should be reset.

CHANNEL

- **POWER SAVE** This option functions can automatically turn off the power, if you set the power saving. For example: When you select 60 minutes, the TV will automatically in 60 minutes after the power is turned off.
- **TV TO USB** This feature is used to convert the TV mode to USB mode.
- **USB TO TV** This feature is used to convert the USB mode to TV mode.
- **RESET HOTEL SETTING** This option features hotel mode reset settings.

CHANNEL

This option allows user to adjust the TV's tuner functions.



1. Press MENU to open the OSD.
 2. Press ◀ or ▶ to select **CHANNEL** and press ENTER.
 3. Use ▲ or ▼ to select the one you want to adjust and ◀ or ▶ or ENTER to adjust them.
- I. **AIR / CABLE** This feature allows you to switch between air (such as using antenna) and cable.
 - II. **AUTO SCAN** This feature searches channels automatically for you.
 - III. **FAVORITES** This feature gives the favorite list of channels added by you.
 - IV. **CHANNEL LIST** This feature create labels for channels, up to 7 characters .
 - V. **SHOW / HIDE** This feature tells you if you have chosen any channels to be skipped.
 - VI. **CHANNEL NUMBER** This feature tells you what channel is currently on.
 - VII. **CHANNEL LABEL** This feature changes the name of the channel.

Please Note:

- The channel options are only available when you select TV as your SOURCE. When you open the OSD menu on other sources (HDMI, AV, YPBPR, PC, USB) these options will be grayed out.

PC

This option changes the sync properties when a PC is connected to the TV using the VGA cord.



1. Press MENU to open the OSD.
2. Press ◀ or ▶ to select **SETUP** and press ENTER.
3. Press ◀ or ▶ to select PC SETTINGS and press ENTER.
4. Use ▲ or ▼ to select the one you want to adjust and ◀ or ▶ or ENTER to adjust them.

- H-POS This feature adjusts the left or right position of the PC picture.
- V-POS This feature adjusts the up or down position of the PC picture.
- CLOCK This tunes the sync frequency in large increments.
- PHASE This tunes the sync frequency in small increments.
- AUTO This function auto syncs the picture.

Please Note:

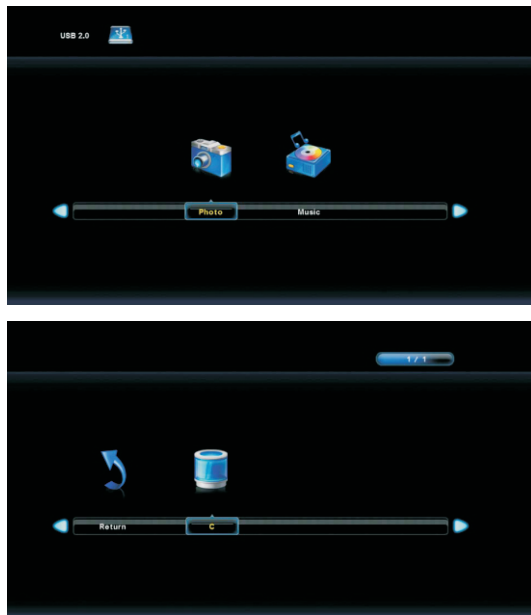
- Color, tint, Sharpness, Noise Reduction, Dynamic Contrast and HDMI Mode in PICTURE are invalid.
- MTS and Audio Language in SOUND menu are invalid.
- Auto Clock in TIME menu is invalid.
- Close Caption in SETUP menu is invalid.
- US Rating, Canada Rating, RRT Setting and Reset RRT in LOCK menu are invalid.
- PC mode has no CHANNEL menu.

USB Connection Explained

The TV is a widescreen TV with a USB port. With the USB port the TV can access USB flash drives and display pictures or play MP3 files. To use this feature connect a USB flash drive to the USB port of the TV and press the USB button to start browsing for music and pictures.



Once you press the USB button the USB menu will come up. Select either the music or picture you want to browse using the arrow buttons. Press the ENTER button to select the file you want.



Browsing Music and Photo

In the USB function, select Music or Photo. Use the ▲ or ▼ button to select the folder or file you want and use the ENTER button to play the file. Use the EXIT button to exit a folder.

Rating Explained

Technical Limitation

1. The USB port does not support USB hubs.
2. The USB flash drive supports FAT32 and FAT16 file system only.
3. The biggest file size is 4 gigabyte (FAT32).
4. The picture function only supports JPEG file (baseline only, progressive is not supported).
5. The music function only supports MP3 that is from 32-48khz using a data rate of 32-320 kbps.
6. All USB functions are operated by the remote control. None of the buttons physically located on the TV will respond to USB functions.

RATING EXPLAINED

General Operation

To block to channels that you don't want your children to watch, you can filter them with the ratings function.

Mpaa allows you control ratings for movies. For regular TV programs you can use USTV settings.

USTV settings lets you filter the content that you differentiate at all age level, YV-Y, to TV-MA (refer to definitions below). The definitions are listed below for each setting.

USTV Rating

TV-Y (USTV) For All Children

This program is designed to be appropriate for all children. Whether animated or live-action, the themes and elements in this program are specifically designed for a very young audience, including children from ages 2-6. This program is not expected to frighten younger children.

TV-Y7 (USTV) Directed to Older Children

This program is designed for children age 7 and above. It may be more appropriate for children who have acquired the developmental skills needed to distinguish between make-believe and reality. Themes and elements in this program may include mild fantasy violence or comedic violence, or may frighten children under the age of 7. Therefore, parents may want to consider the suitability of this program for their very young children. Note: For those programs where fantasy violence may be more intense or more combative than other programs in this category, such programs will be designated TV-Y7-FV.

RATING EXPLAINED

TV-G (USTV) General Audience

Most parents would find this program suitable for all ages. Although this rating does not signify a program designed specifically for children, most parents may let younger children watch this program unattended. It contains little or no violence, no strong language and little or no sexual dialogue or situations.

TV-PG (USTV) Parental Guidance Suggested

This program contains material that parents may find unsuitable for younger children. Many parents may want to watch it with their younger children. The theme itself may call for parental guidance and/or the program contains one or more of the following: moderate violence (V), some sexual situations (S), infrequent coarse language (L), or some suggestive dialogue (D).

TV-14 (USTV) Parents Strongly Cautioned

This program contains some material that many parents would find unsuitable for children less than 14 years of age. Parents are strongly urged to exercise greater care in monitoring this program and are cautioned against letting children under the age of 14 watches unattended. This program contains one or more of the following: intense violence (V), intense sexual situations (S), strong coarse language (L), or intensely suggestive dialogue (D).

TV-MA (USTV) Mature Audience Only

This program is specifically designed to be viewed by adults and therefore may be unsuitable for children under 17. This program contains one or more of the following: graphic violence (V), explicit sexual activity (S), or crude indecent language (L).

ASPECT RATION

The TV is a widescreen TV, but most TV programs are still broadcasting in a square format, therefore the TV is offering multiple ways of viewing videos. There are mainly two types of signal format, Full (16:9 format), Normal (4:3 format), while others offer a novelty ways to view the TV. Simply use the ASPECT button on the TV's remote control to cycle between the multiple modes.

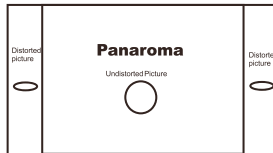
1. Wide

This mode will stretch the picture to a widescreen ratio. If you have a perfect 16:9 ratio picture you will not see any black bars. If you are watching a widescreen movie in 1.85:1 or 2.35:1 ratio, you will still get black bars on the top and bottom of the screen. If you use this mode on 4:3 pictures they will be stretched and distorted horizontally.



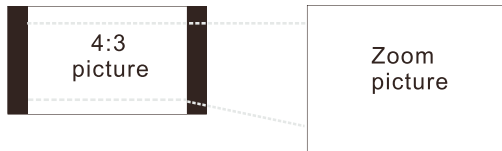
2. Cinema

When watching a 4:3 aspect ratio TV or movie, there will be black bars on the side, you can remove this by using 16:9 aspect but the entire picture will be distorted horizontally. This mode will only distort the two sides of the TV (where the black bars used to be) but in the center the picture will still be proportional. This mode will fill the entire screen but most of your picture will be proportional. Please Note : When in HD mode aspect ratios will not work because it is controlled by the signal.



3. Zoom

When watching a 4:3 aspect ratio TV or movie, this mode zooms in to cut off most of the black bars on the side while preserving the 16:9 ratio. Because of the zoom, the top and bottom are cut off as well.



4. NORMAL

Most analog TV channels have 4:3 signal formats. If the original 4:3 aspect ratio (1.33:1 source) is preserved, black bars are added to the left and right of the display image. This aspect keeps that aspect ratio and shows you the black bars on the side.



Trouble Shooting

The following table contains the common problems and the solutions to these problems. Please check this list before you contact the technicians.

Problems	Solutions
NO PICTURE	Connect power cord correctly.
	Turn on power. Connect videocable correctly.
	Select the input signal source with proper cable connection with the source button.
ABNORMAL COLORS	Match the colors on the cables to the ports off the back of the television. I.E. red cable to red colored port.
PICTURE IS TOO DARK	Adjust your contrast, brightness and lamp settings from the OSD Menu.
AUDIO ONLY NO PICTURE	Make sure you have connected both your video and audio cables.
	The TV's tuner signal must not be lower than 65dB.
PICTURE ONLY NO AUDIO	Make sure the audio cable is connected. Readjust your volume via the remote control.
	The TV's tuner signal must not be lower than 65dB.
REMOTE CONTROL DOES NOT WORK	Turn off the TV, unplug it from the socket. Remove the batteries out of the remote for 30 minutes. Press the remote buttons and the power button randomly for a solid 2 seconds, and then reinstall the batteries. Try the remote to see if it works.
	The TV's remote sensor is also housed in the same place as the power indicator light. Please make sure there is line of sight from the remote control's front sensor to the remote sensor of the TV.
CANNOT RECEIVE SUFFICIENT CHANNELS THROUGH THE ATSC /NTSC TUNER	The TV's tuner signal must not be lower than 65dB. Change the direction of your antenna and rescan your channels. If you have cable call up your cable company and ask about signal strength of your local cable.
NO COLOR	Please adjust your picture setup and make sure the saturation and the RGB are not turned all the way down
	The TV's tuner signal must not be lower than 65dB. Check your signal.
WEAK SIGNAL OR NO PROGRAM SYMBOL ON SCREEN	The TV's tuner signal must not be lower than 65dB. Change the direction of your antenna and rescan your channels. If you have cable call up your cable company and ask about signal strength of your local cable.

Trouble Shooting

Problems	Solutions
TV CHANNELS ARE BLOCKED	Check your auto lock function's settings inside the OSD. You may have locked up some channels but forgot about them.
THE TV TURNS ON OR OFF SLOWLY AND THE SCREEN SHOWS UP SLOWLY	This TV is a High Definition liquid crystal display panel TV. It requires a few more seconds than standard TV's to power up and show pictures.
NO SOUND ON PC	Make sure you have a 3.5 mm mini-jack cable connected from your pc's sound output to the TV's VGA STEREO INPUT.
CANNOT GET 1920x1080 ON PC VGA	Make sure the TV is recognized as plug and play monitor. Try updating your video card's drivers as well. If that does not look, most likely you'll need to upgrade your video card.
PICTURE IS DISTORTED OR HAS ABNORMAL SOUND	This might be from interference from large electrical appliances, cars, motorcycles, or fluorescent lights. If the TV is close to the wall, try to move the TV to another room in your house to see if the problem still occurs.
PICTURE DOES NOT COVER THE ENTIRE SCREEN	If you're using HDMI or a TV digital channel make sure you use the ASPECT button to switch to 16:9 format. If you are using VGA, use the AUTO ADJUST function to adjust to the screen. Please Note : If you are using regular analog TV, AV, or component in 480i resolution, use the ASPECT button to switch to 16:9 in order to fill up the screen. Please Note : This note of this feature will distort the picture.
PICTURE QUALITY IS HORRIBLE!!	For best image quality, view HD widescreen programs where possible. If HD content is not available view "Standard Definition" from a digital source. Standard, analog TV will always be noticeable inferior to HD because your TV has video that is many times better than old TV's and so you can see interference and deficiencies you did not KNOW you had.
PICTURE HAS PIXELS THAT ARE ALWAYS DISPLAYING THE SAME COLOR	Your TV is manufactured by using an extremely high level of precision technology, however, sometimes some pixels of your TV may not display. Pixels defects within industry specifications are inherent to this type of product and do not constitute a defective product.
CANNOT CHANGE THE TIME MANUALLY	Your TV syncs time automatically according to your local TV channel. This function only works while the TV's tuner is connected to an ANTENNA.

TROUBLE SHOOTING

Problems	Solutions
BIG BLACK BOX IN THE MIDDLE OF SCREEN	You have turned on closed captioning and are using TEXT1 TEXT4. Change the setting to CC1 or turn off closed captioning and the box will disappear.
SWITCHING A CHANNEL OR SOURCE CHANGES THE VOLUME	Different channels and inputs will sometimes have this effect because the channel signal's own volume is already loud. There is no way remove this completely. The TV has an AUTO VOLUME LEVEL function that can combat this type of effect. Please make sure that function is turned on.
THERE IS NOISE OR TRASH PIXELS ON THE SCREEN	When your TV's resolution is higher than the digital channel's broadcast resolution, the signal is up-converted to match up your TV's resolution. Up-converting can cause this type of effect.
TIPS FOR HIGH DEFINITION USERS	The TV is an ideal platform for viewing High Definition Content. The best image quality can be achieved by HDMI, YPbPr (Component), then VGA. However, due to variances in broadcast practices, it is possible some image distortions can occur.
TIPS FOR LETTERBOX CONTENT USERS	Letterboxed (Widescreen) versions of DVD movies are most commonly formatted for standard 4:3 TVs. The TV has the capability of expanding this content so the entire screen is filled at the expense of the image proportion. To use this function press the aspect button on the remote control and cycle among the available options.
I CANNOT FIND THE VOLUME AND CHANNEL CHANGING BUTTONS	The buttons are represented by the ▲▼◀▶ buttons located on the remote control. ▲▼ changes the channels and ▶◀ changes the volume.
TV TURNS OFF AUTOMATICALLY AFTER 5 MINUTES	The TV features a power saving mode which will automatically turn off the TV, if there's no signal provided for more than 5 minutes.

Lockdown Base Installation Manual

1. Introduction

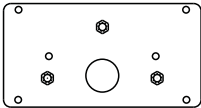
Congratulations on purchasing your TV with a lockdown base plate. the baseplate allows you to secure your television on credenza. Installation of the base plate requires drilling three M5 holes in the top of the TV credenza surface. Be sure to follow the instructions carefully so as not to mistake the drill holes either in position or orientation. Once installed, your base will be securely mounted while providing a 60 degree swivel for comfortable viewing from the left, center or right of the screen.

2. Accessories

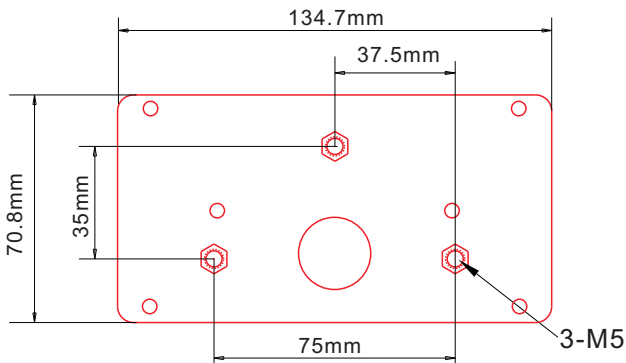
Metal baseplate(metal baseplates are optionally pre-installed on TV units)

6pcs $\phi 4 \times 10$ mm screws for TV base attachment(For pre-installed option, screws will be part of the assembled base)

3pcs M5 threaded bolts and washers for lockdown plate installation(**No supplied**), length of threaded bolt should not exceed 10mm. **Please Note:**the 10mm length of threaded bolts refer to how deep the threaded bolt can go inside the mounting holes.when you're buying threaded bolt, you should add the original 10mm to the thickness of your mounting plate in order to get the total threaded bolt length.



Baseplate 1:1 template for credenza drill hole positioning

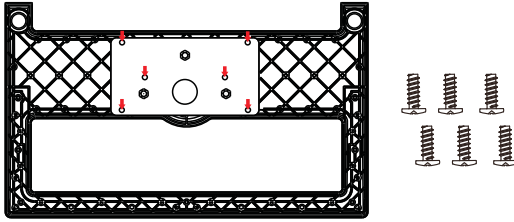


3. Mounting

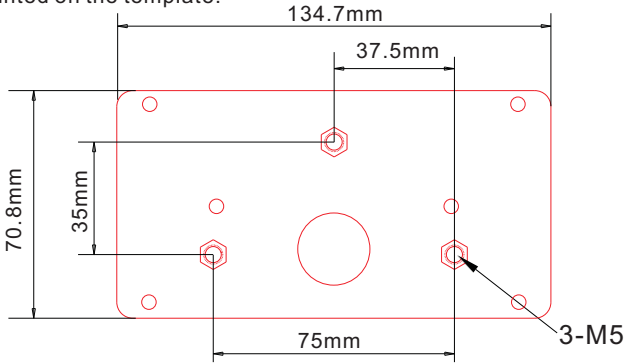
Confirm lockdown parts are correct for your specific installation

Important: please confirm that the template specifies your model number or TV screen size. drilling holes using the improper template will cause damage to your credenza surface. in addition please confirm that the total thickness of the mounting surface and buying the right length of the bolts and washers for mounting .

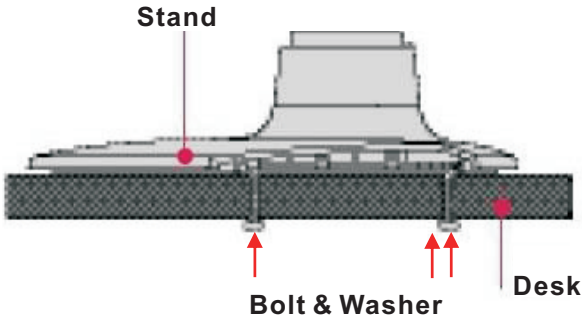
- 1). Lockdown base plate mounted to bottom of television with 6pcs $\varnothing 4 \times 10$ mm screws.



- 2). The correct base plate template should have your model number or television size printed on the template.



- 3). Base plate bolts and washers attached to stand through bottom of desk.



Warranty

1 Year Limited Warranty

For LCD/LED TELEVISION

Upstar USA Group warrants the accompanying LCD/LED Television to be free of defects material and workmanship for the applications specified in its operation instruction for a period of One(1)year warranty for the parts, labor, and panel for One(1) year warranty from the date of original retail purchase date in the United States.

If the unit exhibits a defect in normal use, Upstar USA Group, will, at its discretion, either repair or replace it, free of charge after the unit has been returned within the warranty period.

As a condition to any warranty service obligation, the consumer must present a copy of the original purchase invoice.

Warranty is effective :

In order to receive warranty services, customer must be able to show proof of purchase, in order to obtain warranty services, please contact Upstar Support either by telephone, e-mail or fax.

What the warranty does not cover :

1. Any product in which the serial number has been defaced, modified or removed.
2. Damage, deterioration or malfunction resulting from:
 - A. Accidents, misuse, failure to follow instructions supplied with the product, neglect, unauthorized product modification, fire, water, lightning, or any other acts of nature.
 - B. Repaired or attempted to repair by anyone who is not authorized by Upstar Group.
 - C. Damage or loss of any programs, data, or removable storage media.
 - D. Any damage of the product due to shipping.
 - E. Removal or installation of the product.
 - F. Causes external to the product, such as power fluctuations or failure.
 - H. Normal wear and tear.
 - I. Failure of the owner to perform periodic product maintenance as stated in User Guide, such as cleaning of user-cleanable projector filters.
 - J. Any other reasons which does not relate to a product defect.
 - K. Damage caused by static (no-moving) images displayed for lengthy periods of time (also referred to as image burn-in).
 - L. Damage, or abuse of, the coating on the surface of the display through inappropriate cleaning as described in the product User Guide.
3. Removal, installation, and set-up service charges, including wall-mounting of product.
4. Freight and insurance cost for warranty service.

Warranty

ALL WARRANTIES , INCLUDING ANY IMPLIED WARRANTY OF MERCHANT ABILITY ARE LIMITED TO A ONE-YEAR DURATION OF THIS EXPRESS LIMITED WARRANTY .UPSTAR USA GROUP DISCLAIMS ANY LIABILITY FOR CONSEQUENTIAL OR INCIDENTAL DAMAGES , AND INNOVENTS ALL UPSTAR USA GROUP LIBILITY EXCEEDING IN THE RETAIL VALUE OF THE UNIT FOR BREACH OF ANY WRITTEN OR IMPLIED WARRANTY WITH RESPECT TO THIS UNIT .

This warranty only covers new products purchased from our authorized dealers or retailers . This warranty does not cover used ,salvaged , or refurbished products .

As some states do not allow the limitation or exclusion of incidental or consequential damages , or do not allow limitations on implied warranties ,the above limitations and exclusions may not apply to you . This warranty gives you specific legal rights , and you may also have other rights , and you may also have other rights that vary from state to state .

The Customer Service & Technical Support

1. To obtain warranty service , plesse contact Upstar Customer Service for a Return Material Authorization Number (RMA), You will be required to provide :

- A.A copy of the original sales receipt .
- B.Your full name
- C.Your shipping address , email address , and your telephone number .
- D.The serial number of the product .
- E.A full description of the problem .

Upstar is not responsible for any returned products that have been returned without an assigned RMA .

UPSTAR USA GROUP

1885 S. Vineyard Ave. Suite #1 Ontario , CA91761

For On-Line Registration, Service and Support

Please go to [http:// www.upstarusa.com](http://www.upstarusa.com) , or call Toll Free 9AM to 5:30PM

PST 1(877)908-6777

TEL: (562)927-8098 FAX: (562)927-8068

E-mail : customerservice@upstarusa.com

E-mail : sales@upstarusa.com

Warranty Registration Card

Congratulations, and thank you for your purchase ! Please take the time to mail or fax your completed warranty registration card along with a copy of your original sales receipt within thirty(30)days of your original purchase to:

Company Name: _____

First Name: _____

Last Name: _____

Address: _____

City: _____

State: _____

Zip Code: _____

Phone Number: _____

Fax Number: _____

Email Address: _____

Web Address: _____

Model Number: _____

Quantity: _____

Date of Purchase: _____

Place of Purchase: _____

Serial Number(s): _____

V/1

UPSTAR USA GROUP

1885 S. Vineyard Ave., Suite #1, Ontario, CA 91761

Toll-free: 1-877-908-6777

Tel: 562-927-8098

Fax: 562-927-8068

[Http://www.upstarusa.com](http://www.upstarusa.com)

E-mail: sales@upstarusa.com