

MODEL:

SR4POST25

25U SmartRack® Open Frame Rack



25 Rack Units



1000 lb
Stationary
Load Capacity



Standard 19-inch
Rack Width



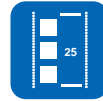
Toolless
Mounting Slots



Adjustable
Rails with Easy-View
Depth Index



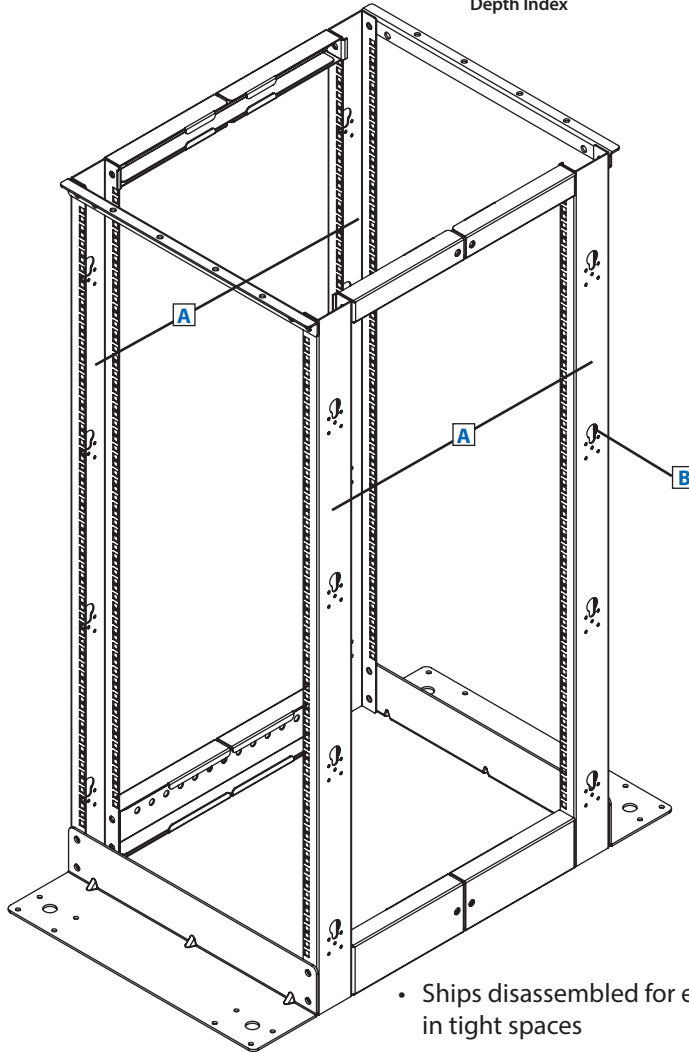
Integrated
Baying Tabs



Square Hole
Mounting

- A** Adjustable Mounting Rails (4)
- B** Toolless Button Holes
(for vertical PDUs or cable managers)

Also Includes: Owner's manual, installation hardware, rackmount equipment mounting hardware (32 cage nuts, 32 screws, 32 washers) and cable management hooks.



- Ships disassembled for easy transport and assembly in tight spaces
- Modular design optimized for quick configuration and reconfiguration
- Multiple units can be bolted together side by side
- Ideal for cost-conscious 19-inch rackmount applications in up to 25U rack space

Specifications

Model	SR4POST25
Rack Spaces	25U
Stationary Load Capacity	1000 lb (453.6 kg)
Unit Dimensions (H x W x D)	49.3 x 20.2 x 22-39.3 in (1252.2 x 513.x 558.8-998.2 mm) (adjustable depth)
Shipping Dimensions (H x W x D)	4.1 x 5.7 x 56.5 in (104.9 x 145 x 1435.1 mm)
Unit Weight	45 lb (20.25 kg)
Shipping Weight	46 lb (20.7 kg)
Regulatory Compliance	Meets EIA-310-D, NOM (Mexico), IEC 60297-3-100, DIN 41494 and RoHS standards

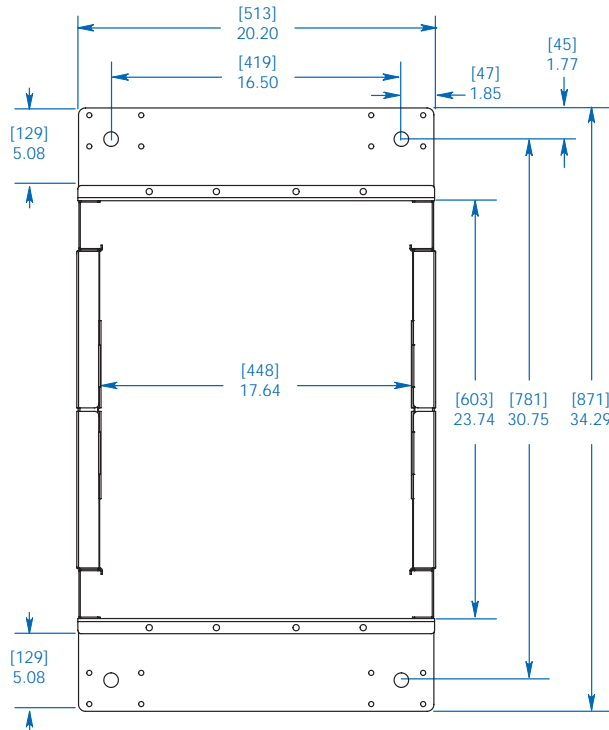
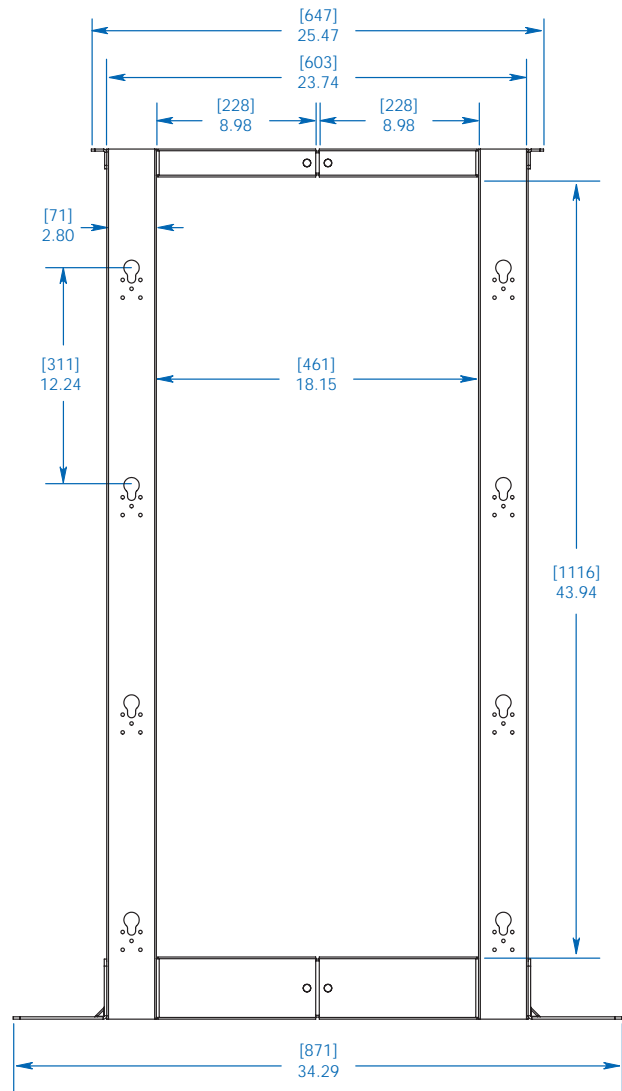
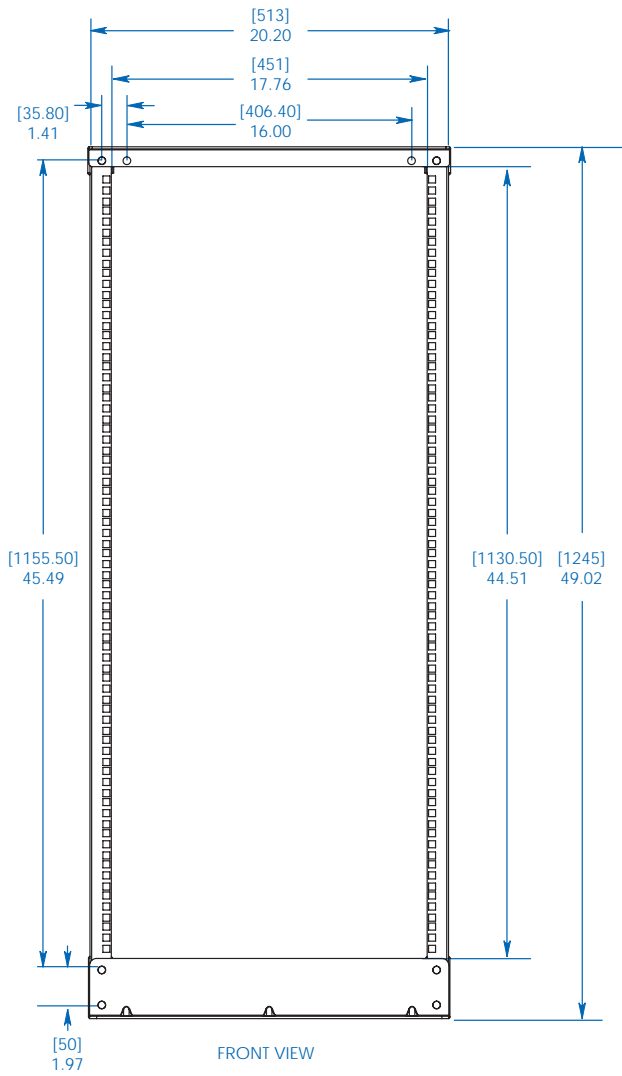
Tripp Lite has a policy of continuous improvement. Specifications are subject to change without notice.



SEE NEXT PAGE FOR DETAILED UNIT MEASUREMENTS



1111 W. 35th Street
Chicago, IL 60609 USA
773.869.1234
www.tripplite.com



Dimensions: [mm] INCHES

Tripp Lite has a policy of continuous improvement. Specifications are subject to change without notice.

MODEL:
SR4POST25
TRIPP·LITE

1111 W. 35th Street
 Chicago, IL 60609 USA
 773.869.1234

www.tripp-lite.com