

Intel LGA775 95W Thermal Solution

P/N : CL-P0497

Intel LGA775 Thermal Solution

Application for Intel Core 2 Duo / Pentium D / Pentium 4 / Celeron D series (Socket LGA775)



Top View



AL Heatsink



Side View



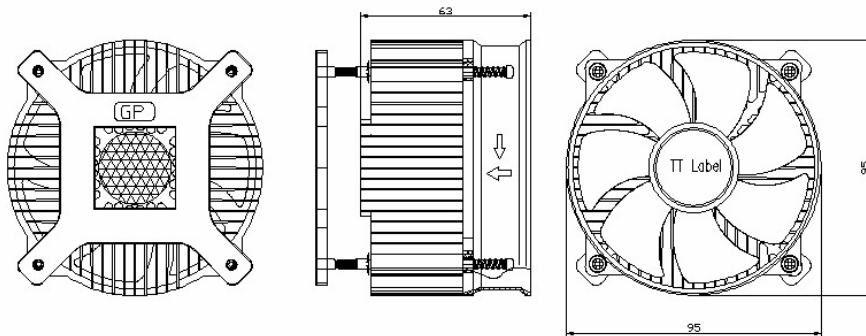
Plastic Backplate

SPECIFICATION	
Compatibility	Intel Core 2 Duo / Pentium D / Pentium 4 / Celeron D series (Socket LGA775)
Dimension	95 x 63 mm
Fan Dimension	92 x 25 mm
Heat Sink Material	Aluminum Extrusion
Rated Voltage	12 V
Operating Range	10.8~13.2 V
Rated Current	0.22 A
Locked Current	0.34 A
Rated Speed	2500 rpm \pm 10%
Air Flow	49.2CFM
Static Pressure	4.77 mmH ₂ O
Noise Level	27 dBA (Max.)
Connector	3 Pin
Bearing	Rifle Bearing
Life expectancy	40,000 Hrs
Weight	370 g

FEATURES:

- . Aluminum extrusion heatsink providing more heat dissipation area
- . Silent operation
- . Optimized solution for low power processors (95W)
- . Backplate and spring screw mounting method ensuring safe installation when shipping

DIMENSION



Unit: mm