

Advanced Green-Mode PWM Controller with Frequency Triple for Peak Power

Rev. 00

General Description

The LD7533 is an advanced Green Mode PWM controller, which is built-in with frequency triple, multi-protections and EMI-improved solution in a SOT-26/ DIP-8 package. It's ideal for applications requiring a cost-effective solution, and minimum component counts and circuit space, especially ideal for high power density and small size product.

The LD7533 is especially designed for switching power supply with peak power. It incorporates frequency triple function and adjustable OLP timer to handle the peak power with delay time. The frequency triple function can reduce the transformer flux and core size.

Furthermore, the frequency swapping function is to reduce the noise level and thus helps the power circuit designers for EMI suppression with minimum amount of component cost and developing time.

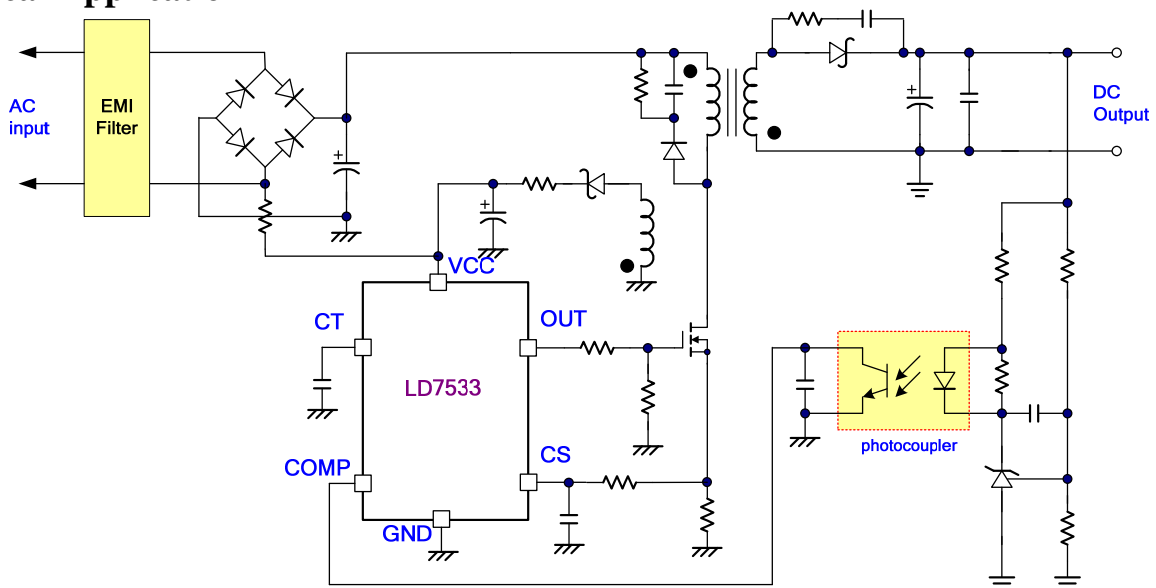
Features

- Frequency Triple for peak power (195kHz)
- Very Low Startup Current (<math><18\mu\text{A}</math>)
- Ultra Low Operating Current at Light Load (<math><1\text{mA}</math>)
- Adjustable OLP (over load protection) delay timer
- Adjustable Soft Start Time
- Current Mode Control with Green Mode Operation
- Out Pin Clamping
- UVLO (Under Voltage Lockout)
- LEB (Leading-Edge Blanking) on CS Pin
- Internal Frequency Swapping for EMI improved
- OVP (Over Voltage Protection) on VCC Pin
- ON-Chip OTP (Over Temperature Protection)
- 300mA Driving Capability

Applications

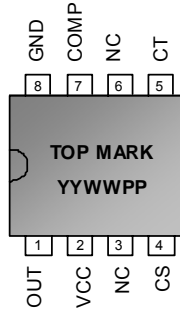
- Switching Power Supply with Peak Power
- Printer, Storage Power Supply

Typical Application

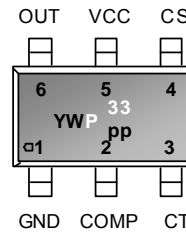


Pin Configuration

DIP-8 (TOP VIEW)



SOT-26 (TOP VIEW)



YY, Y : Year code (D: 2004, E: 2005.....)

WW, W : Week code

pp : Production code

P33 : LD7533

Ordering Information

Part number	Package		Top Mark	Shipping
LD7533 GL	SOT-26	Green Package	YWP/33	3000 /tape & reel
LD7533 GN	DIP-8	Green Package	LD7533 GN	3600 /tube /Carton

The LD7533 is ROHS compliant.

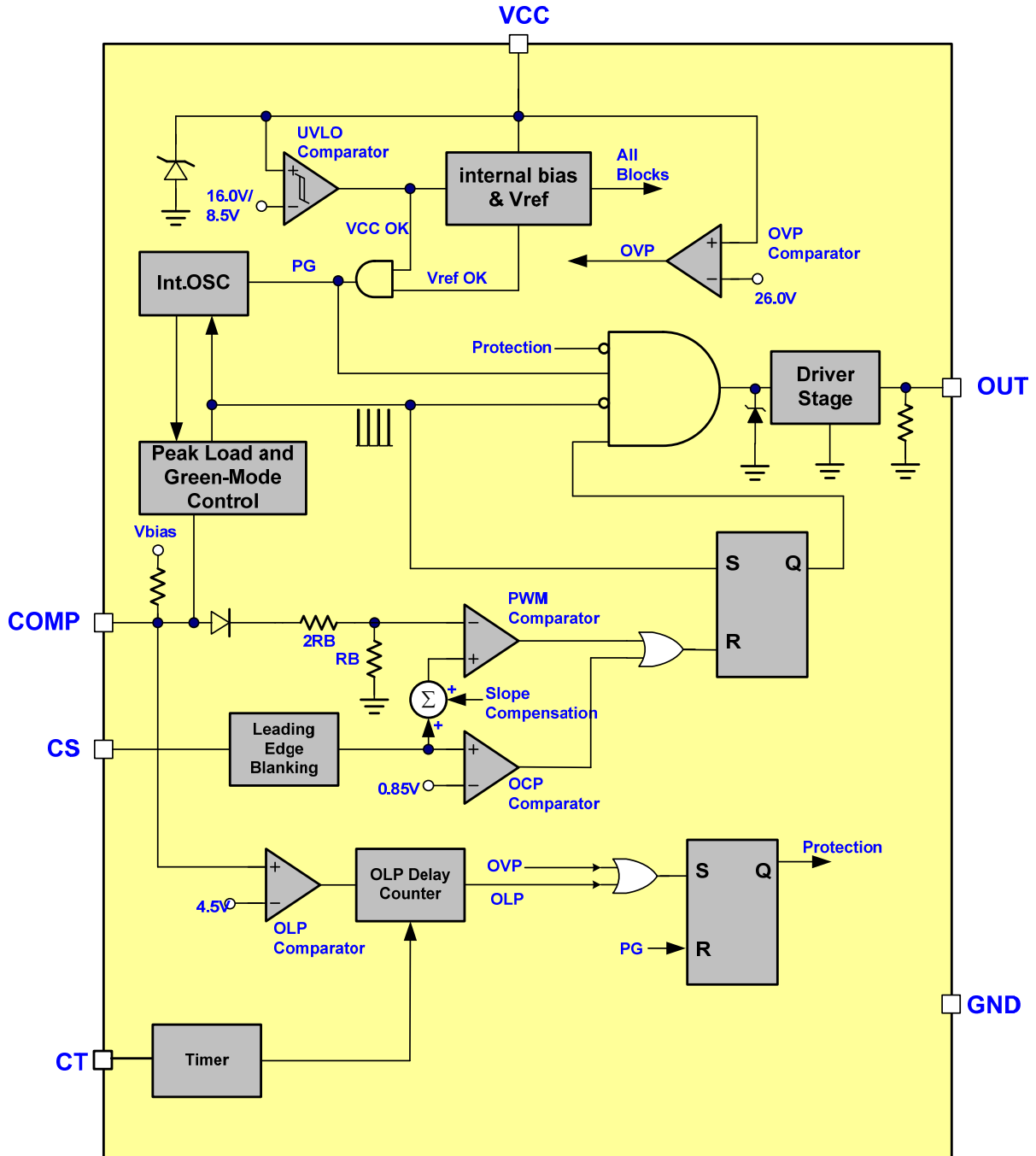
Protection Mode

VCC OVP	OLP
Auto recovery	Auto recovery

Pin Descriptions

PIN SOT-26	PIN DIP-8	NAME	FUNCTION
1	8	GND	Ground
2	7	COMP	Voltage feedback pin (same as the COMP pin in UC384X). Connect a photo-coupler to close the control loop and achieve the regulation.
3	5	CT	This pin is to program the frequency of the low frequency timer. Connecting a capacitor to ground sets the trembling frequency and OLP delay time.
4	4	CS	Current sense pin, connect it to sense the MOSFET current
5	2	VCC	Supply voltage pin
6	1	OUT	Gate drive output to drive the external MOSFET

Block Diagram



Absolute Maximum Ratings

Supply Voltage VCC.....	-0.3V ~29V
COMP, CT, CS.....	-0.3V ~6V
OUT.....	-0.3V ~Vcc+0.3V
Maximum Junction Temperature.....	150°C
Operating Ambient Temperature.....	-20°C to 85°C
Operating Junction Temperature.....	-40°C to 125°C
Storage Temperature Range.....	-65°C to 150°C
Package Thermal Resistance (SOT-26, θ_{JA}).....	250°C/W
Package Thermal Resistance (DIP-8, θ_{JA}).....	100°C/W
Power Dissipation (SOT-26).....	250mW
Power Dissipation (DIP-8).....	650mW
Lead temperature (Soldering, 10sec).....	260°C
ESD Voltage Protection, Human Body Model.....	2.5 KV
ESD Voltage Protection, Machine Model.....	250 V
Gate Output Current.....	300mA

Caution:

Stresses beyond the ratings specified in “Absolute Maximum Ratings” may cause permanent damage to the device. This is a stress only rating and operation of the device at these or any other conditions above those indicated in the operational sections of this specification is not implied.

Recommended Operating Conditions

Item	Min.	Max.	Unit
Supply Voltage Vcc	10	24	V
Start-up Resistor Value	540K	1.8 M	Ω
COMP pin Capacitor Value	4.7	220	nF
CT pin Capacitor Value	0.047	0.47	μ F

Electrical Characteristics

(T_A = +25°C unless otherwise stated, V_{CC}=15.0V)

PARAMETER	CONDITIONS	MIN	TYP	MAX	UNITS
Supply Voltage (Vcc Pin)					
Startup Current			12	18	μA
Operating Current (with 1nF load on OUT pin)	V _{COMP} =0V		1.0		mA
	V _{COMP} =4V		4.0		mA
	OLP, OVP Tripped/ Auto		0.47		mA
UVLO (off)		7.5	8.5	9.5	V
UVLO (on)		15	16	17	V
OVP Level		25	26	27	V
Voltage Feedback (Comp Pin)					
Short Circuit Current	V _{COMP} =0V		0.25		mA
Open Loop Voltage	COMP pin open		5.4		V
Peak Load Mode Threshold Voltage	F _{SW} = FREQ1		3.0		V
Normal Mode Threshold Voltage	F _{SW} = FREQ2		2.7		V
Green Mode Threshold VCOMP			2.25		V
Zero Duty Threshold VCOMP			1.5		V
Zero Duty Hysteresis			100		mV
Current Sensing (CS Pin)					
Maximum Input Voltage, V _{CS_OFF}		0.8	0.85	0.9	V
Leading Edge Blanking Time			230		ns
Internal Slope Compensation	0% to D _{MAX} . (Linearly increase)		300		mV
Input impedance		1			MΩ
Delay to Output			100		ns
Oscillator for Switching Frequency					
Peak Load Mode Frequency, FREQ1		180	195	210	kHz
Normal Mode Frequency, FREQ2		60	65	70	kHz
Green Mode Frequency, FREQG			22		kHz
Trembling Frequency			± 6		%
Temp. Stability	(-20°C ~85°C)		5		%
Voltage Stability	(VCC=10V-25V)			1	%

PARAMETER	CONDITIONS	MIN	TYP	MAX	UNITS
Gate Drive Output (OUT Pin)					
Output Low Level	VCC=15V, I _o =20mA			1	V
Output High Level	VCC=15V, I _o =20mA	8			V
Output Clamp Level	VCC=20V		16		V
Rising Time	Load Capacitance=1000pF	--	170	350	ns
Falling Time	Load Capacitance=1000pF		50	100	ns
Max. Duty			75		%
OLP (Over Load Protection)					
OLP Trip Level		4.3	4.5	4.7	V
OLP Delay Time at start up	CT pin=0.047μF		39		ms
OLP Delay Time	CT pin=0.047μF		33		ms
On Chip OTP (Over Temperature)					
OTP Level			140		°C
OTP Hysteresis			30		°C
Soft Start Duration					
Soft Start Duration	CT pin=0.047μF		9.4		ms

Typical Performance Characteristics

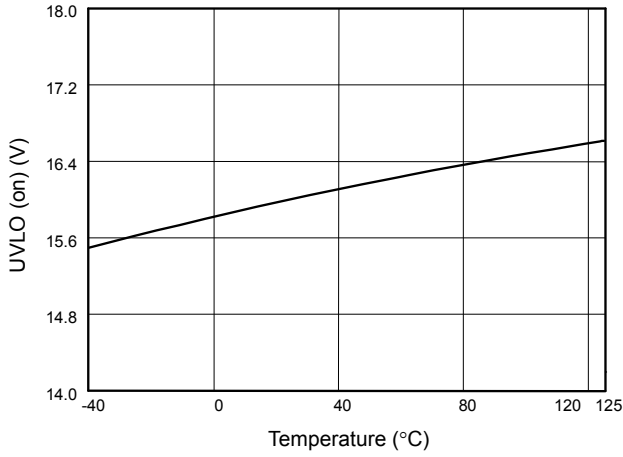


Fig. 1 UVLO (on) vs. Temperature

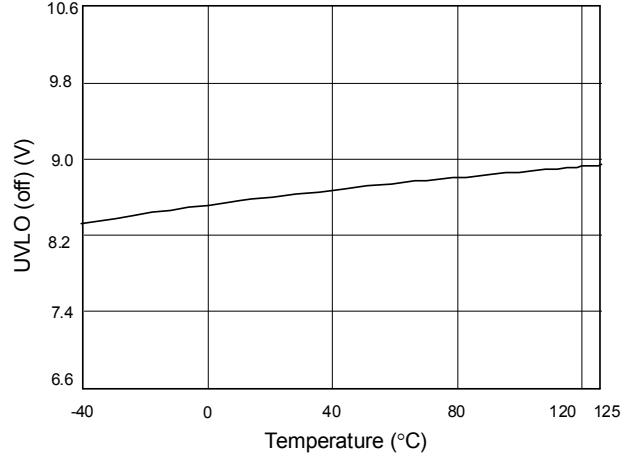


Fig. 2 UVLO (off) vs. Temperature

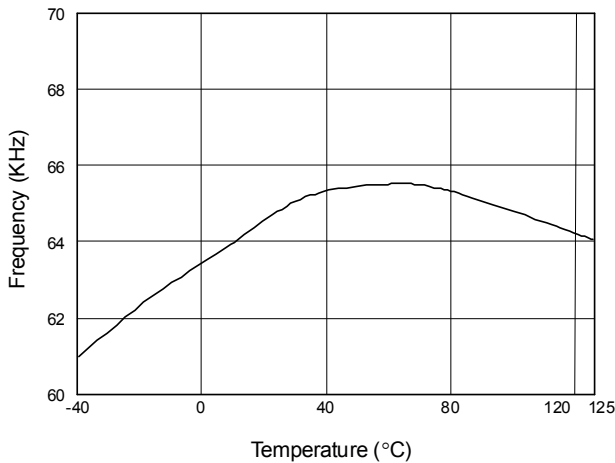


Fig. 3 Normal Mode Frequency vs. Temperature

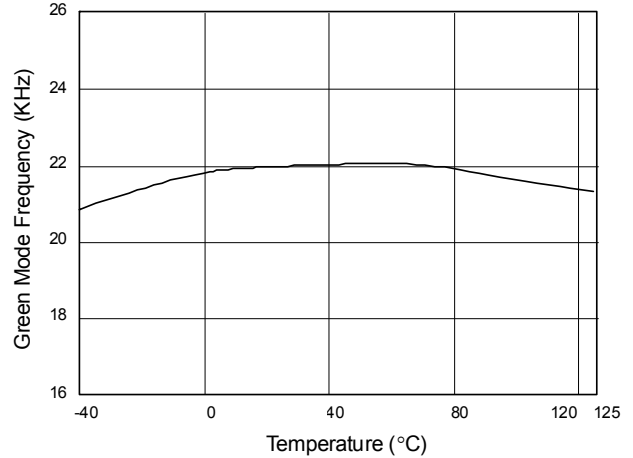


Fig. 4 Green Mode Frequency vs. Temperature

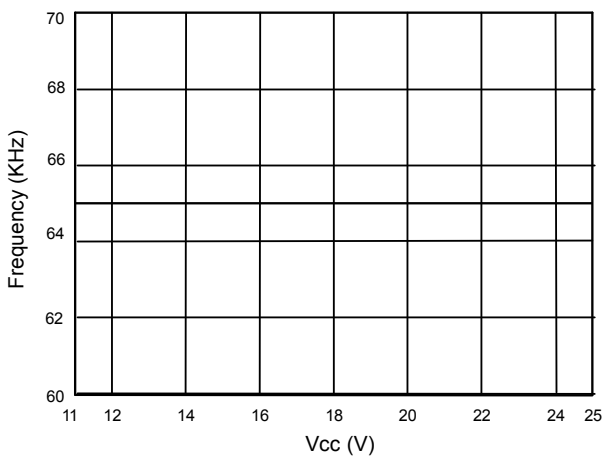


Fig. 5 Frequency vs. Vcc

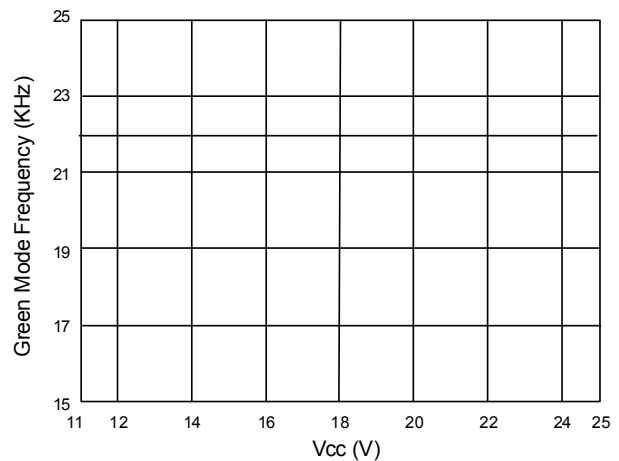


Fig. 6 Green Mode Frequency vs. Vcc

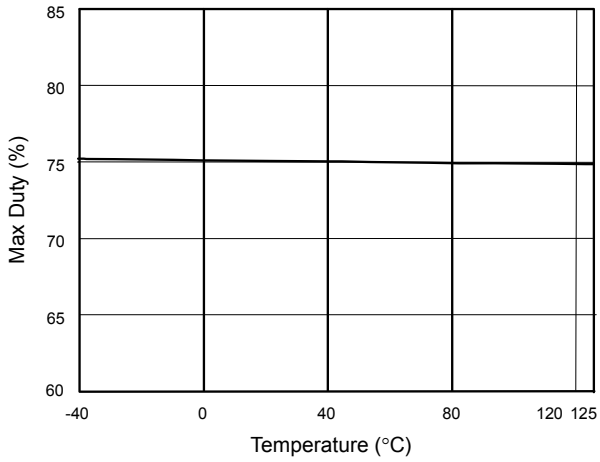


Fig. 7 Max Duty vs. Temperature

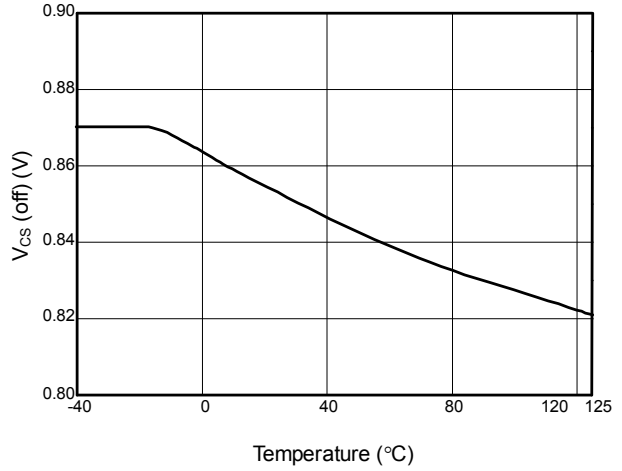


Fig. 8 V_{CS} (off) vs. Temperature

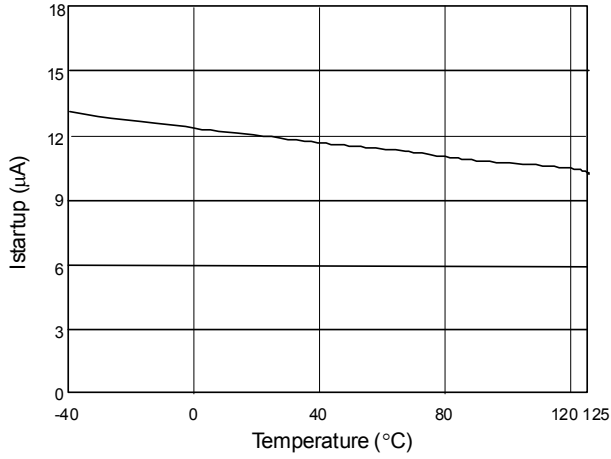


Fig. 9 Startup Current (I_{startup}) vs. Temperature

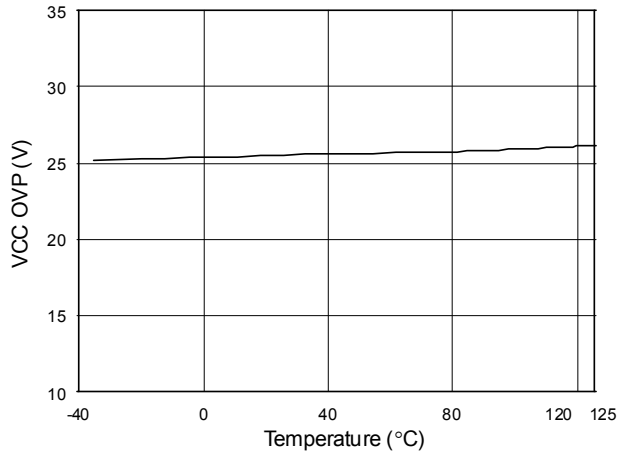


Fig. 10 VCC OVP vs. Temperature

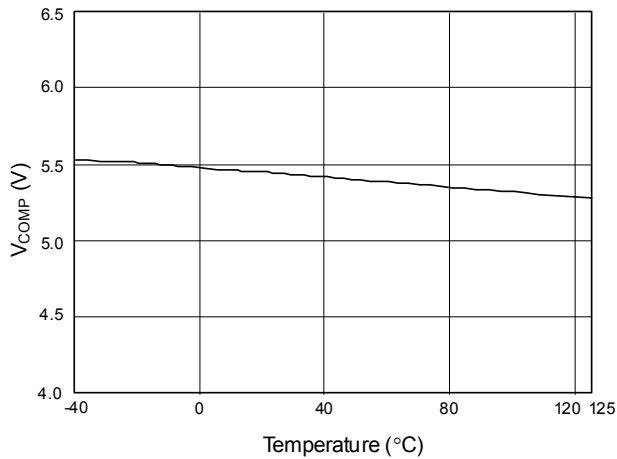


Fig. 11 V_{COMP} open loop voltage vs. Temperature

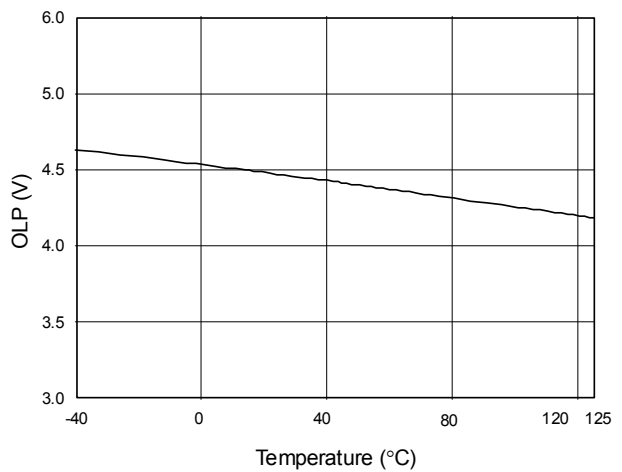


Fig. 12 OLP-Trip Level vs. Temperature

Application Information

Operation Overview

The LD7533 is an advanced Green Mode PWM controller built-in with frequency triple, multi-protections and EMI-improved solution in a SOT-26/DIP package. The LD7533 is especially designed for those switching power supplies with peak power. It incorporates frequency triple function and adjustable OLP timer to handle the peak power with delay time. The frequency triple function can reduce the transformer flux and core size. Its major features are described as below.

Under Voltage Lockout (UVLO)

An UVLO comparator is implemented in it to detect the voltage on VCC pin. It would assure the supply voltage enough to turn on the LD7533 PWM controller and further to drive the power MOSFET. As shown in Fig. 13, a hysteresis is built in to prevent the shutdown from the voltage dip during startup.

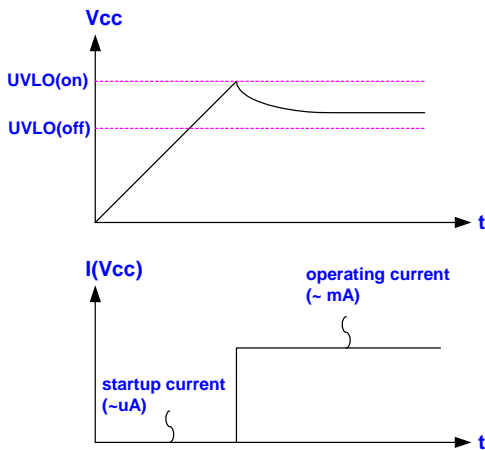


Fig. 13

Startup Current and Startup Circuit

The typical startup circuit to generate VCC is shown in Fig. 14. During the startup transient, VCC is below UVLO threshold. Before it has sufficient voltage to develop OUT pulse to drive the power MOSFET, R1 will provide the startup current to charge the capacitor C1. As soon as VCC obtains enough voltage to turn on the LD7533 and

further to deliver the gate drive signal, it will enable the auxiliary winding of the transformer to provide supply current. Lower startup current requirement for the PWM controller will help to increase R1 value and then reduce the power consumption for R1. By using CMOS process and the special circuit design, the maximum startup current for LD7533 is only 18 μ A.

If a higher resistance value of R1 is chosen, it will usually takes more time to start up. Careful selection for the value of R1 and C1 will optimize the power consumption and startup time.

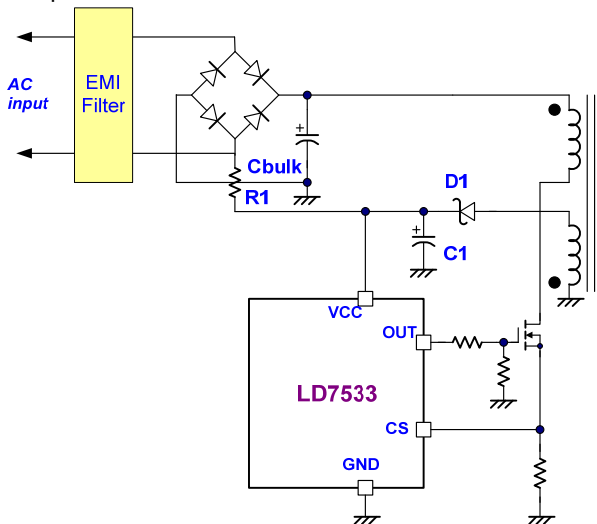


Fig. 14

Oscillator and Switching Frequency

The switching frequency of LD7533 is variable to provide the optimized operations either for peak load, normal load or light load. The LD7533 will increase its switching frequency up to 195 kHz to deliver the peak output power. In light load conditions, the LD7533 operates at a lower frequency to reduce the switching loss. The minimum frequency is limited to 20 kHz to avoid the generation of audible noise.

Fig. 15 shows the characteristics of the switching frequency vs. COMP voltage (V_{COMP}). In peak load, V_{COMP} is higher than V_{IN} (2.7V) and the switching frequency will start to linearly increase from 65kHz to 195kHz. In light load, V_{COMP} is lower than V_{G1} (2.25V) and the switching frequency will start to decrease from 65kHz to 20kHz linearly.

The LD7533 can be turned off by pulling COMP pin below 1.5V. Its duty will drop to zero immediately under such condition.

Frequency Swapping (LD property)

The LD7533 is built in with adjustable Frequency Swapping function, which enables the power supply designers to optimize EMI performance and system cost. The swapping frequency is internally set for $\pm 6\%$ of switching frequency.

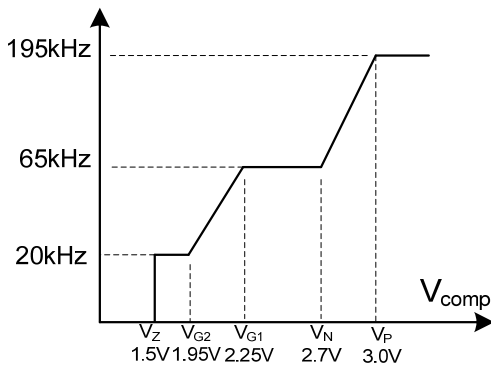


Fig. 15

Output Stage and Maximum Duty-Cycle

An output stage of a CMOS buffer of typical 300mA driving capability is incorporated to drive a power MOSFET directly. And the maximum duty-cycle of the LD7533 is limited to 75% to avoid the transformer saturation.

Current Sensing and Leading-edge Blanking

The typical current mode of PWM controller feedbacks both of current signal and voltage signal to close the control loop and achieve regulation. As shown in Fig. 16, the LD7533 detects the primary MOSFET current on CS pin, which is not only for the peak current mode control but also for the pulse-by-pulse current limit. The maximum voltage threshold of the current sensing pin is set at 0.85V. From above, the MOSFET peak current can be obtained from below.

$$I_{PEAK(MAX)} = \frac{0.85V}{R_S}$$

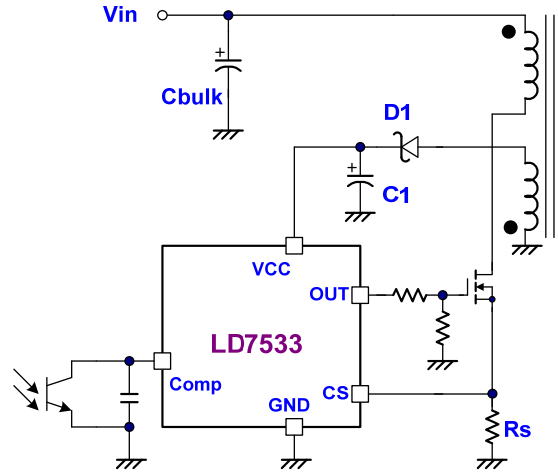


Fig. 16

A leading-edge blanking (LEB) time is included in the input of CS pin to prevent the false-trigger from the current spike. In the low power application, if the total pulse width of the turn-on spikes is less than LEB and the negative spike on the CS pin below -0.3V, the R-C filter is free to eliminate, as shown in Fig.17.

However, the total pulse width of the turn-on spike is determined according to the output power, circuit design and PCB layout. It is strongly recommended to add a smaller R-C filter (as shown in Fig. 18) for larger power application to avoid the CS pin from being damaged by the negative turn-on spike.

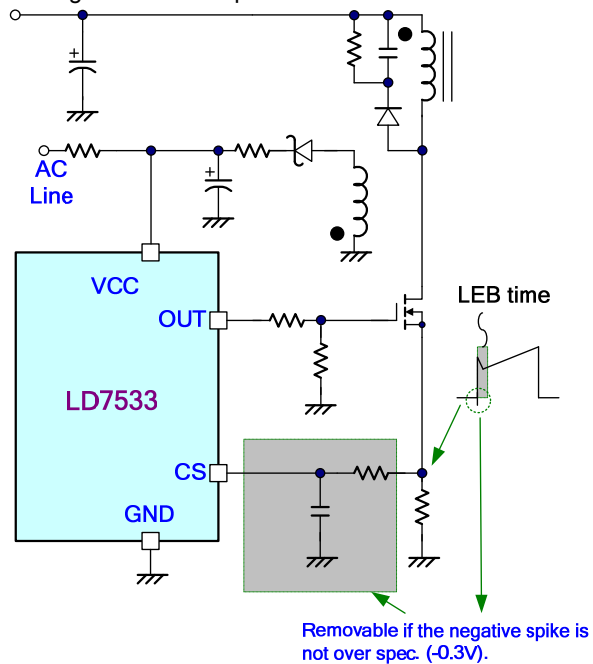


Fig. 17

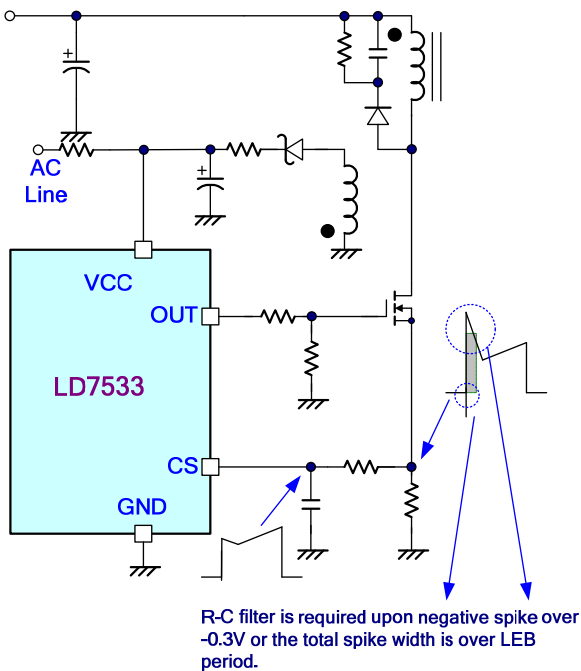


Fig. 18

Voltage Feedback Loop

The voltage feedback signal is provided from the TL431/TL432 at the secondary side through the photo-coupler to the COMP pin of the LD7533. Similar to UC3842, the LD7533 would carry a diode voltage offset at the stage to feed the voltage divider at the ratio of RA and RB, that is,

$$V_{-(PWM_{COMPARATOR})} = \frac{R_B}{R_A + R_B} \times (V_{COMP} - V_F)$$

A pull-high resistor is embedded internally and can be eliminated externally.

Internal Slope Compensation

In the conventional applications, the problem of the stability is a critical issue for current mode controlling, when it operates over 50% duty-cycle. As UC384X, It takes slope compensation from injecting the ramp signal of the RT/CT pin through a coupling capacitor. It therefore requires no extra design for the LD7533 since it has integrated with it already.

Over Load Protection (OLP) - Auto Recovery

To protect the circuit from damage due to over-load, short or open-loop condition, the LD7533 is implemented with smart OLP function. It also features auto recovery function, as Fig. 19 for the waveform. In case of fault condition, the feedback system will force the voltage loop toward the saturation and then pull the voltage high on COMP pin (VCOMP). When V_{COMP} ramps up over OLP threshold of 4.5V for more than OLP delay time, it will start the protection to turn off the gate output and stop the switching of power circuit. The OLP delay time, set by CT pin, is to prevent any false-trigger caused by the power-on and turn-off transient. The higher CT value it is, the more OLP delay time it will take.

The equations for OLP delay time are shown as:

$$T_{OLP} = CT_{(\mu F)} \times 825(\text{ms}) \text{ during start-up}$$

$$T_{OLP} = CT_{(\mu F)} \times 700(\text{ms}) \text{ after start-up}$$

With the protection, the average input power will be minimized to remain the component temperature and stress within the safe operating area.

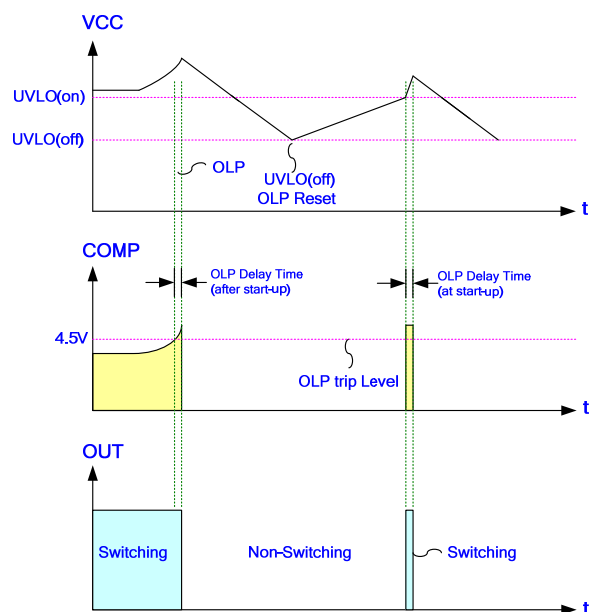


Fig. 19

OVP (Over Voltage Protection) on Vcc - Auto Recovery

The maximum VGS ratings of the power MOSFETs are mostly for 30V. To prevent the VGS from entering fault condition, LD7533 series are implemented with OVP function on VCC. Whenever VCC voltage rises above the OVP threshold, the output gate drive circuit will be shutdown simultaneously and the switching of the power MOSFET is disabled until the next UVLO(on).

VCC and OVP functions are auto-recoverable. If the OVP condition, usually caused by open-loop of feedback, is not released, VCC will trip OVP level again and shutdown the output. VCC works in hiccup mode. Fig. 20 shows its operation.

Soon after OVP condition is removed, VCC level will resume and the output will return to the normal operation.

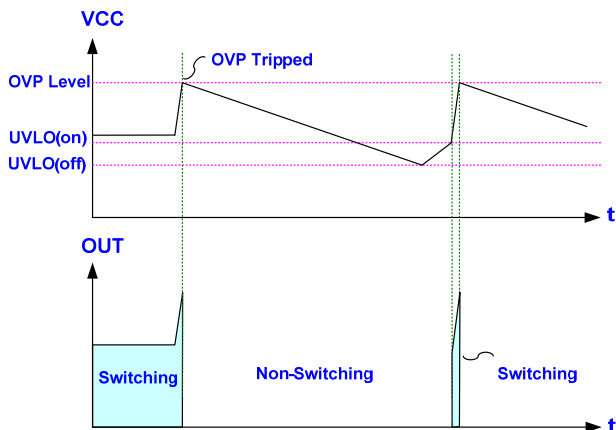


Fig. 20

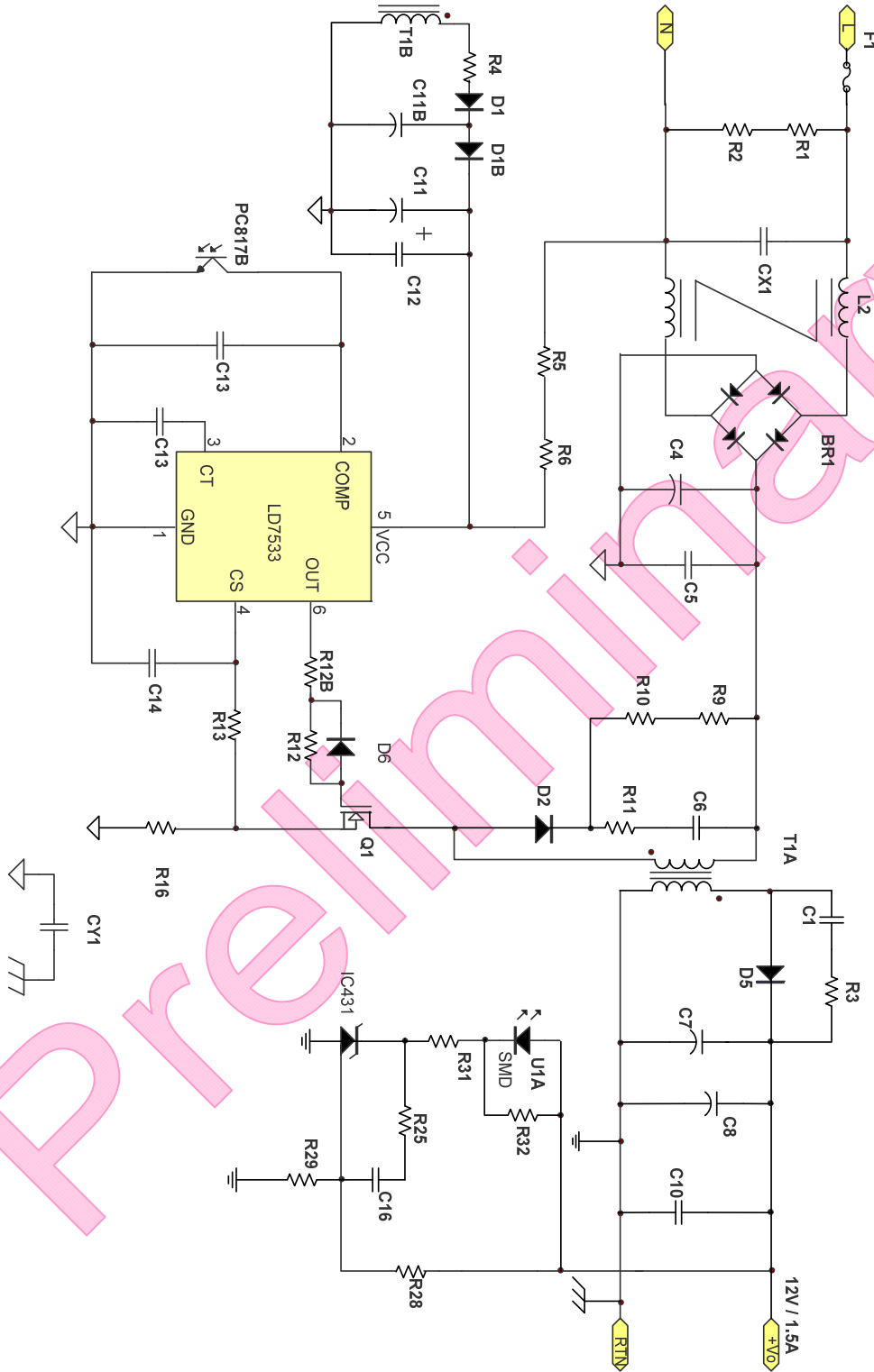
Fault Protection

There are several crucial protections integrated in the LD7533 to prevent from damage to the power supply. Those damages usually come from open or short conditions.

In case of such conditions listed below, the gate output will turn off immediately to protect the power circuit.

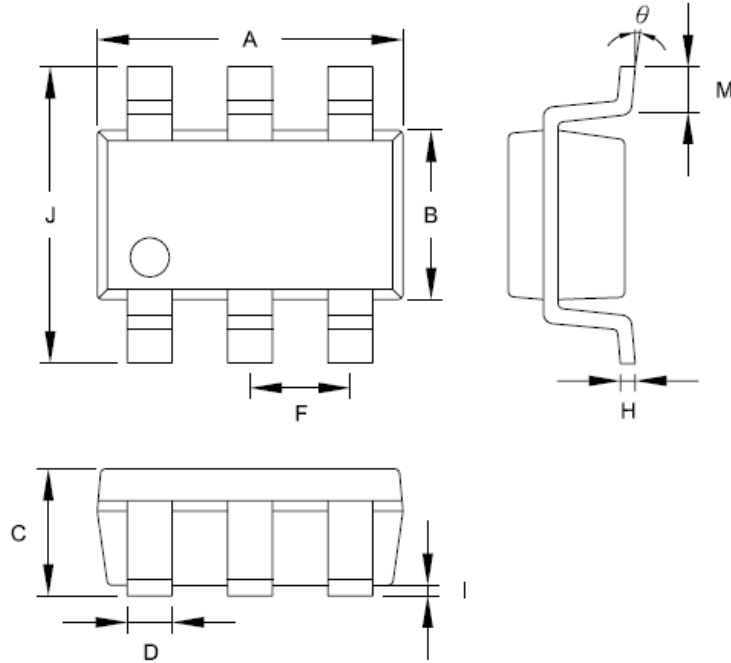
1. CS pin floating
2. COMP pin floating

Reference Application Circuit --18W (12V/1.5A, Peak 3A), no-load <0.1W



Package Information

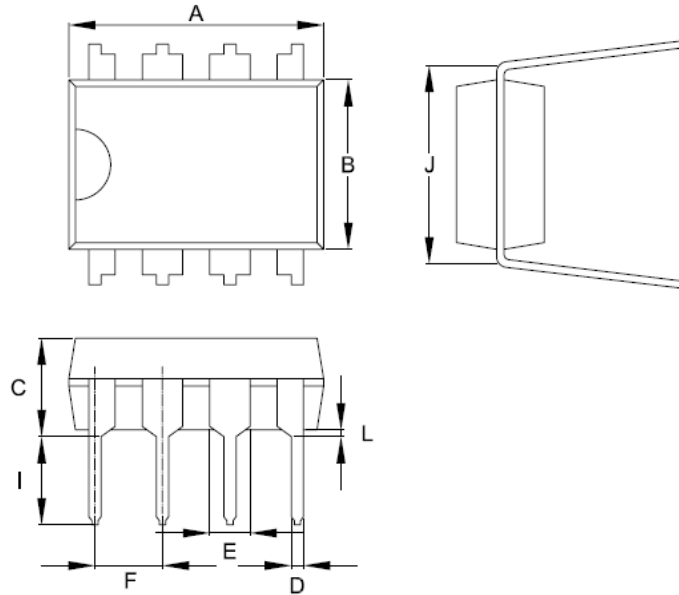
SOT-26



Symbol	Dimension in Millimeters		Dimensions in Inches	
	Min	Max	Min	Max
A	2.692	3.099	0.106	0.122
B	1.397	1.803	0.055	0.071
C	-----	1.450	-----	0.057
D	0.300	0.500	0.012	0.020
F	0.95 TYP		0.037 TYP	
H	0.080	0.254	0.003	0.010
I	0.050	0.150	0.002	0.006
J	2.600	3.000	0.102	0.118
M	0.300	0.600	0.012	0.024
θ	0°	10°	0°	10°

Package Information

DIP-8



Symbol	Dimension in Millimeters		Dimensions in Inches	
	Min	Max	Min	Max
A	9.017	10.160	0.355	0.400
B	6.096	7.112	0.240	0.280
C	-----	5.334	-----	0.210
D	0.356	0.584	0.014	0.023
E	1.143	1.778	0.045	0.070
F	2.337	2.743	0.092	0.108
I	2.921	3.556	0.115	0.140
J	7.366	8.255	0.29	0.325
L	0.381	-----	0.015	-----

Important Notice

Leadtrend Technology Corp. reserves the right to make changes or corrections to its products at any time without notice. Customers should verify the datasheets are current and complete before placing order.

Revision History

Rev.	Date	Change Notice
00	9/3/2010	Original Specification