

# Welcome! Read This First

## RKS1314 Quick Installation Guide

**Synology Inc.**  
3F-3, No. 106,  
Chang An W. Rd., Taipei,  
Taiwan  
Tel : +886 2 2552 1814

**Synology America Corp.**  
13343 NE Bel-Red Road,  
Bellevue, WA 98005,  
USA  
Tel : +1 425 818 1587

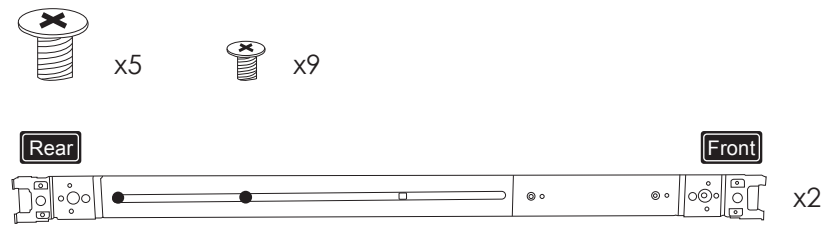
**Synology France**  
39 rue Louis Blanc,  
92400 Courbevoie,  
France  
Tel : +33 (0) 1 47 17 62 88

**Synology GmbH**  
Grafenberger Allee 125,  
40237 Düsseldorf,  
Deutschland  
Tel : +49 211 9666 9666

**Synology UK Ltd.**  
Etheridge Avenue, Brinklow,  
Milton Keynes, MK10 0BP,  
United Kingdom  
Tel : +44 1908 587422

www.synology.com | Copyright © 2013, Synology Inc. All rights reserved. Synology, the Synology logo are trademarks or registered trademarks of Synology Inc. Other product and company names mentioned herein may be trademarks of their respective companies.

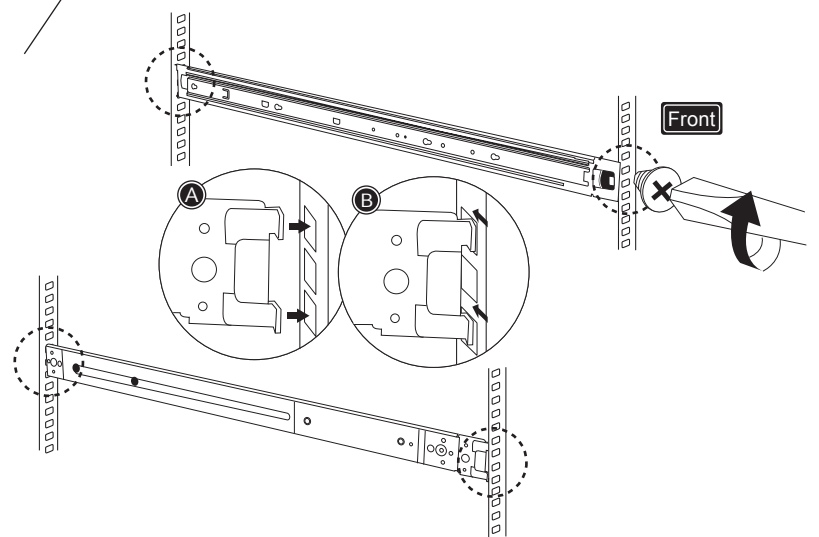
### Rail Kit Installation



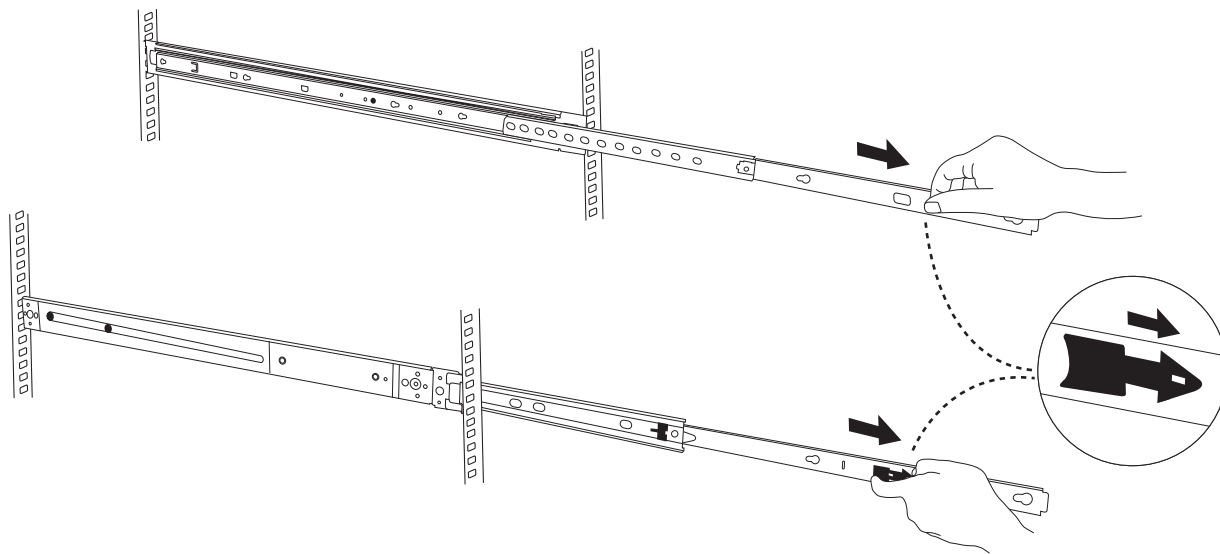
**Before starting, make sure you have the following:**

1. Another person to help with installation.
2. A screw driver (only for 13-series and older RackStation models).
3. Your RackStation or Expansion Unit.

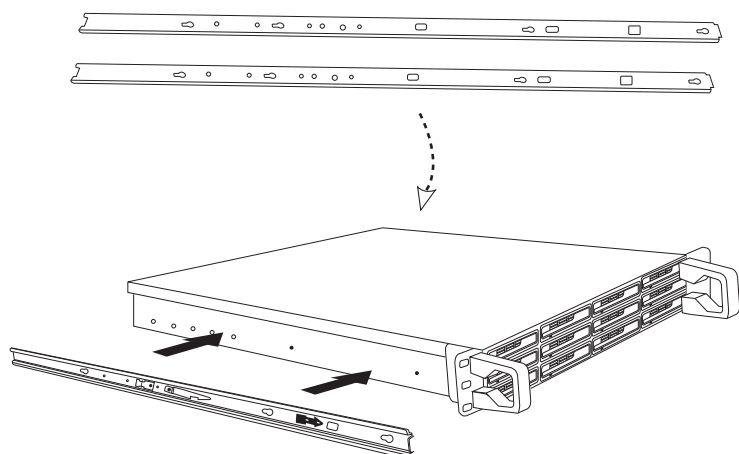
**1.** Attach the rail assembly to your rack by inserting the brackets into the guide holes. Use the big screws to secure the assembly if necessary.



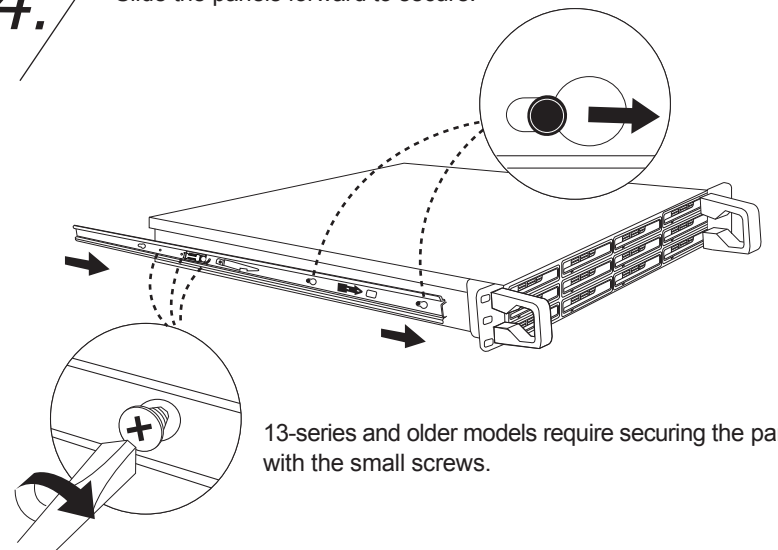
**2.** Extend the rails. Then pull the arrow-shaped latches to unlock and remove the smallest panels.



**3.** Attach the panels to the sides of the unit.

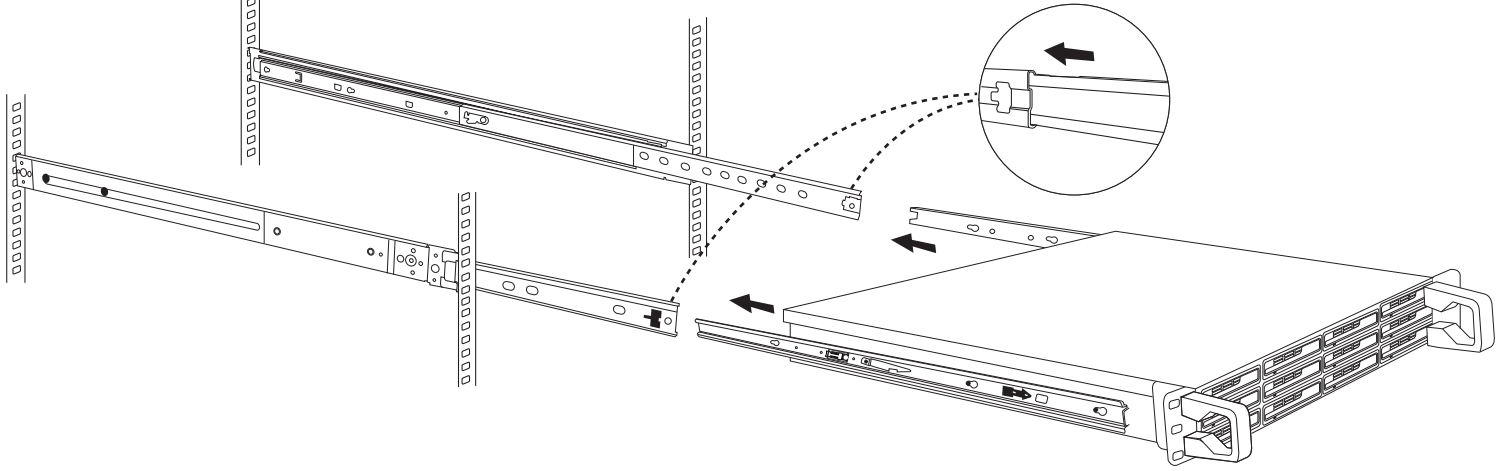


**4.** Slide the panels forward to secure.

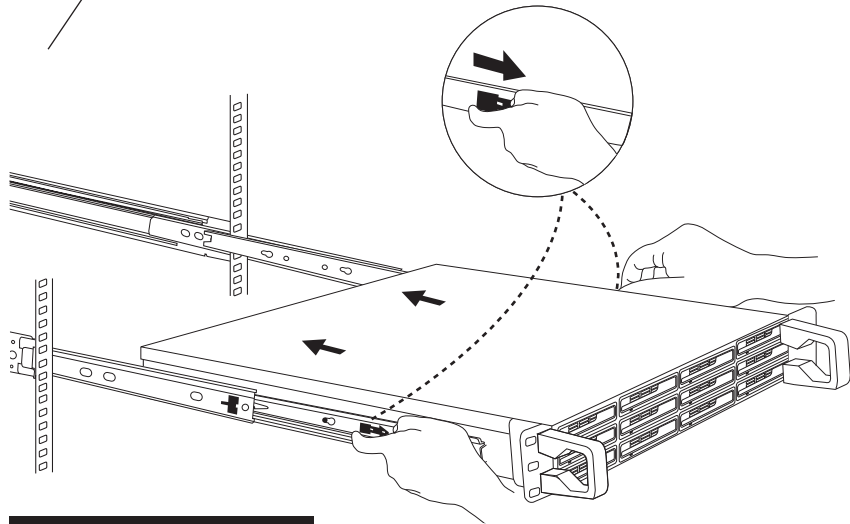


13-series and older models require securing the panels with the small screws.

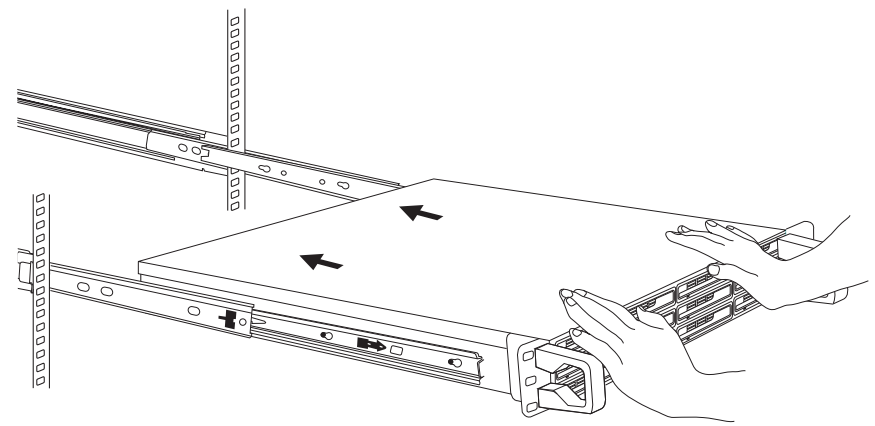
5. Insert the unit into the rail assembly. Because the unit might be heavy, we recommend asking another person to help.



6. Pull the latches on the smallest panel to unlock the rails and slide the unit into the rack.

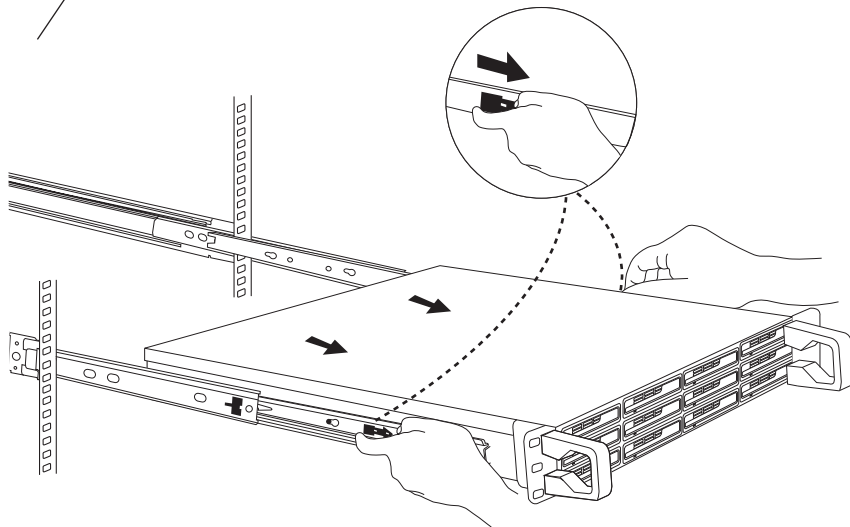


7. Gently push the unit inside. Be careful not to hurt your fingers.

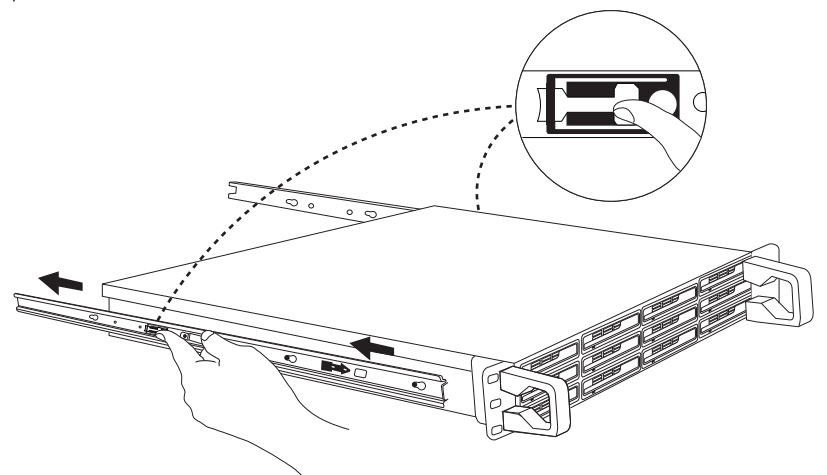


## Rail Kit Removal

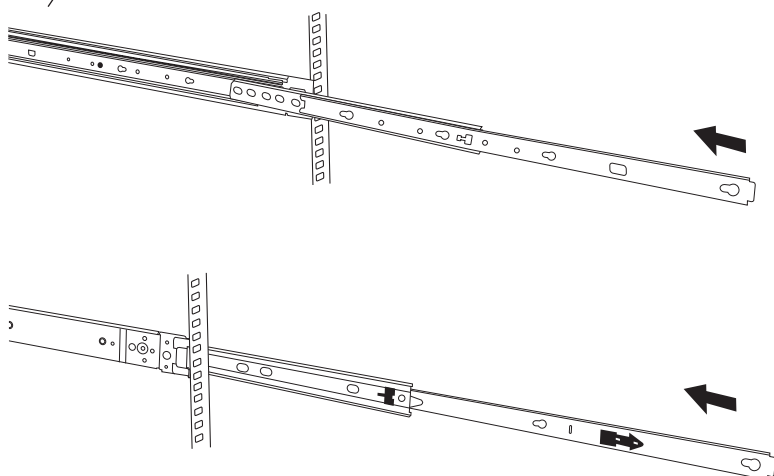
1. Remove the unit and smallest panels from the rail assembly.



2. Remove any screws if necessary and press the latches on the panels to remove them from the unit.



3. Reinsert the panels into the rail assembly and slide them all the way in.



4. Remove any screws if necessary and press the latches located on the brackets to release the rails from the rack.

