



**T&B**<sup>®</sup>

**Hardware & Rough-In**  
**T&B Catalog Number:**

**UPC Number:**  
**Status:**  
**Description:**

12-105  
 78378612105  
 Active

Non-metallic Nylon Clamp

**Features**

Screw hole size .203 for #10 screw  
 Cost effective

**General**

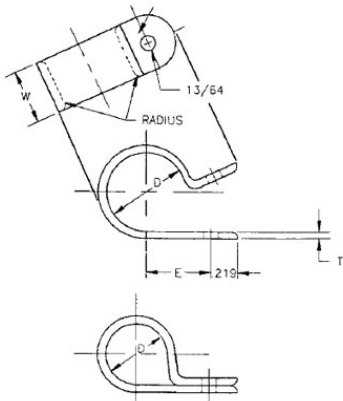
Temperature Range -40 degree F - 176 degree F

**Dimension Information**

Dimension D (inches) 5/16  
 Dimension E (inches) 29/64  
 Dimension T (inches) 3/64  
 Dimension W (inches) 3/8

**Packaging**

T&B Order Multiple 100  
 T&B Inner Pack 100  
 Package in Units 1000  
 T&B Sold in UOM Each  
 T&B Weight Per UOM 0.26 lbs. per 100



**For further technical assistance, please contact us...**

Thomas & Betts - USA  
 8155 T&B Blvd.  
 Memphis, TN 38125  
 www.tnb.com

T&B Technical Support  
 MS 3B-50  
 8155 T&B Blvd.  
 Memphis, TN 38125

Hours: 7AM - 6PM CDT  
 Monday-Friday  
 Phone: (888) 862-3289  
 Fax: (901) 252-1321  
 Email:techsupport@tnb.com