

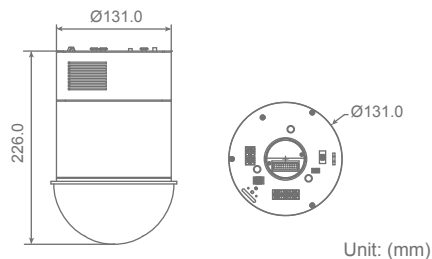
High Speed Dome Camera

DynaHawk™ 701 / 801+ Series



Dimension

DH701 Integrated High Speed Dome Camera



Features

Precise and Accurate Dome Camera Performance

- Preset speed up to 400°/sec.
- Preset resolution of 0.1°
- Proportional Pan & Tilt Speed
- Preset Position / Auto-Pan / Sequence / Cruise
- Auto-Calibration
- Digital / Mechanical Image Flip (180°)

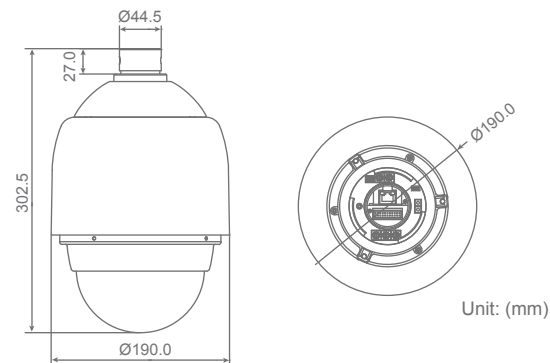
Dynamic Dome Camera Applications

- NEW** • Multi-language OSD
 - Schedule function
- NEW** • Multiple built-in protocols
 - Up to 24 privacy masks
 - 8 alarm inputs, 1 alarm output
 - Motion Detection
 - Flexible indoor / outdoor mountings
 - Compact lightweight design for easy installation
 - Weatherproof housing
- NEW** • Integrated Pelco Coaxitron® support
- NEW** • Integrated BOSCH Biphas® support

Note: Items marked with an asterisk (*) are optional

Dimension

DH801+ Integrated High Speed Dome Camera



Superior Camera Image Quality

- Minimum illumination 0.01 Lux (B/W)
- Digital Slow Shutter
- Electronic Shutter
- Wide Dynamic Range
- Auto White Balance
- Backlight Compensation
- Auto Exposure
- Image Inverse
- Removable IR Cut Filter
- Electronic Image Stabilizer*
- Digital Noise Reduction*

Specification

Item	G Model	M Model	V Model	P Model	T Model
Camera					
CCD Sensor	1/4" EXview CCD	1/4" CCD	1/4" EXview CCD	1/4" CCD	1/4" EXview CCD
Progressive Scan	-	Yes	-	Yes	-
Optical Zoom	18×	23×	26×	35×	36×
Digital Zoom	1× ~ 12× variable				
Effective Pixels	NTSC	380 k			
	PAL	440 k			
Horizontal Resolution	NTSC	530 TVL	540 TVL	530 TVL	530 TVL
	PAL	530 TVL	540 TVL	530 TVL	530 TVL
Scanning System	NTSC / PAL				
Synchronization	Internal / Line Lock				
Video Output	1.0 Vpp / 75 ohm, BNC				
S/N Ratio	> 50 dB (AGC Off)				
Minimum Illumination	0.07 lux, 0.01 lux (B/W)	0.1 lux, 0.01 lux (B/W)	0.09 lux, 0.01 lux (B/W)	0.1 lux, 0.01 lux (B/W)	0.1 lux, 0.01 lux (B/W)
Focal Length	4.1 ~ 73.8 mm	3.6 ~ 82.8 mm	3.5 ~ 91 mm	3.4 ~ 119 mm	3.4 ~ 122.4 mm
Focus Mode	Auto / Manual				
White Balance	Auto / Manual				
Iris Control	Auto / Manual				
Electronic Shutter	NTSC	1/1 ~ 1/10k sec.	1/2 ~ 1/30k sec.	1/1 ~ 1/10k sec.	1/1 ~ 1/10k sec.
	PAL	1/1 ~ 1/10k sec.	1/1.5 ~ 1/30k sec.	1/1 ~ 1/10k sec.	1/1 ~ 1/10k sec.
AGC Control	Auto / Manual				
Back Light Compensation	On / Off				
Operation					
Built-in Protocol	DSCP, Pelco P, Pelco D, AD422, Philips, Kalatel, VCL, JVC, etc.				
Multi-language OSD	English, French, German, Italian, Japanese, Polish, Portuguese, Russian, Spanish, Turkish, S. Chinese, T. Chinese				
Pan Travel	360° endless				
Tilt Travel	-10° ~ 190°				
Manual Speed	0.5° ~ 90°/s				
Presets	256				
Preset Resolution	0.1°				
Preset Speed	5° ~ 400°/s				
Sequence	8				
Auto-Pan	4				
Cruise	8				
Privacy Mask	24	8	24	8	24
Proportional Pan & Tilt	On / Off (Pan and tilt speed is proportional to zoom ratio)				
Resume after Power Loss	Yes				
Zone Title	16				
Home Function	Preset, Sequence, Auto-Pan, Cruise				
Auto-Flip	Digital / Mechanical / Off				
Digital Slow Shutter	On / Off	On / Off	On / Off	On / Off	On / Off
Electronic Image Stabilizer	-	-	-	On / Off	-
Motion Detection	On / Off	On / Off	On / Off	On / Off	On / Off
Wide Dynamic Range	On / Off	On / Off	On / Off	On / Off	On / Off
Day / Night: IR Cut Filter	On / Off	On / Off	On / Off	On / Off	On / Off
Image Freeze	On / Off	On / Off	On / Off	On / Off	On / Off
Image Inverse	On / Off	On / Off	On / Off	On / Off	On / Off
Digital Noise Reduction	-	On / Off	-	On / Off	-
Alarm Input	8				
Alarm Output	1				
Alarm Reaction	Preset, Sequence, Auto-Pan, Cruise				
General					
Environment	Indoor / Outdoor				
Controller Interface	RS-485				
Operating Temperature	DH701	0 °C ~ 40 °C (32 °F ~ 104 °F)			
	DH801+	-45 °C ~ 50 °C (-49 °F ~ 122 °F)			
Weatherproof Standard	IP66 Standard (DH801+ series only)				
Dimension	DH701	Ø 131 × 226 mm (Ø 5.2 × 8.9 inches)			
	DH801+	Ø 172 × 302.5 mm (Ø 6.7 × 11.9 inches) / Ø 190 × 302.5 mm (Ø 7.5 × 11.9 inches), with sunshield			
Weight	DH701	1.6 Kg (3.5 lbs)			
	DH801+	2.6 Kg (5.7 lbs)			
Power Source	DH701	DC 12V / AC 24V ± 10%			
	DH801+	AC 24V ± 10%			
Power Consumption	DH701	20 W			
	DH801+	65 W (with heater)			
Regulatory	CE, FCC, RoHS				

Product specification and availability subject to change without notice. Certain product names mentioned herein may be trade names and / or registered trademarks of their companies.