

WINAUTO



(044)361-05-06

ICQ:495-089-192

(067)469-02-12

ICQ:613-211-859

(099)048-99-03

(093)672-77-76

User's Manual

Facia Plate Scosche HA1561ETB for Honda Civic

In the online store Winauto you also can [buy Facia Plate Scosche HA1561ETB Honda Civic](#). Delivery in Kyiv and throughout Ukraine with payment upon receipt!

winauto.ua



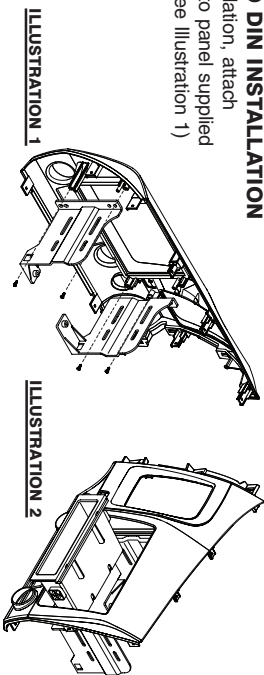
Sale - Car Receivers - Facia Plates - Head Units - Car TVs and Monitors - Antennas - Car Audio - DVR - GPS Navigation - Trip Computers - Car Alarm Systems - Mechanical Locking - Parking Systems - Car Cameras - Xenon and Lights - Established Optics - Tuning - Car Heating and Cooling - Sound Marine and Electronics - Car Accessories - Isolation - Installation Components - Batteries, Power - Oils and Fluids -



KIT PANEL ASSEMBLY

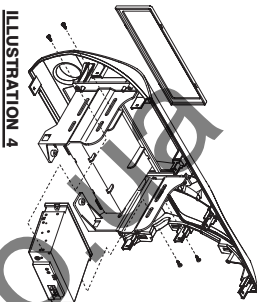
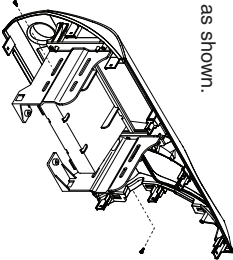
A. SINGLE ISO DIN INSTALLATION

For ISO installation, attach ISO brackets to panel supplied (4) screws. (See illustration 1)



B. ATTACHING THE POCKET

1. Align the pocket to the lower edge of the opening in the panel. Then slide in, as shown. The front of the pocket should rest flush to front of panel. (See illustration 2)
2. Install (2) pocket screws as shown. (See illustration 3)

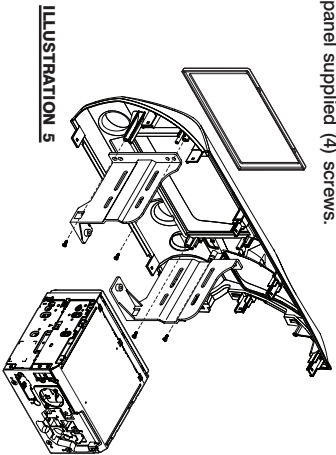


C. MOUNTING THE RADIO

Align, position and bolt ISO-DIN head unit and snap trim ring into place. (See illustration 4)

MOUNTING THE RADIO (2 Single ISO DIN/DBL ISO DIN)

1. For ISO installation, attach ISO brackets to panel supplied (4) screws.
2. Align, position and bolt the aftermarket two ISO-DIN or one Double DIN head unit, and snap trim ring into place. (See illustration 5)



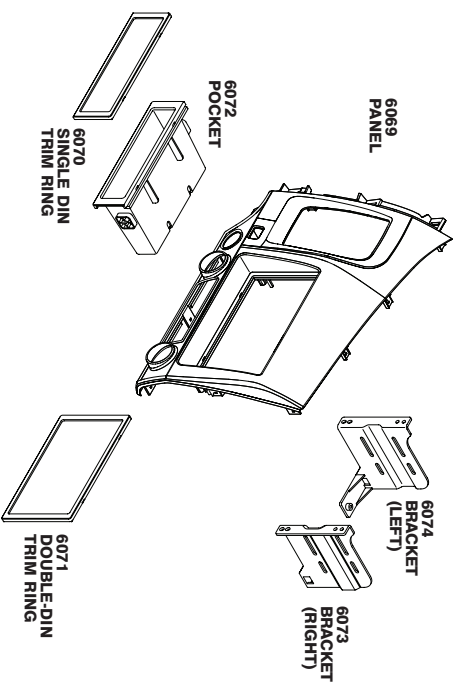
RADIO REMOVAL

1. Using a panel removal tool, unsnap panel located beneath radio inside storage compartment.
2. Extract two 8mm bolts from behind panel, securing factory radio to dash chassis.
3. The panel closest to foot pedal will have a release knob that will have to be turned counter clockwise to release panel; unsnap the remaining attached portion of the panel.
4. Using a panel removal tool, unsnap knee guard under steering wheel.
5. Extract (1) Phillips head screw securing dash bezel located at the left of the steering wheel.
6. Using panel removal tool, unsnap the parameter of the top dash surrounding radio and instrument cluster.
7. Radio is attached to the dash bezel.
8. Lift away, disconnected harness, and remove.

SCOSCHE

HA1561DGB/HA1561ETB/HA1561BMB

2006 HONDA CIVIC DASH REPLACEMENT KIT



INTRODUCTION

This premium installation kit is for 2006 Honda Civic vehicles. Included are all the parts you need to mount your car stereo/cassette or CD player into your vehicle's dash. Refer to the individual instruction in this manual to remove your vehicle's factory radio and assemble the kit.

CAUTION:

DISCONNECT YOUR VEHICLE'S NEGATIVE BATTERY TERMINAL BEFORE THE INSTALLATION TO HELP PREVENT ELECTRICAL DAMAGE. WE RECOMMEND THE USE OF A VOLT/OHM METER OVER A TEST LIGHT TO CHECK WIRING. A TEST LIGHT OR GROUNDED WIRE PROBE CAN CAUSE DAMAGE TO THE VEHICLE'S COMPUTER AND/OR DIAGNOSTIC SYSTEMS. AVOID ALL FACTORY AIRBAG WIRING - AIRBAGS CAN ACCIDENTALLY DEPLOY CAUSING SERIOUS INJURY OR DEATH.

NOTES:

- See your vehicle's instructions for any special tools your installation might require.
- Read all instructions accompanying your car stereo/cassette player for proper wiring and mounting instructions.

FACTORY WIRING CODES

For Factory Wiring Codes go to: www.scosche-cars.com

CAR STEREO CONNECTORS		HA10	HAAB
PROVIDE EASY CONNECTION OF YOUR CAR STEREO TO FACTORY WIRING HARNESS.		HA10 2006-UP Honda	HAAB 2006-UP Honda
			

LIABILITY DISCLAIMER

This instruction booklet is based on carefully documented data and research of automobile dash disassembly, wire harness/codes and information pertaining to installation of this kit (HA1561DGB/HA1561ETB) in 2006 Honda Civic Vehicles. Scosche Industries, Inc. can not be held responsible for discrepancies/inconsistencies that may occur due to the automobile manufacturing changes or options, or damage that may occur in the automobile during the installation of components while using this booklet.

If you have any further questions, call

TECH HELP 1-800-621-3695, ext. 3

©2007 SCOSCHE INDUSTRIES, INC.

SI 03/07-HA1561DGB/HA1561ETB/HA1561BMB (3000468)