

RF24FSEDBSR

24 cu. ft. Counter Depth 4-Door Refrigerator with FlexZone™ Drawer

Features

- 4-Door Counter-depth design
- Ultra-High Capacity – 24 cu. ft.
- Twin Cooling Plus System®
- Ice Master Ice Maker in the Refrigerator
- FlexZone™ Drawer with Temperature Control and SmartDivider
- High-Efficiency LED lighting
- Slide-in/Flip-up shelf
- Stainless Steel Accents on Interior shelving and Door bins
- EZ-Open Handle™ on FlexZone™ Drawer and Freezer Door
- Stainless-Look Display
- Flip-up shelves
- Pull out shelves
- Gallon Door Bins
- Two Humidity-Controlled crispers
- Tempered Glass Spill-Proof shelves
- Auto-Out Upper Freezer Drawer

Convenience

- Door Alarm
- Water Filter Indicator

ENERGY STAR® RATED:



Ranked **“Highest in Customer Satisfaction with Refrigerators”**
by J.D. Power and Associates.



French Door design provides easy access to fresh food and flexible storage options.



FlexZone Drawer with Temperature Control and SmartDivider.

Available Color



Stainless Steel

Signature Features



Counter
Depth
4-Door

SLEEK, BUILT-IN LOOK

- Stylish, counter-depth design allows for more work space in the kitchen
- Sleek, built-in look enhances overall kitchen design



24 cu. ft.
Ultra-High
Capacity

ULTRA-HIGH CAPACITY SAVES YOU TRIPS TO THE MARKET

- Our 24 cu.ft. ultra-high capacity counter-depth Four-Door has enough room to fit up to 24 bags of groceries*

*Grocery comparison based on each cubic foot of usable space equalling one paper bag.



Twin Cooling
Plus®

HELPS PRODUCE STAY FRESHER

- Refrigerator air is kept at higher, near-commercial grade humidity levels to keep perishable fruits and vegetables from spoiling quickly**
- Dryer freezer air means less freezer burn for better-tasting frozen foods

**Twin Cooling® humidity levels up to 5x higher than single cooling systems.

SAMSUNG

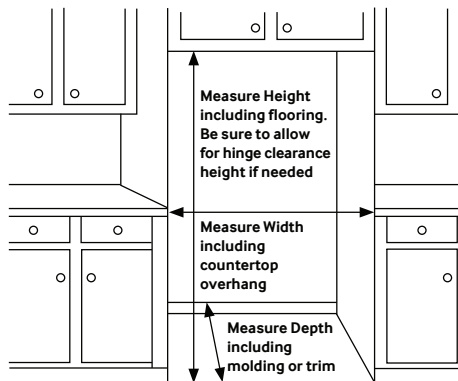
RF24FSEDBSR

24 cu. ft. Counter Depth 4-Door Refrigerator with FlexZone™ Drawer

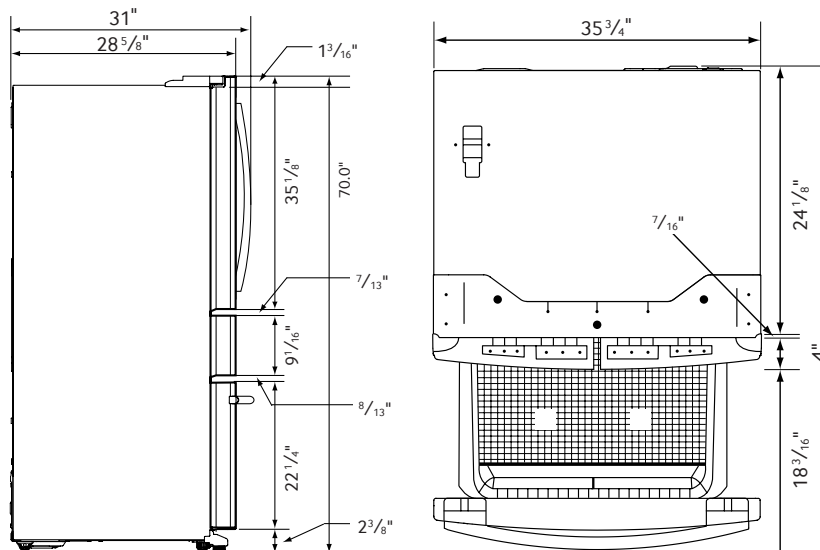
Installing your Refrigerator

1. Measure the height, width and depth of the opening, making sure to include baseboards, molding tile, countertop overhang, etc. Check to be sure there is enough room to open the door (consider walls, islands or other obstacles when measuring).
2. Refer to chart B below to determine dimensions.
3. Allow 2" of clearance on hinge side of refrigerator when installing next to a wall where handle may make contact.
4. Allow 1" minimum clearance at rear for proper air circulation and water/electrical connections. Allow a 3/8" minimum clearance at sides and top for ease of installation.
5. Ensure each door and entry way in the home is wide enough for the refrigerator to be moved through easily.

Please note: The following dimension and cutout information is for planning purposes only. For complete installation details consult manual packed with product, or download manual on-line



Dimensions



Total Capacity: 23.5 cu. ft.

Refrigerator: 13.8cu. ft.

- Premium External Filtered Water and Ice Dispenser
 - Crushed or Cubed Ice
- Ice Master Ice Maker
- High-Efficiency LED Lighting
- 2 Humidity-Controlled Crispers
- 5 Tempered Glass Spill-Proof Shelves
 - 1 Slide-in/Flip-up
 - 1 Flip-up
 - 1 Full Width
 - 2 Fixed
- 6 Clear Door Bins
 - Right Door: 3 Gallon Bins
 - Left Door: 3 Regular Bins

FlexZone Drawer: 3.3 cu. ft.

- EZ-Open Handle™
- 4 Temperature Zones with Smart Dividers:
 - Meat/Fish (29°F)
 - Cold Drinks (33°F)
 - Deli/Snacks (37°F)
 - Wine/Party Dishes (42°F)

Freezer: 6.4 cu. ft.

- 1 Large Guard Freezer Bin
- Auto-Out Upper Drawer
- High-Efficiency LED Lighting
- EZ-Open Handle

Accessories

- Water Filter: HAF-CIN

Warranty

One (1) Year All Parts and Labor
Five (5) Years Sealed System Parts and Labor

Product Dimensions & Weight (WxHxD)

Dimensions without hinges/door:

35 3/4" x 68 7/8" x 24 1/8"

Dimensions with hinges/door:

35 3/4" x 70" x 28 5/8"

Dimensions with hinges/door/handles:

35 3/4" x 70" x 31"

Weight: 346.1 lbs.

Shipping Dimensions & Weight (WxHxD)

Dimensions: 38 1/4" x 76 5/8" x 31 1/8"

Weight: 368.2 lbs.

Color	Model #	UPC Code
Stainless Steel	RF24FSEDBSR/AA	0887276023458

SAMSUNG