

DV42H5000EW

Samsung Front-Load Electric Dryer

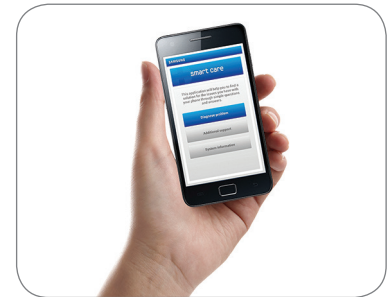
7.5 cu. ft. Capacity DOE

Features

- Smart Care
- 9 Preset Drying Cycles
- 9 Options
- 4 Temperature Settings
- 4-Way Venting
- Sensor Dry – Detects Moisture and Adjusts Drying Time
- Dryer Drum Light
- Reversible See-Through Door

Convenience

- Child Lock
- My Cycle Option
- Lint Filter Indicator



Smart Care



Sensor Dry

Available Color:



White

Signature Features

SMART CARE

- Troubleshoot with your smartphone.
- Perform a quick diagnosis of your washer and dryer right from your smartphone.*

*Available for iPhone 4/4S/5/5S and Galaxy S1/S2/S3/S4 NOTE/NOTE2.

SENSOR DRY

- Automatically adjusts drying time by sensing moisture so your clothes don't over or under dry.

9 DRYING CYCLES

- Multiple cycles for better drying include:

Normal	Heavy Duty	Permanent Press
Bedding	Delicates	Time Dry
Air Fluff	Quick Dry	Wrinkle Release



Ranked **"Highest in Customer Satisfaction with Clothes Dryers"**
by J.D. Power and Associates.

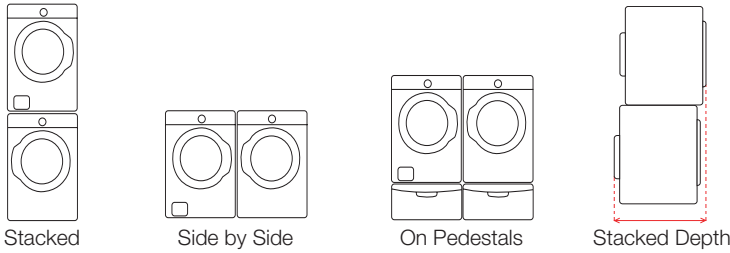
(5 Consecutive Years)

SAMSUNG

DV42H5000EW

Samsung Front-Load Electric Dryer

Installing Options



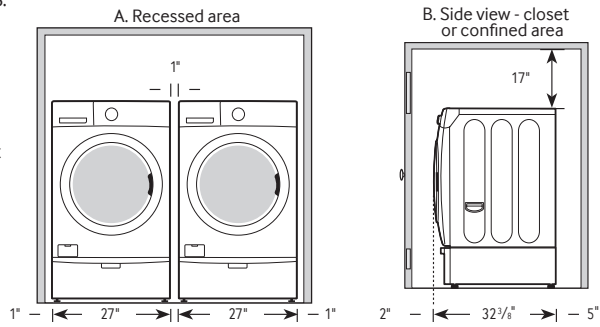
Installing Your Dryer

1. Alcove or closet installation

MINIMUM CLEARANCES FOR CLOSET AND ALCOVE INSTALLATIONS:

Sides – 1" / 25 mm
Rear – 5²⁹/₃₂" / 150 mm
Top – 17" / 432 mm
Closet Front – 2" / 51 mm

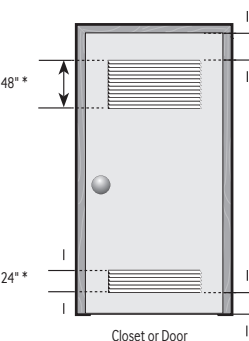
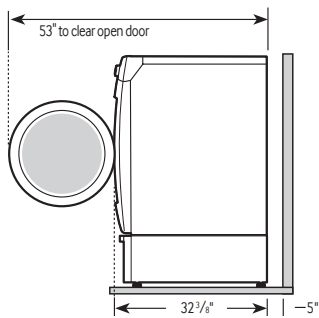
If the washer and dryer are installed together, the closet front must have at least a 72" (465 cm) unobstructed air opening. Your washer alone does not require a specific air opening.



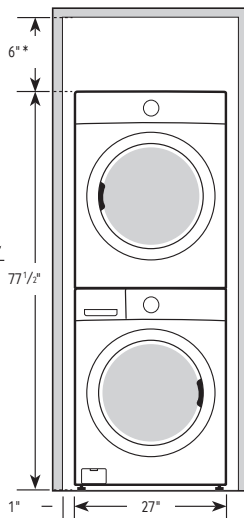
Dimensions

2. With optional pedestal base or stacking kit

Required Dimensions for Installation with Pedestal



Required Dimensions for Installation with Stacking Kit



*Required spacing.
**External exhaust elbow requires additional space.

7.5 cu. ft. Capacity DOE

4-Way Venting

9 Preset Dry Cycles:

Normal, Heavy Duty, Permanent Press, Bedding, Delicates, Time Dry, Air Fluff, Quick Dry, Wrinkle Release

9 Options:

Mixed Load Bell, Wrinkle Prevent, Small Load Care, My Cycle, Adjust Time, Sound, Child Lock, Smart Care, Drum Light

4 Temperature Settings:

High, Medium, Low, Extra Low

4 Dry Levels:

Very Dry, More Dry, Normal Dry, Damp Dry

2 Signal Level Settings:

On/Off

Warranty

One (1) Year Parts and Labor
Two (2) Years Control Board
Three (3) Years Stainless Steel Drum
Ten (10) Years Direct Drive Motor

Product Dimensions & Weight (WxHxD)

Dimensions: 27" x 38¹¹/₁₆" x 32³/₈"

Weight: 126 lbs

Shipping Dimensions & Weight (WxHxD)

Dimensions: 29¹/₄" x 42¹/₄" x 33¹/₂"

Weight: 134 lbs

Electric

Model #

UPC Code

White

DV42H5000EW

887276963167

Gas

Model #

UPC Code

White

DV42H5000GW

887276963174

Matching Washer

White

WF42H5000AW

887276962887

Actual color may vary. Design, specifications, and color availability are subject to change without notice. Non-metric weights and measurements are approximate.

SAMSUNG

Samsung received the highest numerical score for clothes washers (2009-2012) and dryers (2008-2012) in the proprietary J.D. Power and Associates Laundry Appliance Studies. SM 2012 study based on 9,339 total responses measuring 12 brands, and measures opinions of consumers about their washer and dryer obtained new in the past 24 months. Proprietary study results are based on experiences and perceptions of consumers surveyed in January-February 2012. Your experiences may vary. Visit jdpower.com.

©2014 Samsung Electronics America, Inc. 85 Challenger Road, Ridgefield Park, NJ 07660. Tel: 800-SAMSUNG. samsung.com. Samsung is a registered trademark of Samsung Electronics Co. Ltd.