



RF220NCTASR

22 cu.ft. 30 Inch French Door Refrigerator

Features

- 30 Inch Wide
- Large Storage Capacity – 22 cu. ft.**
- Filtered Ice Maker in the Freezer
- High Efficiency LED Lighting
- Wide Open Pantry
- Tempered Glass Spill Proof Shelves
- Two Humidity Controlled Crispers
- Auto Pull Out Upper Freezer Drawer

Convenience

- Cool Tight Door
- Door Alarm
- Removable Ice Caddy

Energy Star Rated

Rated CEE Tier 2: More Efficient
433 kWh / year



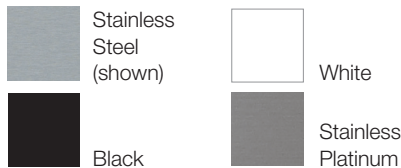
French Door design provides easy access to fresh food and flexible storage options.



High Efficiency LED Lighting.

Signature Features

Available Colors



High-Efficiency LED Lighting

Illuminates Virtually Every Corner.

Samsung's new high-efficiency LED lighting gently brightens the interior of your beautifully organized refrigerator.

Sleek on the Outside, Roomy on the Inside

Striking, sleek design with ample interior storage space. Enjoy fewer trips to the grocery store. Thanks to 22 cu. ft. space – fits up to 22 bags of groceries.***

Wide Open Pantry

Enough Room for Oversized Items.

Store long, flat and wide food items that cannot fit elsewhere. Great for storing party platters and more, without taking up space on other shelves.



Ranked **"Highest in Customer Satisfaction with Refrigerators"** by J.D. Power and Associates.*

* Samsung received the highest numerical score for refrigerators in the proprietary J.D. Power and Associates 2012 Kitchen Appliance StudySM. Study based on 12,615 total responses measuring 17 brands and measures opinions of consumers about their refrigerator obtained new in the past 24 months. Proprietary study results are based on experiences and perceptions of consumers surveyed in January-February 2012. Your experiences may vary. Visit jdpower.com.

** 21.6 cu. ft. measured as per Department of Energy

*** Highest capacity 30" footprint with 22 cu. ft. as of March 2012. Grocery comparison based on each cubic foot of usable space equaling one paper bag.

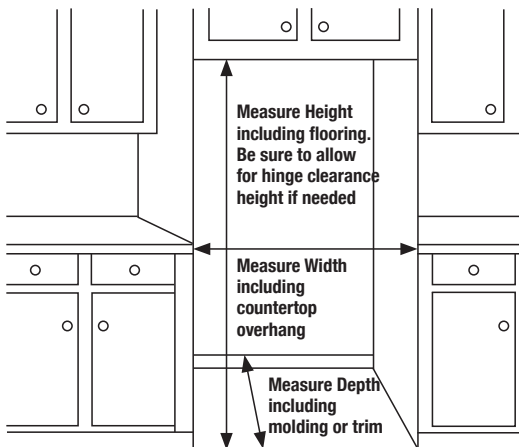
RF220NCTASR

22 cu.ft. 30 Inch French Door Refrigerator

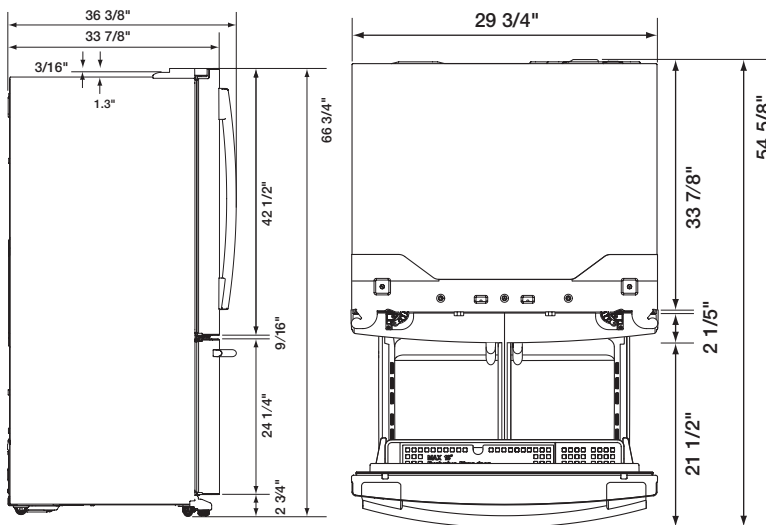
Installing your Refrigerator

1. Measure the height, width and depth of the opening, making sure to include baseboards, molding tile, countertop overhang, etc. Check to be sure there is enough room to open the door (consider walls, islands or other obstacles when measuring).
2. Refer to chart B below to determine dimensions.
3. Allow 2" of clearance on hinge side of refrigerator when installing next to a wall where handle may make contact.
4. Allow 1" minimum clearance at rear for proper air circulation and water/electrical connections. Allow a 3/8" minimum clearance at sides and top for ease of installation.
5. Ensure each door and entry way in the home is wide enough for the refrigerator to be moved through easily.

Please note: The following dimension and cutout information is for planning purposes only. For complete installation details consult manual packed with product, or download manual on-line at samsung.com.



Dimensions



Total Capacity: 21.6 cu. ft.

Refrigerator: 14.8 cu. ft.

- High Efficiency LED Lighting
- Wide Open Pantry
- 2 Humidity Controlled Crispers
- 5 Tempered Glass Spill Proof Shelves
- 6 Clear Door Bins
 - Right Door: 3 Gallon Bins
 - Left Door: 3 Gallon Bins

Freezer: 6.8 cu. ft.

- 1 Large Opaque Freezer Bin with Divider
- Auto Pull Out Upper Drawer Bin
- Filtered Ice Maker – Cubed
- High Efficiency LED Lighting

Accessories:

Water Filter: HAFCU1/XAA

Warranty

- One (1) Year All Parts and Labor
- Five (5) Years Sealed System Parts and Labor

Product Dimensions + Weight

Dimensions: (WxHxD)
 (Without Hinges): 29 3/4" x 65 3/8" x 33 7/8"
 (With Hinges): 29 3/4" x 66 3/4" x 33 7/8"
 (With Hinges + Door Handles): 29 3/4" x 66 3/4" x 36 1/4"
 Weight: 251.3 lbs / 114 kg

Shipping Dimensions + Weight

Dimensions: (WxHxD)
 31 7/8" x 74 3/4" x 36 1/4"
 Weight: 275.6 lbs / 125 kg

Color	Model #	UPC Code
Stainless Steel	RF220NCTASR/AA	036725590250
White	RF220NCTAWW/AA	036725590281
Black	RF220NCTABC/AA	036725590274
Stainless Platinum	RF220NCTASP/AA	036725590267

Some hinges cannot be removed, please refer to the dimensions with hinges for product install and delivery dimensions

Actual color may vary. Design, specifications, and color availability are subject to change without notice. Non-metric weights and measurements are approximate.

©2012 Samsung Electronics America, Inc. 85 Challenger Road Ridgefield Park, NJ 07660. Tel: 800-SAMSUNG www.samsung.com. Samsung is a registered trademark of Samsung Electronics Co. Ltd.