

Rosewill®



WOODEN HEATER RHWH-14001/RHWH-14002

User Manual

PLEASE SAVE THESE INSTRUCTIONS

WARNING : READ THIS USER MANUAL CAREFULLY BEFORE USING.

Thank you for choosing the Rosewill 1500W Infrared Heater. This user manual will provide you with valuable information necessary for the proper operation and maintenance of your new product. Please take a few moments to thoroughly read the instructions and familiarize yourself with all the operational aspects of your new heater to ensure you get the best results.

IMPORTANT INSTRUCTIONS

WARNING

**IMPROPER USE OF THIS HEATER COULD RESULT IN RISK OF FIRE,
ELECTRIC SHOCK, AND INJURY TO PERSONS.
ANY REPAIRS ATTEMPTED BY ANYONE OTHER THAN AN AUTHORIZED
SERVICE REPRESENTATIVE WILL VOID THE WARRANTY.**

CAUTION

**RISK OF ELECTRICAL SHOCK
DO NOT OPEN**

When using this electric unit, basic safety precautions should always be followed to reduce the risk of fire, electric shock, and injury to persons, including the following :

1. Read **ALL** instructions before using this unit.
2. This heater may get hot when in use. To avoid burns, **DO NOT** let bare skin touch hot surfaces. If provided, use handles when moving this heater.
3. Keep combustible materials, such as furniture, pillows, bedding, paper, clothes, and curtains at least 3 ft from the front of the heater and keep them away from the sides, top, and rear. **DO NOT** place towels or other objects on the heater.
4. Extreme caution is necessary when any heater is used by or near children or the disabled, or when the heater is left operating and unattended.
5. **DO NOT** operate any heater with a damaged cord or after the heater malfunctions, has been dropped or damaged in any manner. Return heater to authorized service facility for examination, electrical or mechanical adjustment, or repair.
6. This heater is not intended for use in bathrooms, laundry areas and similar indoor locations. **NEVER** locate heater where it may fall into a bathtub or other water container. To protect against electrical hazards, **DO NOT** immerse in water or other liquids.
7. **DO NOT** touch the control panel or plug with a wet hand.

8. **DO NOT** run cord under carpeting. **DO NOT** cover cord with throw rugs, runners, or similar coverings. Arrange cord away from traffic area and where it will not be tripped over.
9. **DO NOT** insert or allow foreign objects to enter any ventilation or exhaust opening as this may cause an electric shock or fire, or damage the heater.
10. To prevent a possible fire, **DO NOT** block the air intakes or exhaust in any manner. **DO NOT** use on soft surfaces, like a bed, where openings may become blocked.
11. A heater has hot and arcing or sparking parts inside. **DO NOT** use in areas where gasoline, paint, explosive and/or flammable liquids are used or stored. Keep unit away from heated surfaces and open flames.
12. Always plug heaters directly into a wall outlet/receptacle. Never use with an extension cord or relocatable power tap (outlet/power strip).
13. To avoid fire or shock hazard, plug the unit directly into a 120 V AC electrical outlet.
14. To disconnect heater, turn controls to OFF, then remove plug from outlet. Pull firmly on the plug, **DO NOT** unplug by pulling on the cord.
15. Always unplug the unit before moving or cleaning, or whenever the heater is not in use.
16. Use only for intended household use as described in this manual. Any other use not recommended by the manufacturer may cause fire, electric shock, or injury to persons. The use of attachments not recommended or sold by unauthorized dealers may cause hazards.
17. Always use on a dry, level surface. Use on floor only.
18. **DO NOT** use outdoors.
19. **WARNING** : To reduce the risk of fire or electric shock, **DO NOT** use this unit with any solid-state speed control device.
20. **DO NOT** attempt to repair or adjust any electrical or mechanical functions on this unit. Doing so will void your warranty. The inside of the unit contains no user serviceable parts. Qualified personnel should perform all servicing only.
21. Connect to properly grounded outlets only.
22. Save these instructions.

SPECIFICATIONS

Voltage Rating	120 V(60Hz)
Power Consumption	1500 W
Unit Size	13.1 in. (W)×16.5 in. (D)×17.7 in. (H)
Unit Weight	25.6 lbs

SAFETY FEATURES

Tip-Over Safety Feature

This heater is equipped with a tip-over safety feature. Once the heater is tipped over, an internal switch will automatically shut the heater off. Once the heater is restored an upright position, the heater will reset. To continue operation, turn on the heater using the supplied remote control or the control panel on the heater.

Overheat Safety Feature

This heater is equipped with a overheat safety feature. When the heaters internal components reach a certain temperature that could cause overheating and possible fire, the heater will automatically shut off.

WARNING : This heater has a voltage rating of 120 volts. The cord has a plug as shown in A. An adapter as shown in C is available for connecting three-blade grounding-type plugs to two-slot receptacles. The grounding plug extending from the adapter must be connected to a permanent ground such as a properly grounded outlet box. The adapter should not be used if a three-slot grounded receptacle is available.

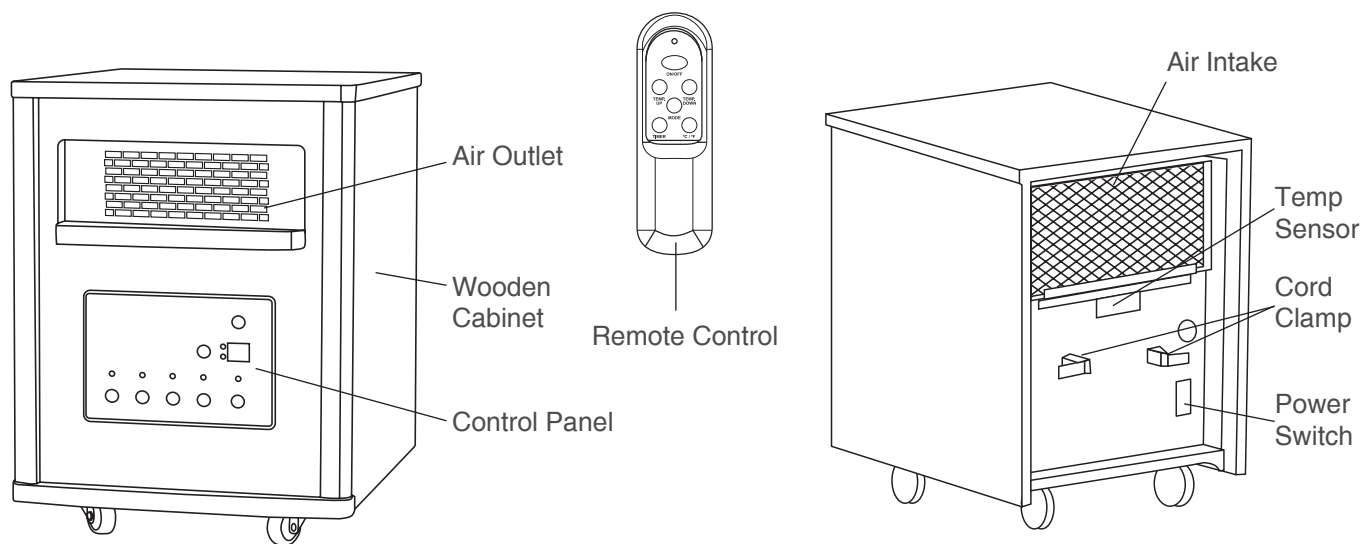
DO NOT DEFEAT THE SAFETY PURPOSE OF THE GROUNDED PLUG.

WARNING : It is normal for the power cord to feel warm to the touch; however, a loose fit between the outlet and the plug may cause overheating of the plug. If this occurs, try inserting the plug into a different outlet. Contact a qualified electrician to inspect the original outlet for damage.

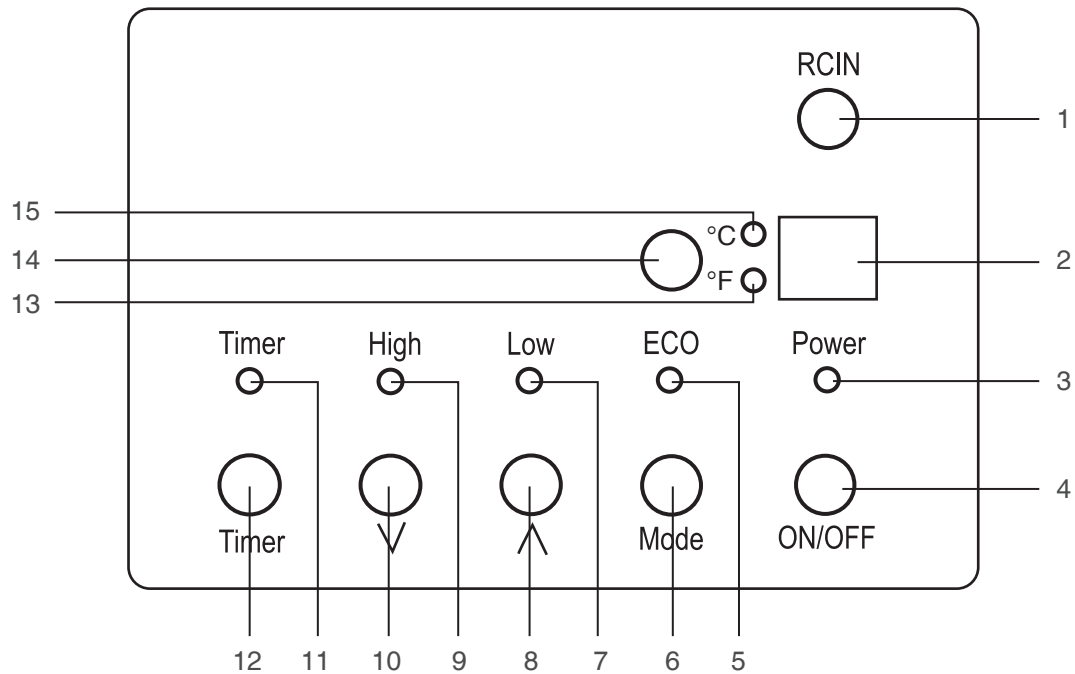
PACKAGE CONTENTS

- 1500W INFRARED HEATER
- REMOTE CONTROL(2 AAA batteries not included)
- USER MANUAL

PRODUCT DIAGRAM

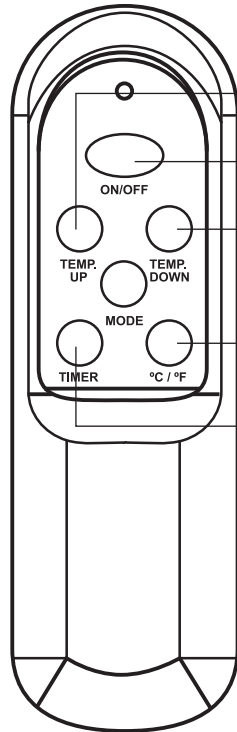


Control Panel



1. Infrared Remote Sensor
2. Digital display : Assigned temperature display or timer
3. Power indicator light : Will flash when powered "ON"
4. Power ON/OFF button
5. Energy-saving mode indicator : Will be lit when ECO or energy-saving mode is engaged.
6. Mode button : Select between High, Low, or Eco modes.
7. Low Mode indicator light : Will be lit when Low Heat mode is engaged.
8. Temp up button : Increase desired temperature.
9. High Mode indicator light : Will be lit when High Heat mode is engaged.
10. Temp down button : Decrease desired temperature.
11. Timer indication light : Will be lit when the Timer mode is engaged.
12. Timer button : Used to engage timer mode and to set hour value for the timer.
13. Fahrenheit indicator light : Will be lit when temperature displayed is in Fahrenheit.
14. °C/°F Button : Alternates between Fahrenheit and Celsius.
15. Celsius indicator light : Will be lit when temperature displayed is in Celsius.

Remote Control



- Temp up button** : Increase desired temperature
- ON/OFF button** : Used to power-on or power-off heater
- Mode button** : Switch between High, Low, or ECO modes
- °C/°F button** : Alternate between Fahrenheit and Celsius display
- Timer button** : Used for setting timer and adjust time value of timer

BEFORE FIRST USE

Place the heater on a firm, level surface and plug into a grounded 120V 60Hz power outlet. Turn on the power switch in the rear of the unit. Operate heater only in an upright position with caster wheels attached.

Insert 2 AAA batteries into the remote control before using (Batteries Not Included)

OPERATING INSTRUCTIONS

	<p>Turn the heater on by pressing the ON/OFF button on the control panel or by pressing the Power button on the supplied remote control.</p> <p>Once power is off, heating element will shut off first. The fan will continue to operate for 3 min to emit residual heat before it shuts down.</p>
	<p>Select a heating mode</p> <p>Press the MODE button on the control panel or remote to toggle between the three heat modes.</p>

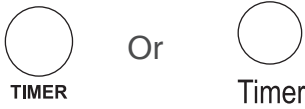
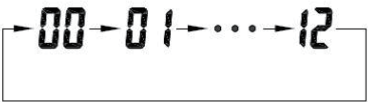

	<p>High Mode uses 1500W; Low Mode uses 1000W. ECO mode uses 500W. When in ECO mode, the heater will manage itself from less to more heating power (watts) in an attempt to maintain a constant warmth of 68°F(20°C).</p>
--	--

2. Setting Desired Temperature

	<p>Adjust the desired temperature by pressing the Temp Up/Down arrows on the control panel or remote control.</p>
	<p>Temperature options vary from 59°F to 86°F or 15°C to 30°C. Once you have chosen the desired temperature, the heater will remain on until the room temperature increases to the temperature on the digital display. Once the set temperature is reached, the heater will cycle on and off to maintain the desired room temperature.</p>
	<p>Press °C/°F button changes the temperature display between Fahrenheit and Celsius.</p>
	<p>The Fahrenheit indicator LED will light up when the temperature is displayed in Fahrenheit. The Celsius LED will light up when the temperature is displayed in Celsius.</p>

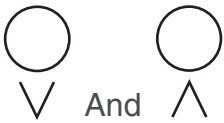

3. Using the Timer function

Note : The Timer function will allow for the heater to power OFF after a certain set time and can only be set while the heater's display is in the "On" position.

	<p>Turn the heater on by pressing the ON/OFF button on the control panel or by pressing the Power button on the supplied remote control.</p> <p>Once power is off, heating element will shut off first. The fan will continue to operate for 3 min to emit residual heat before it shuts down</p>
	<p>The digital display will change from “temperature” to “hours” option for the timer function. Continue to press the timer button to change the number of hours you would like the heater to run before powering itself off. The hour options for the timer are from 0 to 12 hrs. (in 1 hr increments).</p>
	<p>The selected hour increments will flash for a few seconds and then revert back to the set desired temperature. The Timer indicator light will remain lit as long as the Timer is set. The heater will power OFF when the internal heater clock counts down the hour increments you set. (HOW CAN A USER CANCEL THE TIMER AFTER IT HAS BEEN SET? HOW CAN THE USER ADJUST THE TIMER AFTER IT HAS BEEN SET? HOW CAN THE USER CHECK HOW MANY HOURS ARE LEFT BEFORE IT POWERS OFF?)</p>

3. Setting Electro Lock

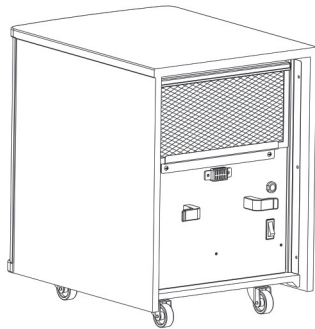
The Electro Lock can help avoid the heater from being accidentally engaged by children. The locking mechanism can be set in both the ON and OFF modes to prevent changing of settings when on or to prevent powering on when off. (please verify if this is correct)

	<p>Press the Temp Up and Temp Down buttons at the same time and hold for 3 seconds. Locking is complete when you hear a beep. When locked, the functions of the control panel and remote will be locked for use.</p>
	<p>When you need to unlock it, press the Temp Up and Temp Down buttons at the same time and hold for 3 seconds. You will hear a beep. The control panel and remote control will become functional again.</p>

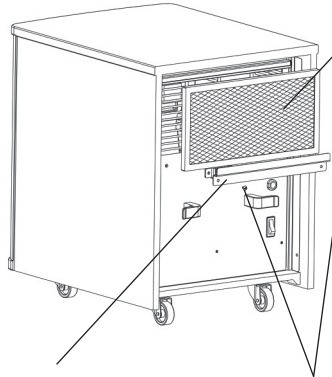
MAINTENANCE

1. Turn off the power switch in the rear of the unit.
2. Unplug the unit and let it cool completely for 30 minutes.
3. To keep the heater clean, the outer shell may be cleaned with a soft, damp cloth. You may use a mild detergent if necessary. After cleaning, dry the unit with a soft cloth. CAUTION : **DO NOT** let liquid enter the heater.
4. **DO NOT** use alcohol, gasoline, abrasive powders, furniture polish, or rough brushes to clean the heater. This may cause damage or deterioration to the surface of the heater.
5. **DO NOT** immerse the heater in water.
6. Wait until the unit is completely dry before use.
7. Air filter needs cleaning after 3 months of use. Please remove the filter following the illustration below. Flush and clean the filter with water and then dry before reattaching.

The Unit(rare)



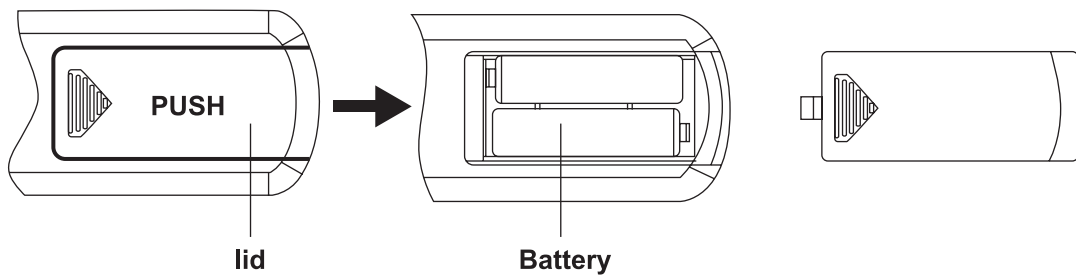
3) Remove Air filter



2) Remove filter bracket

1) Remove bracket screws (2X)

8. If you do not use the heater for long periods, please remove the remote batteries (to prevent corrosion) as shown below. Store the remote in a safe place.



STORAGE

Store the heater in a cool, dry location when not in use. To prevent dust and dirt build-up, use the original packaging to repack the unit.

BASIC TROUBLESHOOTING

If the heater will not operate, please check the following before seeking repair advice:

1. Check if the power cord is plugged into an electrical outlet, if not, plug in.
2. Check if electricity to the main power switch (in the back) is working.
3. Check to see if the battery on the remote is installed correctly.

NOTE : For the heater to function properly, the desired temperature on the heater must be set a few degrees higher than the temperature in the room. If it seems to not be heating, increase the desired temperature on the heater to engage the heat elements.

FREQUENTLY ASKED QUESTIONS

Please review these frequently asked questions on the next few pages prior to using your heater.

Q. My heater emits a strange odor when I first open the box and when I turn the heater on for the first time. Why is this happening?

A. This is normal. This heater is treated with a special heat safe/resistant coating. This odor will sometimes be present when the box is opened. When the coating is exposed to heat, it produces this particular odor during the first few hours of operation. This will dissipate after the break-in period. If you are sensitive to odors, you may want to pre-burn the unit in a garage with the door open until the initial odor dissipates.

Q. If my heater runs on approximately 1,500 watts, how many BTUs is that? Is that a lot of heat?

A. At 1,500 watts, your heater will produce approximately 5,100 BTUs. This heater is intended to be used as supplemental heat in areas most needed. It may take several minutes to several hours to heat your area, depending on various factors.

Q. Can the heating elements be replaced?

A. Replacement heating elements can be obtained from the manufacturer. All parts may be purchased through the manufacturer if your product is out of warranty. If you feel that the elements are definitely faulty right out of the box, contact technical support. A representative can then direct you to the next step.

Q. Once I plug the unit in and turn it on, how long will it take to heat my room?

A. The heating process in the heater begins immediately upon powering on and setting the desired temperature above the ambient temperature. A noticeable change in the ambient temperature of the room will vary due to variables such as the location of the heater (in the home), floor plan and size of the room, how well the room is insulated, how many doors/windows, how much bare concrete (acts as a heat sink with any type of heating), the opening and closing of an exterior door, long hallways, high ceilings, etc. Customers with smaller rooms experience quick heat changes. Rooms with larger and open floor plans can expect up to 24 hours to completely heat up.

Q. I do not have a grounded outlet. Can I use a 2-prong power strip, or remove the ground prong from the cord?

A. NO! If you do not have a grounded outlet, contact a certified electrician for advice. Removing or altering any part of the heater's original design or intent (including the power cord) will void the warranty and make you liable for any unexpected or hazardous results.

Q. How does the ECO setting work?

A. The ECO mode on your heater is a program that attempts to keep the temperature strictly at a "warm" 68° F. This also helps with efficiency, as it is programmed to 1) Increase the wattage used to 1500W if the temperature drops below 64.4°F 2) Gradually reduce the wattage used as it approaches 66.2° F and 3) Stop heating when 68° F is achieved. This is considered an Economical function, since in the ECO setting, the heater is almost never running at the maximum watts.

- Q. The temperature on my heater does not match the temperature display on my wall, or external thermostat. Why?**
- A. This is completely normal. The temperature display on your heater may vary from the temperature display on another thermostat (like the one mounted to your wall or a purchased external thermostat). This is because the temperature sensor on the heater reads the temperature directly around the heater. With the heater near the cold floor (and heat rising), any readings on elevated or external thermostats will differ in readings on the heater. The best way to operate your heater is to set the unit on High and dial up to a temperature that feels comfortable to you. Then, leave it at that temperature, regardless of the mismatch. The heater will cycle off when the set temperature is met or exceeded slightly.
- Q. Can I use more than one heater at a time? Can I use the heater and another appliance at the same time?**
- A. Yes, but make sure they are not plugged into the same circuit. Each heater requires its own minimum 15-amp circuit with no other items plugged into that circuit or outlet. This is because heaters are considered appliances and draw out high amperage. If you are unsure whether your circuit meets these requirements, verify with a certified electrician. **WARNING:** Risk of fire, damage to property, or injury may result if requirements are not met.
- Q. Why does my heater's fan continue to run after the set temperature is reached or the power is turned off?**
- A. This is normal. The heater's fan will continue to run even after the heater automatically cycles down. The fan continues to run so that every last bit of heat is blown out of the heat chamber while allowing the unit to continue filtering your air. Once the internal box/components cool completely, the fan should then shut off on its own. In this case, allow a few minutes after the heat cycles off (with power on). The fan will shut off faster when the power is turned off.
- Q. My heater's display shows my ambient temperature to be in the 20s when I know it is warmer than that. Why?**
- A. The heater's display is defaulted to read the temperature as Fahrenheit. If your heater is definitely heating but shows it is in the 20s you probably have the setting to read your temperature in Celsius rather than Fahrenheit.
- Q. My heater's power cord gets warm. My cord is showing signs of heat or melting at the outlet. Is this normal?**
- A. A warm power cord is normal. These power cords are rated safe for up to 105°C/ 221°F by the UL, CSA, or ETL. The exception is, if you detect heat, smoke, or signs of melting at the contact point of the wall outlet, it may be due to loose or worn wall contacts (or arcing). Please stop using the heater immediately, contact warranty support for a replacement power cord, and have a certified electrician replace the wall outlet as soon as possible.

For Warranty or technical support, please contact Rosewill Customer Service.

1-800-575-9885 Mon-Fri 8am-5pm PST

techsupport@rosewill.com