

Rosewill[®]

CHALLENGER

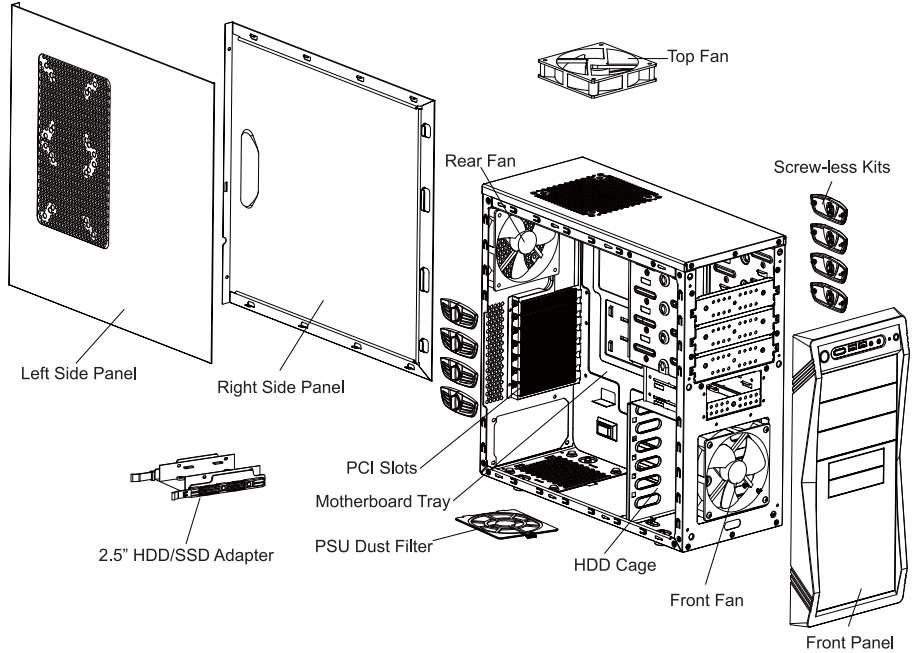
USB 3.0 version

User's Manual

Contents

■ Product Overview	P.2
Disassemble Chart	P.2
■ Installation Guide	
Opening Chassis	P.3
Installing Power Supply	P.3
Installing Motherboard	P.4
Installing Add On Card	P.5
Installing External 5.25" Device	P.6
Installing External 3.5" Device	P.7
Installing 3.5" HDD	P.7
Installing 2.5" HDD/SSD	P.8
Cleaning PSU Dust Filter	P.8
■ Information	P.9

Disassemble Chart



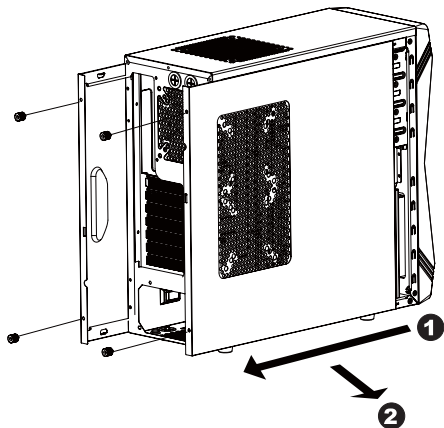
Front I/O Pin Define

<p>e-SATA CONNECTOR</p>	<p>AC97 CONNECTOR</p> <p>MIC-1 MIC AUD_GND-2 MIC-BIAA RET-R-3 FPOUT-R NO PIN-4 +5V RET-L-5 FPOUT-L</p> <p>Pin</p>
<p>USB 3.0 CONNECTOR</p> <p>VBUS-1 None SSRX1+ 2 VBUS SSRX1- 3 SSRX2+ ground 4 SSRX2- SSTX1+ 5 ground SSTX1- 6 SSTX2+ D- 7 SSTX2- D+ 8 ground None 9 D2+ None 10 D2-</p>	<p>HD CONNECTOR</p> <p>AUD_GND-1 PORT1L PRESENCE# 2 PORT1R SENSE1_RETURN 3 PORT2R NO PIN-4 SENSE_SEND SENSE2_RETURN 5 PORT2L</p> <p>Pin</p>

PIC	ITEM	PURPOSE	PIC	ITEM	PURPOSE
	STANDOFFS x11	Motherboard		HDD Rail x4 Sets	HDD
	SCREWS x15	Motherboard Power Supply		Buzzer x1 (PC Speaker)	Motherboard
	SCREWS x18	2.5" HDD/SSD, ODD, Floppy			

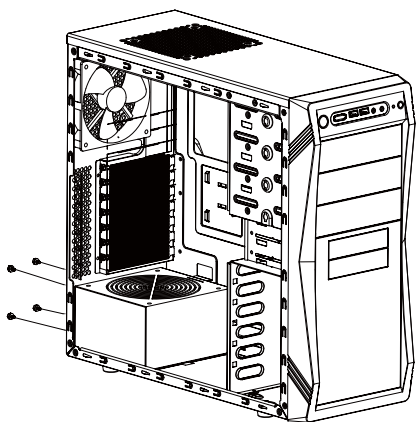
Installation Guide

1.



Unscrew to remove left and right panel.

2.



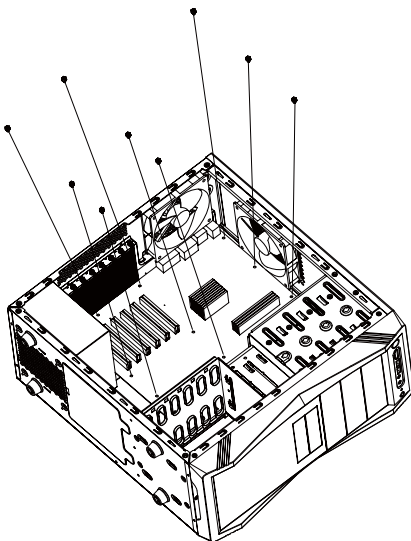
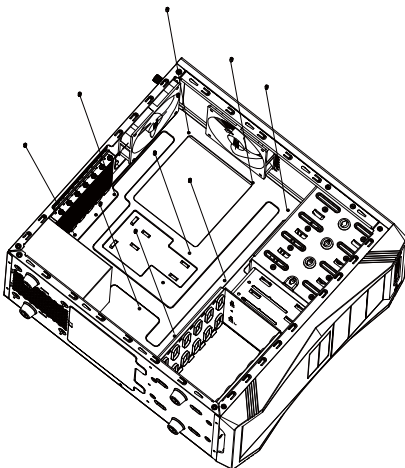
Place the power supply from the left side into the chassis and secure with screws.

NOTICE : If your power supply is equipped with single fan (120mm, 135mm or 140mm), you have two options to install it.

1. The fan faces UP – No special needs for attention.
2. The fan faces DOWN – You have to put this computer case on a HARD surface (ex. desk) to make sure enough room for power supply cool air intake and please remember to clean PSU dust filter regularly. (Refer to P.8)

Installation Guide

3.

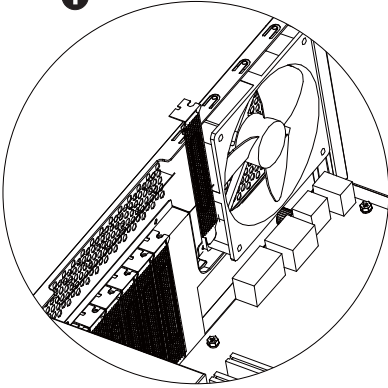


- Install motherboard stand-offs according to your motherboard's screw holes.
- Place the motherboard onto stand-offs and secure with screws.

Installation Guide

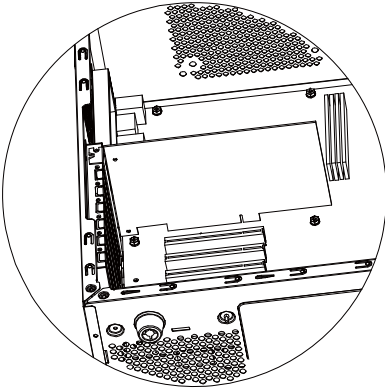
4.

1



- Confirm which slot you want to install an add-on card then unscrew to remove the mesh cover.
- Install the add-on card and secure with screws.

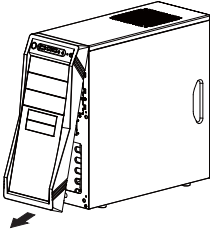
2



Installation Guide

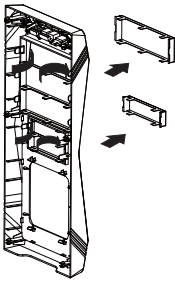
5.

1

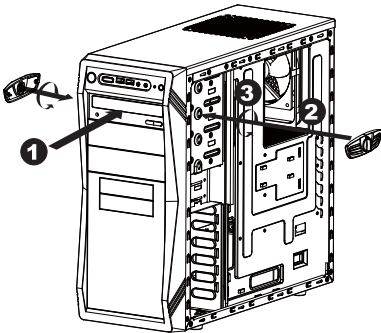


- Pull to remove the front panel.
- Confirm which bay you want to install device(s) then remove the bay cover.
- Reinstall the front panel.

2



6.



- Insert the 5.25" device from the front panel into the chassis then secure with screw-less kits.



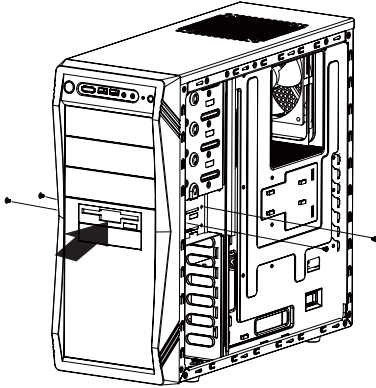
Loosen



Fasten

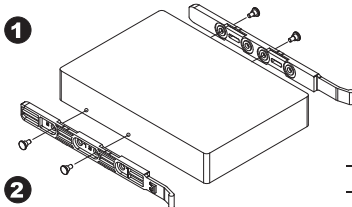
Installation Guide

7.



-Insert the external 3.5" device from the front panel into the chassis then secure with screws.

8.

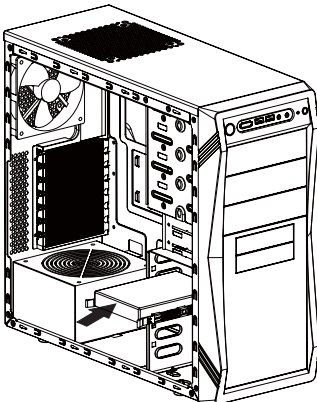


-Attach rails onto the 3.5" HDD
 -Insert it into its slot and push to the bottom to secure.

NOTE :
 Change HDD's direction by changing nails' position.

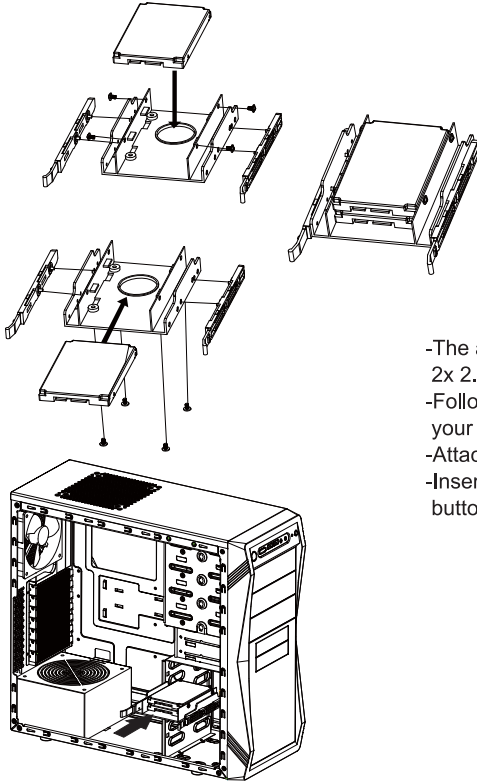


L : HDD's connectors face to left side panel
 R : HDD's connectors face to right side panel



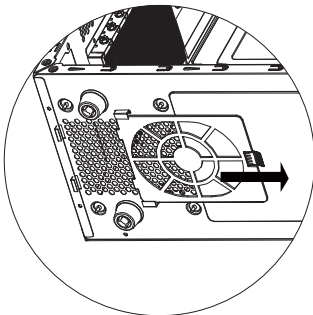
Installation Guide

9.



- The adapter can make 1x 3,5" HDD slot to load 2x 2,5" HDD/SSD.
- Follow left instruction to use screws to secure your 2,5" HDD/SSD(s) onto this adapter.
- Attach rails onto the adapter.
- Insert it into 3,5" HDD's slot and push to the bottom to secure.

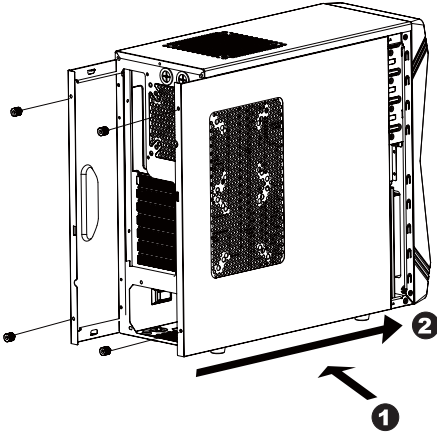
10.



Clean the dust filter regularly to make sure PSU can pull in enough cool air from bottom.

Installation Guide

11.



Make sure all necessary cables and wires are connected, then reinstall side panels and secure with screws.

Thank you for purchasing a High-Quality Rosewill Product.

Please register your product at : <http://www.rosewill.com> for complete warranty information and future support for your product.

If you have any question while using our products, please visit our website : www.rosewill.com for latest driver & user manual or feel free to contact us.

Support Phone Number: 800-575-9885

Support Email: techsupport@rosewill.com

Rosewill[®]

www.rosewill.com