

Rosewill[®]

ARMOR

EVOLUTION

User's Manual

Contents

■ Product Overview

Disassemble Chart	P.2
Accessory Box	P.3

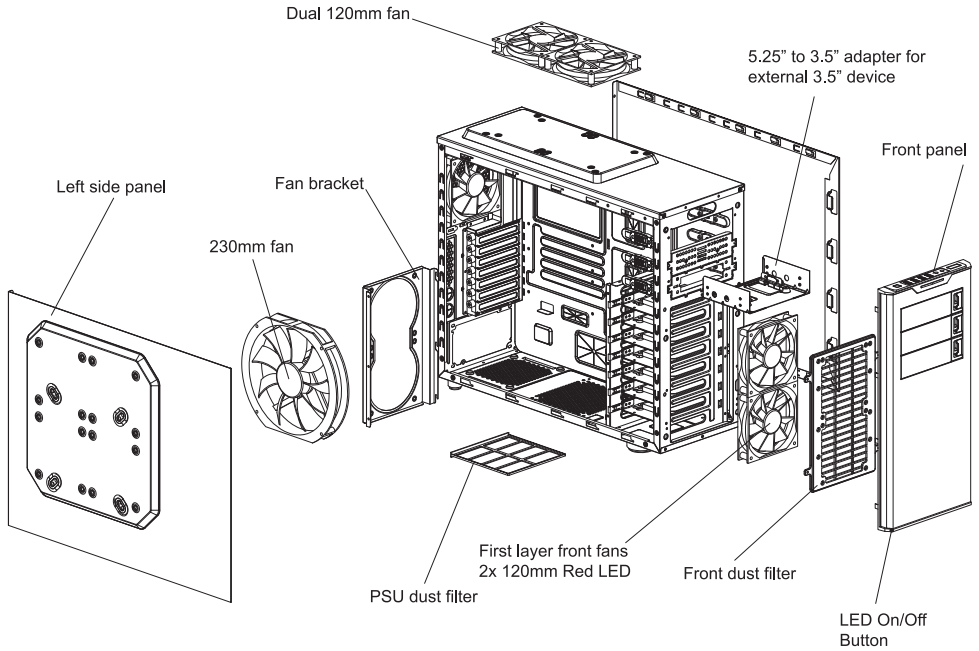
■ Installation Guide

Opening Chassis	P.4
Installing Power Supply	P.4
Installing Motherboard	P.5
Installing Cooling Fans/Liquid Cooler	P.6
Installing Add On Card	P.8
Installing External 5.25" Device	P.9
Installing External 3.5" Device	P.9
Installing 3.5"/2.5" HDD/SSD	P.10

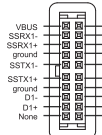
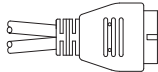
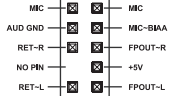
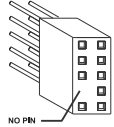
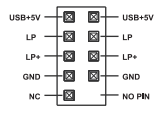
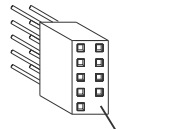
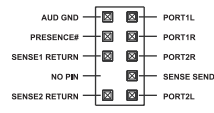
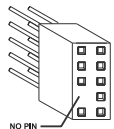
■ Information

P.11

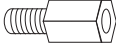
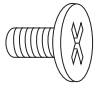
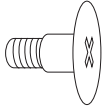
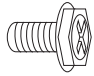
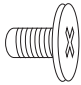
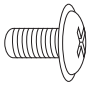
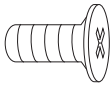
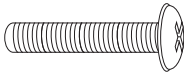

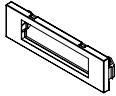

Disassemble Chart (For reference only. Models' option may be varied by countries.)



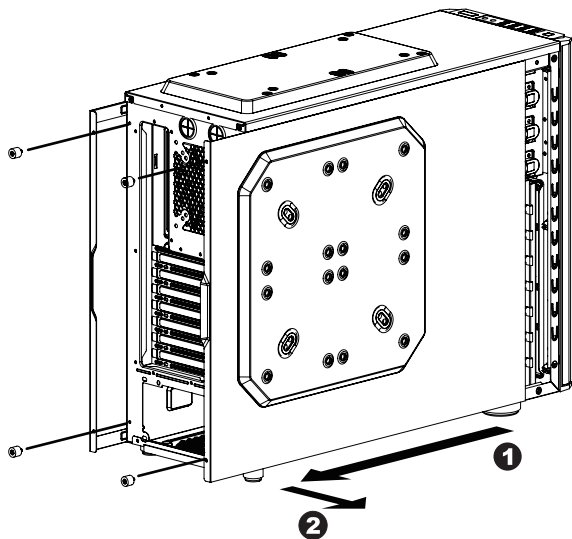
Front I/O Pin Define (Please refer to your motherboard's user's manual to connect.)

USB 3.0 CONNECTOR	AC97 CONNECTOR
 <p> VBUS SSRX1- SSRX1+ ground SSTX1- SSTX1+ ground D1+ D1- None None VBUS SSRX2- SSRX2+ ground SSTX2- SSTX2+ ground D2+ D2- </p> 	 <p> MIC AUD GND RET-R NO PIN RET-L MIC MIC-BIAS FPOUT-R +5V FPOUT-L </p>  <p>NO PIN</p>
USB2.0 CONNECTOR	HD CONNECTOR
 <p> USB+5V LP LP+ GND NC USB+5V LP LP+ GND NO PIN </p>  <p>NO PIN</p>	 <p> AUD GND PRESENCE# SENSE1 RETURN NO PIN SENSE2 RETURN PORT1L PORT1R PORT2R SENSE SEND PORT2L </p>  <p>NO PIN</p>

Accessory Box

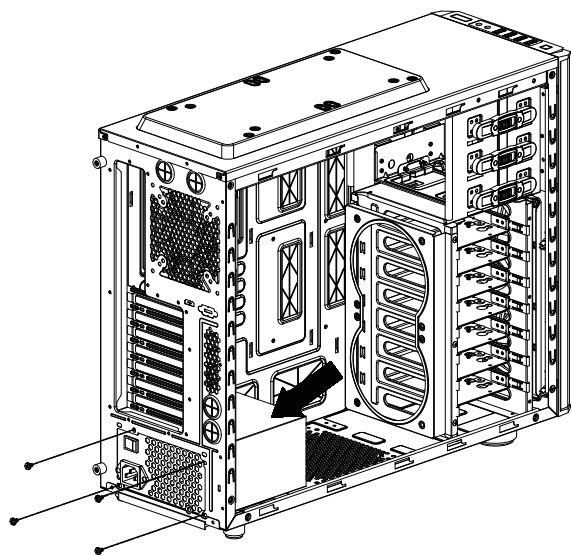
	14 x M/B standoff	Motherboard
	14 x screw-A	Motherboard
	28 x screw-B	3.5" HDD
	4 x screw-C	Power Supply
	28 x screw-D	2.5" HDD
	4 x screw-E	3.5" devices
	8 x screw-F	Fans
	8 x screw-G	Second layer front fan
	1 x PC SPEAKER	Motherboard
	1 x 5.25" to 3.5" bay cover	Front panel
	8 x Cable tie	Cables

1.



Unscrew to remove left and right panels.

2.

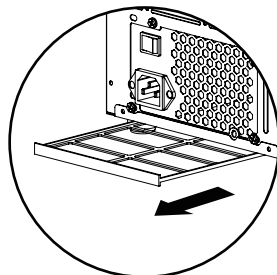


Place the power supply from the left side into the chassis and secure with screws.

NOTICE :

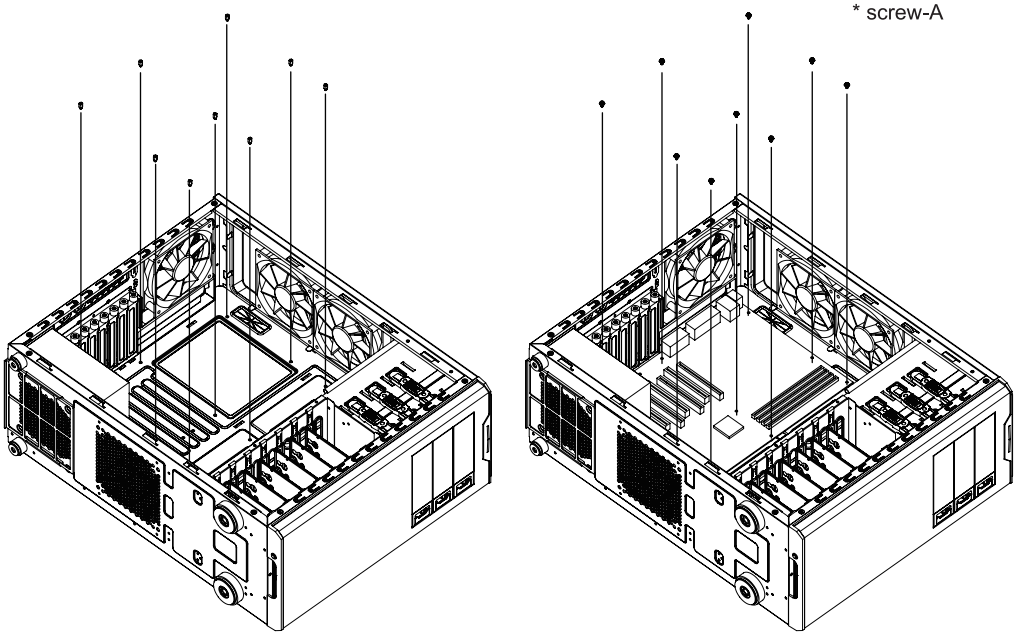
-If your power supply is equipped with single fan (120mm, 135mm or 140mm), please have the fan face to the bottom.

-Please remember to clean the PSU dust filter regularly.



* screw-C

3.



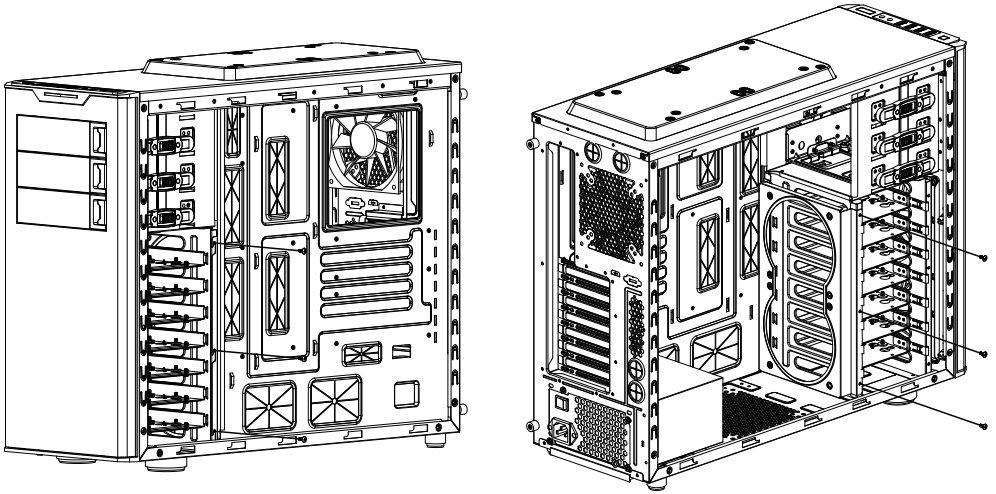
- Install motherboard stand-offs according to your motherboard's form factor.
- Place the motherboard onto stand-offs and secure with screws.

Form Factor	Hole NO.
E-ATX	1,2,3,4,6,7,8,9,13 14,15,16
ATX	1,2,3,6,7,8,13,14 15
M-ATX	1,2,3,6,7,8,10,11 12

NOTE :

1. E-ATX=Extended ATX ; M-ATX=Micro ATX
2. NOT every motherboard is made by standard, please set stand-offs according to your motherboard.

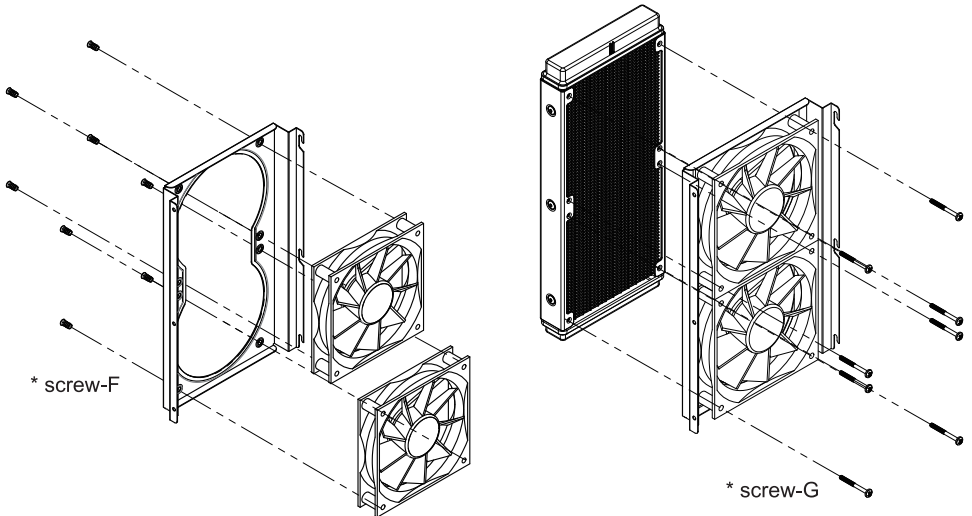
4.



Unscrew the 6 screws to remove the fan bracket.

5. Optional installation of liquid cooler/second layer fan bracket

*Liquid cooler and second layer fans not included

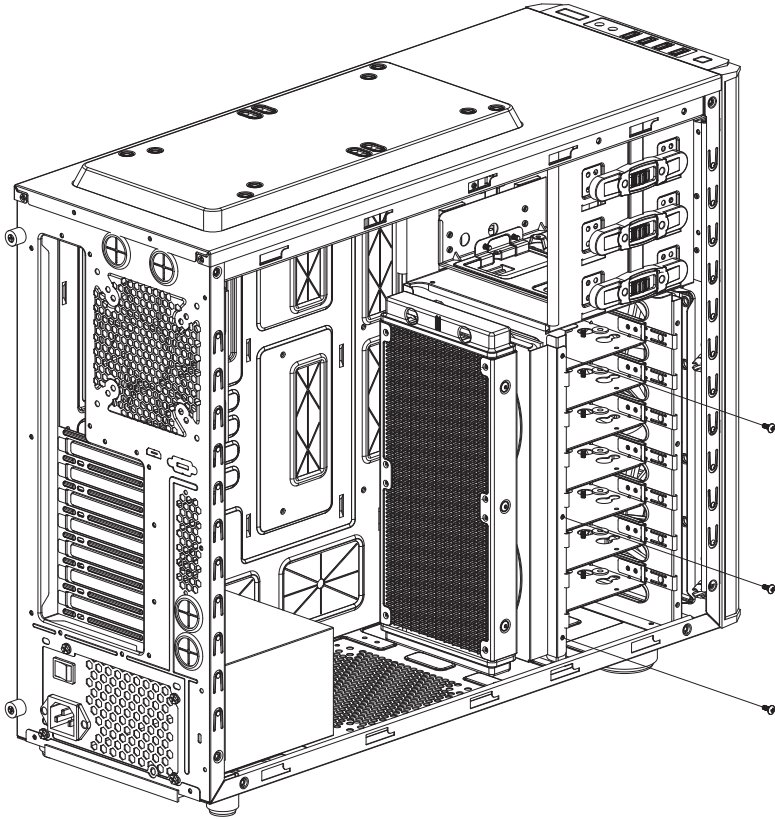


If only cooling fans are applied, please secure fans with screws.

If liquid cooler is applied, please install the fans inside of the fan bracket and liquid cooler outside of the bracket.

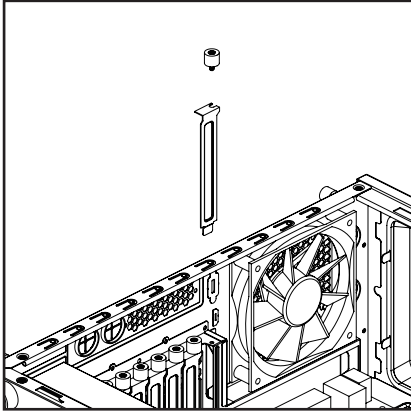
6. Optional installation of liquid cooler/second layer fan bracket

*Liquid cooler and second layer fans not included

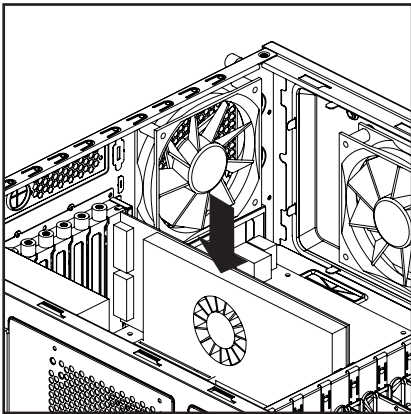


Put back liquid cooler/2nd layer fan bracket and secure with screws

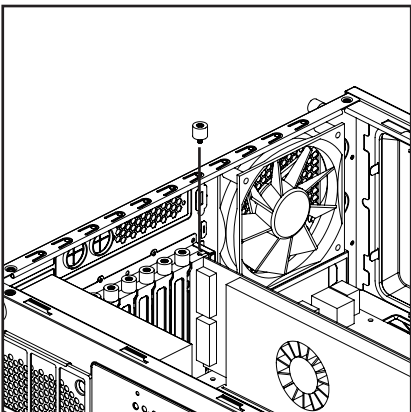
7.



Unscrew the thumb-screw to remove the expansion slot cover.

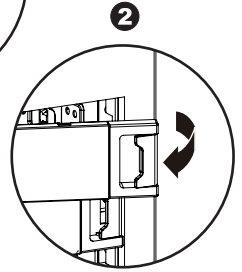
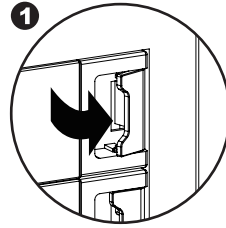
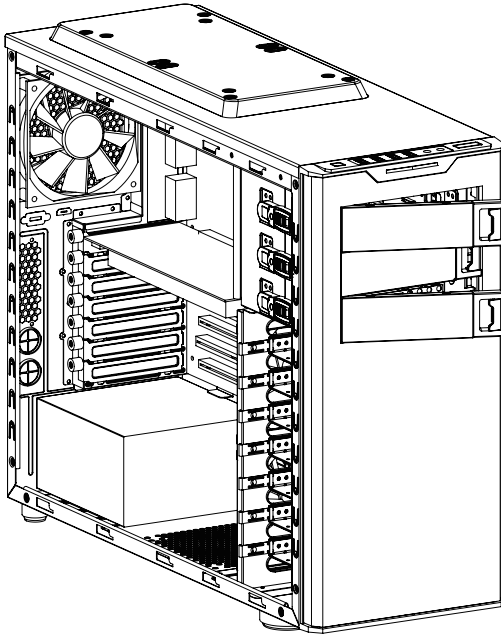


Install the add-on card.



Screw to secure the add-on card.

8.

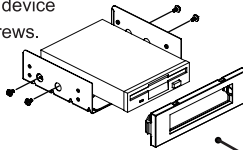


-Confirm which bay(s) you want to install device(s) then follow above steps to remove the bay cover.

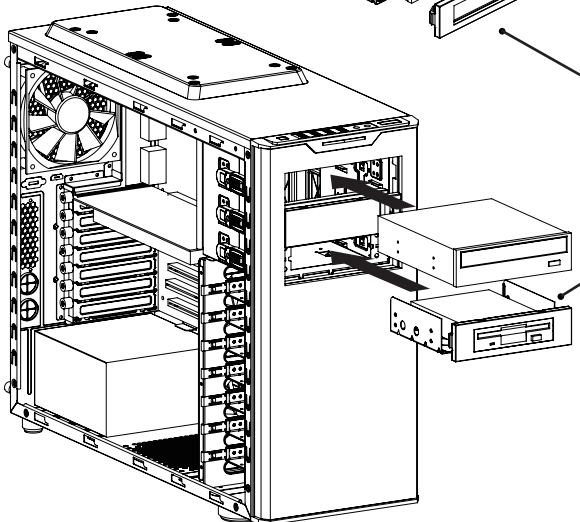
9.

Secure external 3.5" device onto adapter with screws.

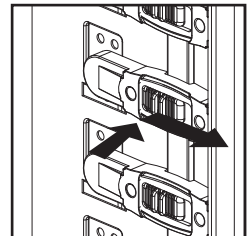
* screw-E



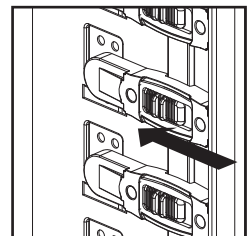
Insert the external 5.25" & 3.5" device from the front panel into the chassis then secure with screw-less kits.



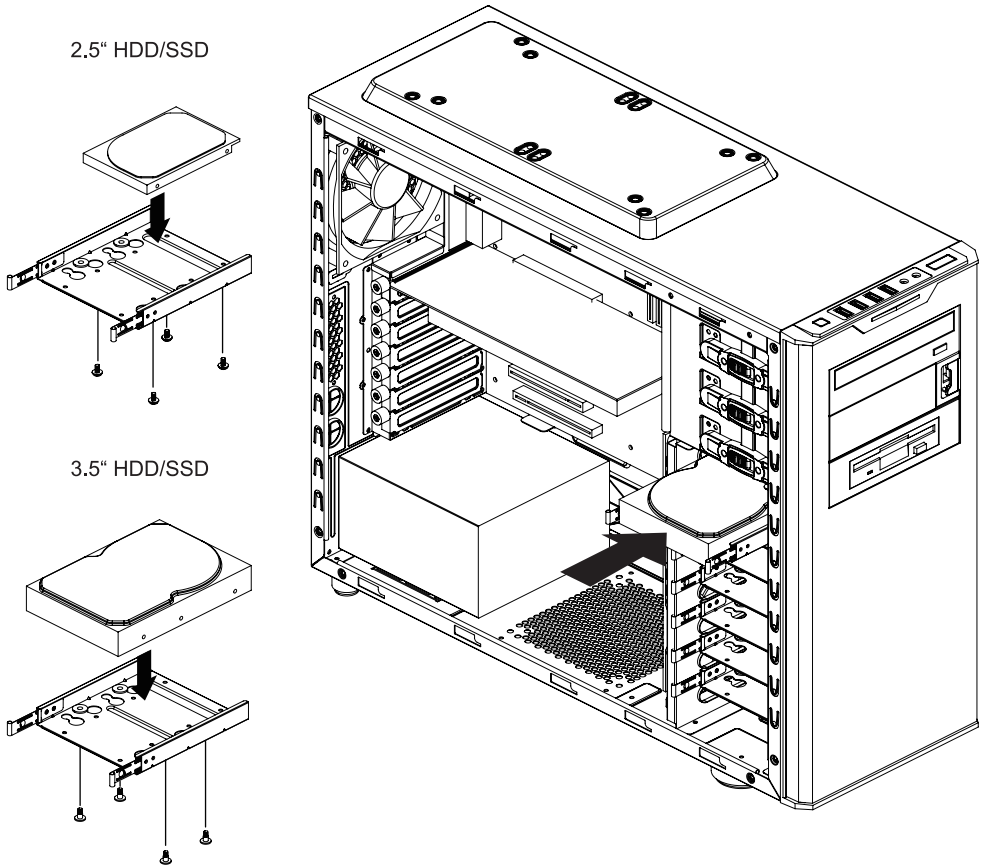
LOCK



UNLOCK



10.

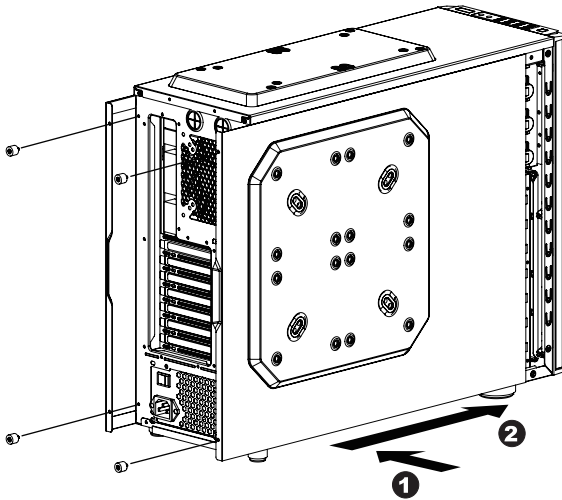


2.5" HDD/SSD

3.5" HDD/SSD

- Put the 3.5"/2.5" HDD/SSD onto the HDD tray then secure with screws.
- Slide it into its slot and push to bottom to secure it.

11.



Make sure all necessary cables and wires are connected, then reinstall side panels and secure with screws.

Thank you for purchasing a High-Quality Rosewill Product.

Please register your product at : <http://www.rosewill.com>
for complete warranty information and future support for your product.

If you have any question while using our products, please visit our website : www.rosewill.com
for latest driver & user manual or feel free to contact us.

Support Phone Number: 800-575-9885

Support Email: techsupport@rosewill.com

Rosewill[®]

www.rosewill.com