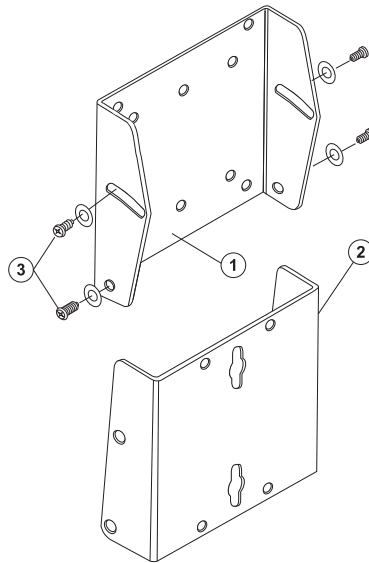




**Tilt Monitor Mounting Kit**  
RHMS-11004

User Manual



ID	Description	Qty
1	Monitor Plate	1
2	Wall Plate	1
3	Safety Screw: M6 x 12 Washer: M6	4
4	Wood Screw: 2"	2
5	Concrete Anchor	2
6	Screw: M4 x 12	4
7	Screw: M4 x 30	4
8	Screw: M5 x 12	4
9	Screw: M5 x 30	4
10	Spacer: 3 / 4"	4
11	Bubble Level System	1



**Step 1**

Determine the desired location for the monitor.

**Important:** Make sure there is adequate mounting space available for the monitor, considering the monitor dimensions.

The mount is supplied with the necessary hardware for either **Wooden Stud Mounting** (4) or **Masonry Mounting** (4&5). Determine your mounting type and proceed accordingly.

**Wooden Stud Mounting:** Using an electronic stud finder, locate the center of the wooden stud.

Position the **Wall Plate** (2) in desired mounting location over stud.

Level the **Wall Plate** with a bubble level (11), and then using the wall bracket as a template, mark mounting hole locations over the center of the stud.

Drill 2 mounting holes into the stud using a 5/32 drill bit.

**Masonry Mounting:** Position the **Wall Plate** (2) in desired mounting location on wall.

Level the **Wall Plate** with a bubble level (11), and then using the wall bracket as a template, mark mounting hole locations on wall.

Drill 2 mounting holes using a 5/16 masonry bit. Insert **Wall Anchors** (5) into the mounting holes, and lightly tap them flush to wall with a hammer.

Caution: Wall Anchors should only be used for masonry mounting. **Never** use wall anchors to install the mount onto drywall.

**Step 2**

Mount **Wall Plate** with supplied **Wood Screws** (4), and check fit (Fig.1). Leave **Wall Screws** protruding slightly so that **Wall Plate** can slide over screw heads for installation/removal of monitor.

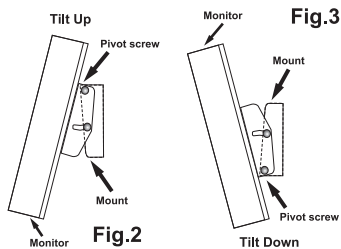
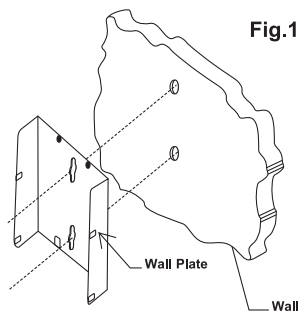
Remove **Wall Plate** from wall, and set aside for Step 4.

**Step 3**

The mount can be installed to allow the monitor to **Tilt Up** or **Tilt Down**.

To have monitor **Tilt Up**, the **Monitor Plate** should be attached to the **Pivot Screw** at the top, as shown in Fig.2.

To have monitor **Tilt Down**, the **Monitor Plate** should be attached to the **Pivot Screw** at the bottom, as shown in Fig.3.



Attach **Monitor Plate** to back of the monitor with 4 mm or 5 mm supplied hardware. (6-10) (Fig.4) Check the monitor's owners manual for correct length screw to use.

**Caution:** Never force screws into the monitor, as damage may occur.

**Step 4**

Install the **Wall Plate** onto the **Monitor Plate** using the supplied **M6 x 12 Screws** and **Washers** (3).

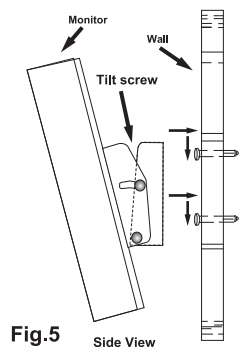
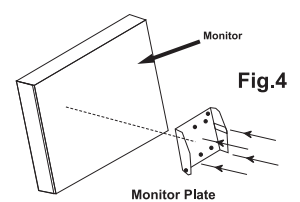
Carefully hang the monitor by sliding the keyhole slots on the **Wall Plate** over the protruding screws, as indicated by arrows in Fig.5.

Tighten the screws holding the **Wall Plate**.

**Note:** Tilting the monitor away from the wall improves access to the wall mounting screws.

**Step 5**

Adjust tension of the **Tilt Screw** (Fig.5). Tighten the screw at your desired angle to lock the tilt mechanism.



We appreciate you purchasing a quality Rosewill product. If you have any questions or need assistance, please contact our Customer Service Department: 1-800-575-9885 or techsupport@rosewill.com.