

Rosewill

BLACKBONE

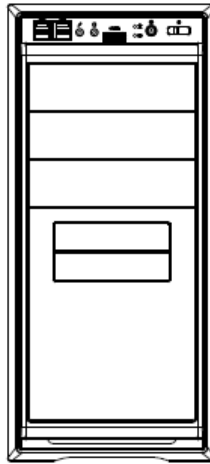
User Manual

Contents

1. Product Overview	02
A. Specifications	02
B. Part List	03
C. Accessory Carrying Box	03
2. Installation Guide	04
A. How to remove the Side Panel	04
B. How to install the Power Supply	04
C. How to install the Motherboard	04
D. How to install the 5.25" and 3.5" Devices	05
E. How to install/replace the Case Fans	06
F. Cable Management	07
3. Front Connector Installation Guide	07

BLACKBONE

1. Product Overview



A. Specification:

- Case Type.: Tower
- Material: - Chassis: Metal

- Bezel: Metal mesh + ABS

- Motherboard: 12" X 9.6" (ATX), 9.6" X 9.6" (Micro ATX)
- Drive Bay: - External: 5.25" x 3

- External: 3.5" x 2

- Internal: 3.5" x 5

Cooling System: - Front: 1 x 120mm intake fan (with Blue LED), 800rpm, 20dBA max

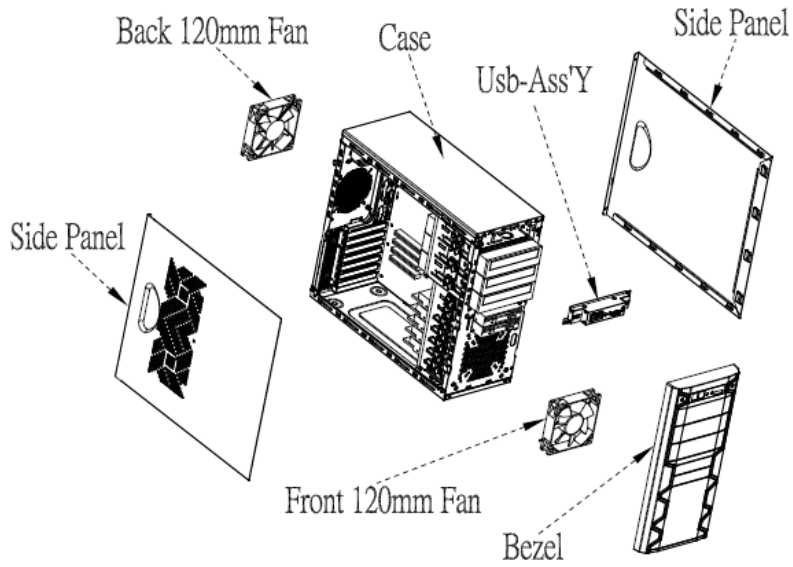
- Rear: 1 x 120mm exhaust fan , 800rpm, 20dBA max

- Side venting hole with air duct






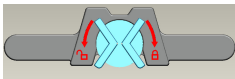
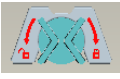



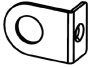
- Expansion Slot: 7
- Front I/O Port: - USB2.0 x 4
 - eSATA x 1
 - HD Audio x 1
- Power Supply: Standard PS2 (ATX) or EPS
- Dimensions: - Without Bezel : 185 mm (W) x 408 mm (H) x 445 mm (D)

- With Bezel : 185 mm (W) x 408 mm (H) x 475 mm (D)

B. Part List:



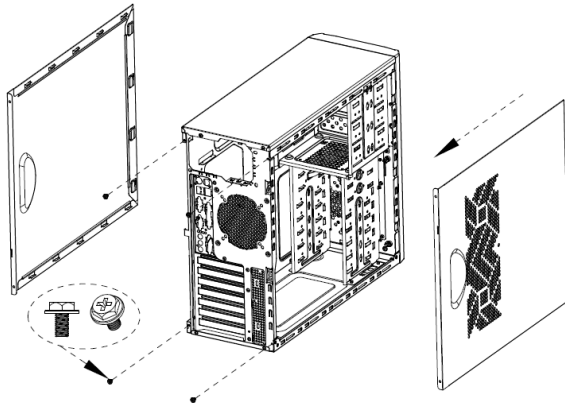
C. Accessory Carrying Box:

Figures	Parts Name	Q'ty	Used for
	COPPER STAND OFF	9	M/B Tray
	BINDING SCREWS	18	FOR M/B*9 FOR LOCK BOARD*1 FOR 3.5"HDD*8
	PAN WASHER SCREWS	8	FOR ODD
	HEXAGON SCREWS	4	FOR POWER SUPPLY *4
	CABLE TIE	3	CABLE MANAGEMENT
	TOO-LESS LOCK	2	FOR ODD
	TOO-LESS LOCK	1	FOR F DD
	TOO-LESS LOCK	1	FOR HDD
	PLASTIC BUCKLES	1	CABLE MANAGEMENT
	PLASTIC BUCKLES	1	CABLE MANAGEMENT
	LOCK BOARD	1	FOR LOCK

2. Installation Guide:

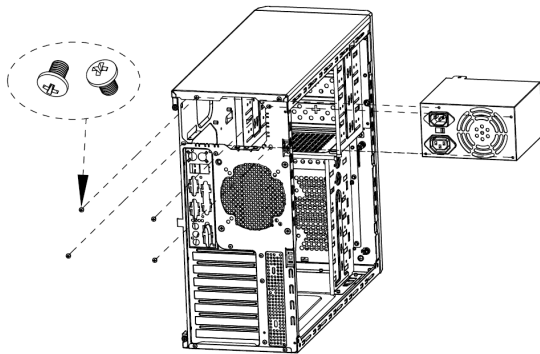
A. How to remove the Side Panel

- Loosen the 4 thumb-screws as pictured.
- Pull the side panel outward as pictured to take it apart



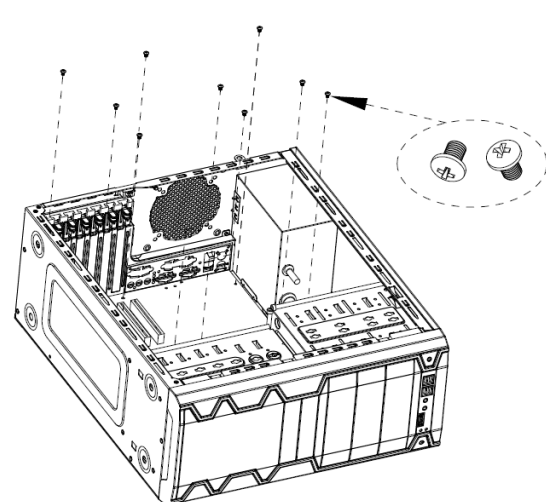
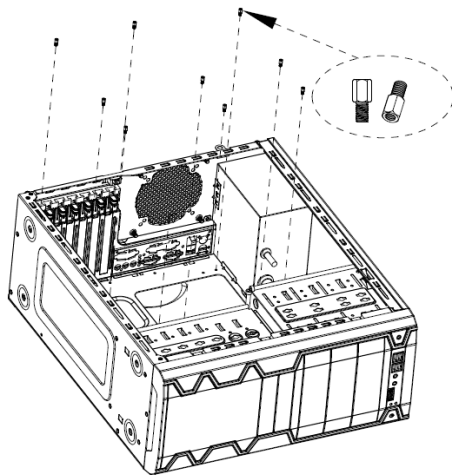
B. How to install the Power Supply

- Lay the power supply up toward the rear as pictured.
- Fasten 4 screws to secure the power supply.



C. How to install the Motherboard

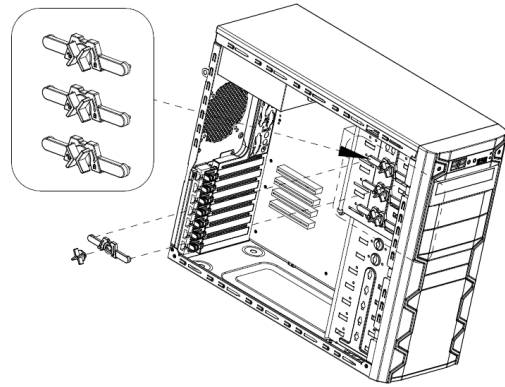
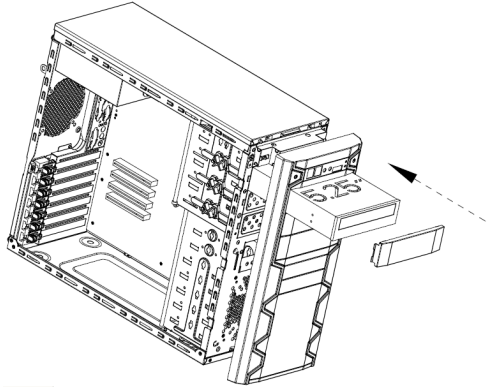
- Align and screw the standoffs into the motherboard tray.
- Place the motherboard on the standoffs and secure with screws.



D. How to install the 5.25" and 3.5" Devices

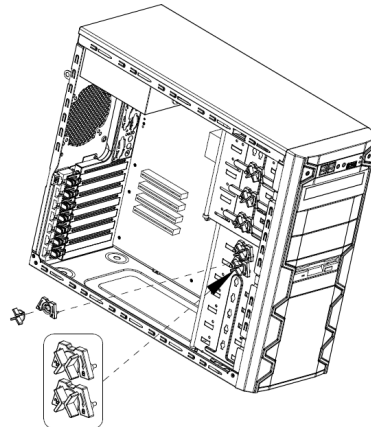
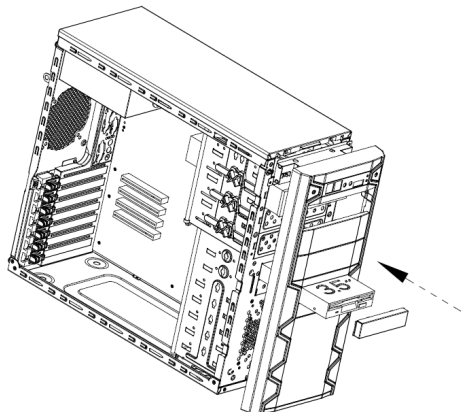
1. Installation of 5.25" Optical Drives

- Take off the front bezel, remove the drive bay slot panel and then put the front bezel back to the chassis
- Insert the 5.25" devices through the front and secure them with tool-free locks by clockwise direction



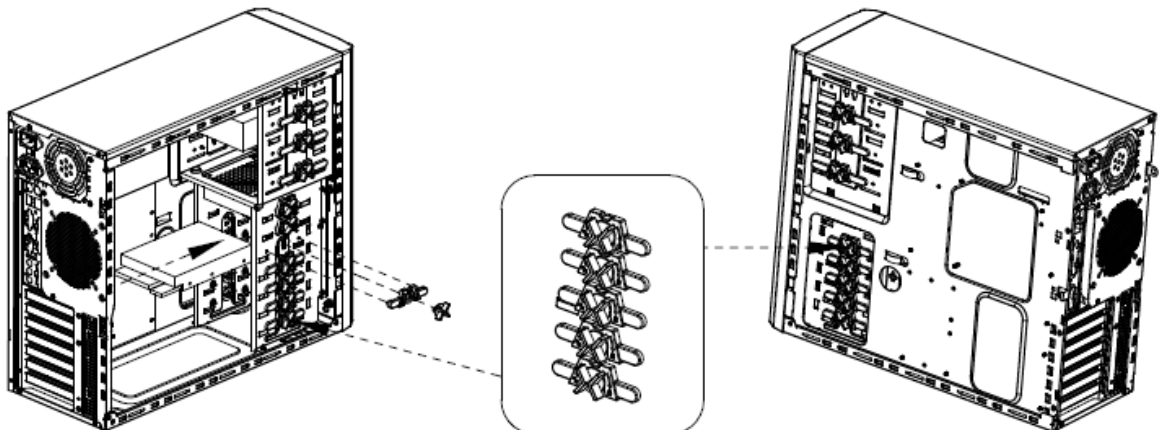
2. Installation of 3.5" Floppy

- Take off the front bezel, remove the drive bay slot panel and then put the front bezel back to the chassis
- Insert the 3.5" devices through the front and secure them with tool-free locks by clockwise direction



3. Installation of IDE and SATA Hard Drives

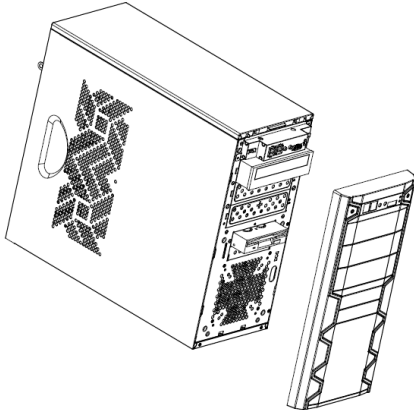
- Insert the hard drive into the HDD cage and secure them with tool-free locks by clockwise direction.



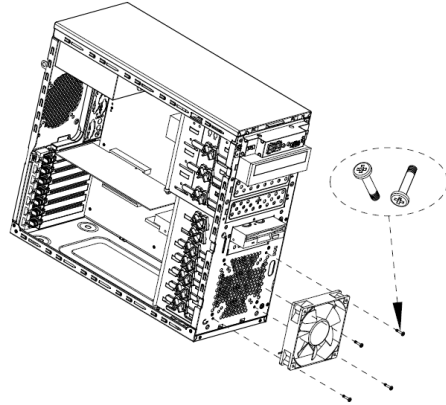
E. How to install or replace the Case Fans

1. Installation of the front case fan

- Take off the front bezel.

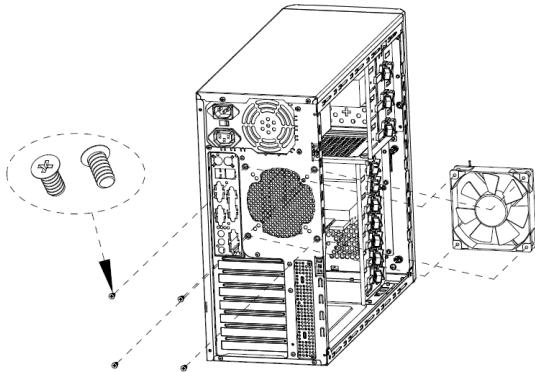


- Install or replace the 120mm case fan.



2. Installation of the rear case fan

- Install or replace the 120mm case fan.



F. Cable Management

- POWER WIRE



- REAR FAN WIRE

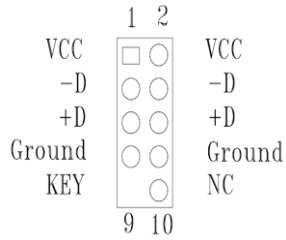


3. Front Connector Installation Guide:

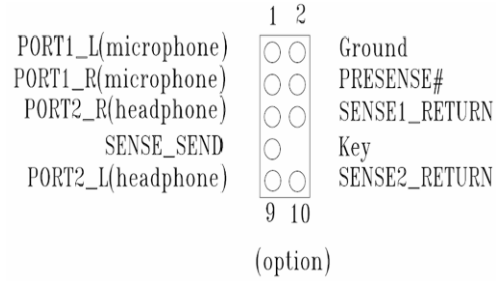
- Please refer to the illustration in the section of USB2.0, Audio and eSATA connector from the motherboard user manual. All the connectors were complying for Intel restriction.
- Never connect the USB 2.0 cable to Audio connector. Doing so will damage the device.

- On some motherboards, the connectors for USB2.0, Audio, and eSATA are not the same as the drawing below. Please check with your motherboard user manual before installing.
- eSATA connector operates when the motherboard supports.

Top panel USB connector



Azalia (Intel High Definition Audio)



Top panel eSATA connector

