

# 63FBHD-T product information sheet

## Product Specifications

**Fits most:** 37" - 63" flat panels

**Supports up to:** 200 lbs (90.7 kg)

**Tilt:** -5° to +15°

**Mounting profile:** 2.91" (74mm)

**Universal & VESA compliant:** 100x100 to 500x800

**Mounting:** Double-stud

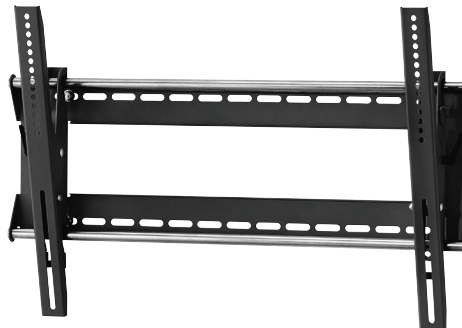
**UL listed:** Yes

**Warranty:** 5 years

**Color:** Black and Silver

## Product Benefits

- Tilt -5° to +15° to reduce glare
- Universal rails and extension rods for greater panel compatibility
- Lift n' Lock™ for quick installation
- Tension adjustment for variable tilt
- Sliding lateral on-wall adjustment
- Open architecture for easy trim out
- Locking system secures panel to mount
- Rail hooks are padded to avoid metal-on-metal contact and reduce vibration
- Installation template for simple and accurate mounting
- Includes complete Grade 5 hardware kit



All Fastback HD mounts come with an installation template to ensure a quick, easy and accurate installation



Recipient of the 2004 CEDIA  
Manufacturers' Excellence Award

## Series



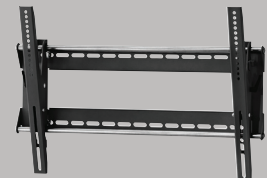
17FBHD-T



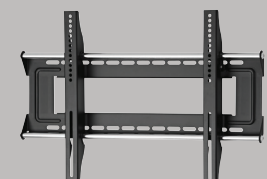
37FBHD-T



37FBHD-F



63FBHD-T



54FBHD-F



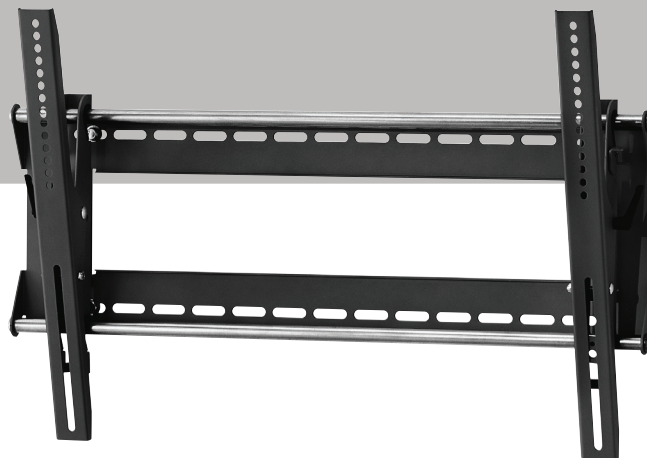
Dedicated to being a one-stop shop for professional products, OmniMount remains on the cutting edge of product innovation. That's why we're the natural choice for any professional, industrial or commercial application. As a step-up from the Fastbacks, the Fastback HD Series is a full line of fixed and tilt mounts offering simple and reliable universal mounting solutions for quick and easy installs. The 63FBHD-T is a solid choice for high-volume jobs requiring a heavy-duty universal large tilt mount.



# 63FBHD-T technical data sheet



Dedicated to being a one-stop shop for professional products, OmniMount remains on the cutting edge of product innovation. That's why we're the natural choice for any professional, industrial or commercial application. As a step-up from the Fastbacks, the Fastback HD Series is a full line of fixed and tilt mounts offering simple and reliable universal mounting solutions for quick and easy installs. The 63FBHD-T is a solid choice for high-volume jobs requiring a heavy-duty universal large tilt mount.



Black

Silver

## Product Specifications

**Fits most:** 37" - 63" flat panels

**Supports up to:** 200 lbs (90.7 kg)

**Tilt:** -5° to +15°

**Mounting profile:** 2.91" (74mm)

**Universal & VESA compliant:** 100x100 to 500x800

**Mounting:** Double-stud

**UL listed:** Yes

**Warranty:** 5 years

**Color:** Black and Silver

## Product Benefits

- Tilt -5° to +15° to reduce glare
- Universal rails and extension rods for greater panel compatibility
- Lift n' Lock™ for quick installation
- Tension adjustment for variable tilt
- Sliding lateral on-wall adjustment
- Open architecture for easy trim out
- Locking system secures panel to mount
- Rail hooks are padded to avoid metal-on-metal contact and reduce vibration
- Installation template for simple and accurate mounting
- Includes complete Grade 5 hardware kit

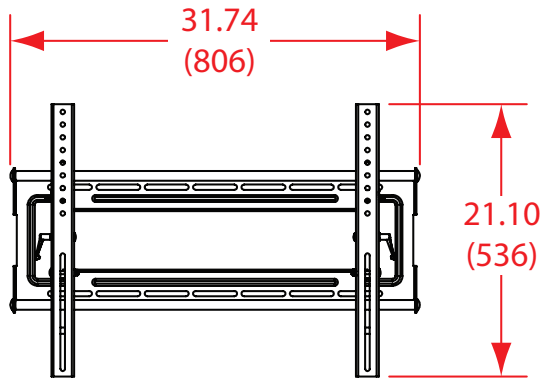
	Color	Stock Code	Packaging UPC	MC UPC
Americas	Black	1002801PRO	728901016271	NA
International	Black	NA	NA	NA
Americas	Silver	1002555PRO	728901016288	NA
International	Silver	NA	NA	NA

Box Contents	Qty
Wall plate	1
Vertical tilt rail	2
Horizontal extension rail	4
Vertical extension rail	2
Installation template	1

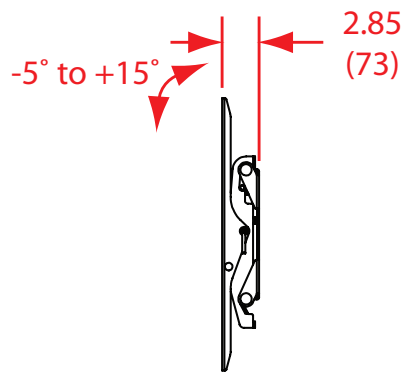
	Dimensions WxDxH inches (mm)	Wt lbs (kg)	Qty
Box	12.2 x 32.0 x 5.5 (310x835x104)	20.6 (9.3)	NA
MC	NA	NA	NA

Box Contents	Qty
Complete mount installation hardware kit	1
Complete panel attachment hardware kit	1
Instruction manual	1
Flat panel compatibility chart	1

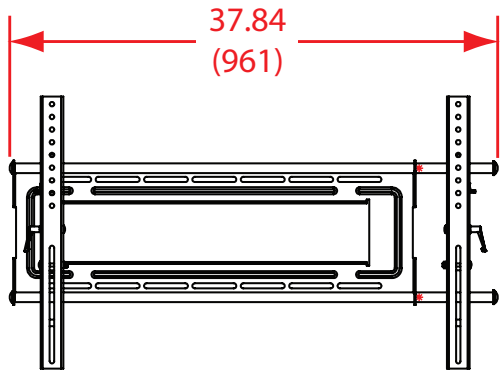
# 63FBHD-T line drawing



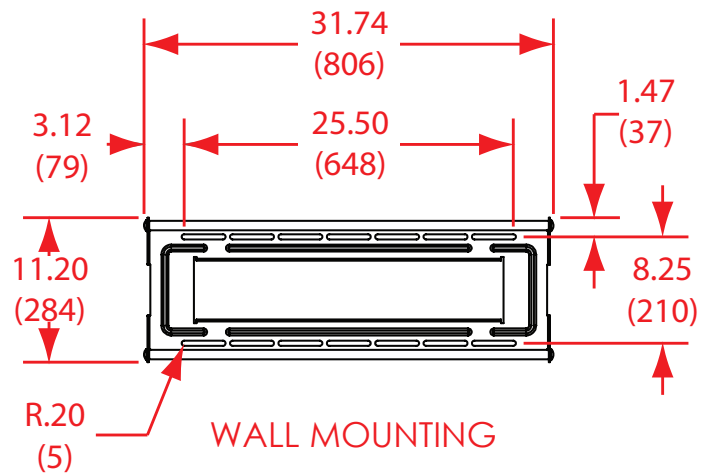
FRONT VIEW



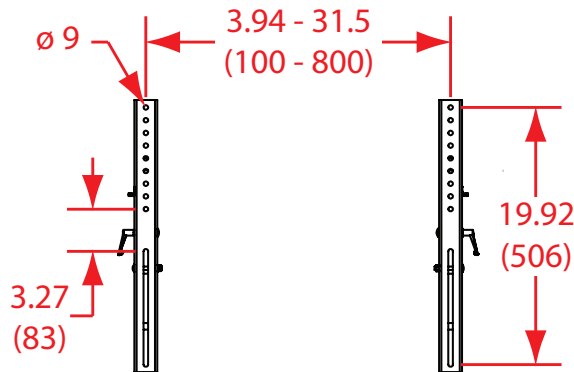
MOUNTING PROFILE



FRONT VIEW WITH EXTENSION RAILS



WALL MOUNTING



PANEL ATTACHMENT - VESA COMPATABILITY (mm)



inches (mm)

## Architects Specifications

The flat panel wall mount shall be an OmniMount model 63FBHD-T and shall be located where indicated on the plans. It shall be constructed of sheet metal with  $-5/+15^\circ$  adjustable forward tilt. Assembly and installation shall be done according to instructions provided by the manufacturer.