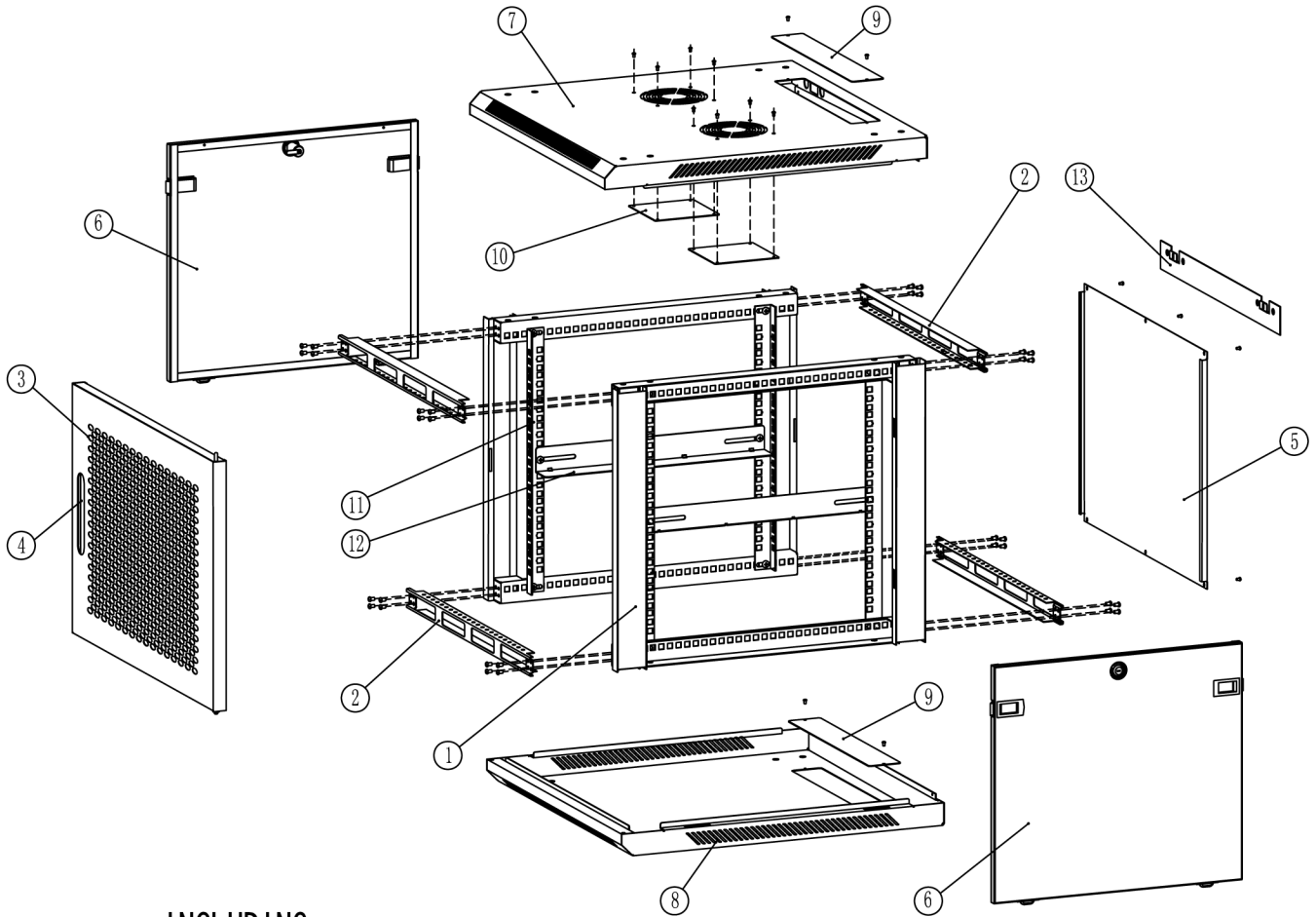


W-609 Mounting Instruction



INCLUDING:

ITEM	NAME	QTY	UNIT	REMARK
1	SIDE FRAME	2	PC	FIXED FOR STT5*10 SCREW(32PCS)
2	600 BEAM	4	PC	
3	FRONT DOOR	1	PC	PERFORATED DOOR (ONE DOOR BOLT FIXED WITH THE DOOR AHOTHER ONE IN THE SCREW PACK)
4	LOCK	1	PC	MS818
5	BACK PANEL	1	PC	FIXED FOR STT3. 5*6 SCREW(6PCS)
6	SIDE PANEL	2	PC	FAST OPEN BOLT
7	TOP COVER	1	PC	FIXED FOR M8*16 SCREW AND CAGENUT (8SETS)
8	BOTTOM COVER	1	PC	
9	CABLE ENTRACE COVER	2	PC	FIXED FOR STT3. 5*6 SCREW(2PCS)
10	FAN HOLE COVER	2	PC	FIXED FOR STT3. 5*6 SCREW(4PCS)
11	MOUNTING RAIL	4	PC	FIXED FOR M6*12 SCREW AND CAGENUT (2SETS)
12	L BRACKET	2/4	PC	FIXED FOR M6*12 SCREW AND CAGENUT (2SETS)
13	MOUNTING PANEL	1	PC	FIXED FOR STT3. 5*6 SCREW(2PCS)