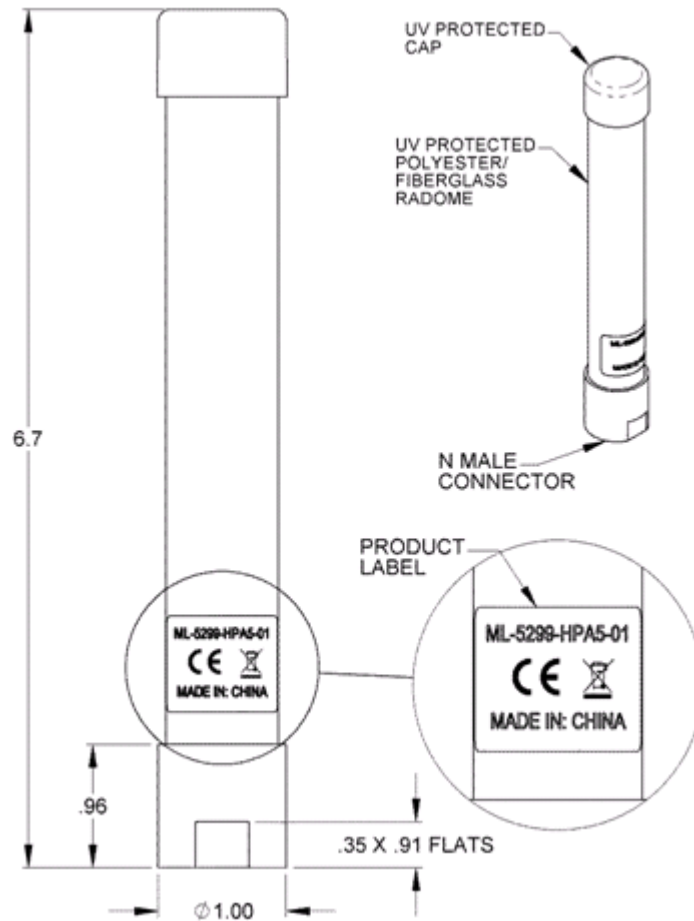


4.1.8 ML-5299-HPA5-01 Outdoor Dipole Omni N-Male



Type	Dipole Omni
Frequency	4900-5800
Gain (dBi)	5.6
Polarization	Linear, Vertical
Azimuth	3dB Beamwidth: 360°
Elevation	3dB Beamwidth: 22°
Cable Length (in.)	n/a
Cable Type	n/a
Connector Type	N-Type Male
Weight	73.8 grams
Plenum Antenna	No
Plenum Cable	n/a
Outdoor Rated	Yes

