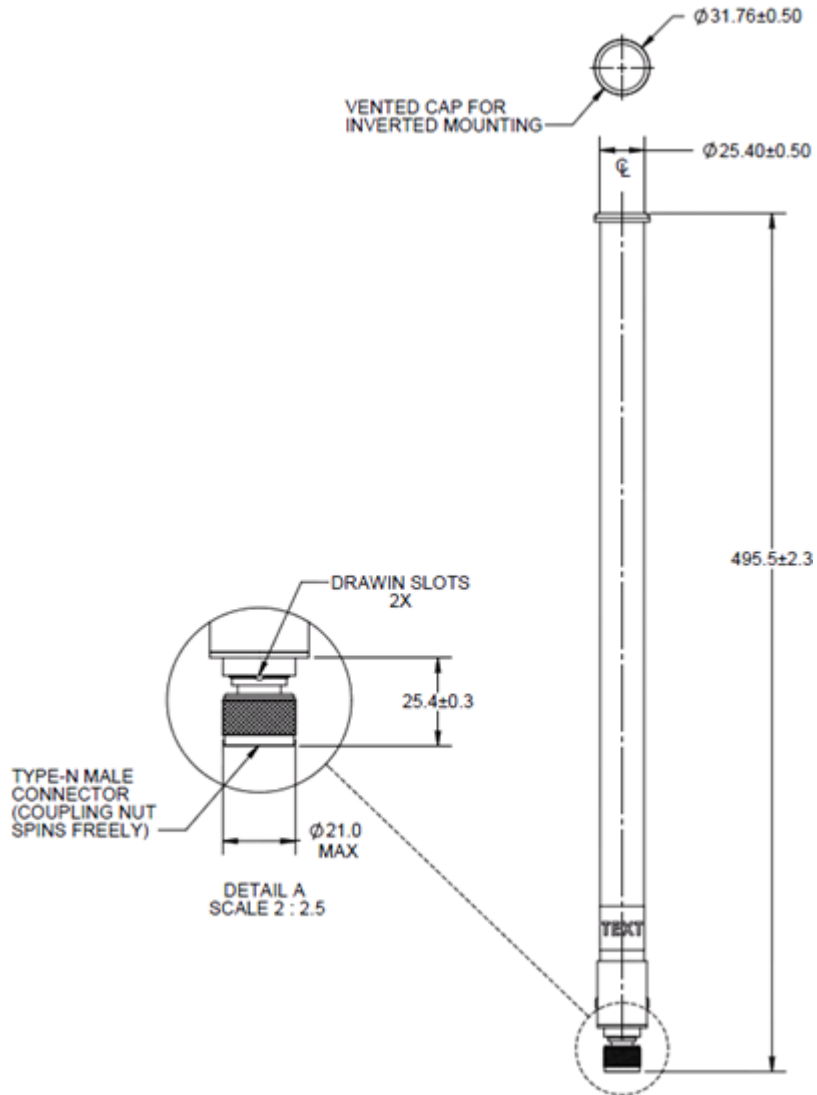


4.1.9 ML-5299-HPA10-01 Outdoor Dipole Omni N-Male



Type	Dipole Omni
Frequency	4900-5800
Gain (dBi)	10.5
Polarization	Linear, Vertical
Azimuth	3dB Beamwidth: 360°
Elevation	3dB Beamwidth: 8°
Cable Length (in.)	n/a
Cable Type	n/a
Connector Type	N-Type Male
Weight	0.4 lbs
Plenum Antenna	No
Plenum Cable	n/a
Outdoor Rated	Yes

