



INSTALLATION INSTRUCTIONS FOR PART 99-3002

APPLICATIONS CADILLAC/CHEVROLET/GMC (See Inside For Specific Applications)

99-3002 AT-300GM AW-300GM

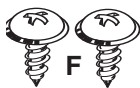
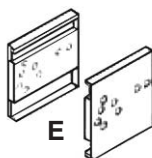
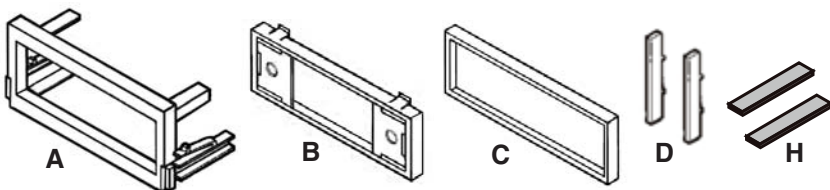
INSTALLATION INSTRUCTIONS

KIT FEATURES

- Shaft, DIN and ISO-DIN Unit Provisions
- Various Mounting Depth Alternatives

KIT COMPONENTS

- A) Radio Housing • B) Face Plate • C) Spacer • D) Snap Spacers • E) ISO-DIN Brackets
- F) (2) #6 Self Tapping Screws • G) (4) 5mm Flat Head Screws • H) Tape Strips



WIRING AND ANTENNA CONNECTIONS (SOLD SEPARATELY)

HARNES:

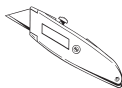
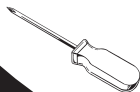
- 70-1858 - GM harness 87-05

ANTENNA ADAPTER:

- 40-GM10 - GM antenna adapter 88-up

TOOLS REQUIRED:

- Phillips Screwdriver • Socket Wrench • Cutting Tool



1-800-221-0932



www.metraonline.com

© COPYRIGHT 2001-2009 METRA ELECTRONICS CORPORATION

TABLE OF CONTENTS

Kit Preparation 1,2,3

Kit Assembly and Final Assembly

Shaft Head Unit Mount Radio Provision4,5,6

DIN Head Unit Mount Radio Provision

***Note:**

Refer also to the instructions included with the aftermarket radio.

APPLICATIONS

CADILLAC

Escalade 1999-2002
EXT 2002

CHEVROLET

Astro 1996-2005
Avalanche 2002
Express (Full size van) 1996-2000
Pickup (C-Series) 1995-2000
Silverado 1999-2002
Suburban 1995-2002
Tahoe 1995-2002

GMC

Safari 1996-1995
Savana 1996-2000
Sierra 1995-2002
Suburban 1995-2002
Tahoe 1995-2002
Yukon (All) 1995-2002



KNOWLEDGE IS POWER

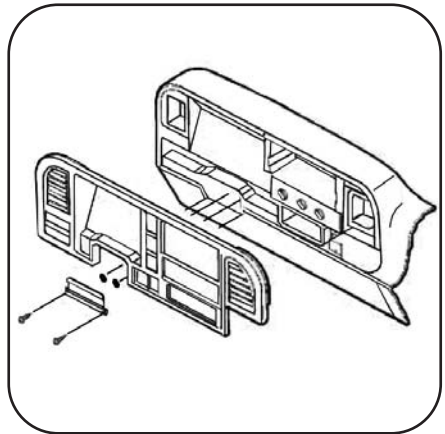
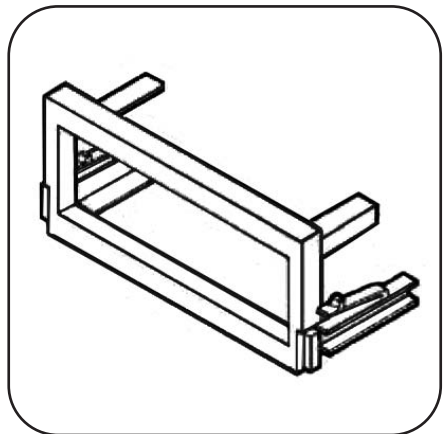
Enhance your installation and fabrication skills by enrolling in the most recognized and respected mobile electronics school in our industry. Log onto www.installerinstitute.com or call 800-354-6782 for more information and take steps toward a better tomorrow.

CADILLAC**Escalade 1999-2002 / EXT 2002****CHEVROLET****Avalanche/Pickup/Suburban/Tahoe 1995-2002****Silverado 1999-2002****GMC****Sierra/Suburban/Yukon 1995-2002**

- 1 Disconnect the negative battery terminal to prevent an accidental short circuit. Remove the steering column filler panel and the ashtray. Unclip the dash trim bezel and remove. Using a small flat-blade screwdriver, press down on the outer clips of the factory head unit (or pocket). Disconnect the wiring and remove the unit.

(See Fig. A)

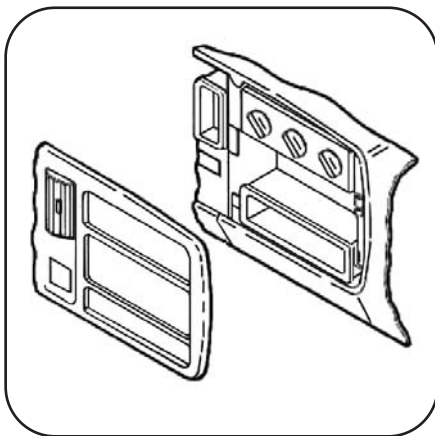
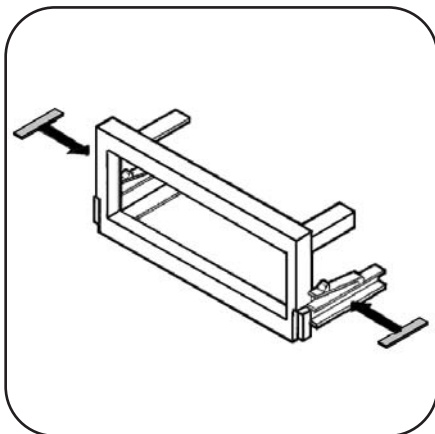
- 2 Locate the Radio Housing. Skip to the Installation Instructions for ALL VEHICLES on Page #4.

A**B**

CHEVROLET
Express
GMC
Savana 1996-2002

1 Disconnect the negative battery terminal to prevent an accidental short circuit. Remove the steering column filler panel and the ashtray. Unclip the dash trim bezel and remove. Using a small flat-blade screwdriver, press down on the outer clips of the factory head unit (or pocket). Disconnect the wiring and remove the unit. *(See Fig. A)*

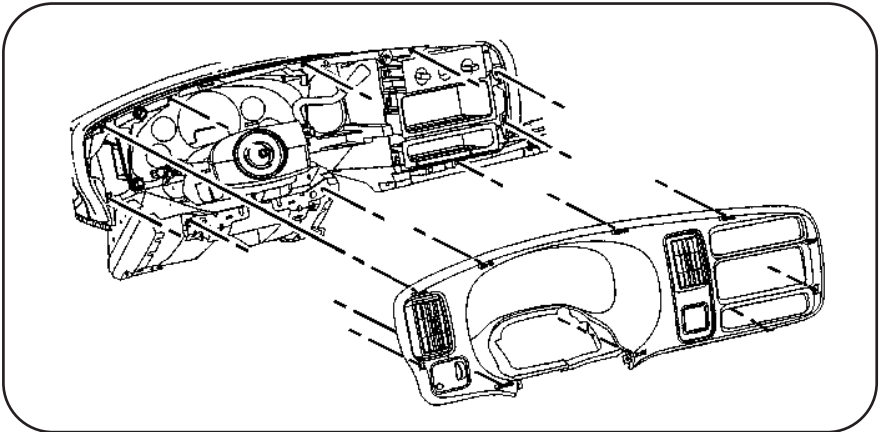
2 Locate the Radio Housing. Skip to the Installation Instructions for ALL VEHICLES on Page #4.

A**B**

CHEVROLET
Astro
GMC
Safari 1996-2005

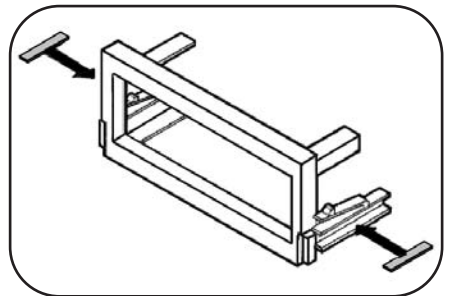
- 1 Disconnect the negative battery terminal to prevent an accidental short circuit. Place the gear selector in its lowest position. Unclip the perimeter of the dash trim bezel. Disconnect the rear a/c control harness and the headlight switch from the back of the dash trim bezel and remove the bezel. Using a flat-blade screwdriver press down on the outside clips of the factory head unit and remove. **(See Fig. A)**

A



B

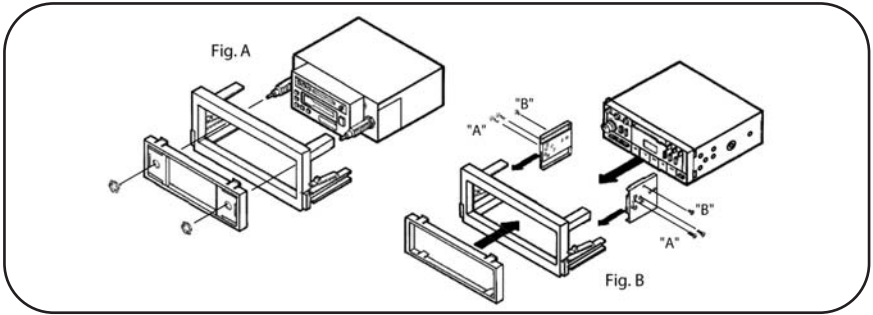
- 2 Peel away the paper backings from the Tape Strips and stick the Strips to the lower shelves of the mounting clips. Skip to the Installation Instructions for ALL VEHICLES on Page #4.



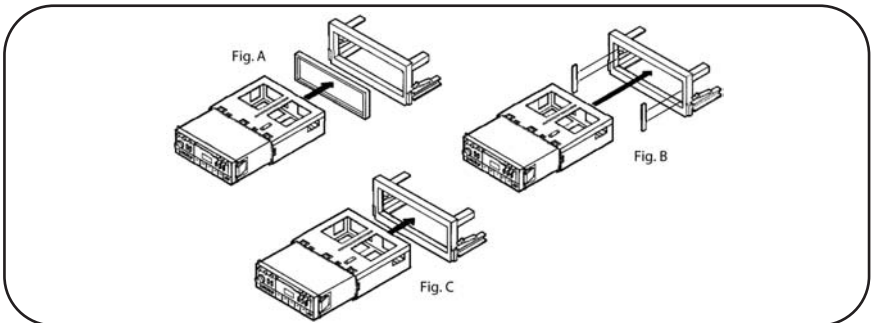
ALL VEHICLES

2-SHAFT HEAD UNITS: Snap the Faceplate into the Radio Housing. Slide the aftermarket head unit into the kit and secure with shaft nuts. **(See Fig. A)**

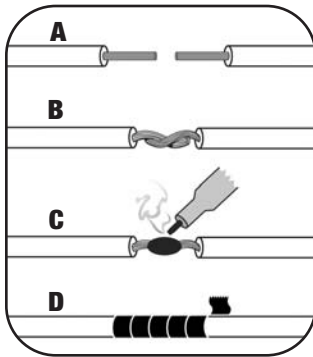
ISO DIN HEADS UNITS: Cut and remove the shaft supports from the Faceplate. Snap the Faceplate into the Radio Housing. Slide the aftermarket head unit into the back of the kit. Slide the ISO-DIN Brackets onto the Housing legs and align the holes in the Brackets with the holes in the unit. Mount the Brackets to the unit with (4) 5mm Flat-head Screws supplied ("A"). Mount the Brackets to the top of the Housing legs with (2) #6 Self-tapping Screws ("B"). **(See Fig. B)**



DIN HEAD UNITS: If a surface-mount installation is desired, cut and remove the shaft supports from the Faceplate. Snap the Faceplate into the Radio Housing. Slide the DIN cage into the kit and secure by bending the metal locking tabs down. Slide the aftermarket head unit into the cage until secure. **(See Fig. A)**. If an intermediate-mount installation is desired, attach the Snap Spacers to the outer walls of the radio opening. Slide the DIN cage into the Radio Housing and secure by bending the metal locking tabs down. Slide the aftermarket head unit into the cage until secure. **(See Fig. B)**. If flush-mount installation is desired, slide the DIN cage into the Radio Housing and secure by bending the metal locking tabs down. Slide the aftermarket head unit into the cage until secure. **(See Fig. C)**



FINAL ASSEMBLY



(A) Strip wire ends back 1/2"

B) Twist ends together

C) Solder

D) Tape

- 1 Locate the factory wiring harness in the dash. Metra recommends using the proper mating adapter and making connections as shown. (Isolate and individually tape off the ends of any unused wires to prevent electrical short circuit.)
- 2 Re-connect the negative battery terminal and test the unit for proper operation.
- 3 Reassemble radio and dash assemblies in reverse order of disassembly.

FINAL WIRING CONNECTIONS

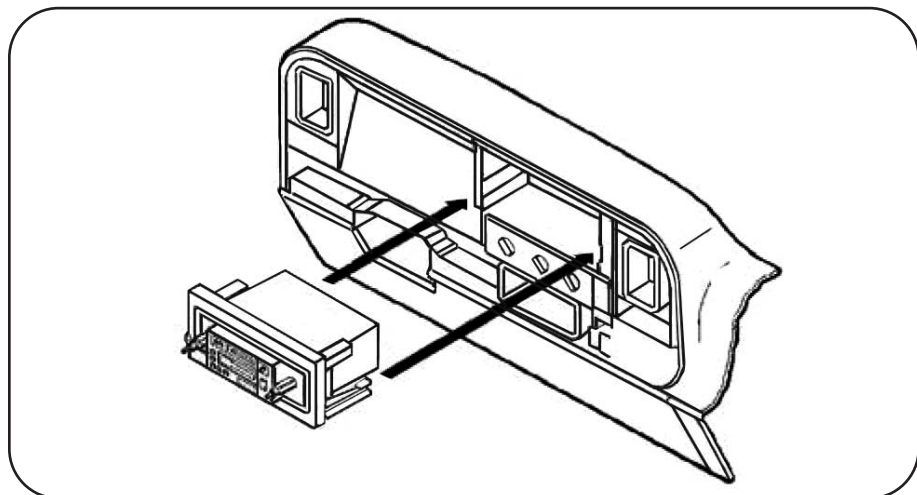
Make wiring connections using the EIA color code chart shown below and the instructions included with the head unit. Metra recommends making connections as shown below; Strip, Splice, Solder, Tape. Isolate and individually tape off ends of any unused wires to prevent electrical short circuit.

METRA / EIA WIRING CODE

12V Ignition / Acc.	Red	Right Front (+)	Gray
12V Batt / Memory	Yellow	Right Front (-)	Gray/ Black
Ground	Black*	Left Front (+)	White
Power Antenna	Blue	Left Front (-)	White / Black
Amp Turn-On	Blue / White	Right Rear (+)	Violet
Amp Ground	Black / White	Right Rear (-)	Violet / Black
Illumination	Orange	Left Rear (+)	Green
Dimmer	Orange / White	Left Rear (-)	Green / Black

***NOTE:** When a Black wire is not present, ground radio to vehicle chassis.
All colors may not be present on all leads due to manufacturer's specifications.

ALL VEHICLES



Re-connect the battery terminal and test the unit for proper operation. Mount the head unit/kit assembly to the sub-dash with those screws previously removed.
Enjoy your newly installed radio!



1-800-221-0932



www.metraonline.com